



US00D816930S

(12) **United States Design Patent**
Komaragiri et al.

(10) **Patent No.:** **US D816,930 S**

(45) **Date of Patent:** **** May 1, 2018**

(54) **VACUUM ATTACHMENT**

(71) Applicant: **SHARKNINJA OPERATING LLC**,
Newton, MA (US)

(72) Inventors: **Vasudev V. Komaragiri**, Hopkinton,
MA (US); **Zenas Lu**, Cambridge, MA
(US)

(73) Assignee: **SharkNinja Operating LLC**,
Needham, MA (US)

(**) Term: **15 Years**

(21) Appl. No.: **29/540,319**

(22) Filed: **Sep. 23, 2015**

(51) **LOC (11) Cl.** **15-05**

(52) **U.S. Cl.**
USPC **D32/33**

(58) **Field of Classification Search**
USPC D32/31-33, 17
CPC .. D06F 87/00; A47L 5/24; A47L 11/34; A47L
11/4044; A47L 11/4086; A47L 9/02;
A47L 9/0461; A47L 9/0693; A47L 9/06;
A47L 7/009
See application file for complete search history.

(56) **References Cited**

U.S. PATENT DOCUMENTS

D470,633 S *	2/2003	Kitts	D32/33
D519,696 S *	4/2006	Adams	D32/33
D520,202 S *	5/2006	Dyson	D32/33
D590,112 S *	4/2009	Sun	D32/32
2005/0022336 A1 *	2/2005	Overvaag	A47L 9/0673 15/400
2013/0145576 A1 *	6/2013	Hollis	A47L 9/06 15/368

* cited by examiner

Primary Examiner — Ruth McInroy

(74) *Attorney, Agent, or Firm* — Grossman Tucker
Perreault & Pflieger, PLLC

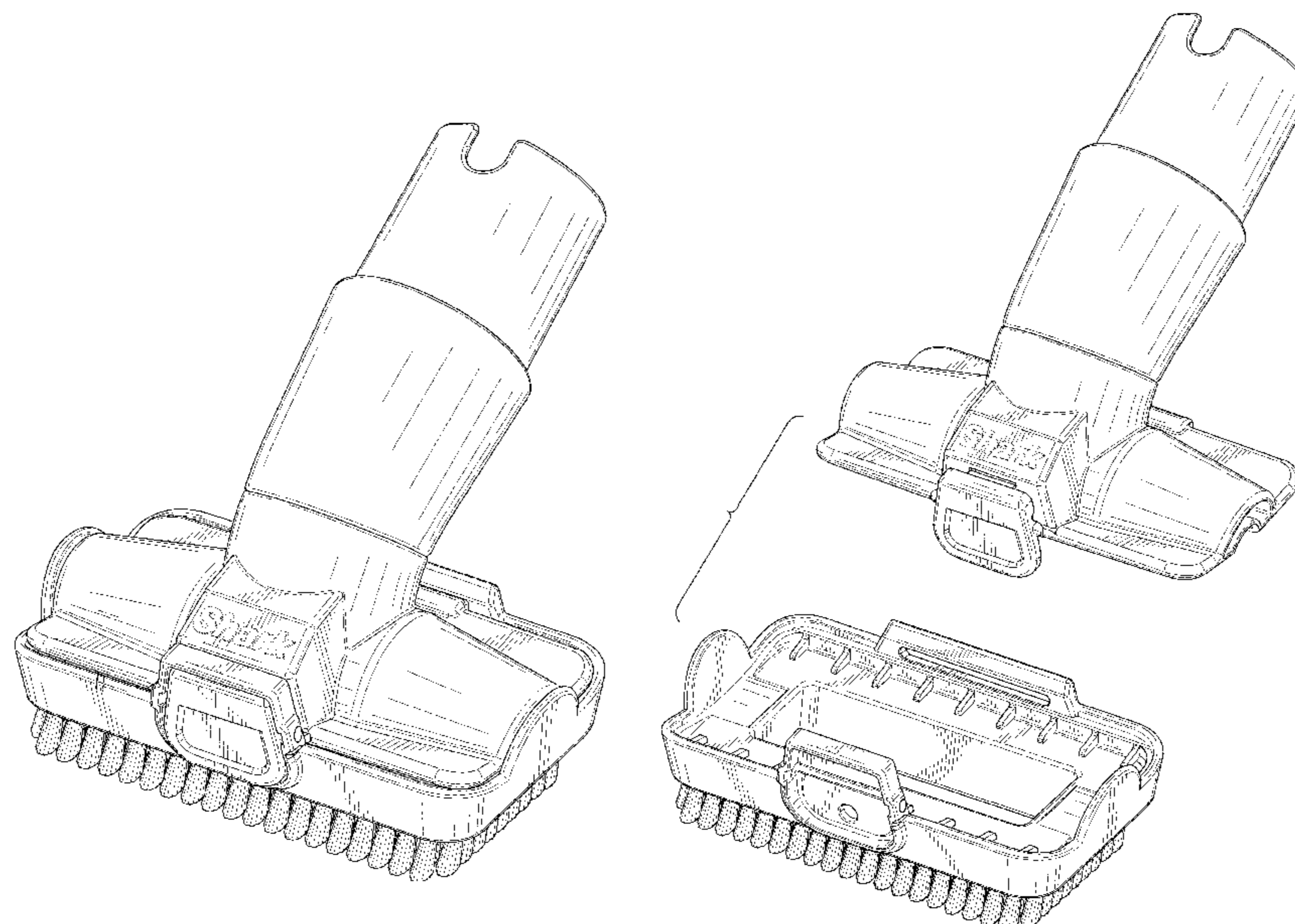
(57) **CLAIM**

We claim the ornamental design for a vacuum attachment, as shown and described.

DESCRIPTION

FIG. 1 is a top perspective view of a vacuum attachment in accordance with the present invention;
 FIG. 2 is a top plan view thereof;
 FIG. 3 is a bottom plan view thereof;
 FIG. 4 is a right side view thereof;
 FIG. 5 is a left side view thereof;
 FIG. 6 is a rear view thereof;
 FIG. 7 is a bottom perspective view thereof;
 FIG. 8 is a top perspective view of the vacuum attachment disassembled with a top portion detached from a bottom portion;
 FIG. 9 is a top view of the disassembled vacuum attachment shown in FIG. 8;
 FIG. 10 is a bottom view of the disassembled vacuum attachment shown in FIG. 8;
 FIG. 11 is a right side view of the disassembled vacuum attachment shown in FIG. 8;
 FIG. 12 is a left side view of the disassembled vacuum attachment shown in FIG. 8; and
 FIG. 13 is a rear view of the disassembled vacuum attachment shown in FIG. 8; and,
 FIG. 14 is a bottom perspective view of the disassembled vacuum attachment shown in FIG. 8.
 The broken lines are included for the purpose of illustrating the unclaimed portions of the article and form no part of the claim.

1 Claim, 14 Drawing Sheets



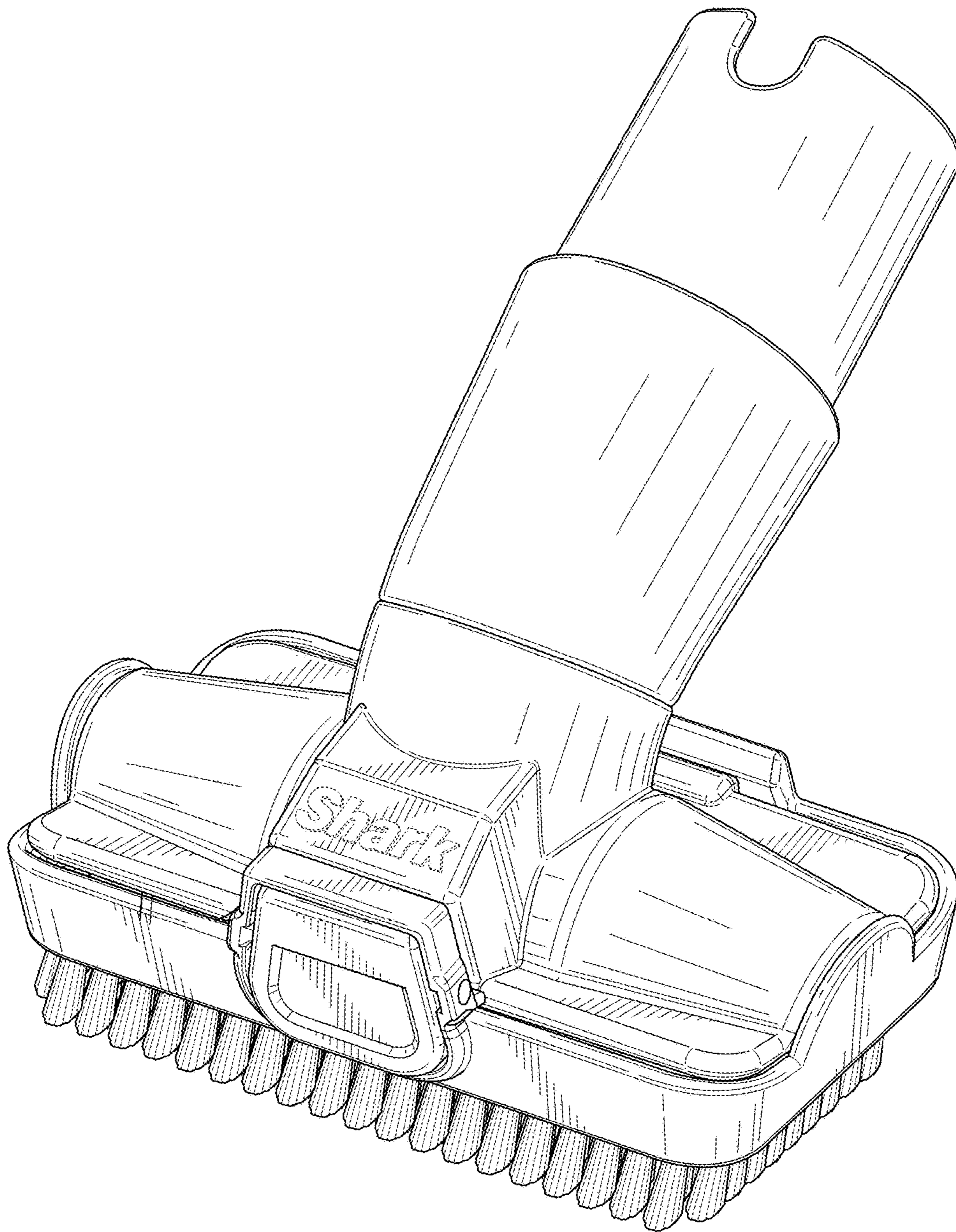


FIG. 1

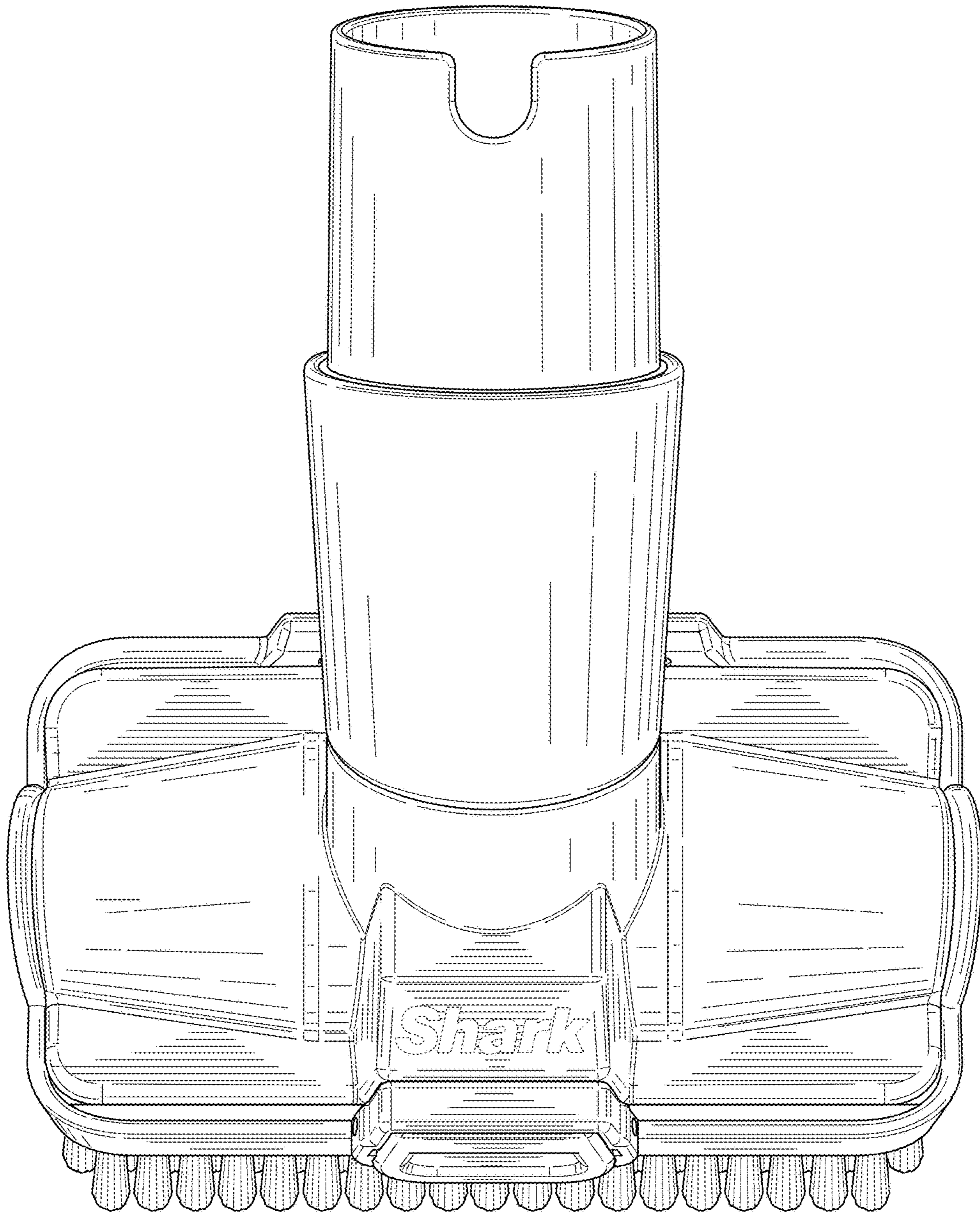


FIG. 2

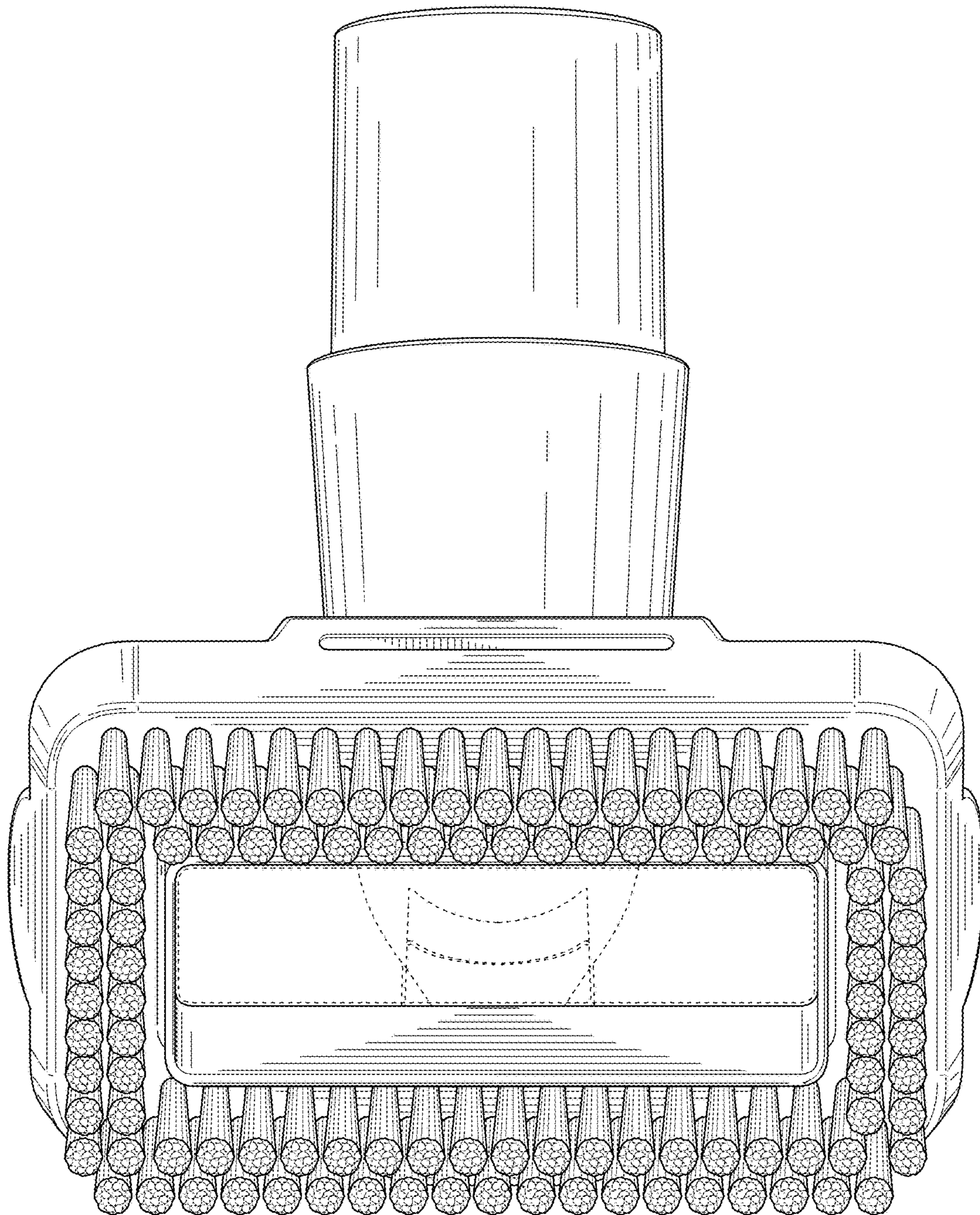


FIG. 3

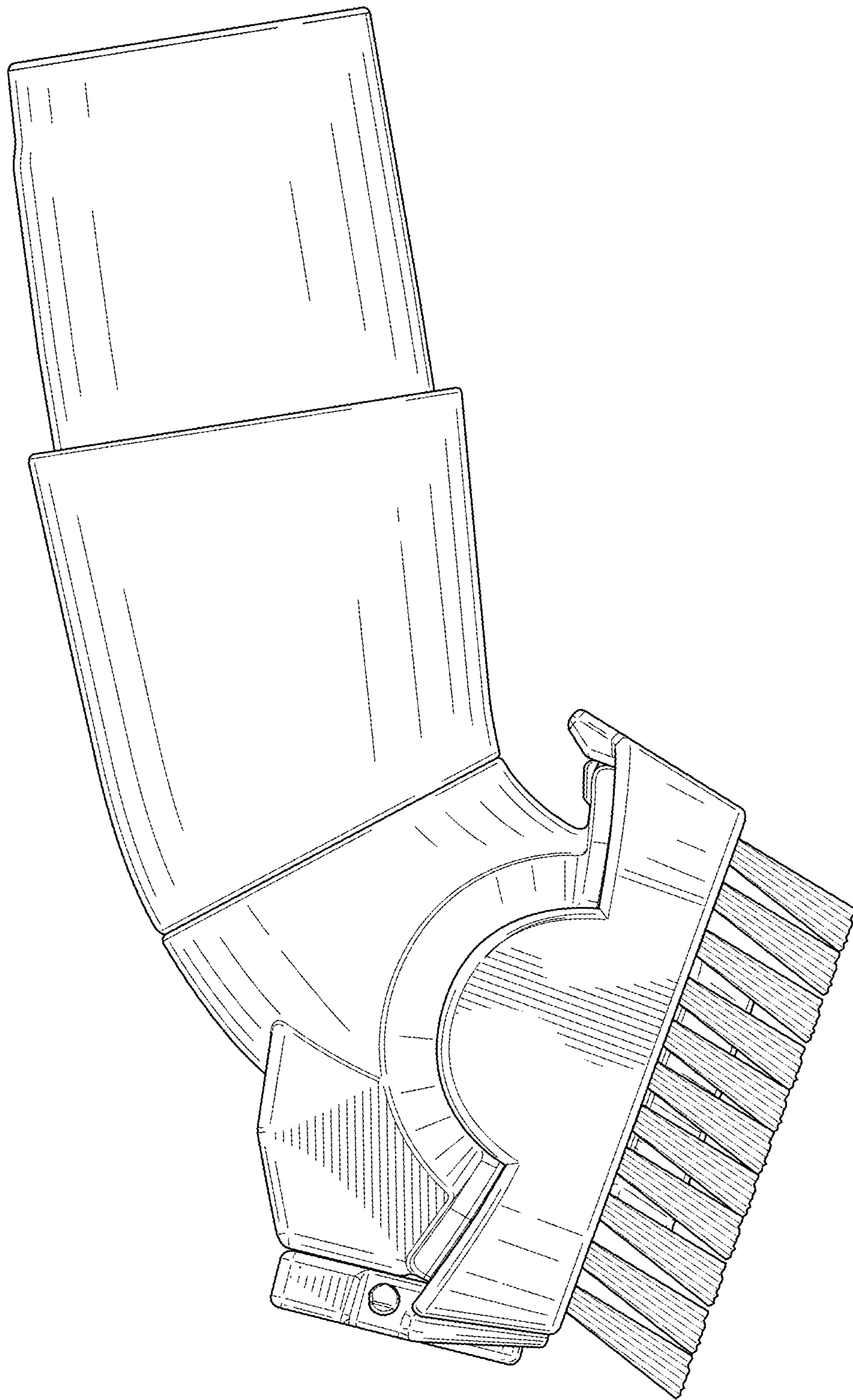


FIG. 4

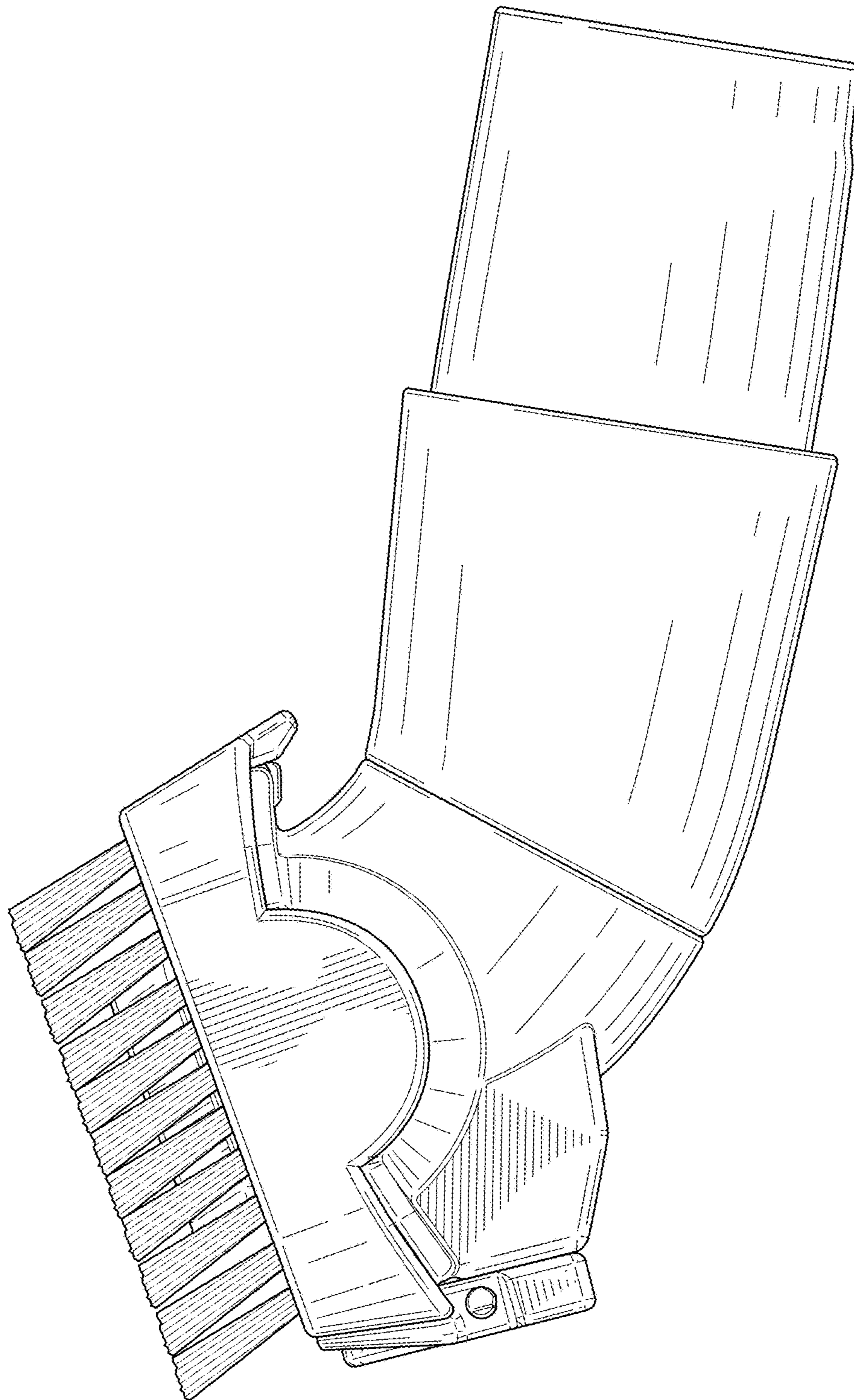


FIG. 5

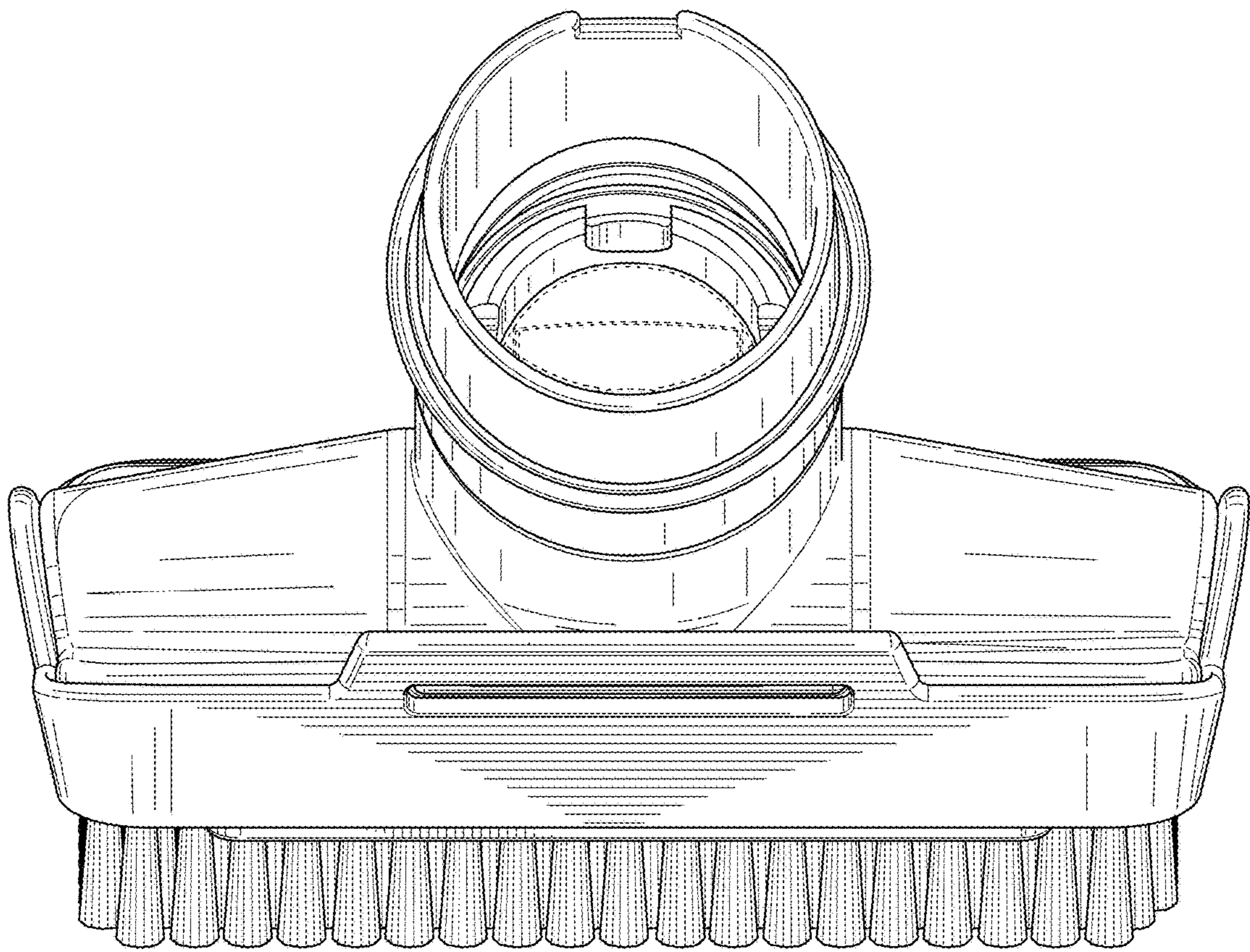


FIG. 6

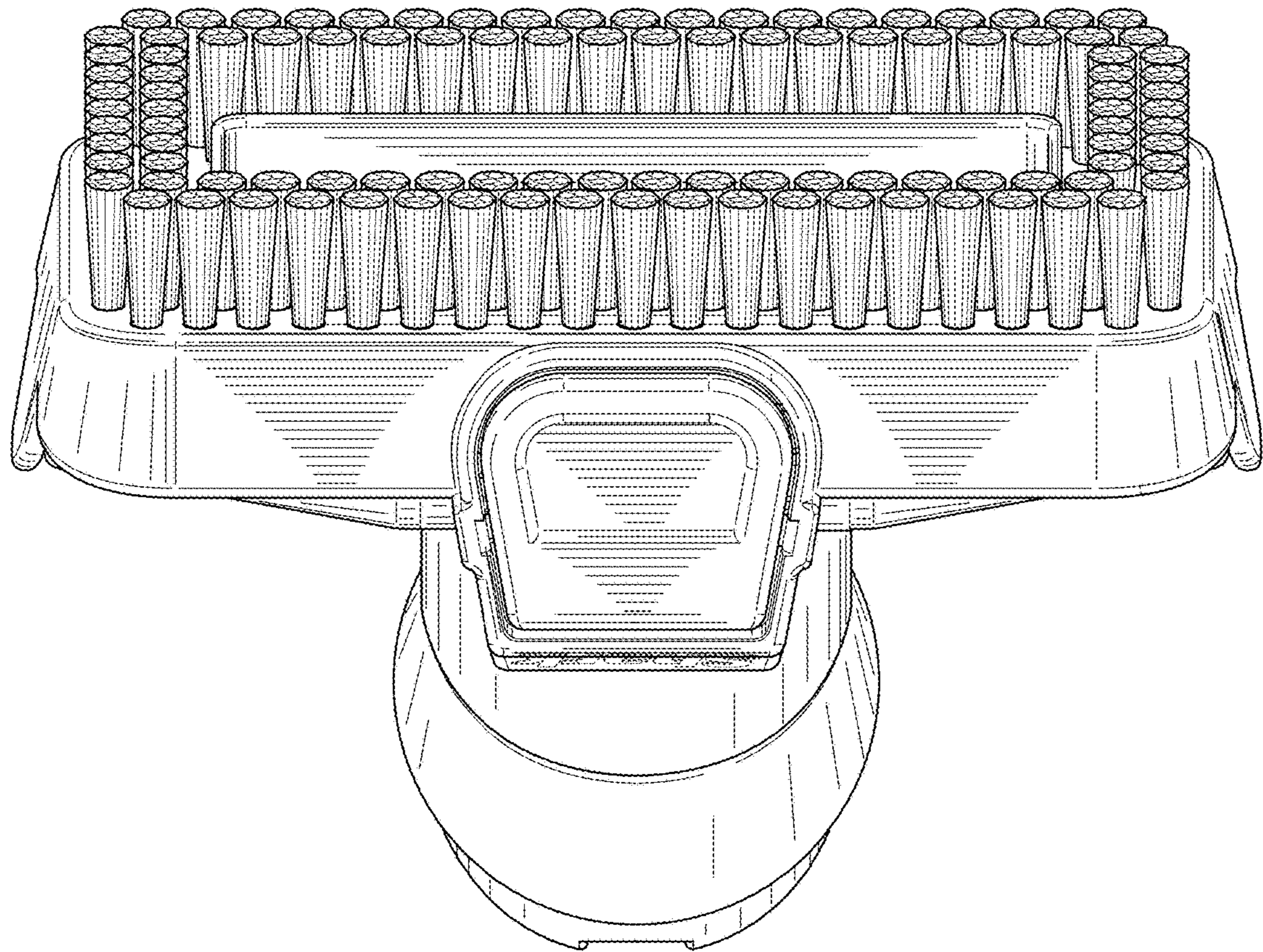
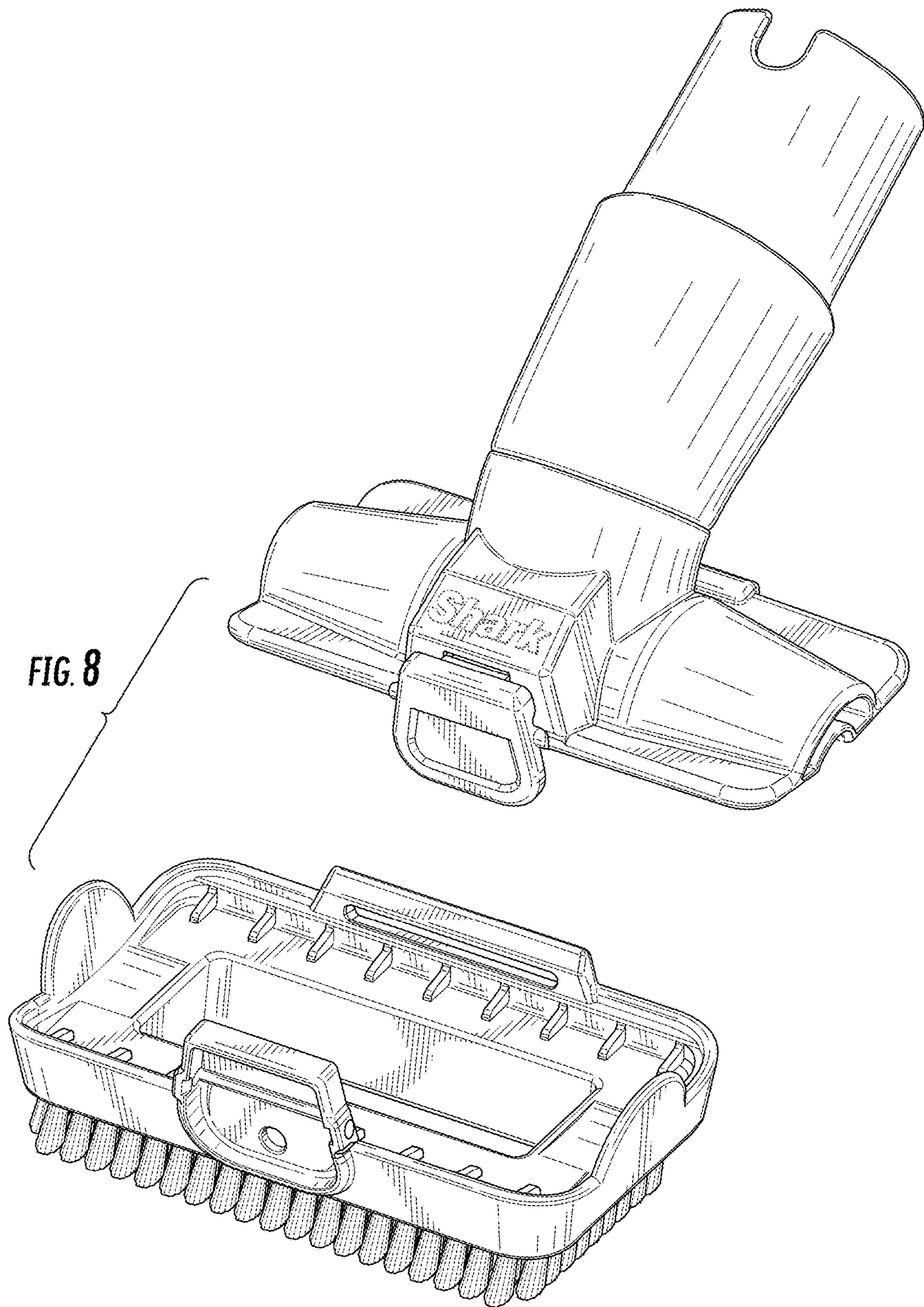
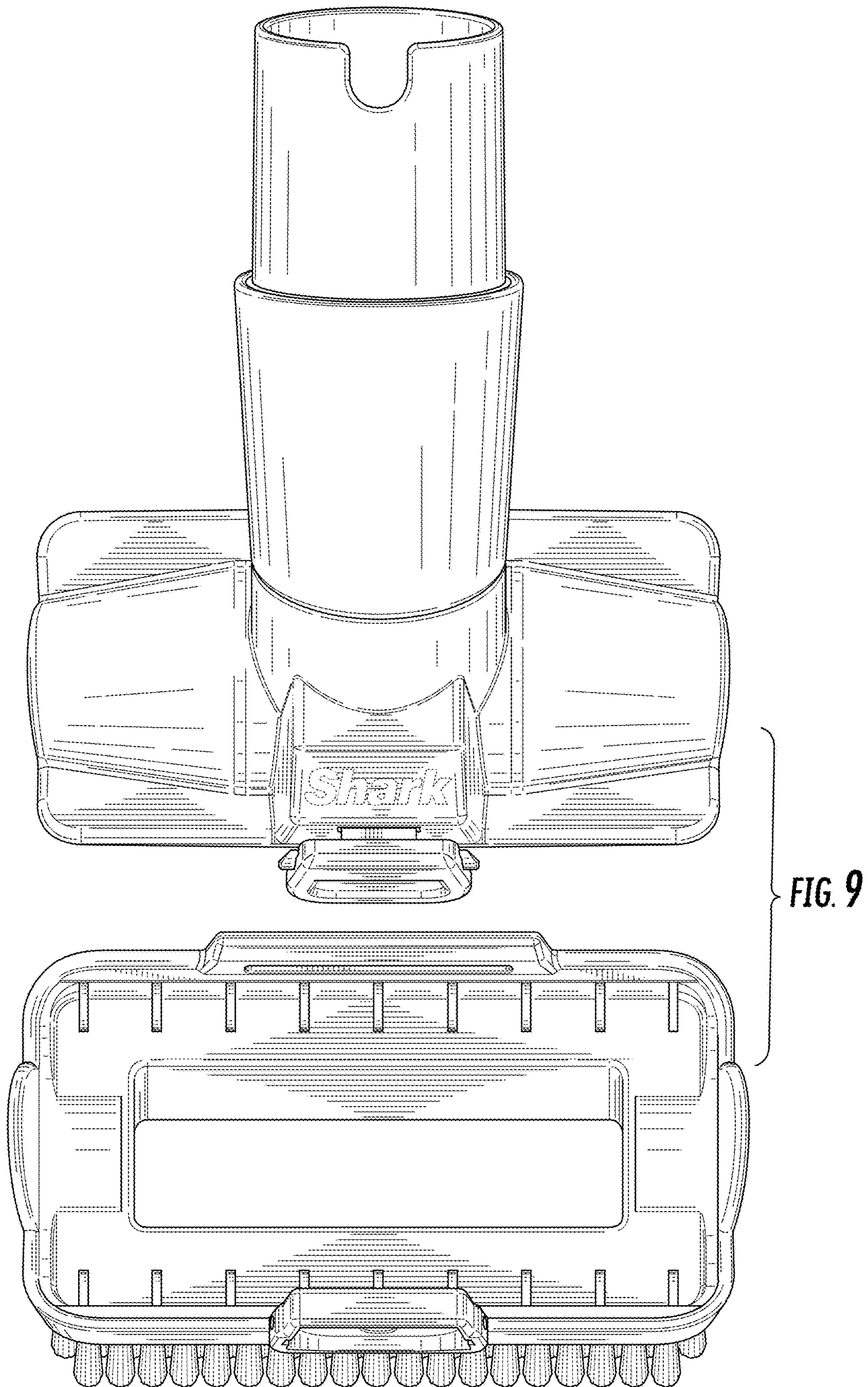


FIG. 7





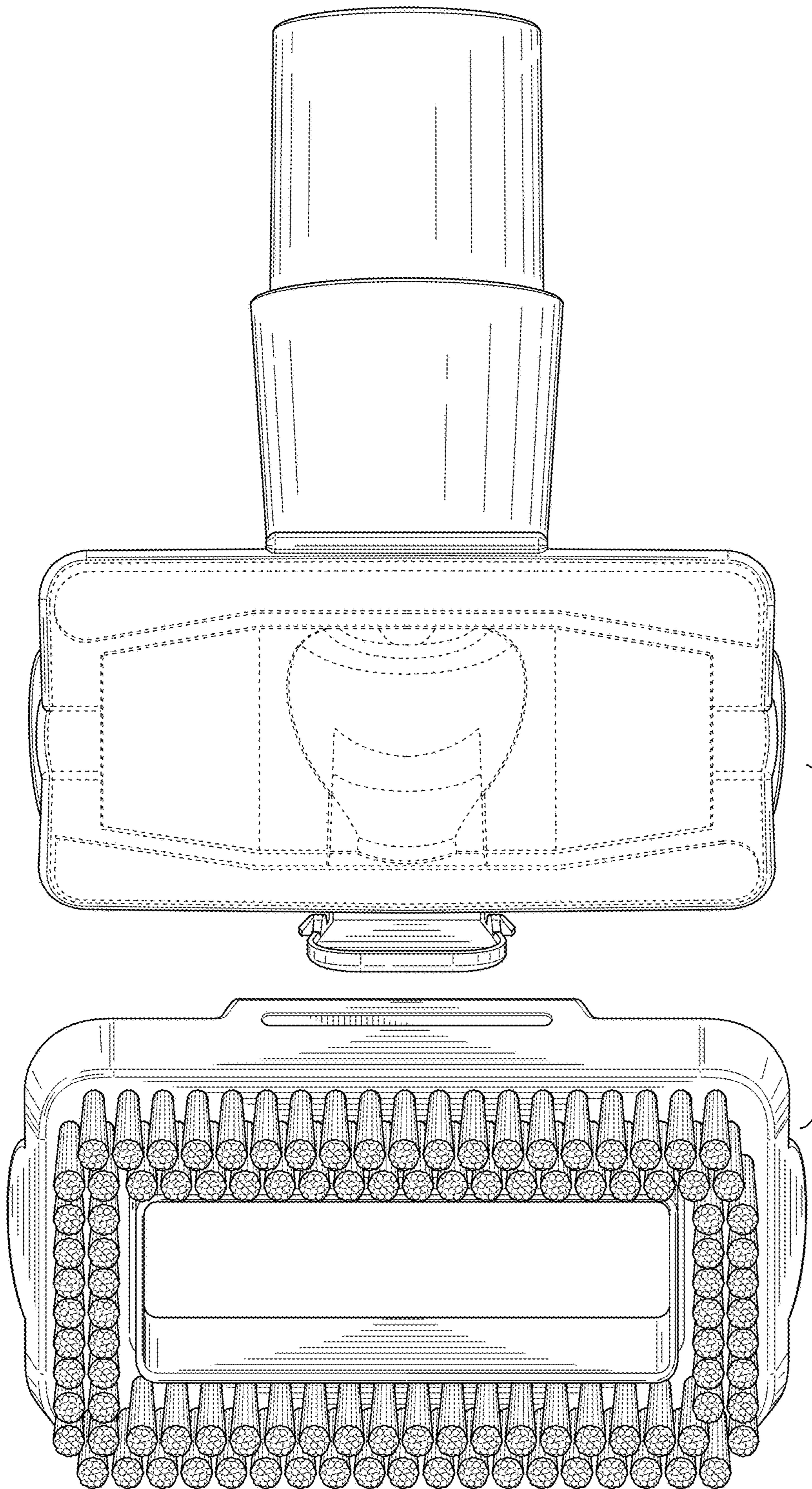


FIG. 10

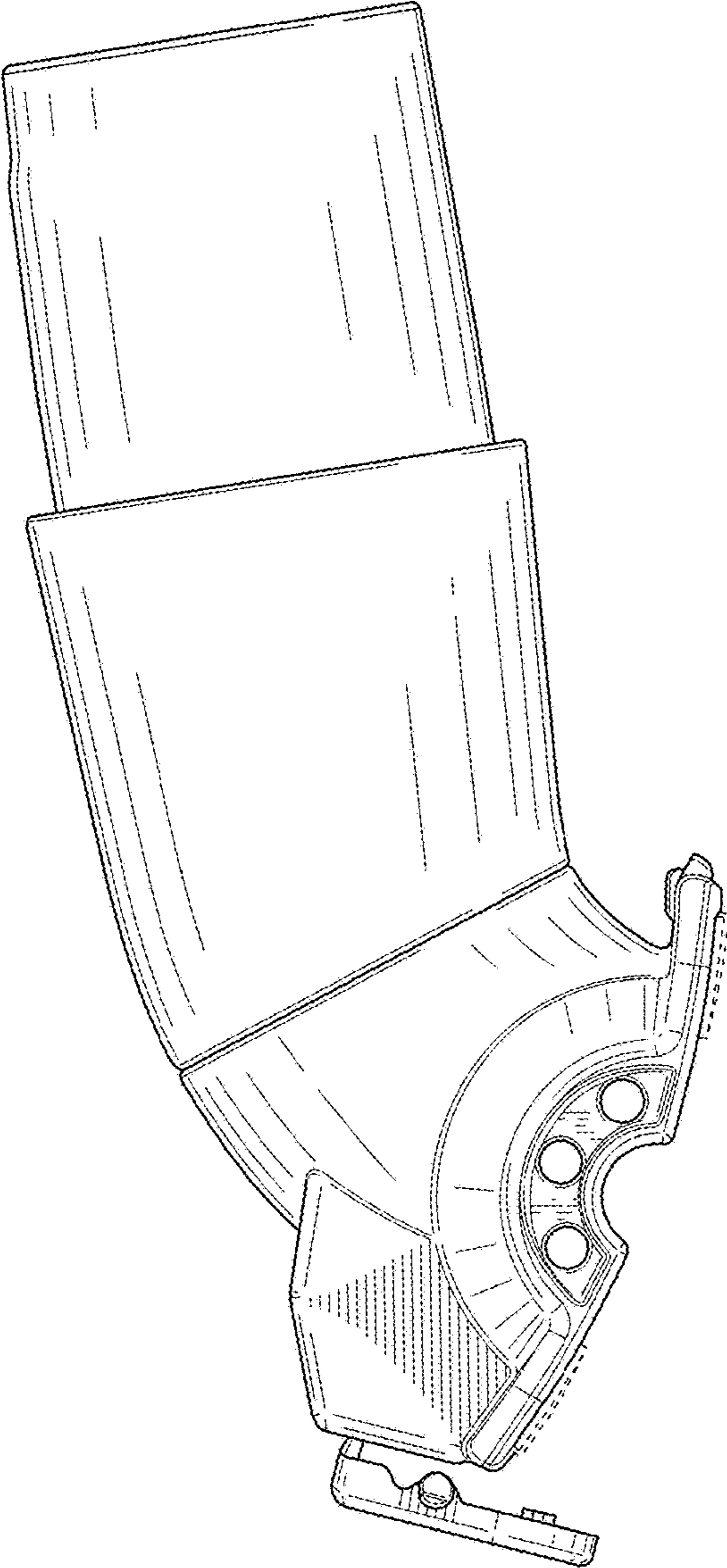


FIG. 11

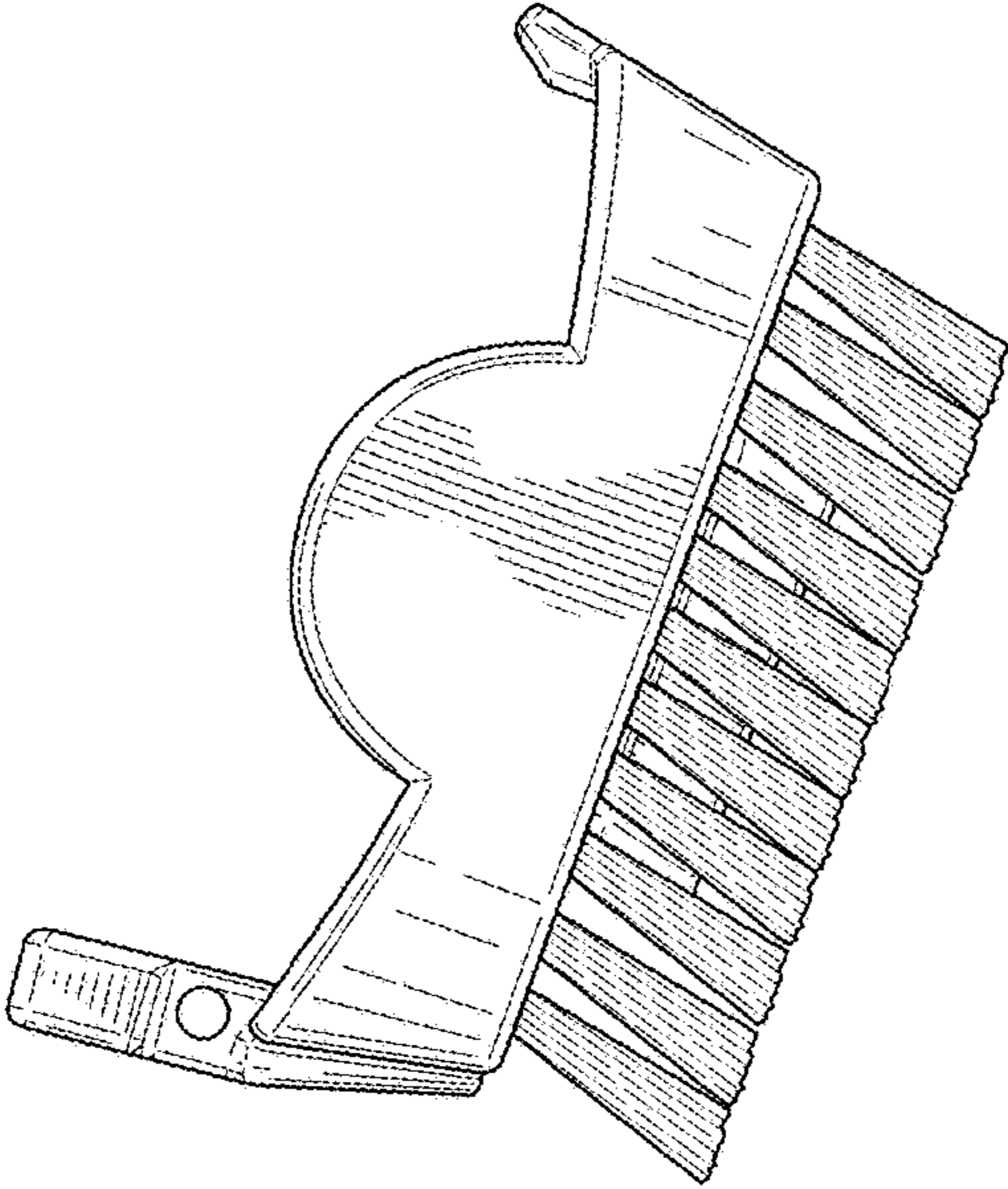
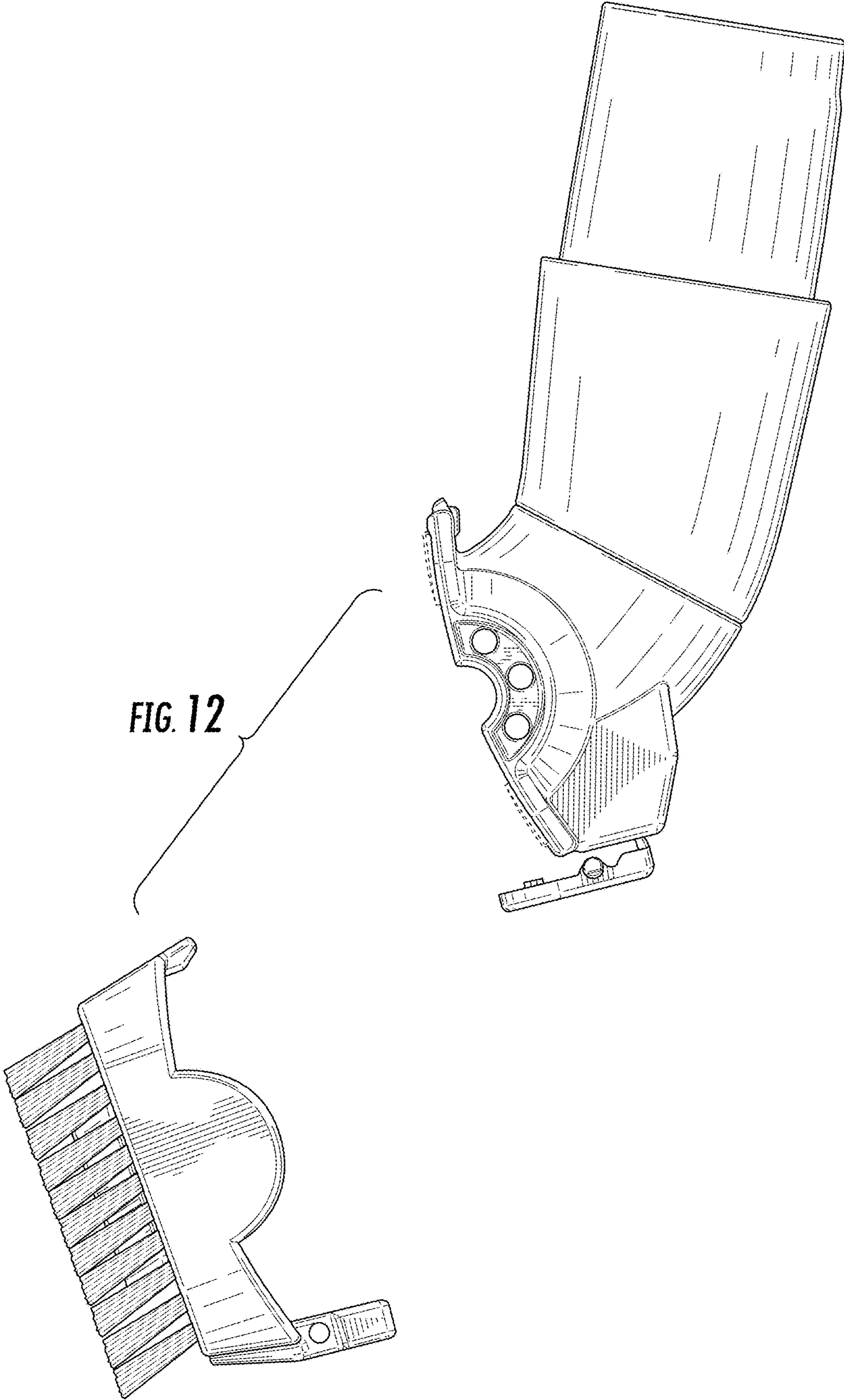
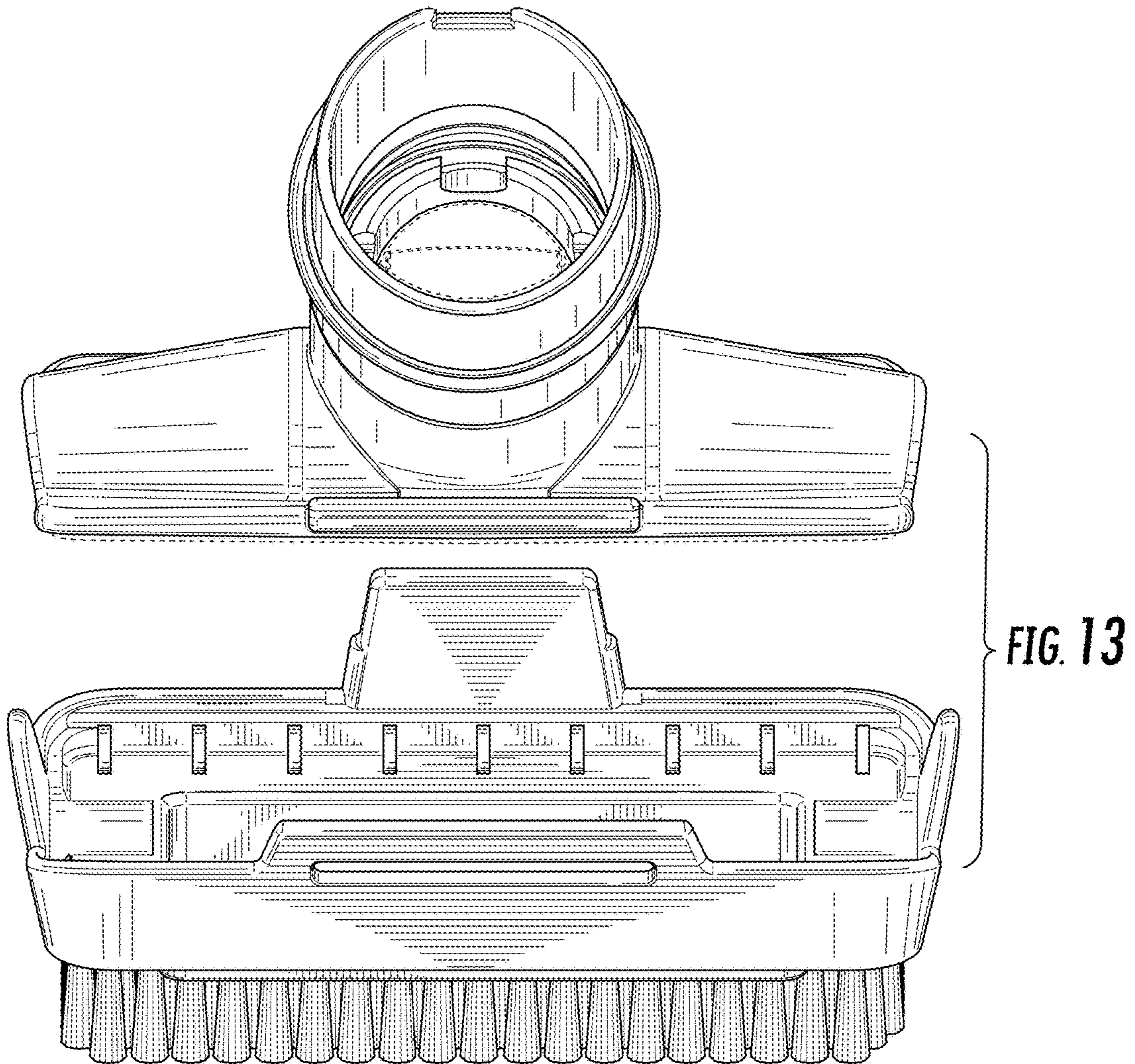


FIG. 12





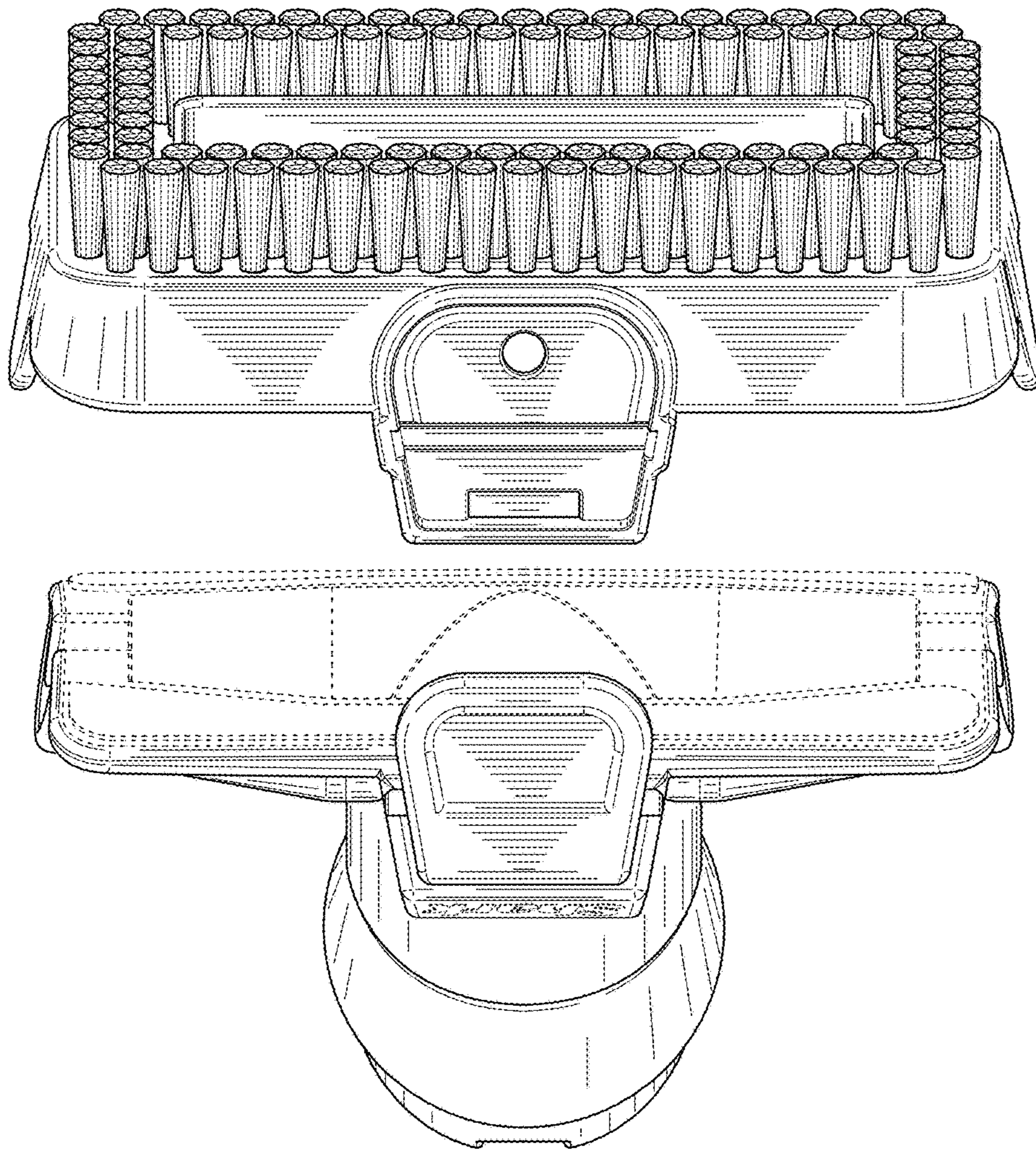


FIG. 14