



US00D816929S

(12) **United States Design Patent**
Charest

(10) **Patent No.:** **US D816,929 S**

(45) **Date of Patent:** **** May 1, 2018**

(54) **ROLLER ARRANGEMENT ON A VACUUM HEAD OF A VACUUM CLEANER**

(71) Applicant: **Ronald Charest, Saint-Basile (CA)**

(72) Inventor: **Ronald Charest, Saint-Basile (CA)**

(**) Term: **15 Years**

(21) Appl. No.: **29/620,231**

(22) Filed: **Aug. 31, 2016**

(51) **LOC (11) Cl.** **15-05**

(52) **U.S. Cl.**
USPC **D32/32**

(58) **Field of Classification Search**
USPC D32/31-34, 22
CPC A47L 5/24; A47L 5/38; A47L 5/28; A47L 11/4044; A47L 11/34; A47L 7/0038; A47L 9/325; A47L 9/02; A47L 1/08; D01H 11/006; B60S 1/64; A46B 11/001; A46B 11/002; B08B 3/026; B08B 3/028
See application file for complete search history.

(56) **References Cited**

U.S. PATENT DOCUMENTS

D392,780 S	*	3/1998	Holsten	D32/33
D424,766 S	*	5/2000	Martin	D32/32
D468,499 S	*	1/2003	Kitts	D32/32
D563,615 S	*	3/2008	Roschi	D32/32
D580,611 S	*	11/2008	Roschi	D32/33
D643,582 S	*	8/2011	Ashbee	D32/33

D649,725 S	*	11/2011	Fjellman	D32/32
D698,510 S	*	1/2014	Chu	D32/32
D706,504 S	*	6/2014	Park	D32/33
D770,711 S	*	11/2016	Okada	D32/32
D776,380 S	*	1/2017	Yoneda	D32/32
D779,139 S	*	2/2017	Yoneda	D32/32

* cited by examiner

Primary Examiner — Ruth McInroy

(74) *Attorney, Agent, or Firm* — Mario Theriault

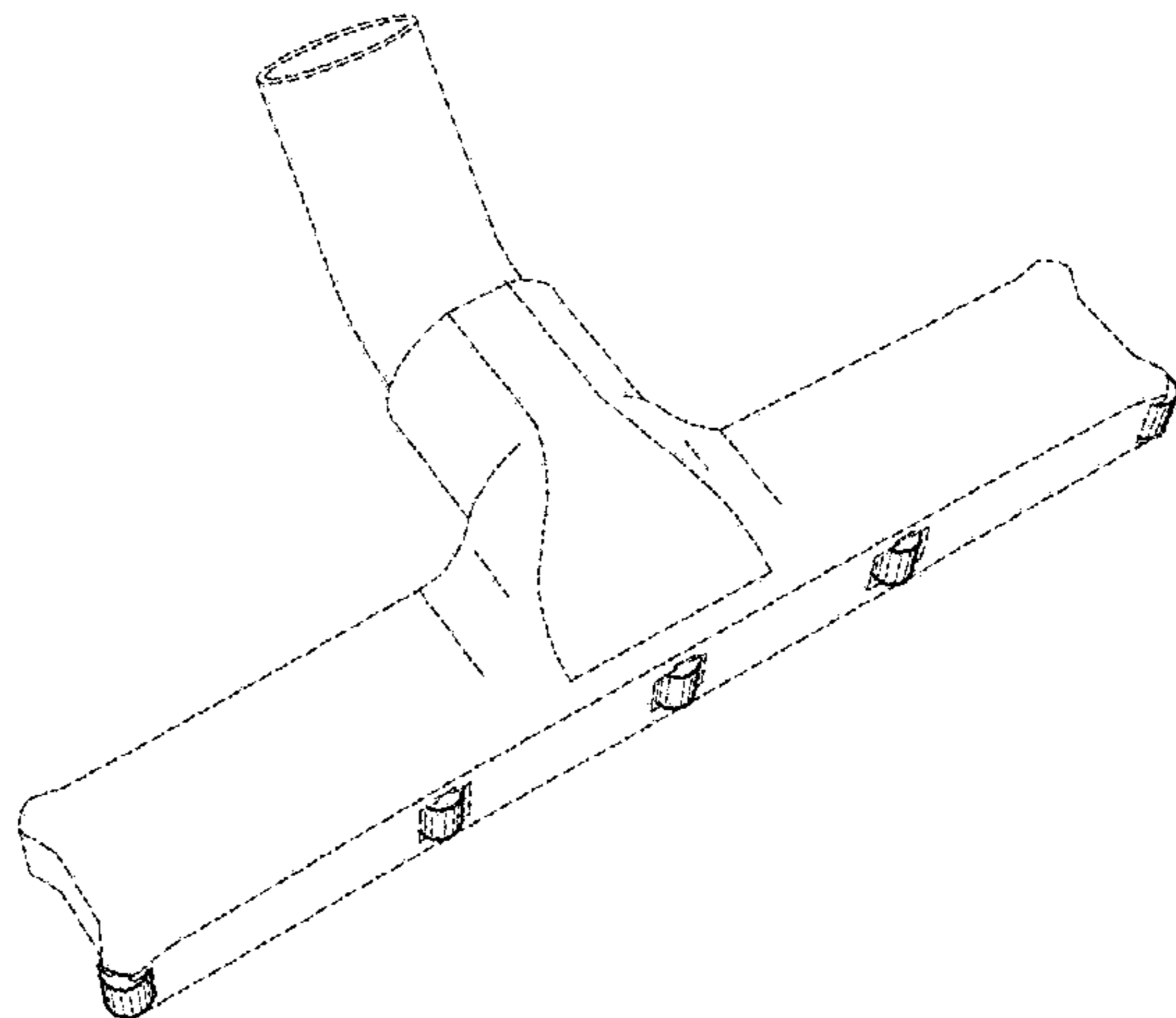
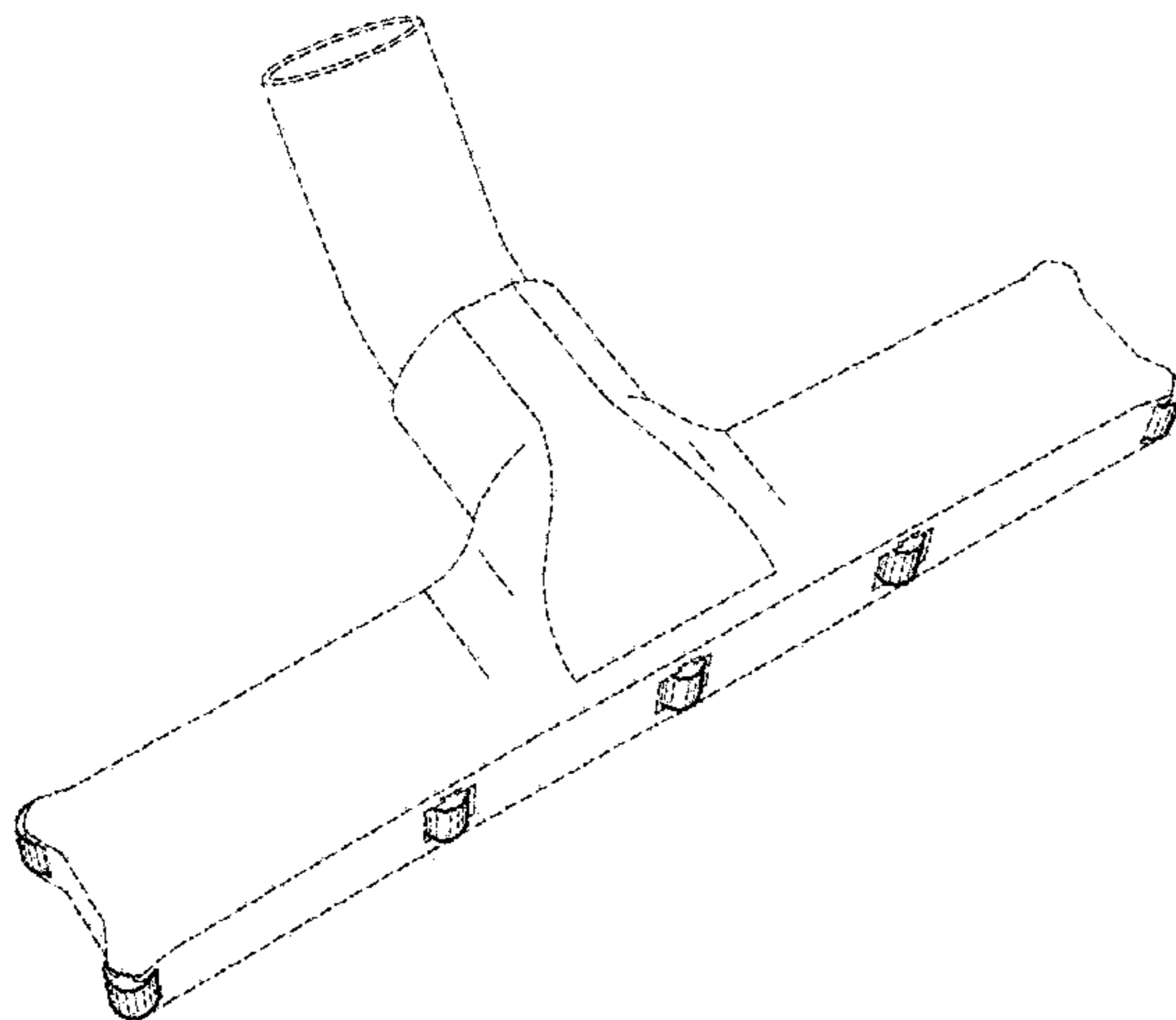
(57) **CLAIM**

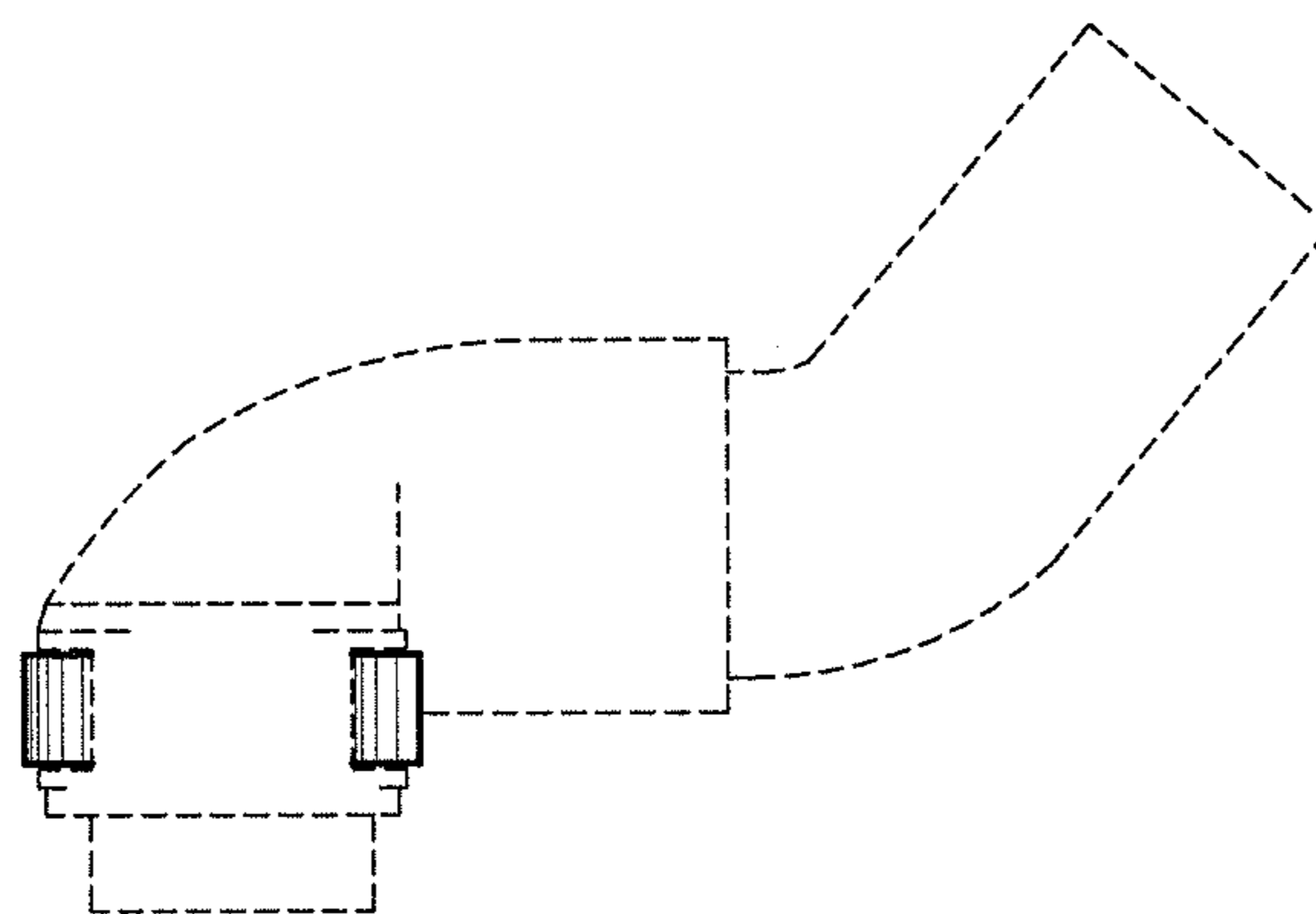
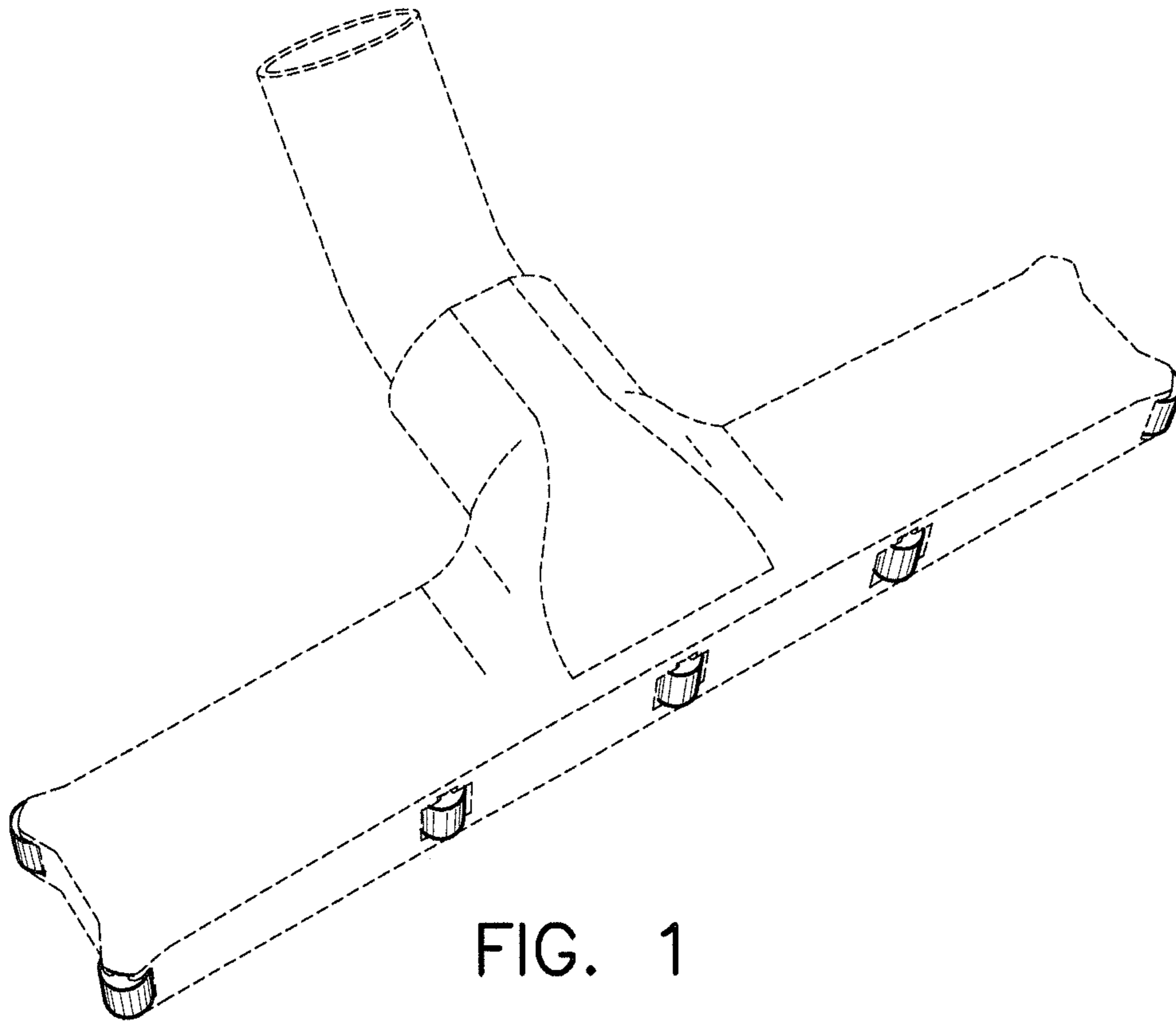
The ornamental design for a roller arrangement on a vacuum head of a vacuum cleaner, as shown and described.

DESCRIPTION

FIG. 1 is a perspective front, left side and top view of a roller arrangement on a vacuum head of a vacuum cleaner, showing the first embodiment of my design;
 FIG. 2 is a right side view thereof, the left side view is a mirror image;
 FIG. 3 is a top view thereof, the bottom view is a mirror image;
 FIG. 4 is a front view thereof;
 FIG. 5 is a perspective front, left side and top view of a roller arrangement on a vacuum head of a vacuum cleaner, showing the second embodiment of my design;
 FIG. 6 is a right side view of the second embodiment of my design, the left side view is a mirror image; and,
 FIG. 7 is a top view of the second embodiment of my design, the bottom view is a mirror image.
 The broken lines in the drawings representing a vacuum cleaner head form no part of the claimed design.

1 Claim, 4 Drawing Sheets





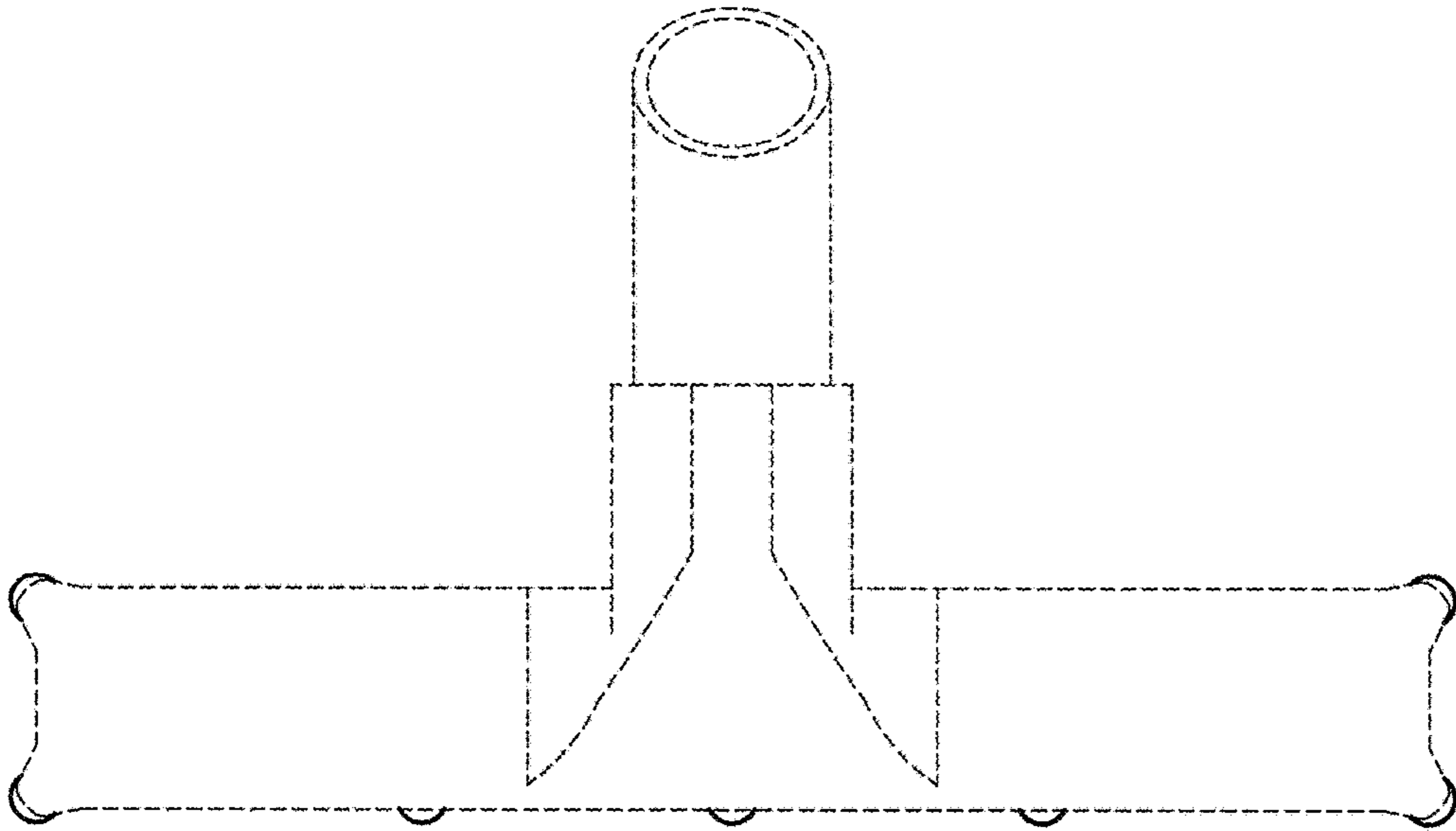


FIG. 3

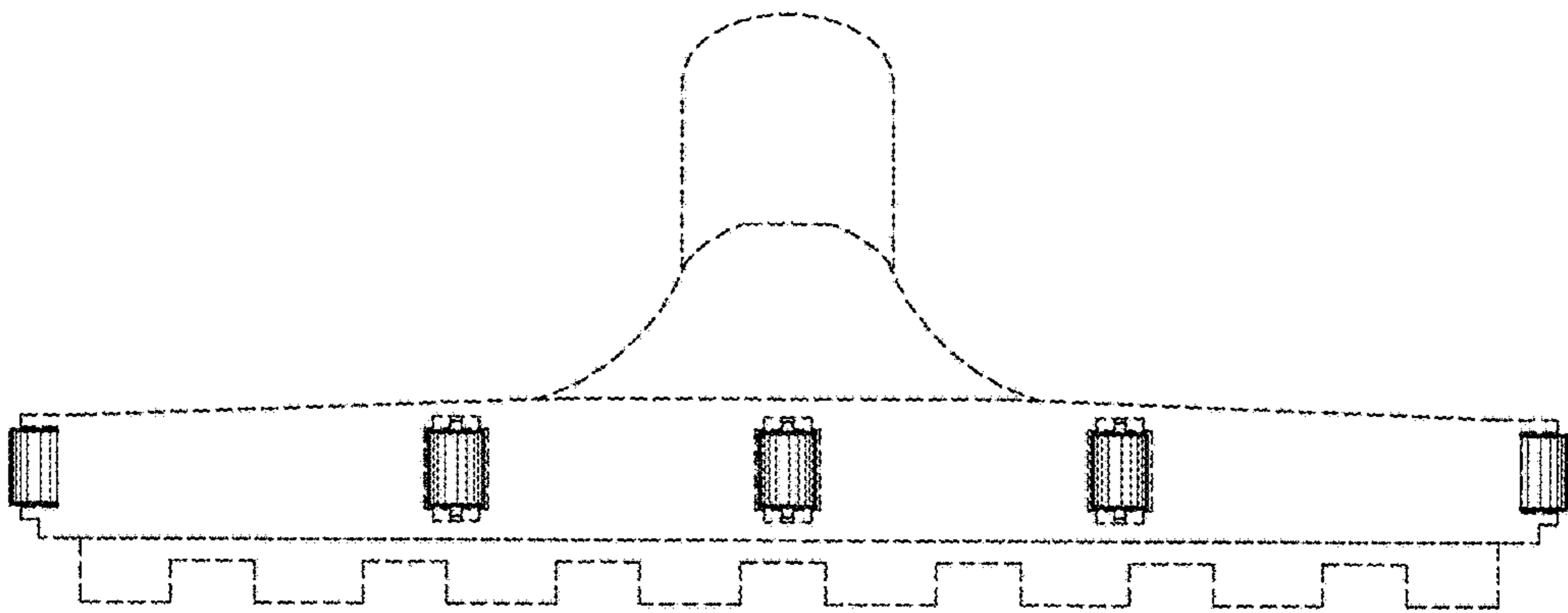


FIG. 4

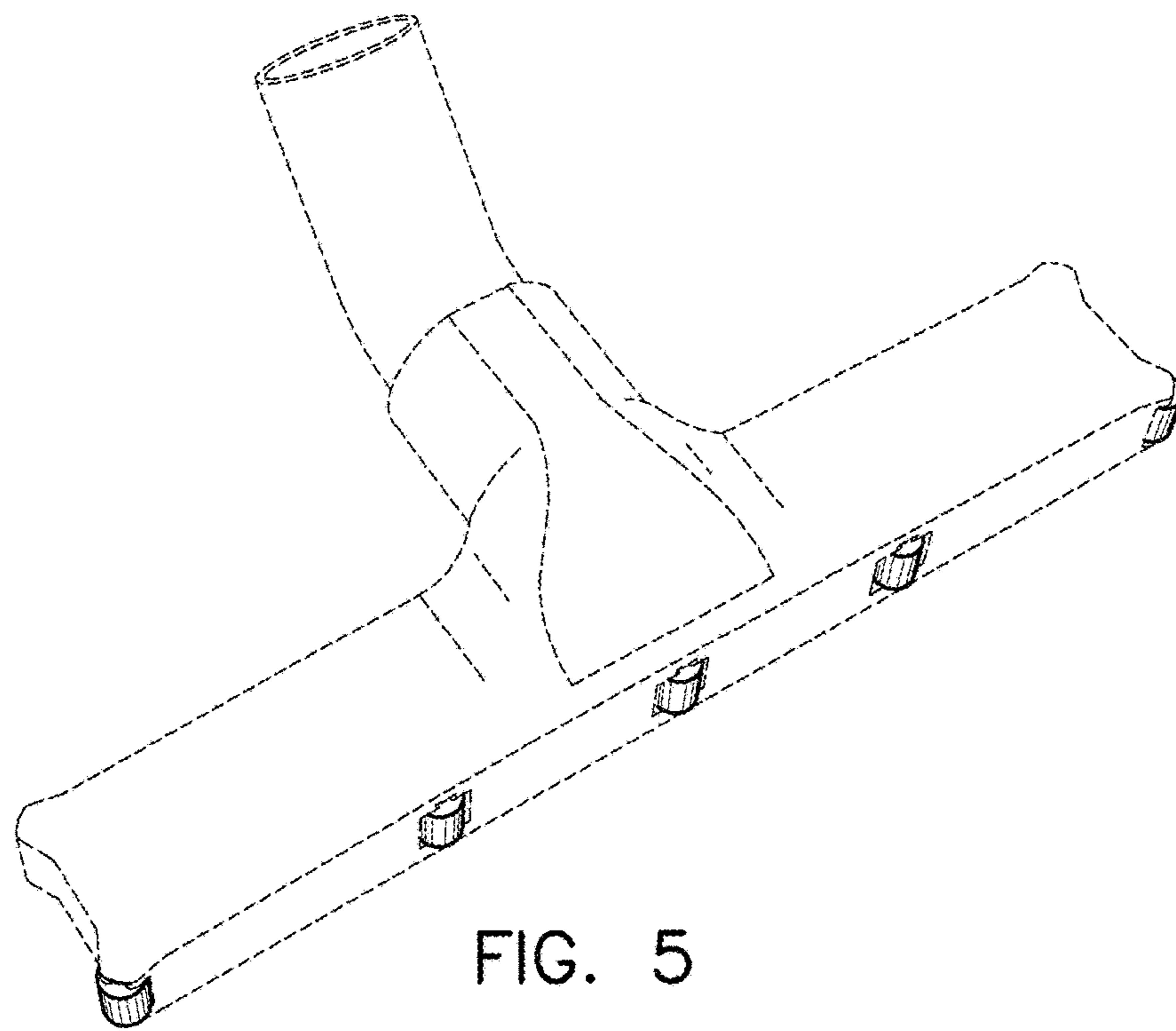


FIG. 5

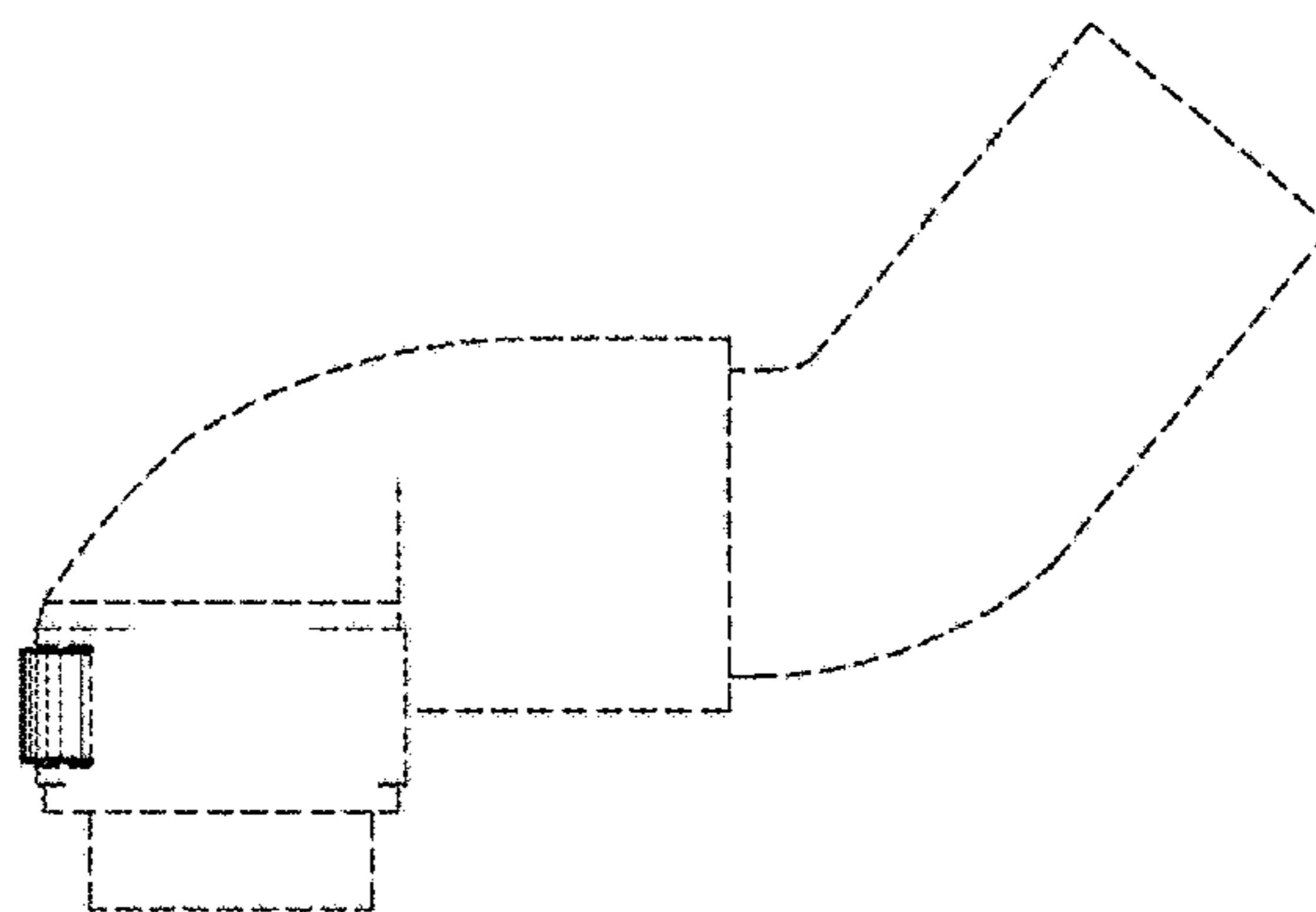


FIG. 6

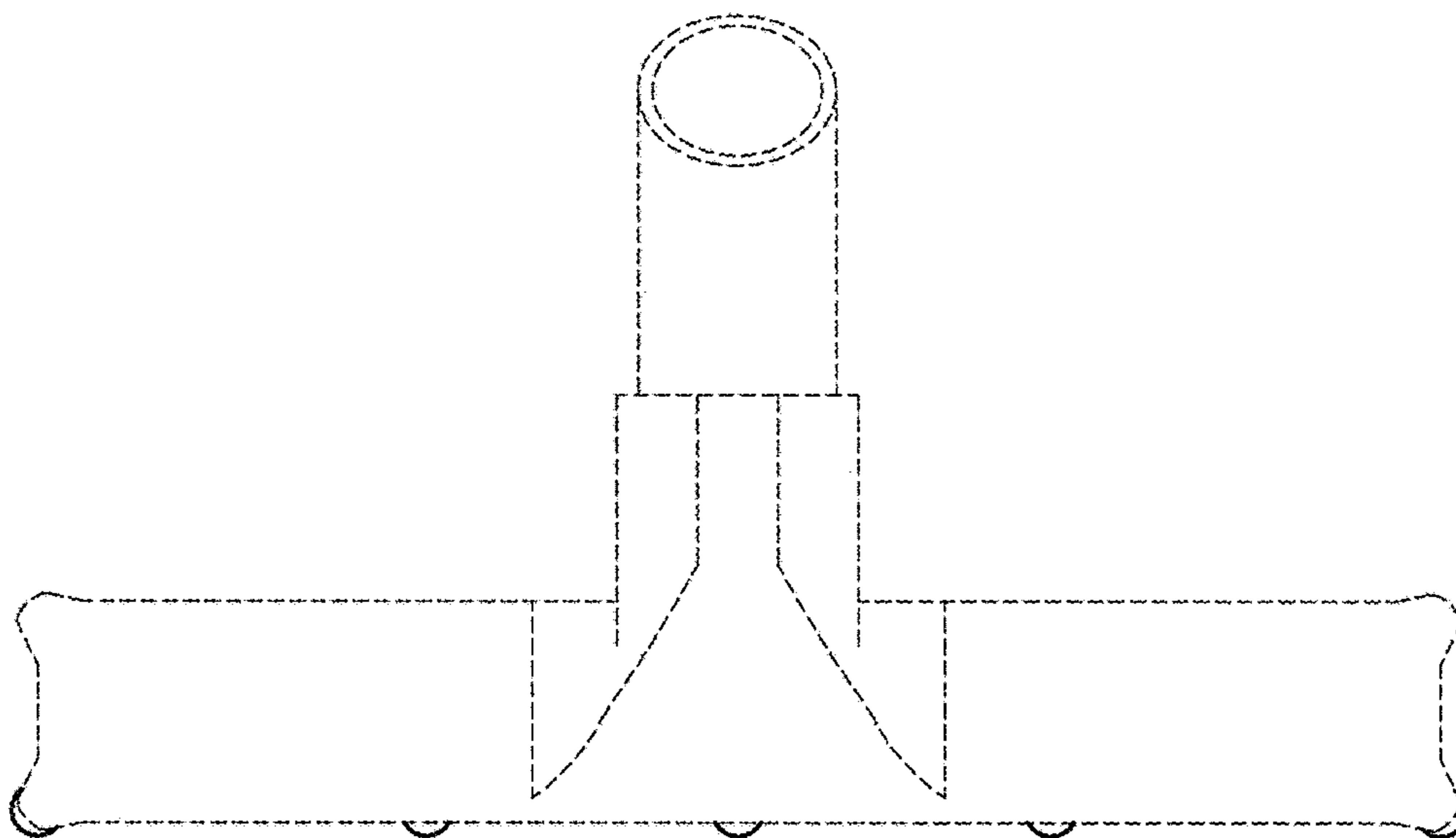


FIG. 7