



US00D816928S

(12) **United States Design Patent**
Henderson et al.

(10) **Patent No.:** **US D816,928 S**

(45) **Date of Patent:** **** May 1, 2018**

- (54) **PART OF A VACUUM CLEANER**
- (71) Applicant: **Dyson Technology Limited**, Wiltshire (GB)
- (72) Inventors: **James Archie Henderson**, Singapore (SG); **Daniel Christopher Warman**, Bath (GB); **Glenn Colin Prosser**, Swindon (GB); **Paul Stephen Deconink**, Swindon (GB)
- (73) Assignee: **Dyson Technology Limited**, Malmesbury, Wiltshire (GB)

5,909,755 A *	6/1999	Leal	A47L 5/24
				15/325
5,987,700 A *	11/1999	Edlund	A47L 9/02
				15/420
D487,947 S *	3/2004	Pecci	D32/32
D490,950 S *	6/2004	Pecci	D32/32
D629,982 S *	12/2010	Rossano	D32/33
D645,217 S *	9/2011	Rossano	D32/33
D691,340 S *	10/2013	Bruneel	D32/32
D707,410 S *	6/2014	Jaeyoul	D32/31
D725,332 S *	3/2015	Yoshitomi	D32/33
D752,303 S *	3/2016	Kerr	D32/32
D776,380 S *	1/2017	Yoneda	D32/32
D796,761 S *	9/2017	Larouche	D32/33

(**) Term: **15 Years**

(21) Appl. No.: **29/576,868**

(22) Filed: **Sep. 7, 2016**

(30) **Foreign Application Priority Data**

Mar. 8, 2016 (EM) 003019926-0001

(51) **LOC (11) Cl.** **15-05**

(52) **U.S. Cl.**
USPC **D32/32**

(58) **Field of Classification Search**
USPC D32/17, 31-33, 25
CPC ... A47L 9/02; A47L 9/242; A47L 9/24; A47L 9/06; A47L 11/4044; A47L 5/34; A47L 5/362; A47L 5/36; A47L 5/14
See application file for complete search history.

(56) **References Cited**

U.S. PATENT DOCUMENTS

5,398,361 A *	3/1995	Cason	A47L 9/02
				15/1.7
5,826,299 A *	10/1998	Kim	A47L 9/0009
				15/323

* cited by examiner

Primary Examiner — Ruth McInroy

(74) *Attorney, Agent, or Firm* — Morrison & Foerster LLP

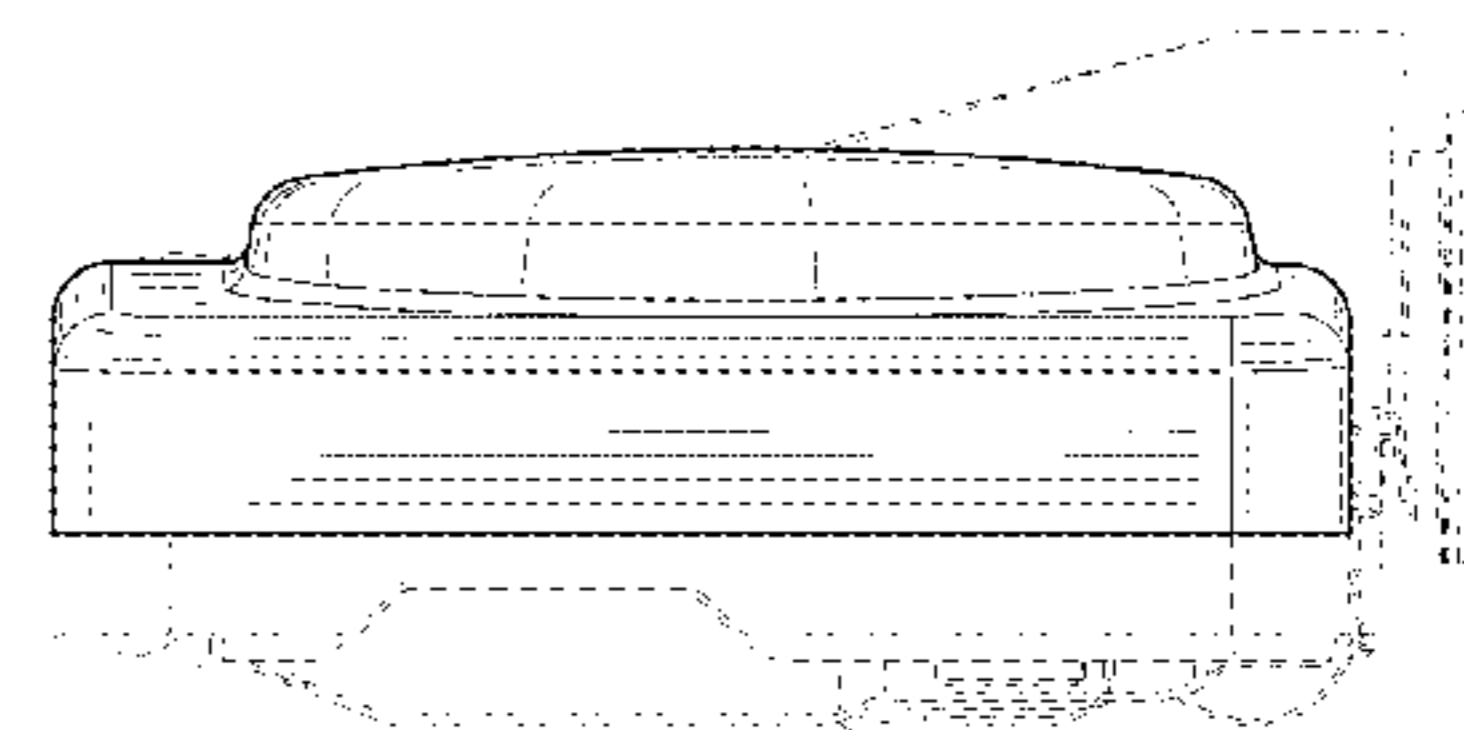
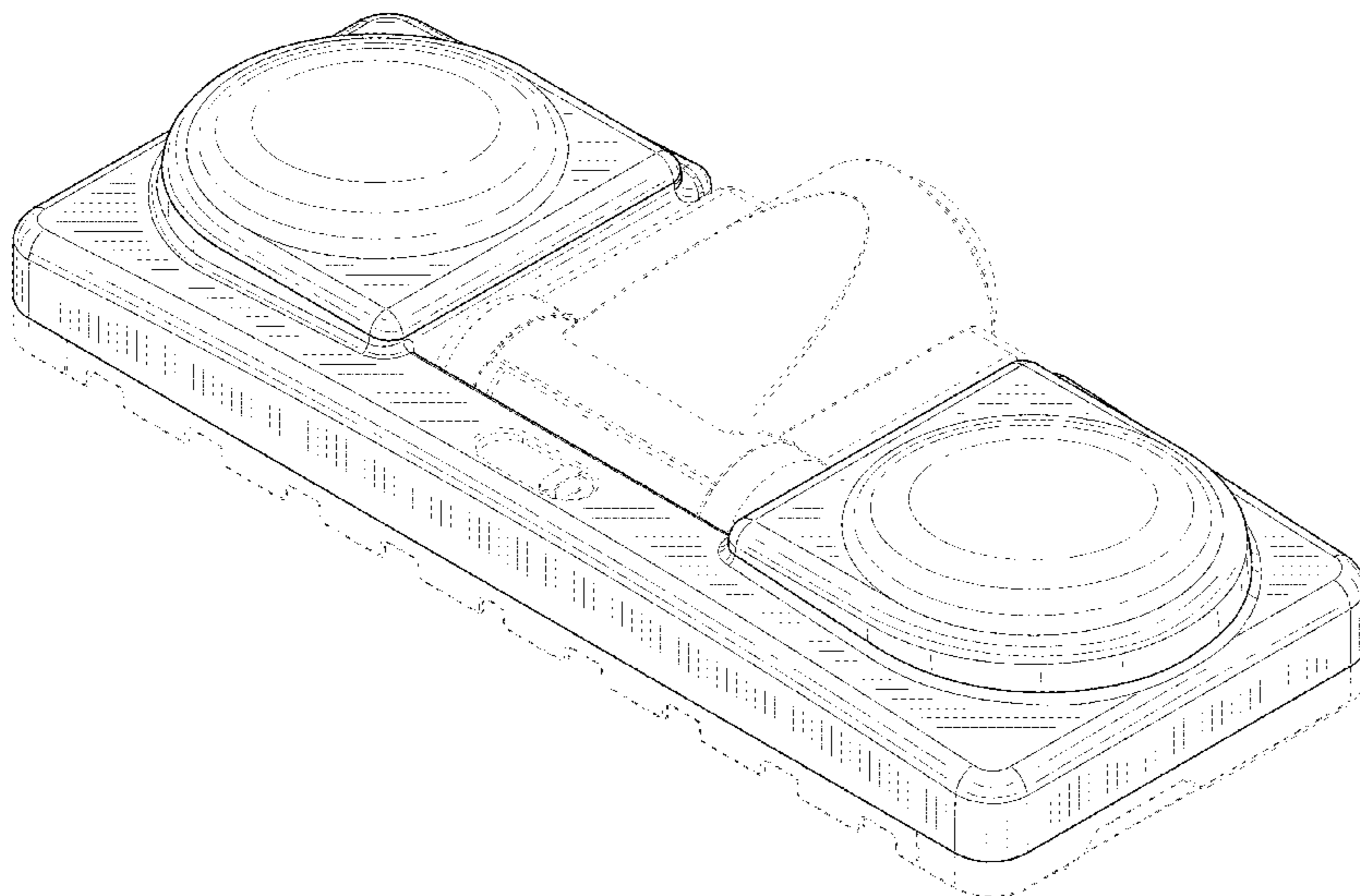
(57) **CLAIM**

We claim the ornamental design for a part of a vacuum cleaner, as shown and described.

DESCRIPTION

FIG. 1 is a perspective view of a part of a vacuum cleaner showing our new design;
FIG. 2 is a front view thereof;
FIG. 3 is a rear view thereof;
FIG. 4 is a side thereof;
FIG. 5 is a side view of the opposite side of FIG. 4;
FIG. 6 is a top view thereof; and,
FIG. 7 is a bottom view thereof.
The details shown in broken lines form no part of the claimed design.

1 Claim, 5 Drawing Sheets



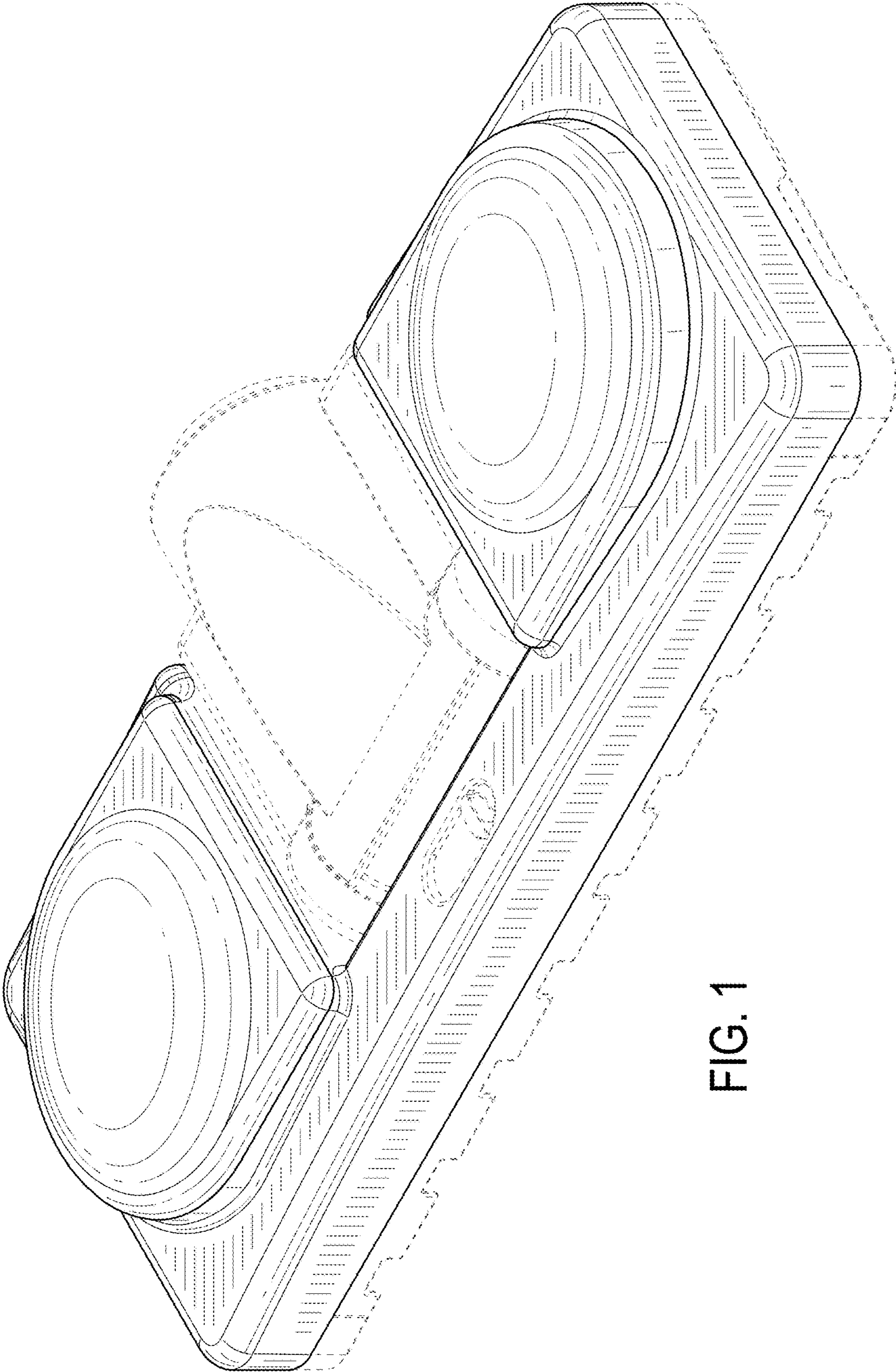


FIG. 1

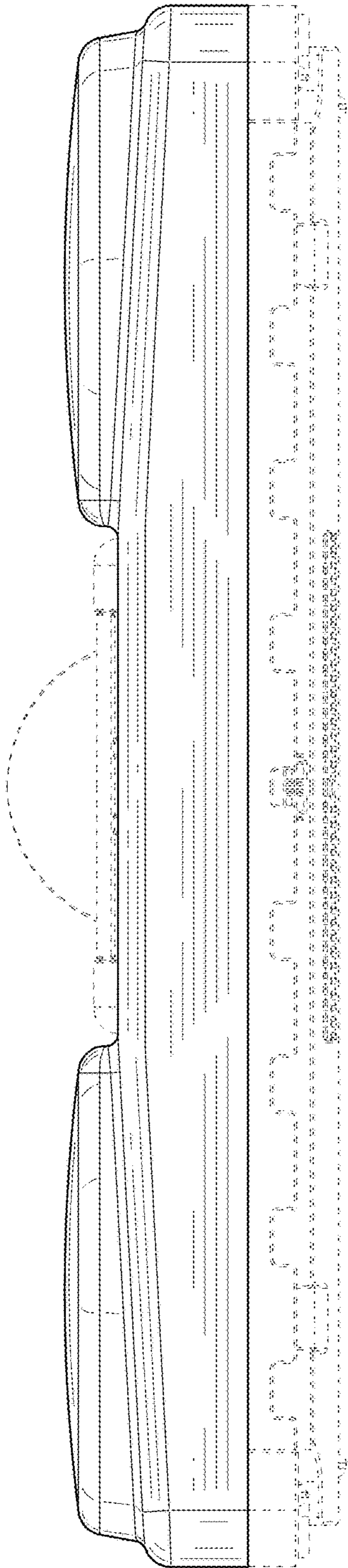


FIG. 2

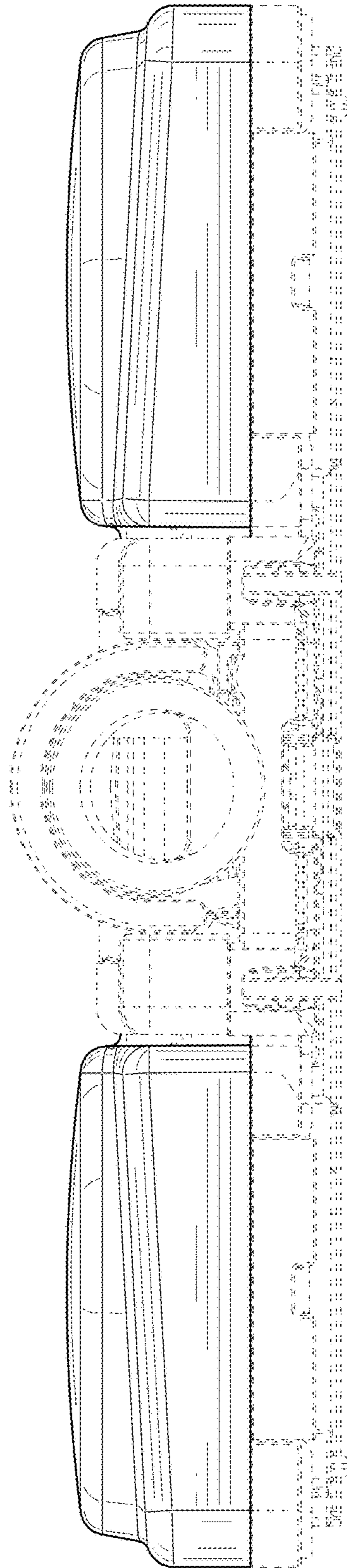


FIG. 3

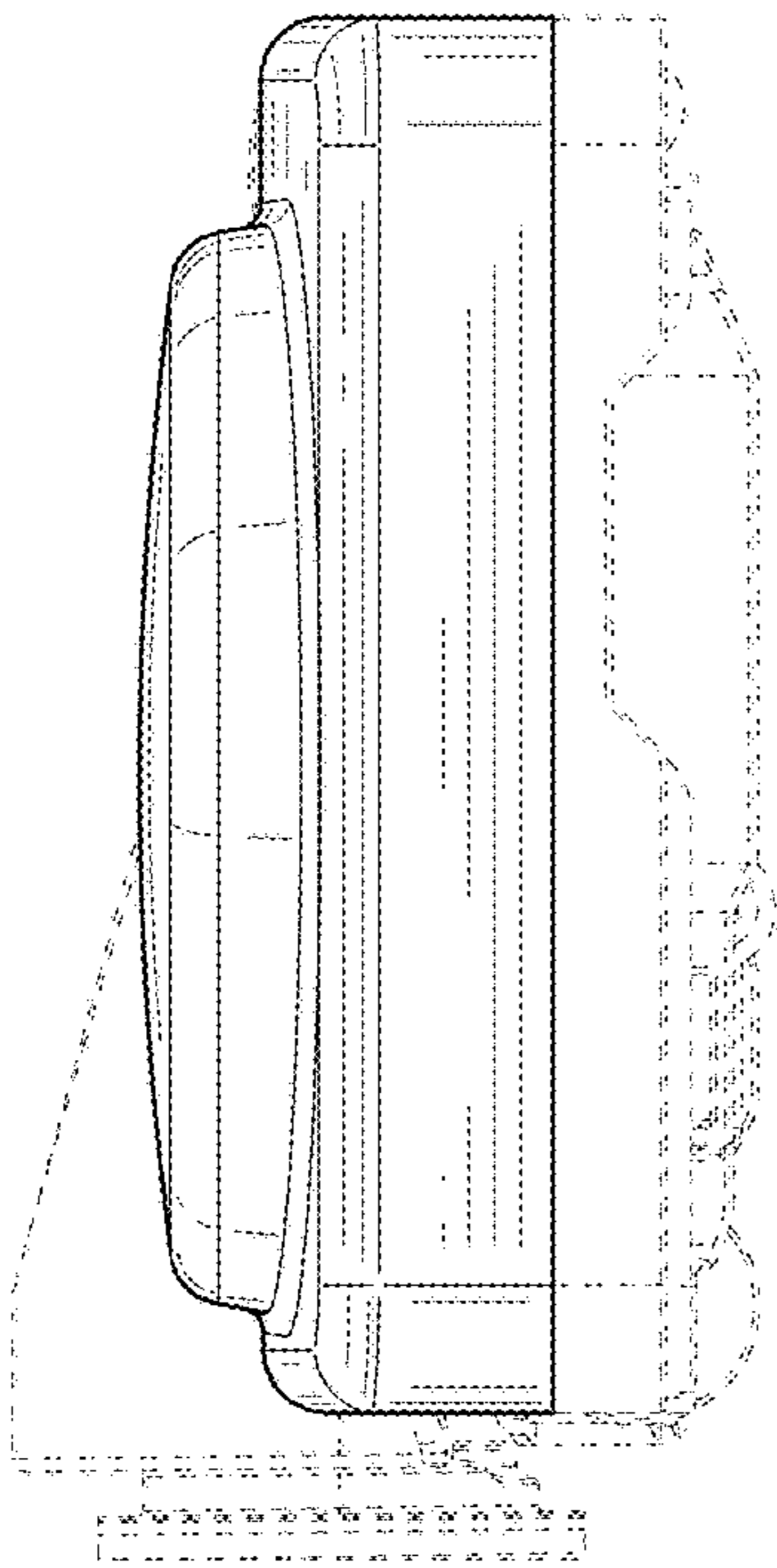


FIG. 4

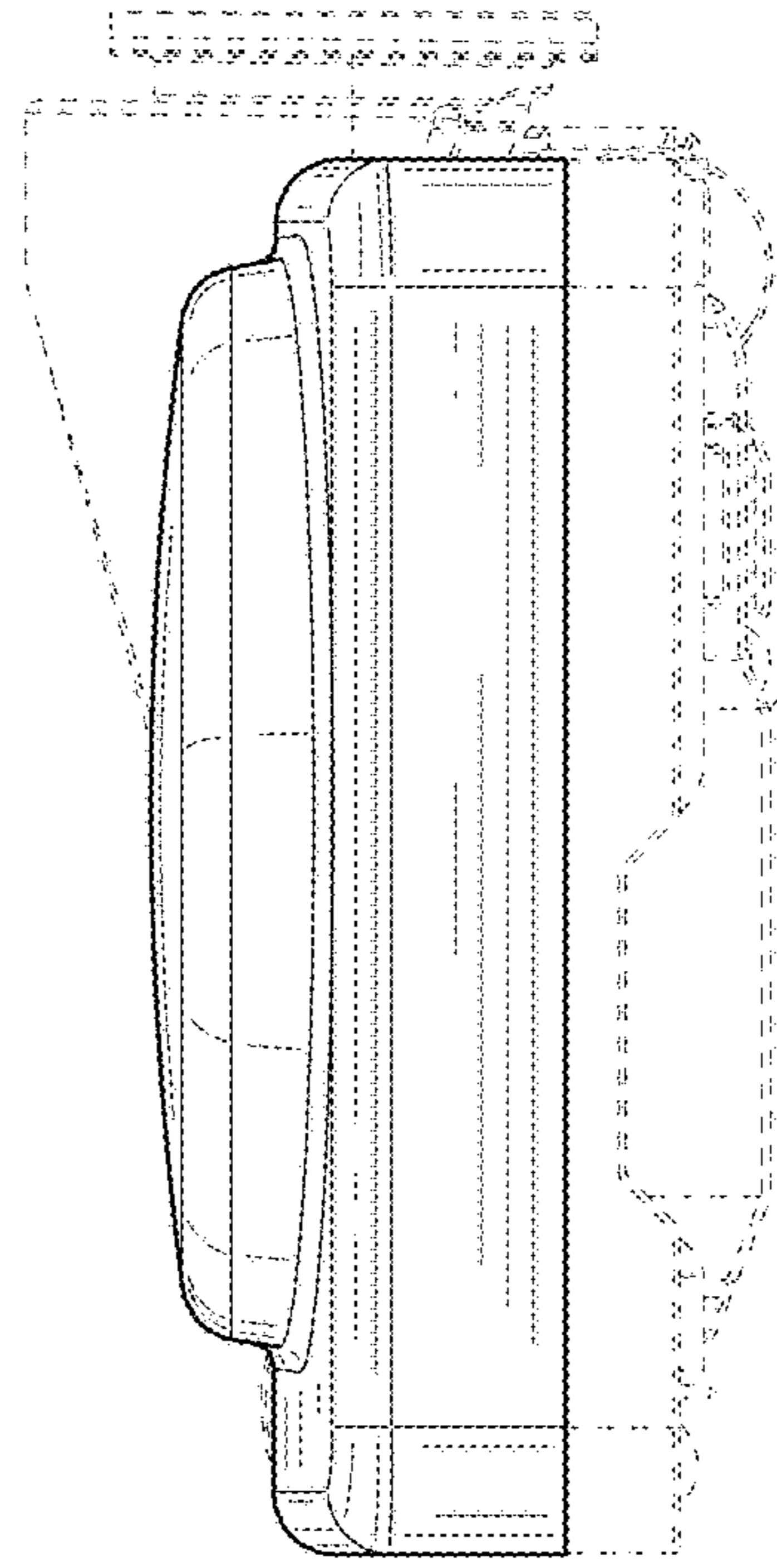


FIG. 5

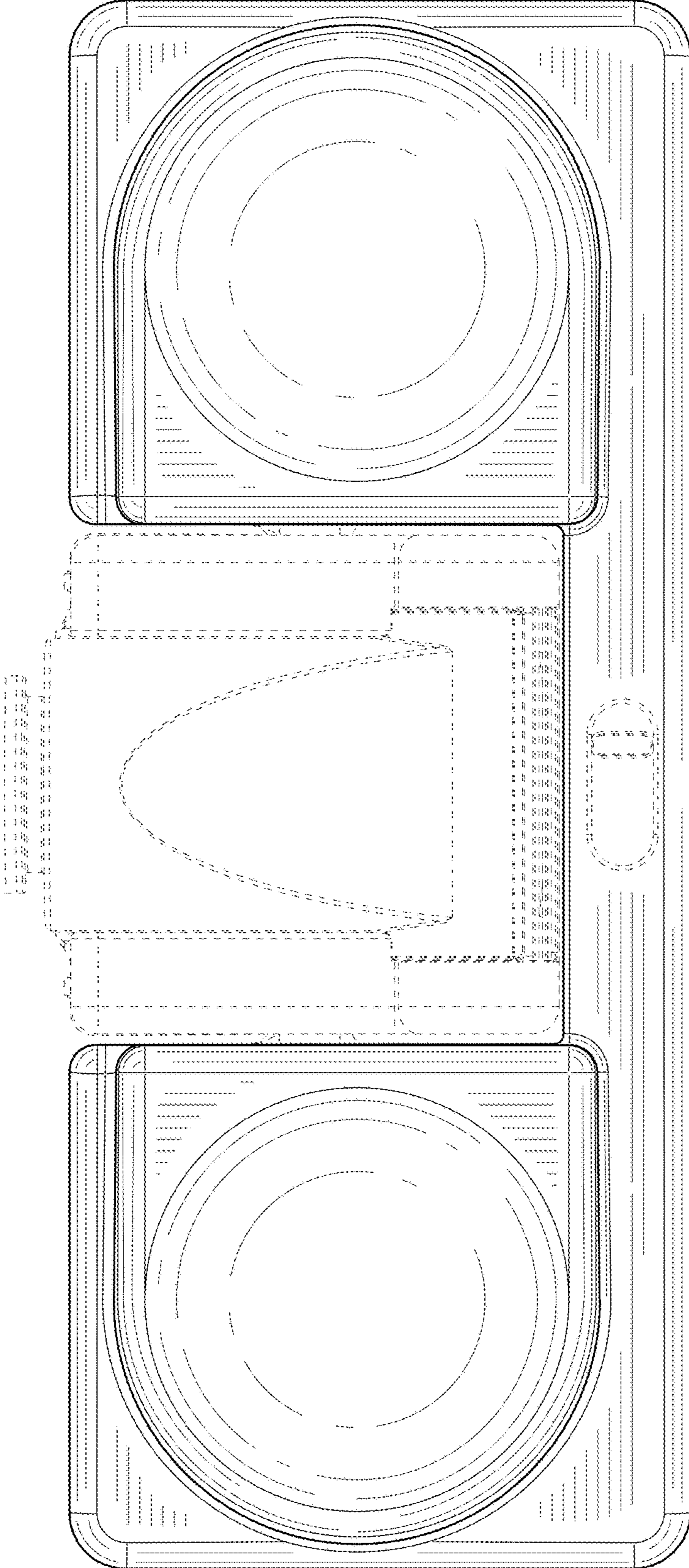


FIG. 6

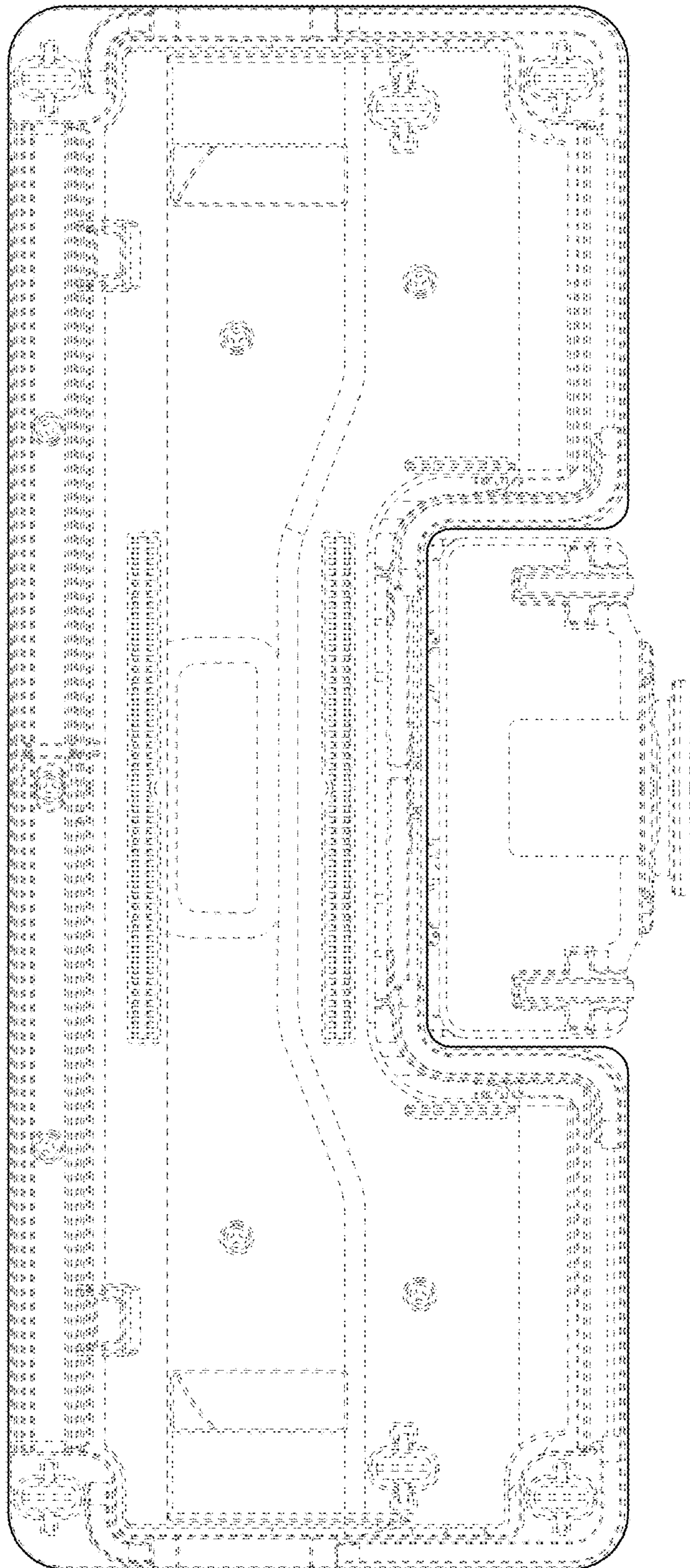


FIG. 7