



US00D816923S

(12) **United States Design Patent** (10) **Patent No.:** **US D816,923 S**
Silagy (45) **Date of Patent:** **** May 1, 2018**

(54) **WASHING MACHINE**

(71) Applicant: **Howard Silagy**, Pawcatuck, CT (US)

(72) Inventor: **Howard Silagy**, Pawcatuck, CT (US)

(**) Term: **15 Years**

(21) Appl. No.: **29/601,007**

(22) Filed: **Apr. 18, 2017**

Related U.S. Application Data

(63) Continuation-in-part of application No. 14/714,398, filed on May 18, 2015, now Pat. No. 9,752,264.

(51) **LOC (11) Cl.** **15-05**

(52) **U.S. Cl.**
USPC **D32/6**

(58) **Field of Classification Search**
USPC D32/29.1, 29, 28, 6, 25, 8, 1, 5, 10
CPC D06F 39/045; D06F 29/00; D06F 29/005;
D06F 25/00; D06F 39/022; D06F 33/02;
D06F 2204/065; D06F 35/006
See application file for complete search history.

(56) **References Cited**

U.S. PATENT DOCUMENTS

34,292 A	2/1862	Davis
262,830 A	8/1882	Rarey
448,654 A	3/1891	Jantz
490,372 A	1/1893	Spangler
523,601 A	7/1894	Sheehy
823,323 A	6/1906	Dungan
1,085,397 A	1/1914	Baldwin
1,185,517 A	5/1916	Magee
1,215,405 A	2/1917	Perry

(Continued)

Primary Examiner — Michael A. Pratt
Assistant Examiner — Michelle E Wilson

(74) *Attorney, Agent, or Firm* — Barlow, Josephs & Holmes, Ltd.

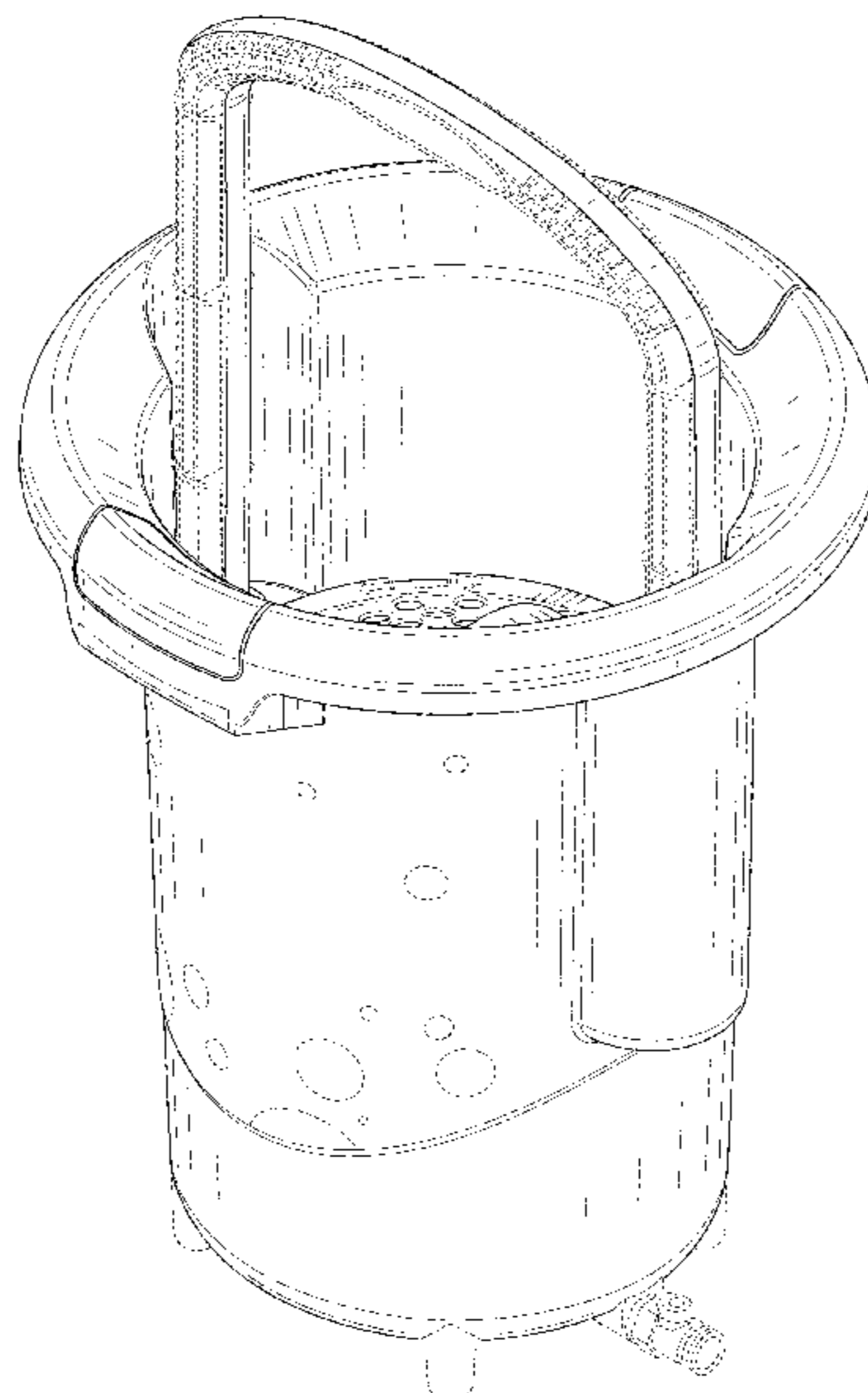
(57) **CLAIM**

The ornamental design for an washing machine, as shown and described.

DESCRIPTION

FIG. 1 is a perspective view of the washing machine in accordance with the present invention; FIG. 2 is a front elevation view thereof, it being understood that the rear elevation view is a mirror image thereof; FIG. 3 is a left-side elevation view thereof; FIG. 4 is a right-side elevation view thereof; FIG. 5 is a top view thereof; FIG. 6 is a bottom view thereof; FIG. 7 is a partially exploded view thereof, illustrating the washing basket separated from the washing basin; FIG. 8 is a perspective view of the washing basin of the washing machine in accordance with the present invention; FIG. 9 is a front elevation view thereof, it being understood that the rear elevation view is a mirror image thereof; FIG. 10 is a left-side elevation view thereof; FIG. 11 is a right-side elevation view thereof; FIG. 12 is a top view thereof; FIG. 13 is a bottom view thereof; FIG. 14 is a perspective view of the washing basket in accordance with the present invention; FIG. 15 is a front elevation view thereof, it being understood that the rear elevation view is a mirror image thereof; FIG. 16 is a left-side elevation view thereof, it being understood that the right-side elevation view is a mirror image thereof; FIG. 17 is a top view thereof; and, FIG. 18 is a bottom view thereof. The elements depicted in broken line in the various figures are included for environmental purposes only, and form no part of the claimed design.

1 Claim, 18 Drawing Sheets



(56)

References Cited

U.S. PATENT DOCUMENTS

1,413,825 A 4/1922 Benedict
 2,008,556 A * 7/1935 Kubista D06F 43/00
 220/DIG. 28
 2,050,431 A 8/1936 Gubler
 2,320,230 A 5/1943 Glisson
 2,741,253 A 4/1956 Bemier
 3,512,539 A 5/1970 Hamilton
 5,894,745 A * 4/1999 Lee D06F 17/06
 134/133
 D446,891 S * 8/2001 Kim, II D32/6
 6,341,508 B1 1/2002 Minassian
 D459,037 S * 6/2002 Schober D32/1
 6,446,473 B1 * 9/2002 Park D06F 21/08
 68/156
 D521,196 S * 5/2006 Seiffert D32/6
 7,162,897 B2 1/2007 Ball
 D541,491 S * 4/2007 Jun D32/6

D654,640 S * 2/2012 Song D32/6
 D657,507 S * 4/2012 Dash D32/6
 D695,979 S * 12/2013 Lee D32/6
 D706,131 S * 6/2014 Brooks D9/428
 8,887,539 B1 * 11/2014 Hernandez D06F 5/04
 68/57
 D729,994 S * 5/2015 Kang D32/6
 D730,594 S * 5/2015 Kang D32/6
 D730,595 S * 5/2015 Jeong D32/6
 D732,762 S * 6/2015 Joo D32/6
 D733,372 S * 6/2015 Song D32/6
 9,109,316 B1 * 8/2015 Thomson D06F 5/00
 D744,177 S * 11/2015 Jung D32/6
 D748,355 S * 1/2016 Sim D32/6
 9,340,330 B2 * 5/2016 LeBoeuf B65D 43/0208
 9,752,264 B2 * 9/2017 Silagy D06F 5/04
 9,765,461 B2 * 9/2017 Thomson D06F 5/04
 2002/0170323 A1 11/2002 Stahl
 2002/0175173 A1 11/2002 Diesterbeck

* cited by examiner

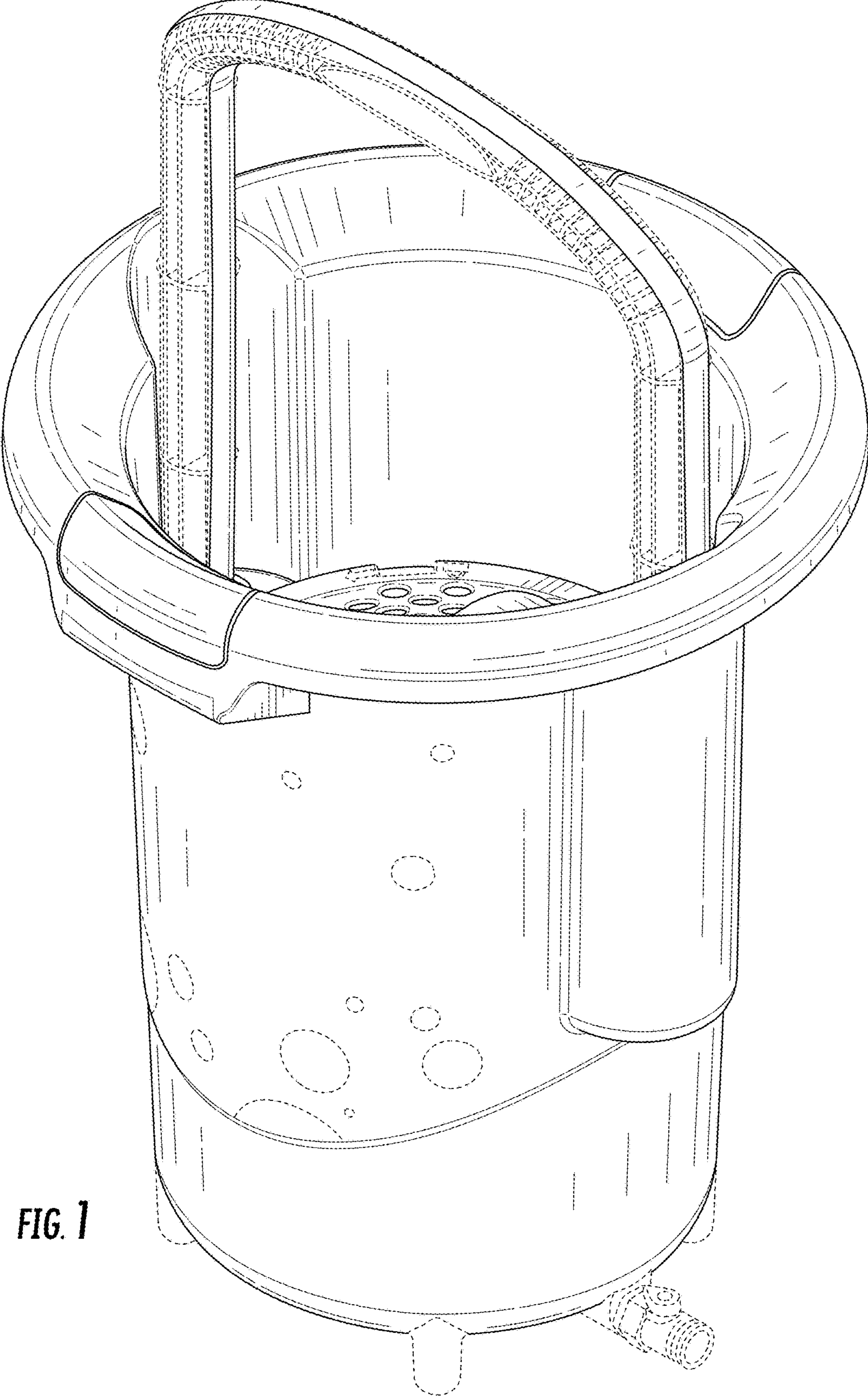


FIG. 1

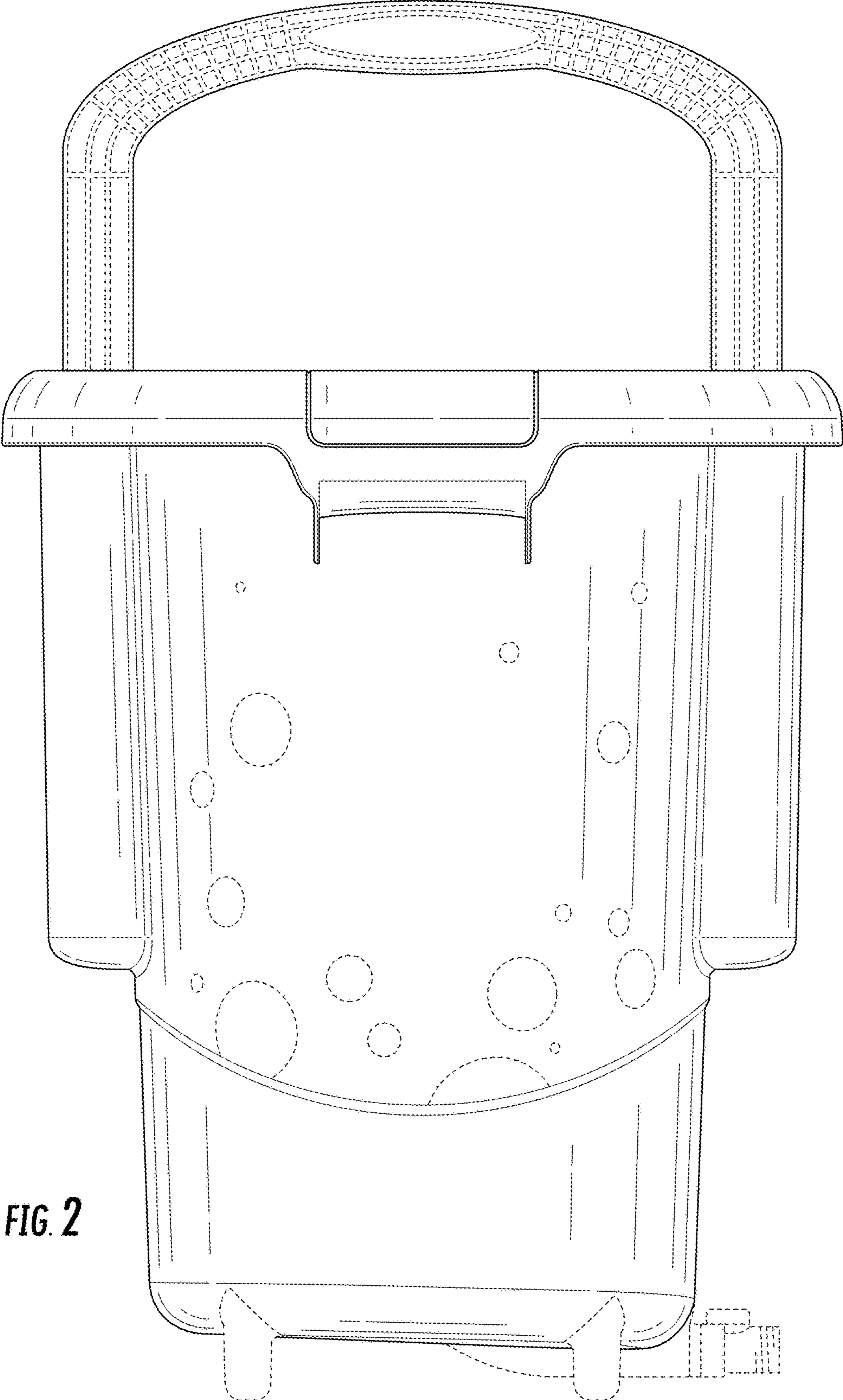


FIG. 2

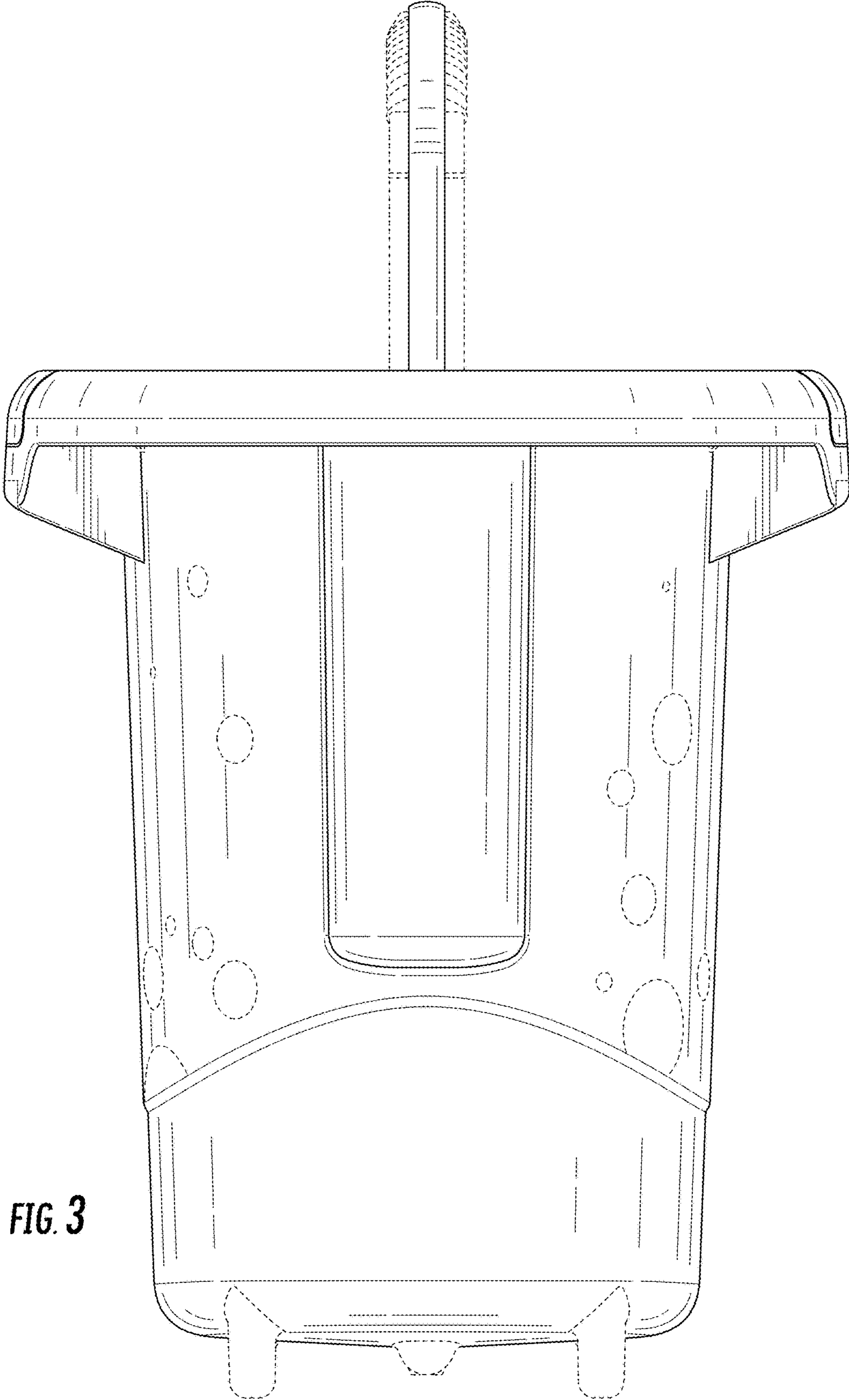


FIG. 3

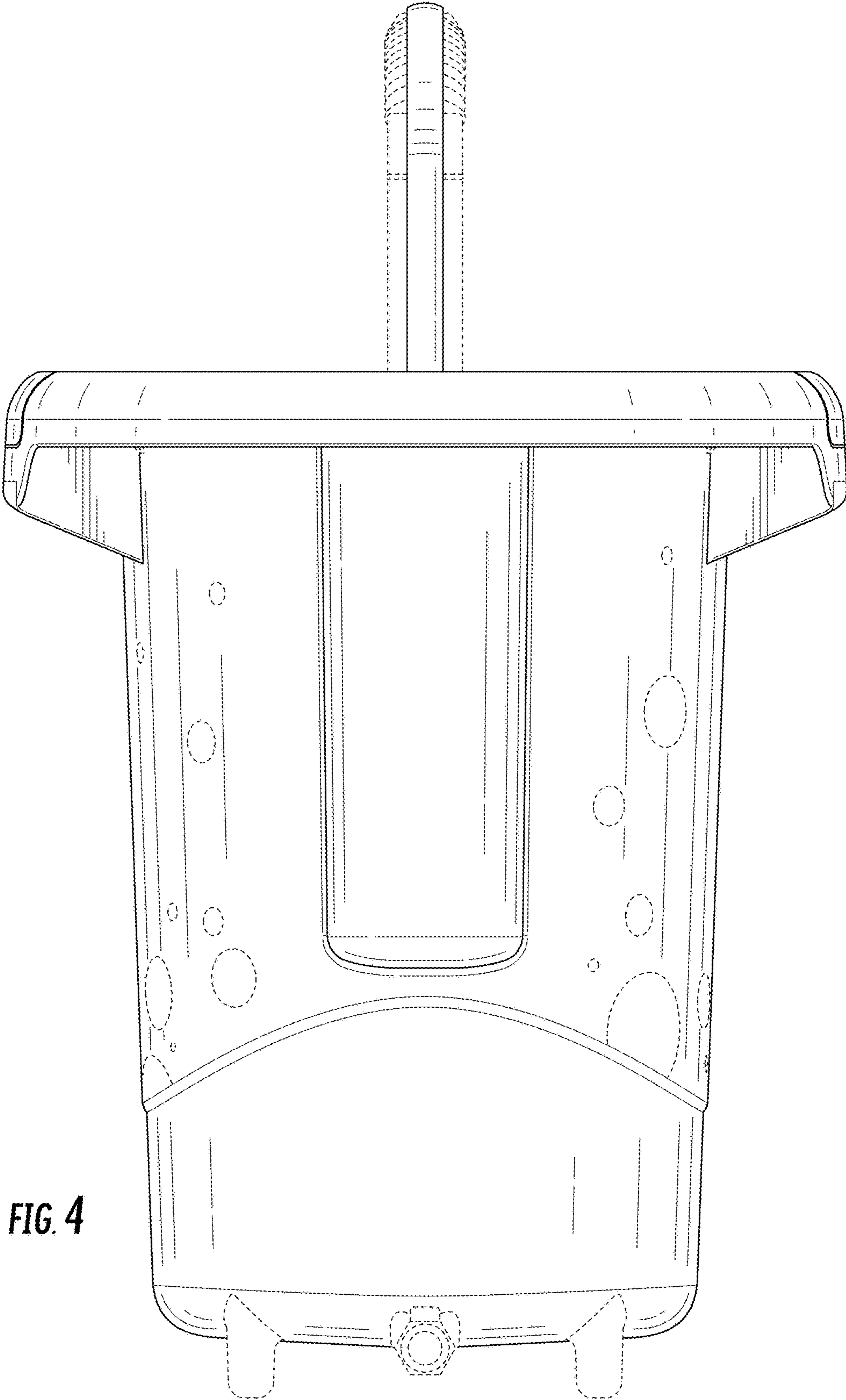


FIG. 4

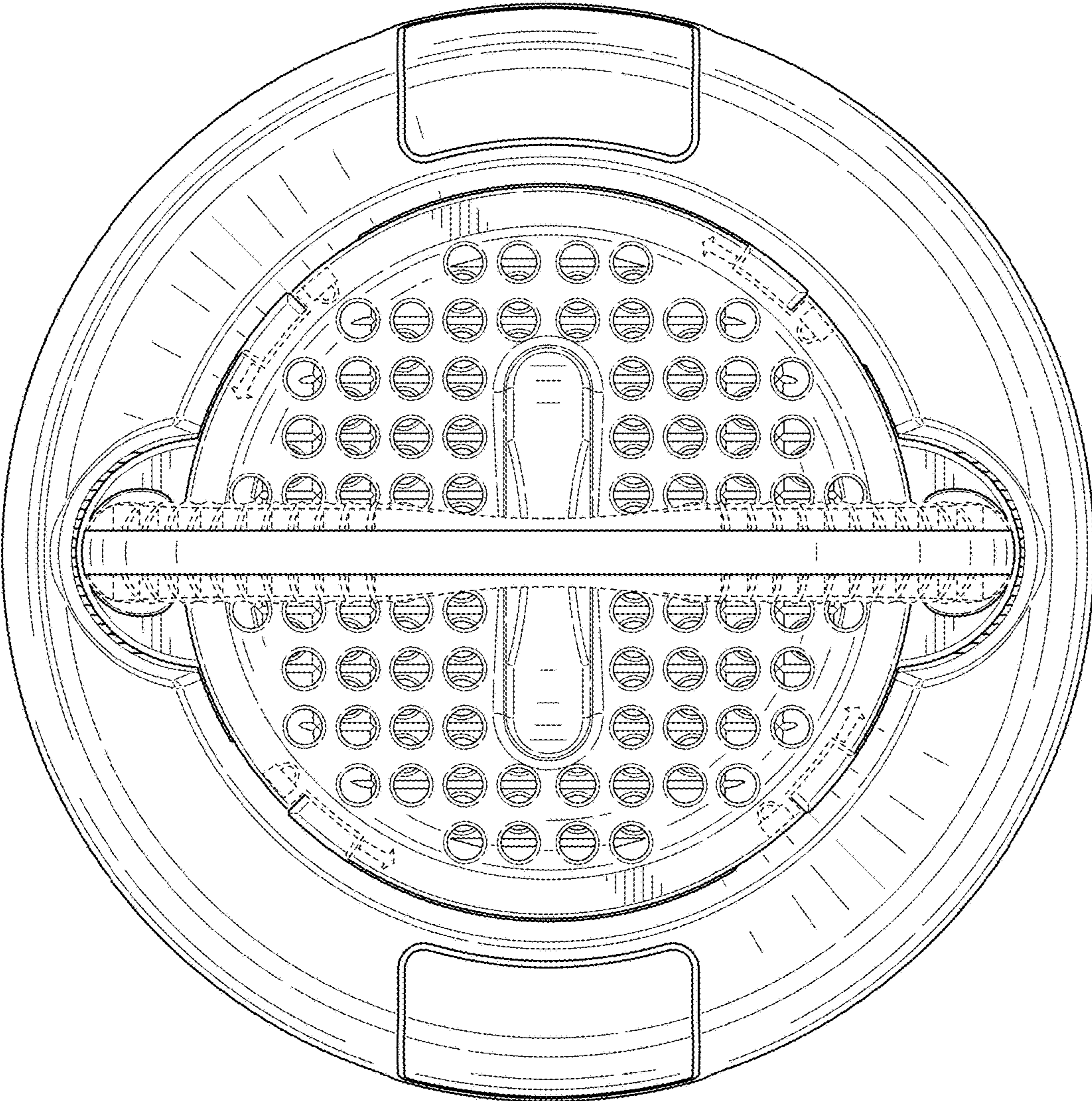


FIG. 5

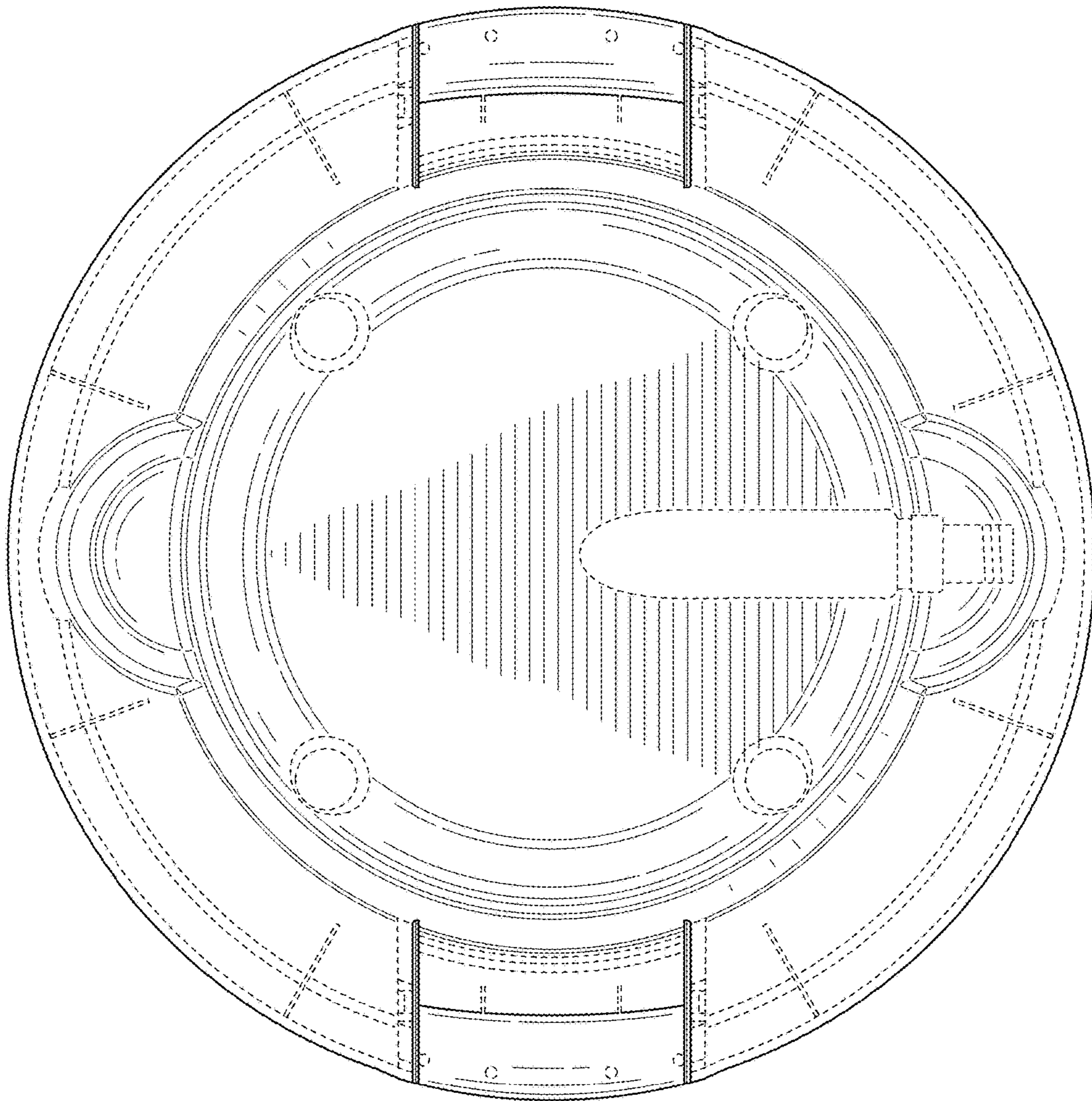
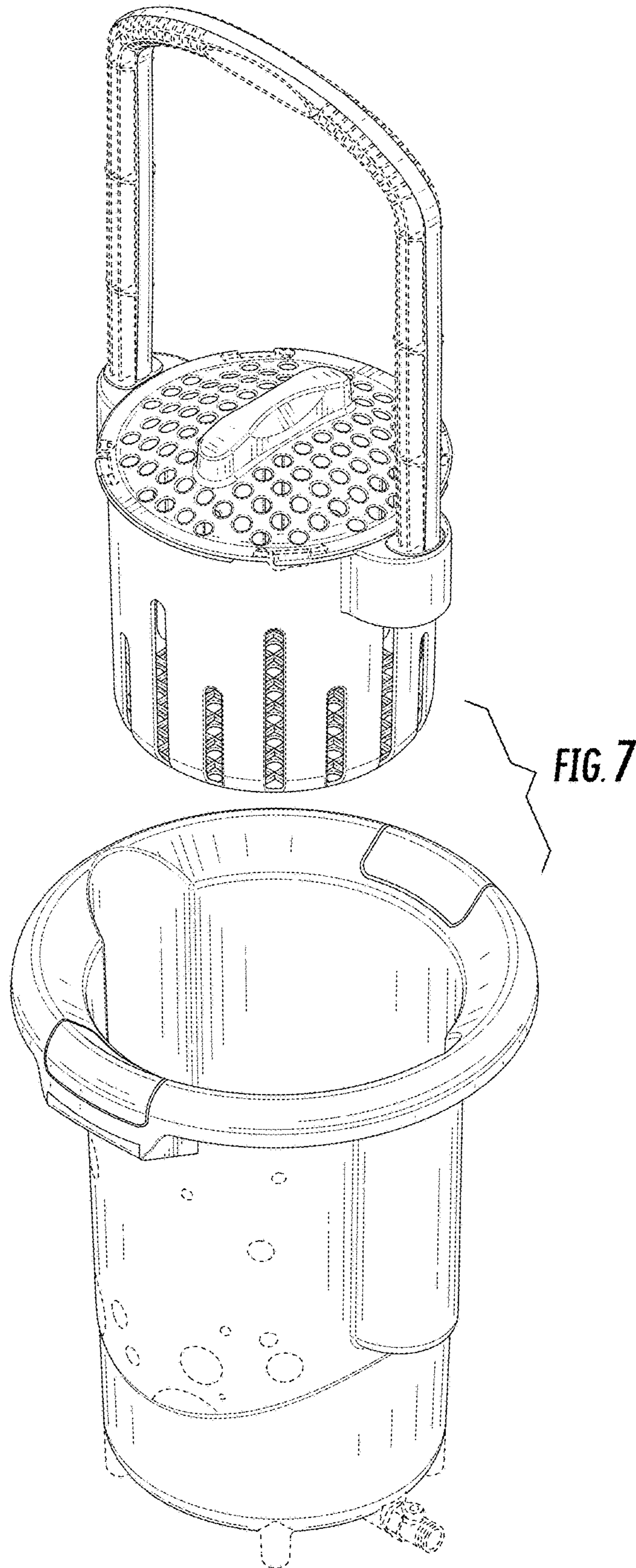


FIG. 6



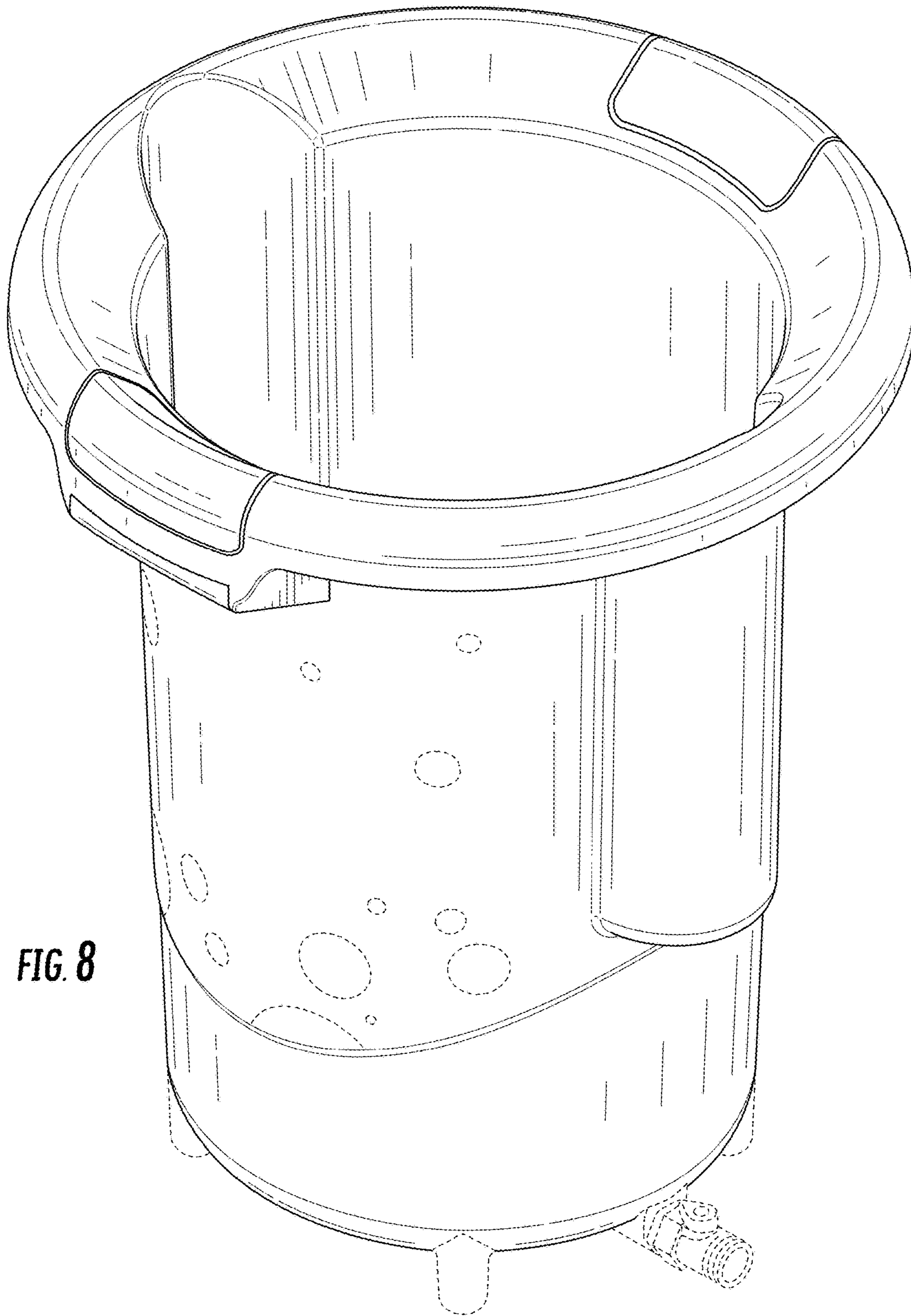


FIG. 8

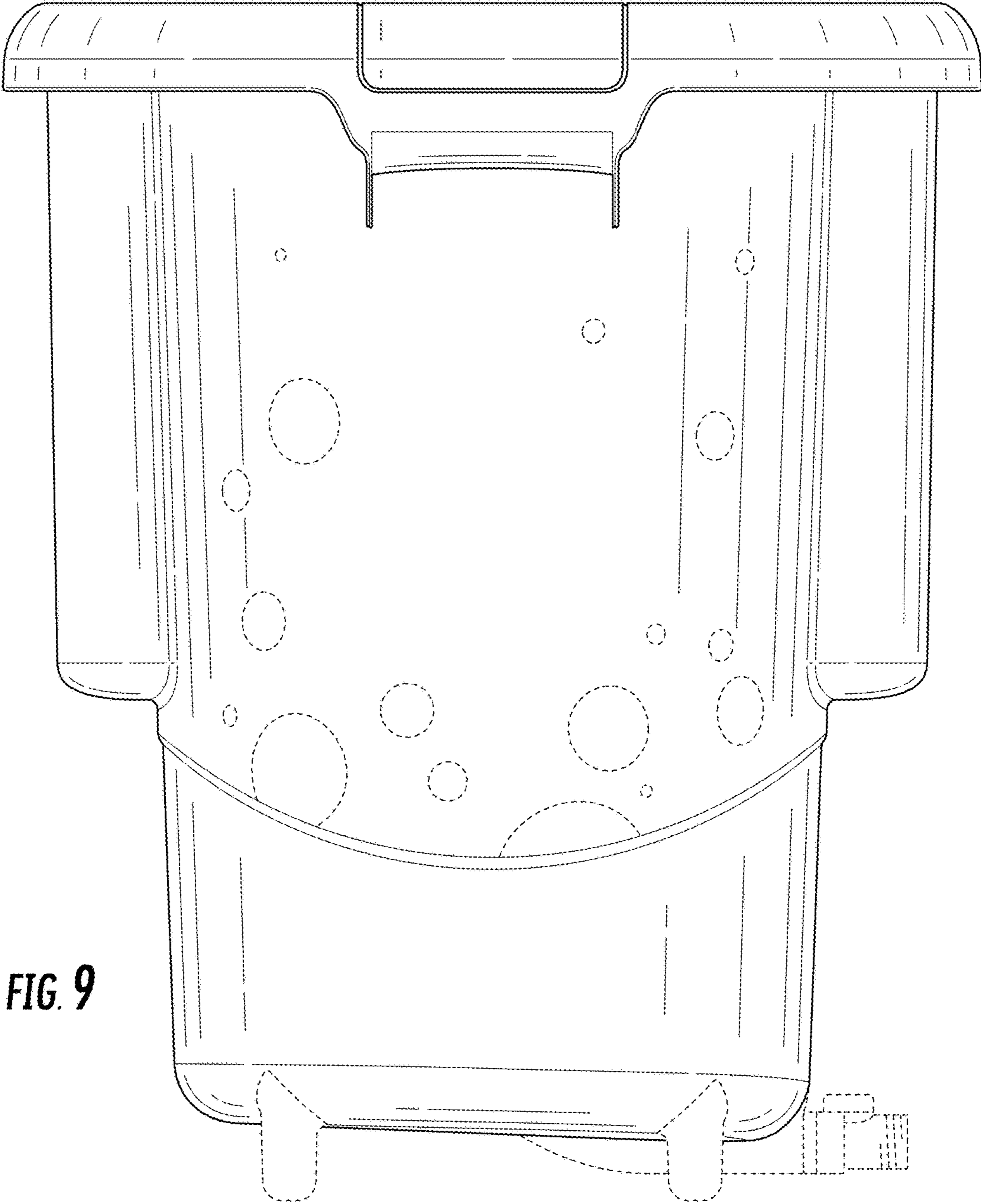


FIG. 9

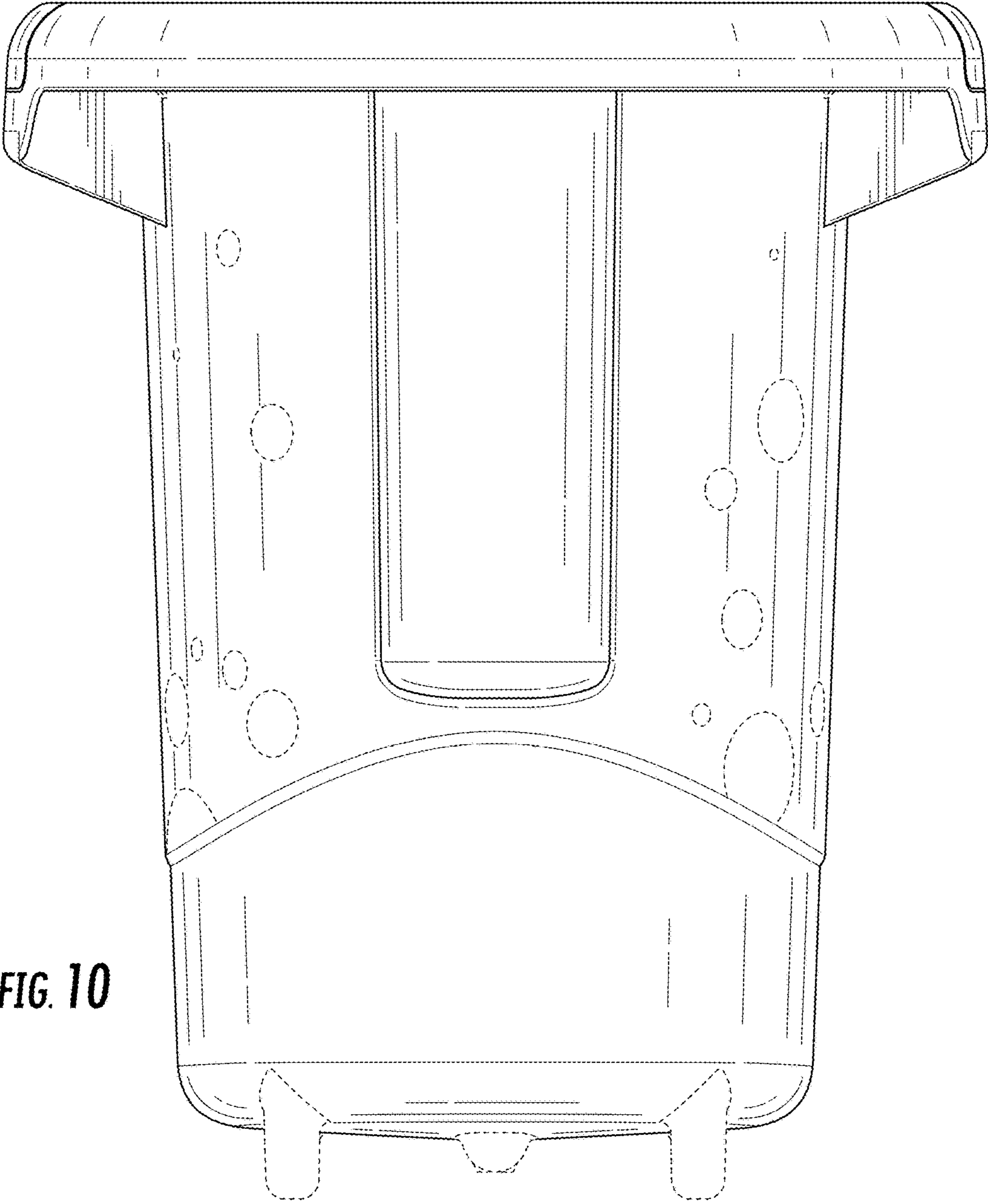


FIG. 10

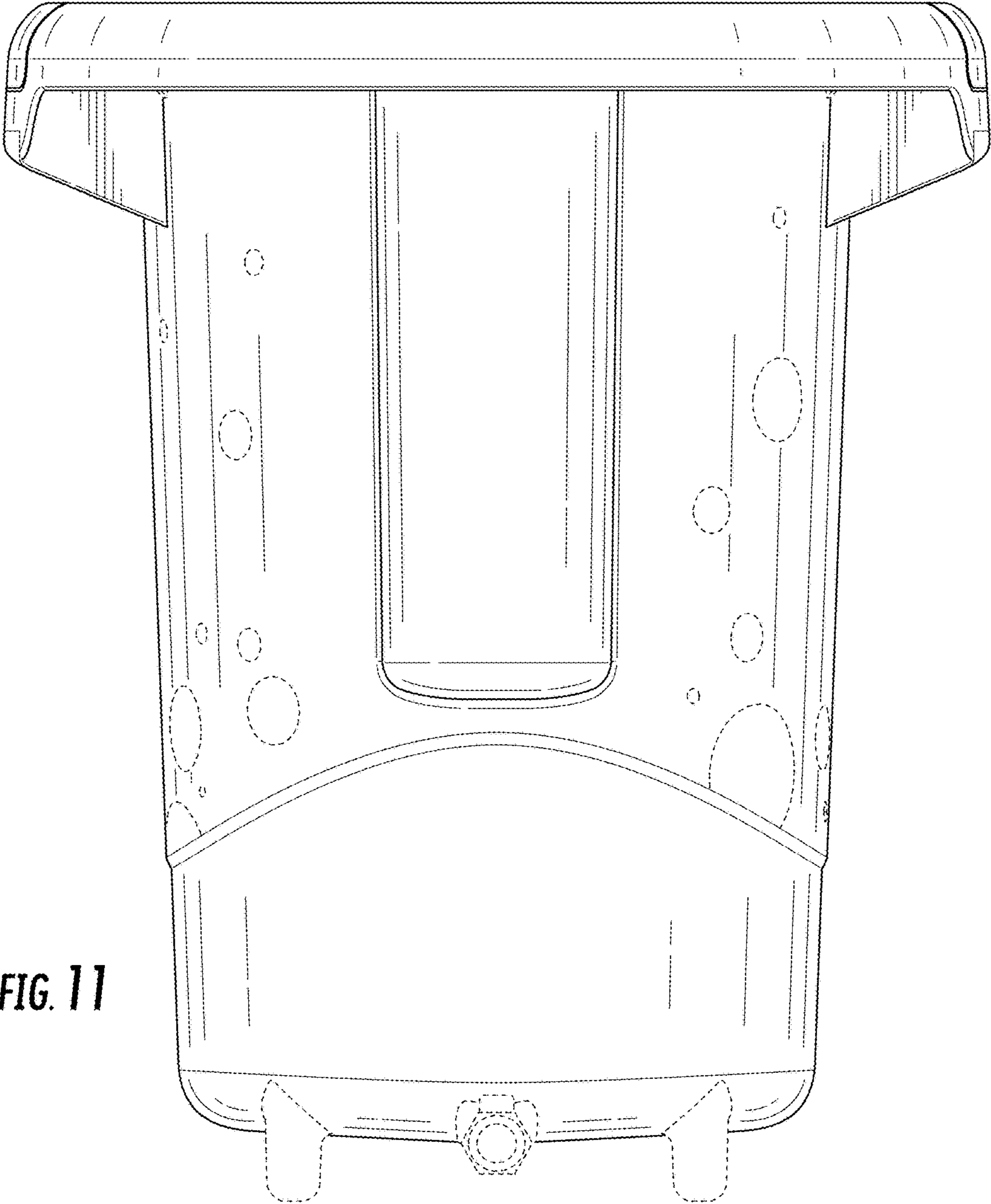


FIG. 11

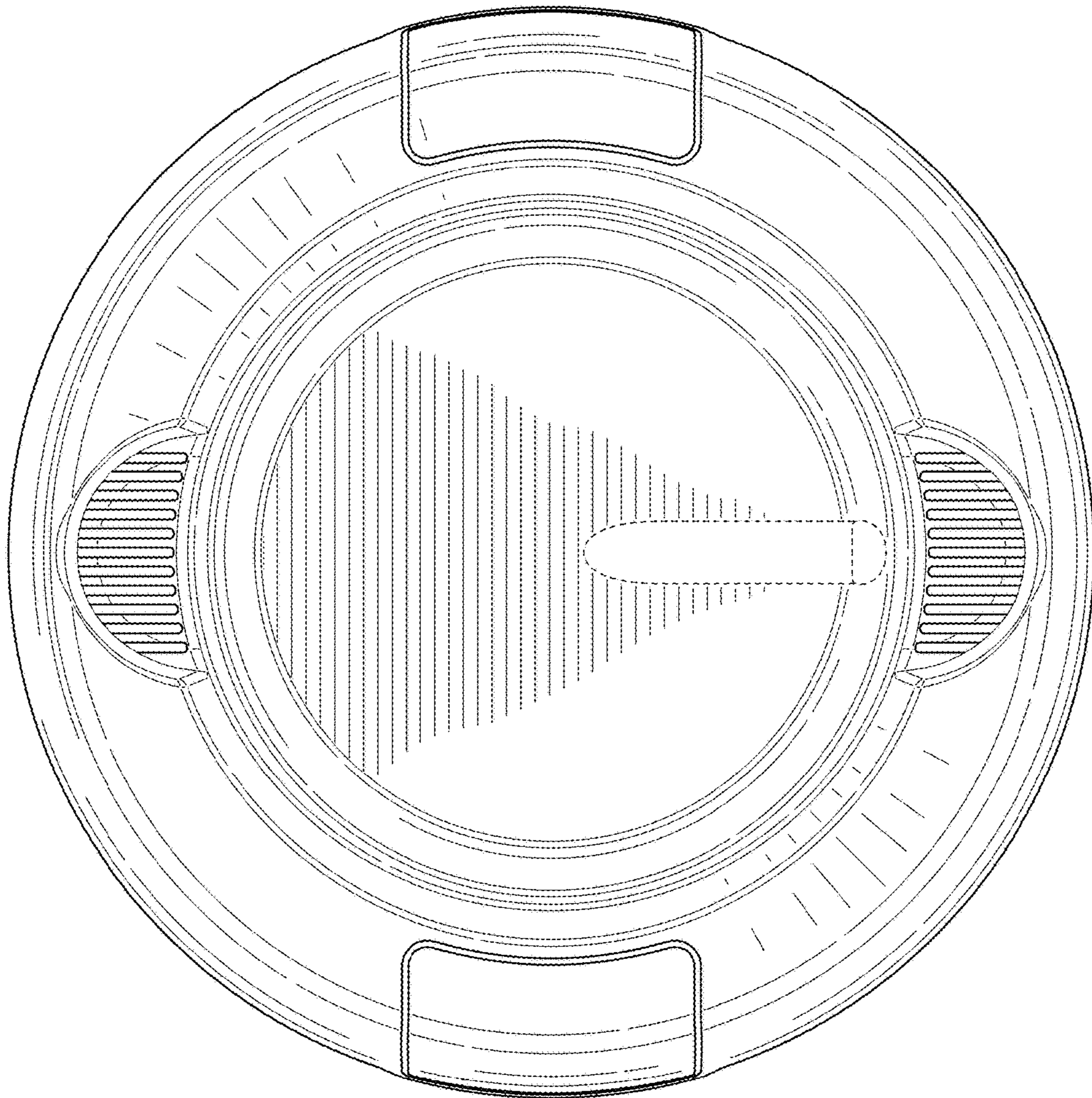


FIG. 12

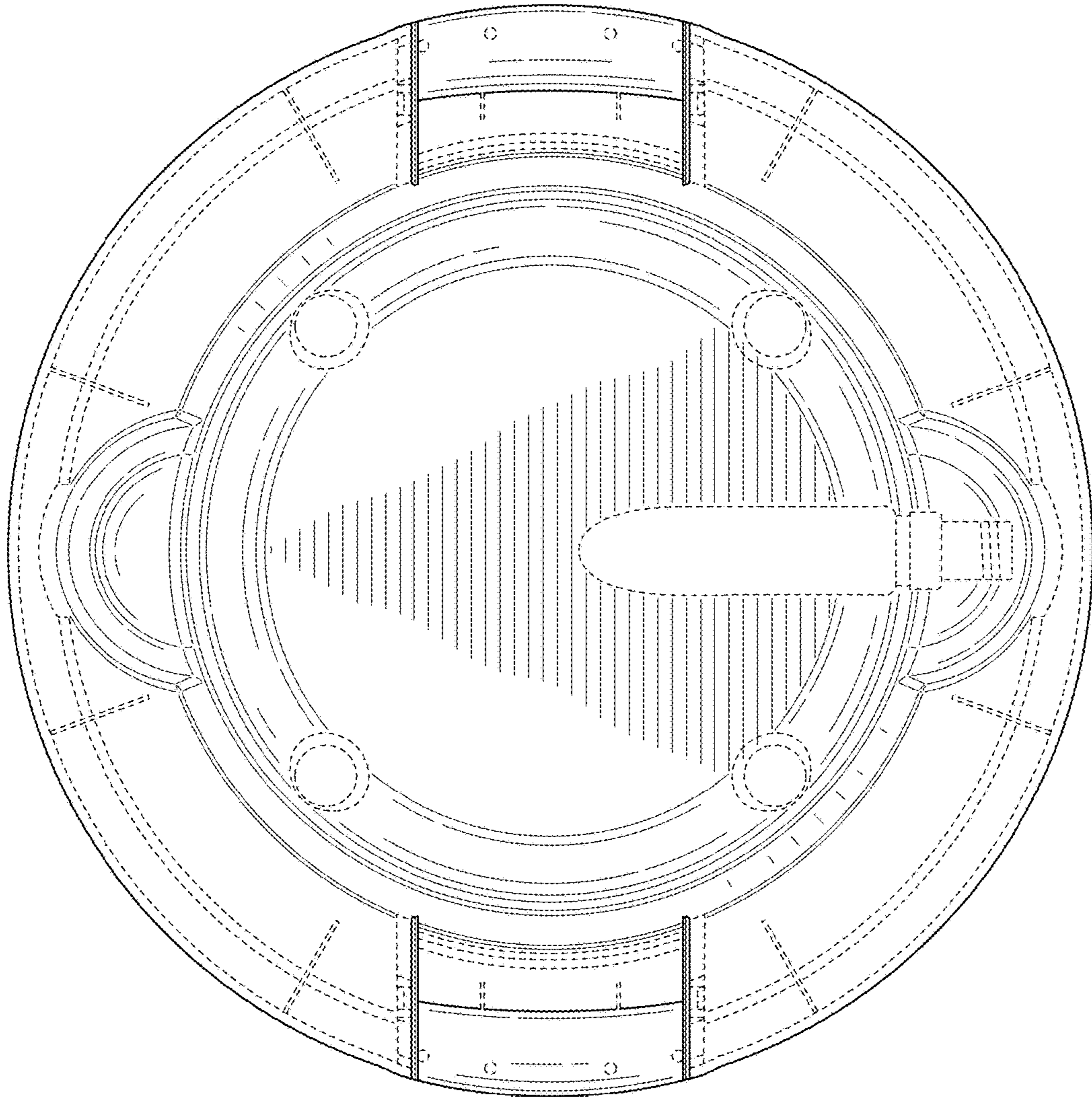


FIG. 13

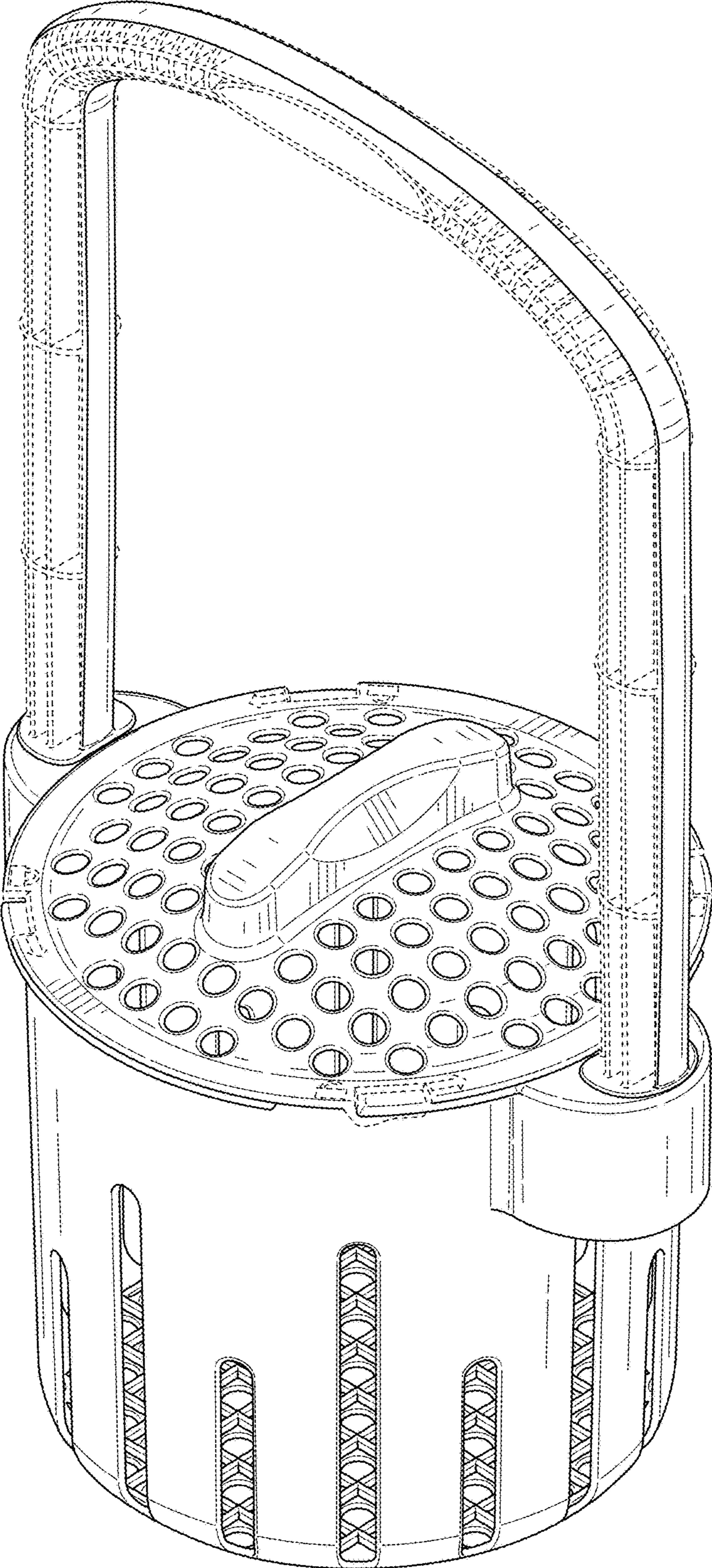


FIG. 14

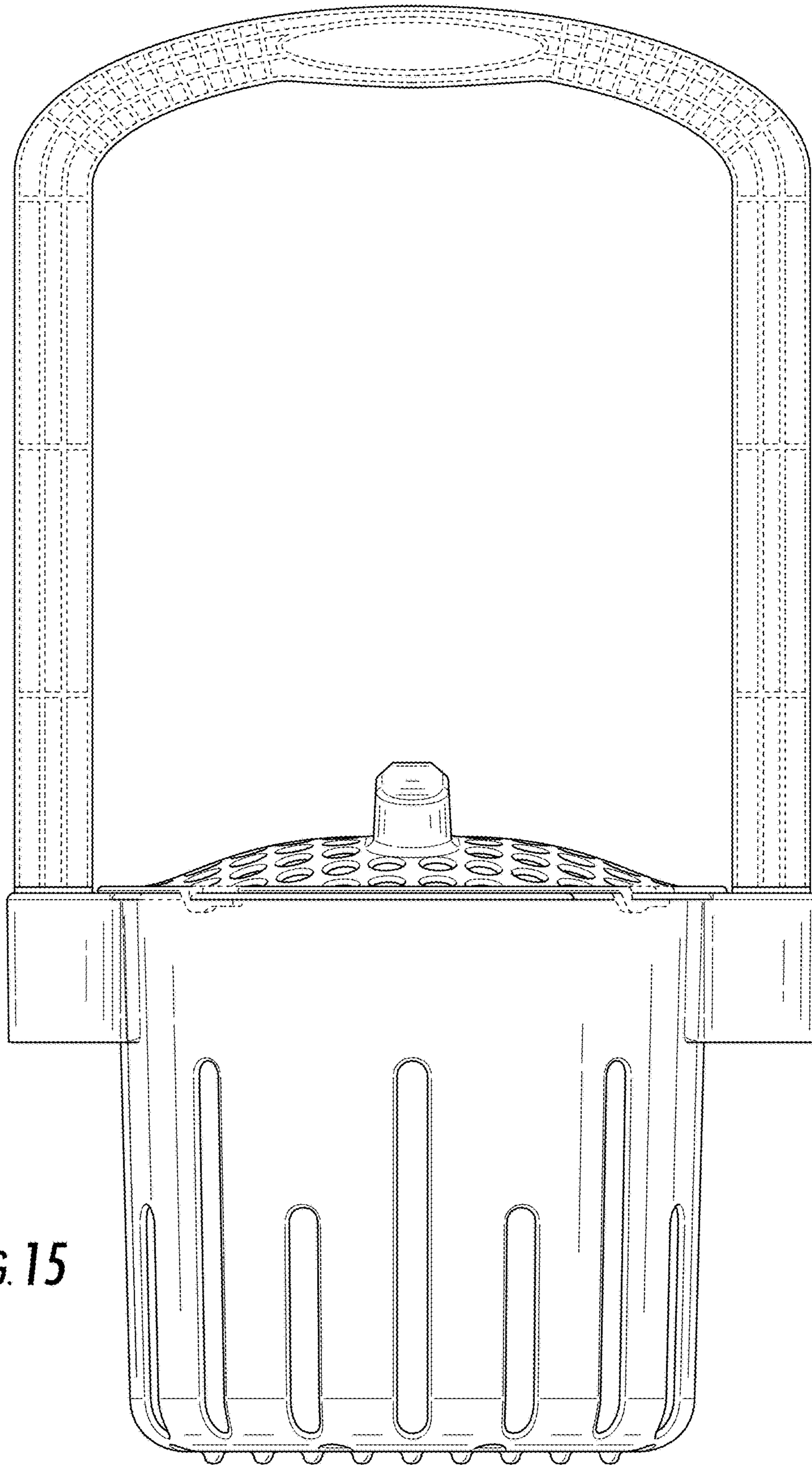


FIG. 15

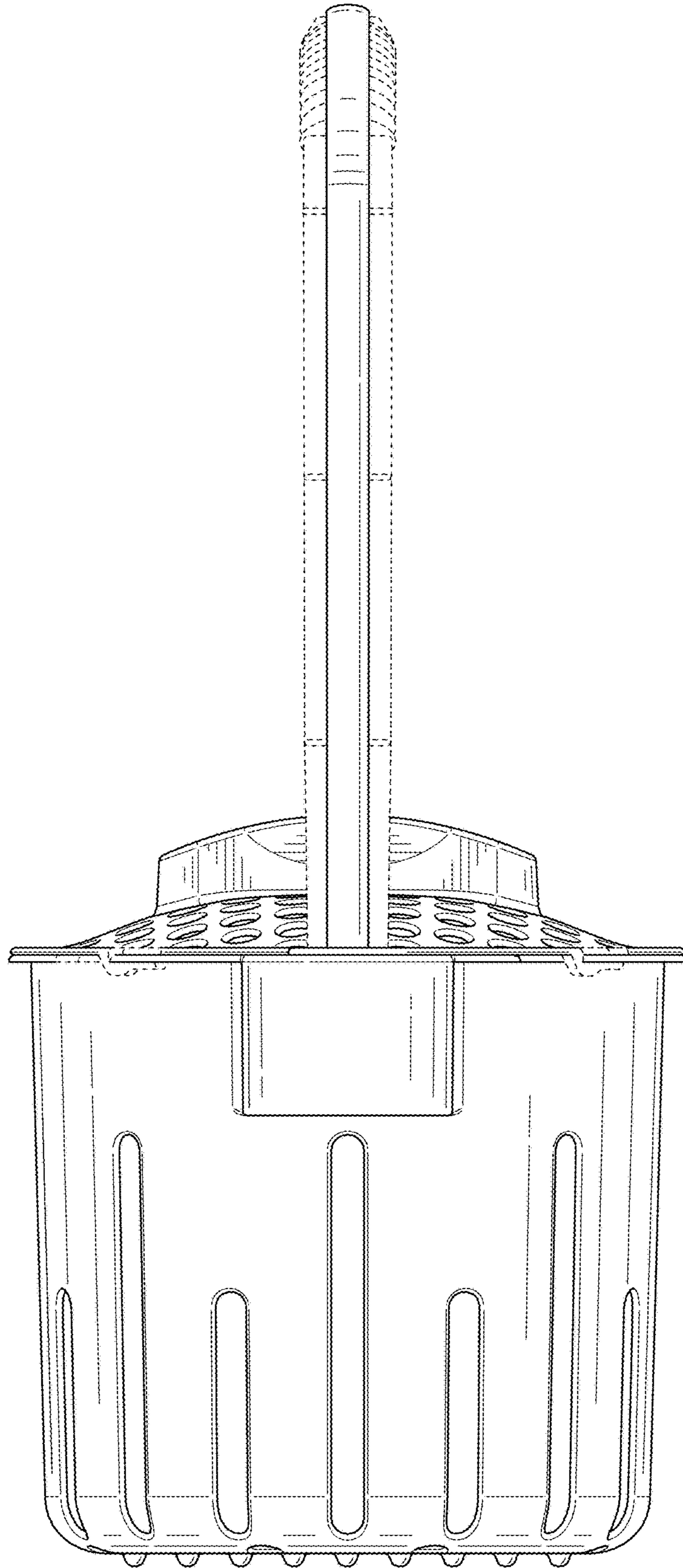


FIG. 16

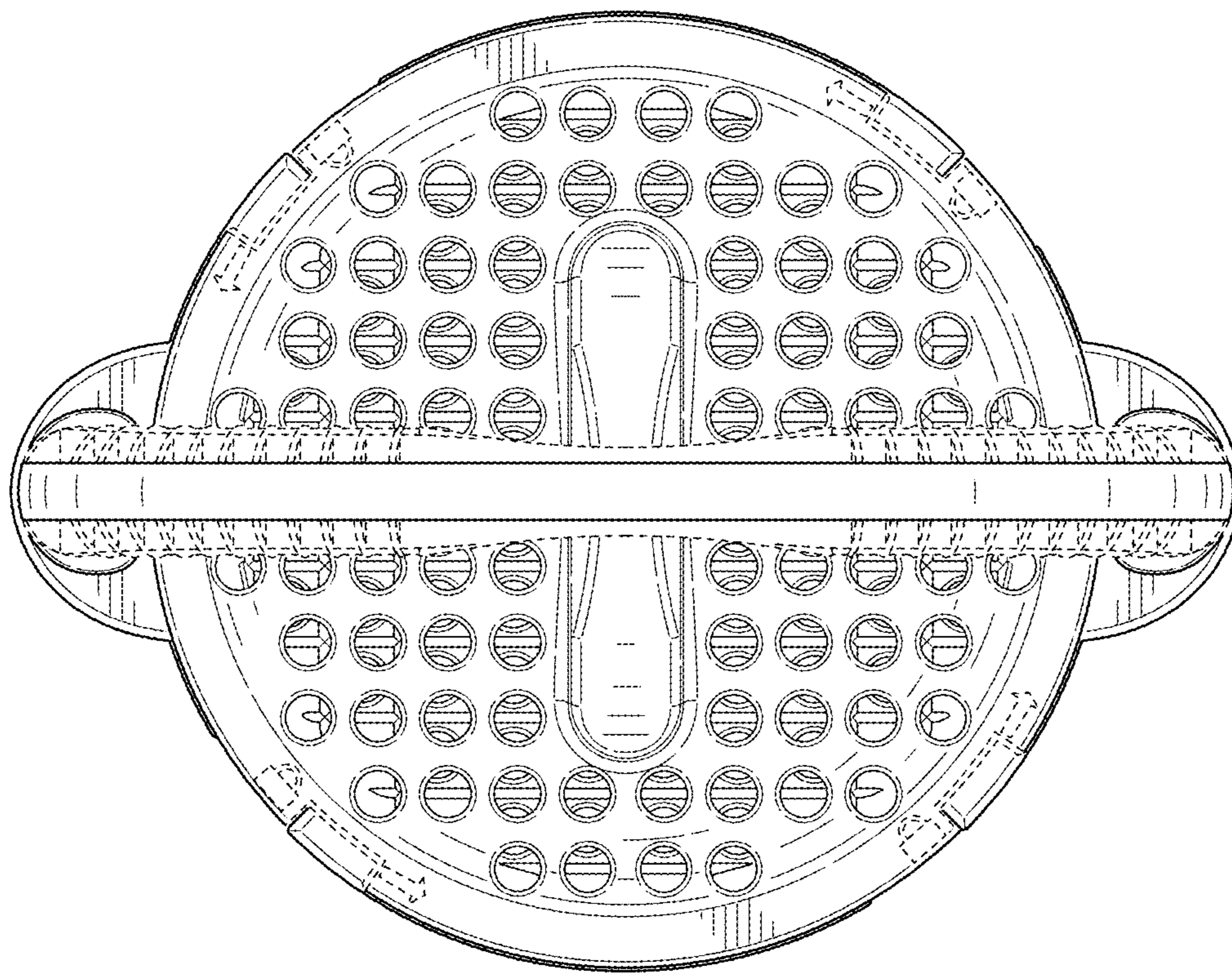


FIG. 17

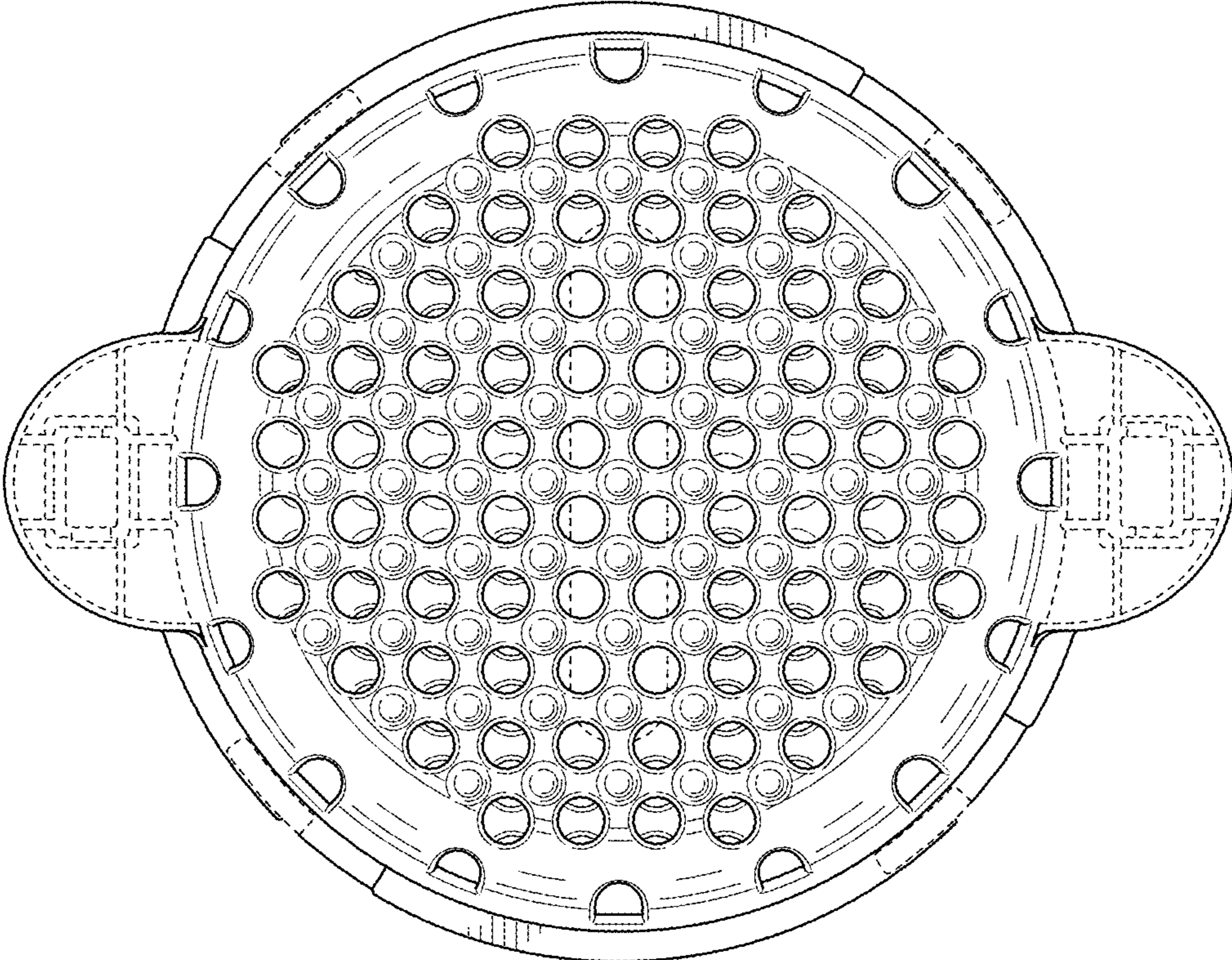


FIG. 18