



US00D816920S

(12) **United States Design Patent** (10) **Patent No.:** **US D816,920 S**
Drinkwater (45) **Date of Patent:** **** May 1, 2018**

(54) **SERVICE DOG VEST**

(71) Applicant: **Patrick Drinkwater**, Haddonfield, NJ (US)

(72) Inventor: **Patrick Drinkwater**, Haddonfield, NJ (US)

(**) Term: **15 Years**

(21) Appl. No.: **29/628,365**

(22) Filed: **Dec. 4, 2017**

Related U.S. Application Data

(63) Continuation-in-part of application No. 29/628,355, filed on Dec. 4, 2017.

(51) **LOC (11) Cl.** **30-04**

(52) **U.S. Cl.**
USPC **D30/152**

(58) **Field of Classification Search**
USPC D30/144, 145, 151, 152, 199; D24/190;
D29/101.1, 101.3, 101.5; D3/217, 231
CPC A01K 27/002
See application file for complete search history.

(56) **References Cited**

U.S. PATENT DOCUMENTS

D459,842 S 7/2002 Kaplan
D480,843 S * 10/2003 Sullivan A01K 27/002
D30/152
D638,176 S * 5/2011 Mugford D30/152
D653,411 S * 1/2012 Elliott D30/144
D677,841 S 3/2013 Gibbs
D681,287 S 4/2013 Collignon

(Continued)

FOREIGN PATENT DOCUMENTS

WO DM/078 625 12/2012
WO DM/095 168 3/2017

OTHER PUBLICATIONS

“LuvDoggy Service Dog Vest-Leash-Dog Tag”. Found online Feb. 15, 2018 at luvdoggy.com. Page dated Feb. 15, 2018. Retrieved from <https://www.luvdoggy.com/collections/dog-vest/products/vest-leash-dog-tag>.*

(Continued)

Primary Examiner — George D. Kirschbaum
Assistant Examiner — Kendra Leslie Hamilton

(57) **CLAIM**

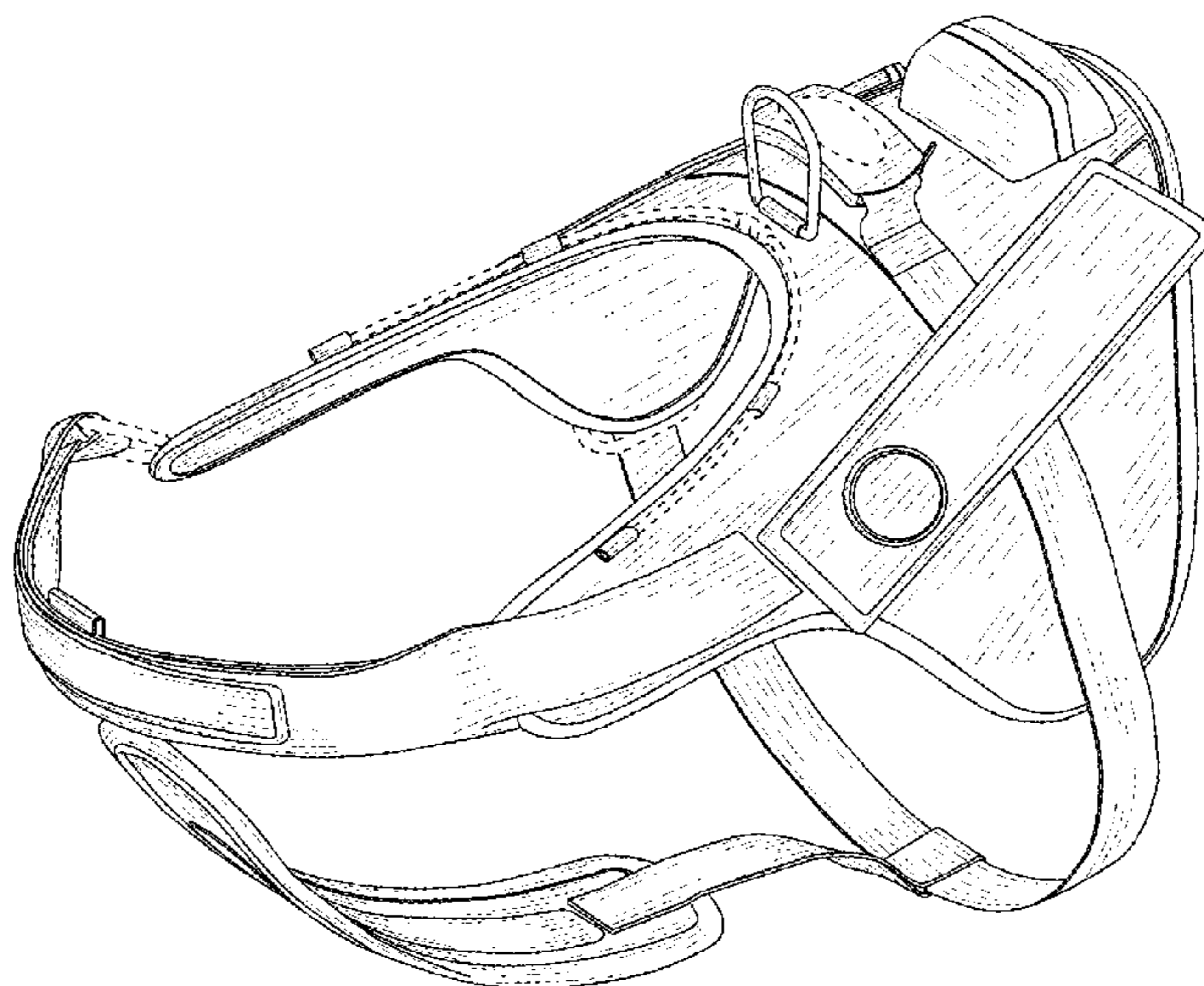
The ornamental design for a service dog vest, as shown and described.

DESCRIPTION

FIG. 1 is a top-back perspective view of a service dog vest showing my new design;
FIG. 2 is a top-front perspective view thereof;
FIG. 3 is a bottom-front perspective view thereof;
FIG. 4 is a top perspective view, showing the service dog vest in an alternate, flat configuration;
FIG. 5 is a bottom perspective view, showing the service dog vest in an alternate, flat configuration;
FIG. 6 is a front view thereof;
FIG. 7 is a back view thereof;
FIG. 8 is a top view thereof;
FIG. 9 is a bottom view thereof;
FIG. 10 is a right view thereof;
FIG. 11 is a left view thereof;
FIG. 12 is a top view, showing the service dog vest in an alternate, flat configuration;
FIG. 13 is a bottom view thereof;
FIG. 14 is a back view thereof;
FIG. 15 is a front view thereof;
FIG. 16 is a right view thereof; and,
FIG. 17 is a left view thereof.

The broken lines in the drawings represent unclaimed environmental subject matter and form no part of the claim.

1 Claim, 17 Drawing Sheets



(56)

References Cited

U.S. PATENT DOCUMENTS

D682,486	S *	5/2013	Sebo	A61D 9/00 D30/152
8,627,788	B2	1/2014	Sebo		
D701,007	S *	3/2014	Krupich	D30/152
D736,482	S *	8/2015	Lapresca	D30/152
D793,631	S *	8/2017	Speed	D30/152
2006/0037562	A1 *	2/2006	Woerner	A01K 27/002 119/856
2011/0067648	A1 *	3/2011	Siklosi	A01K 27/002 119/792
2011/0271913	A1 *	11/2011	Min	A01K 27/002 119/856
2015/0320011	A1 *	11/2015	Thorne	A01K 27/003 119/792
2016/0007570	A1 *	1/2016	Stout	A01K 27/002 119/856
2017/0215386	A1 *	8/2017	Pianelli	A01K 27/006

OTHER PUBLICATIONS

“Feliscanis Tactical Dog Training Vest”. Found online Feb. 15, 2018 at amazon.com. Page dated Nov. 16, 2016. Retrieved from https://www.amazon.com/Feliscanis-Tactical-Training-Harness-Adjustable/dp/B01MQGL32N/ref=cm_cr_arp_d_product_top?ie=UTF8.*

“OUTRY Tactical Dog Training Harness”. Found online Feb. 15, 2018 at amazon.com. Page dated Jan. 22, 2017. Retrieved from https://www.amazon.com/OUTRY-Tactical-Training-Harness-Available/dp/B01NAL5DMY/ref=cm_cr_arp_d_product_top?ie=UTF8.*

“ALBCORP Reflective Service Dog Vest / Harness”. Found online Feb. 10, 2017 at amazon.com. Page dated May 4, 2016. Retrieved from https://www.amazon.com/ALBCORP-Reflective-Service-Polyester-Neoprene/dp/B01M1BHGP2/ref=cm_cr_arp_d_product_top?ie=UTF8.*

* cited by examiner

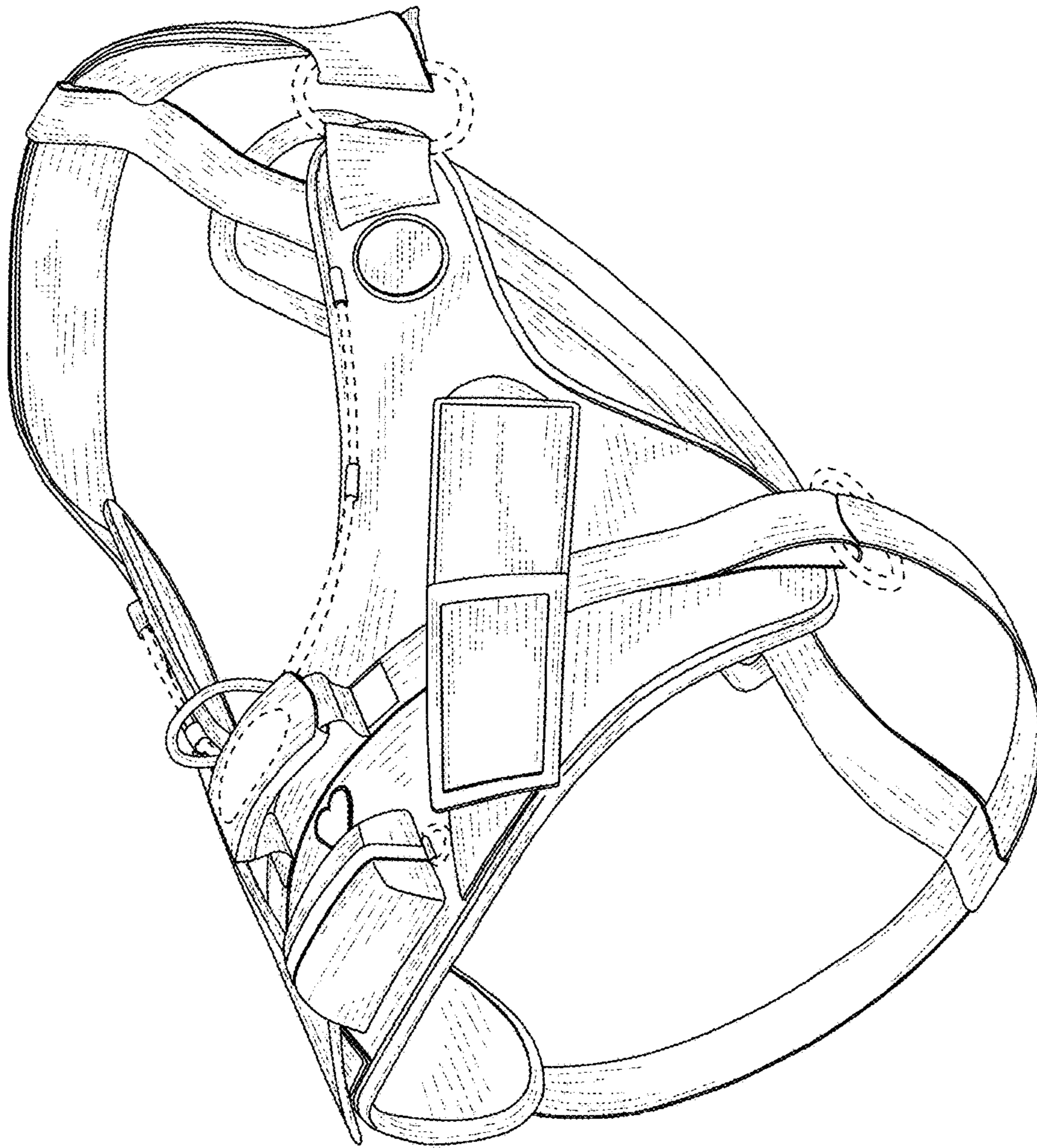


FIG. 1

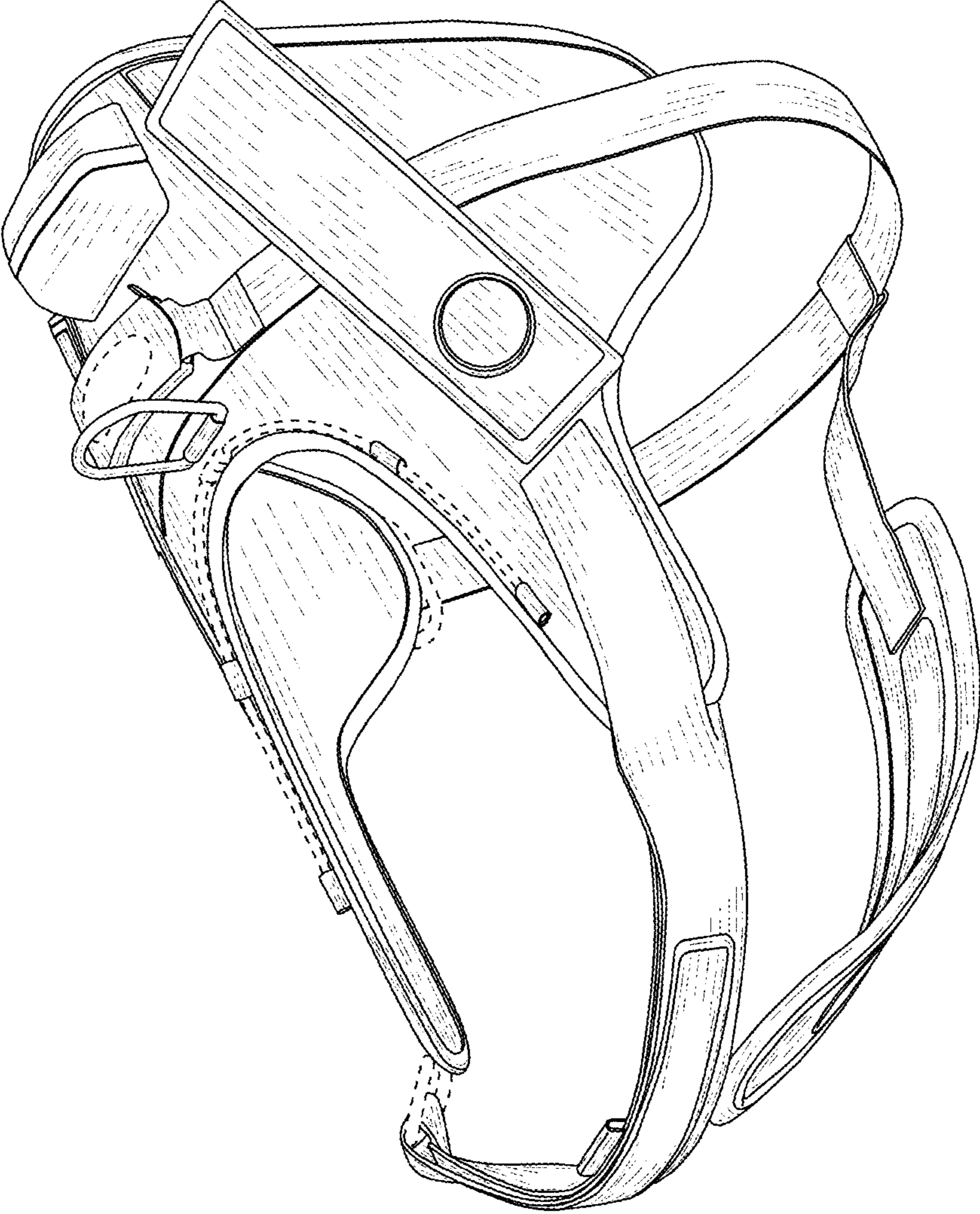


FIG. 2

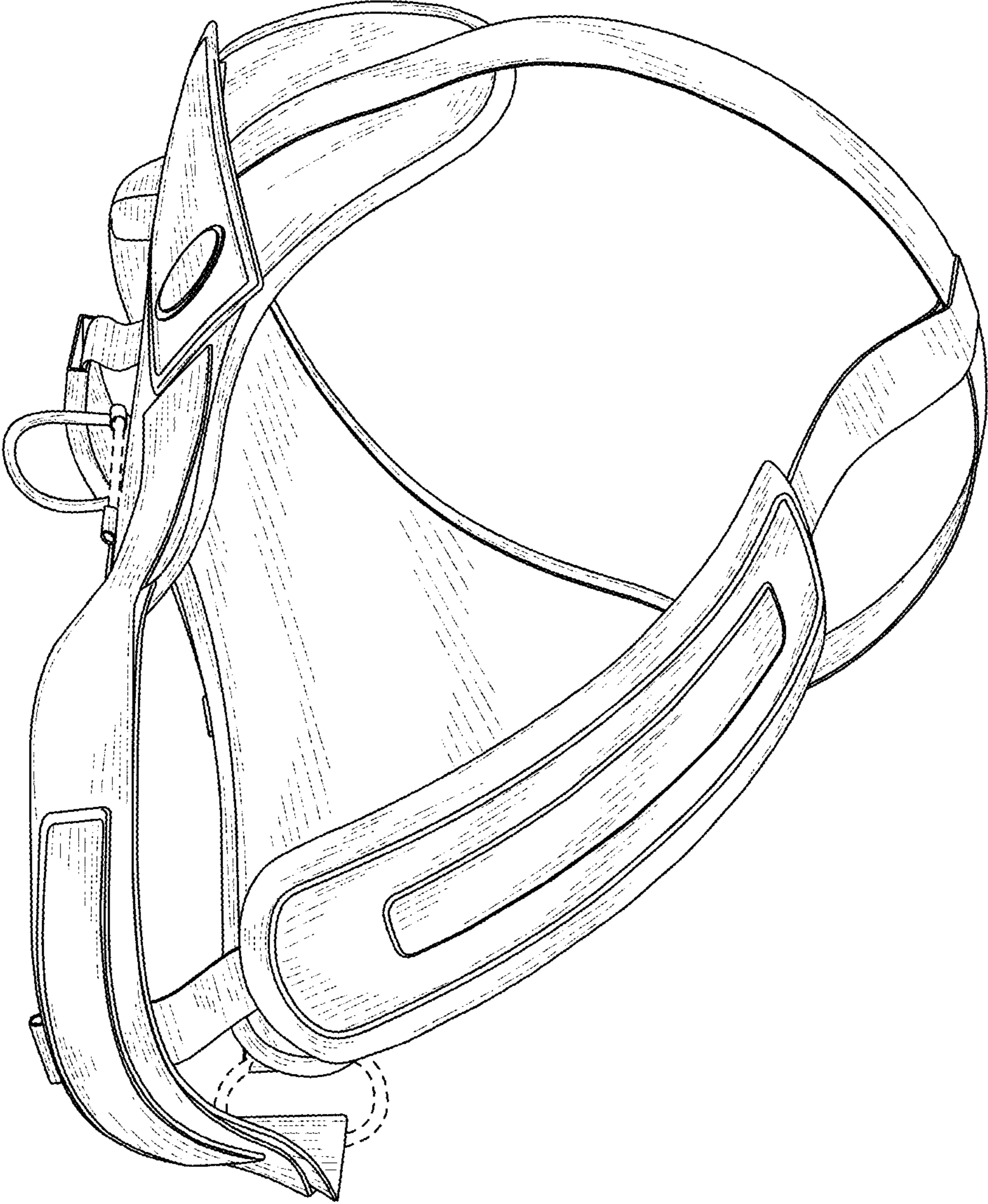


FIG. 3

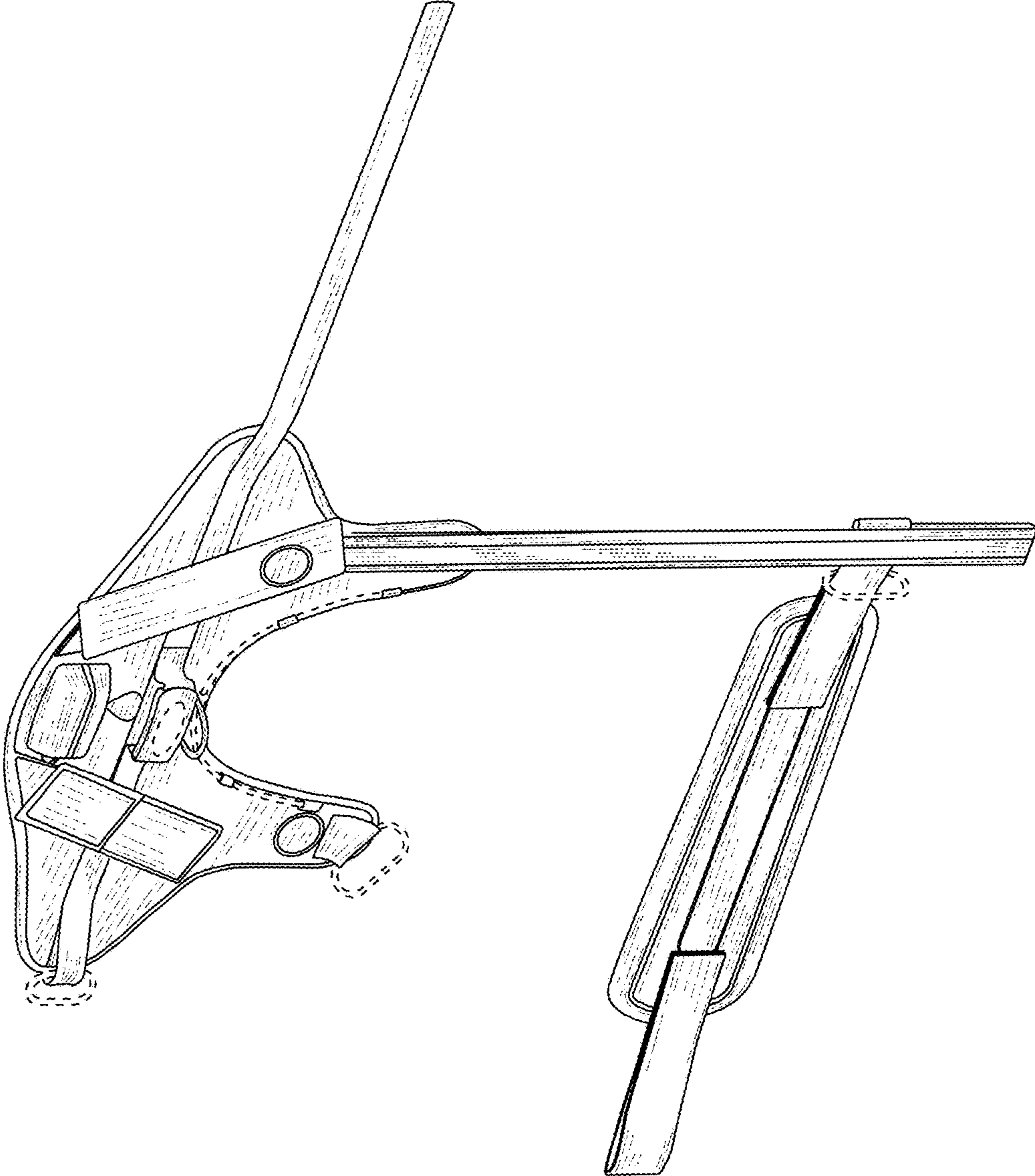


FIG. 4

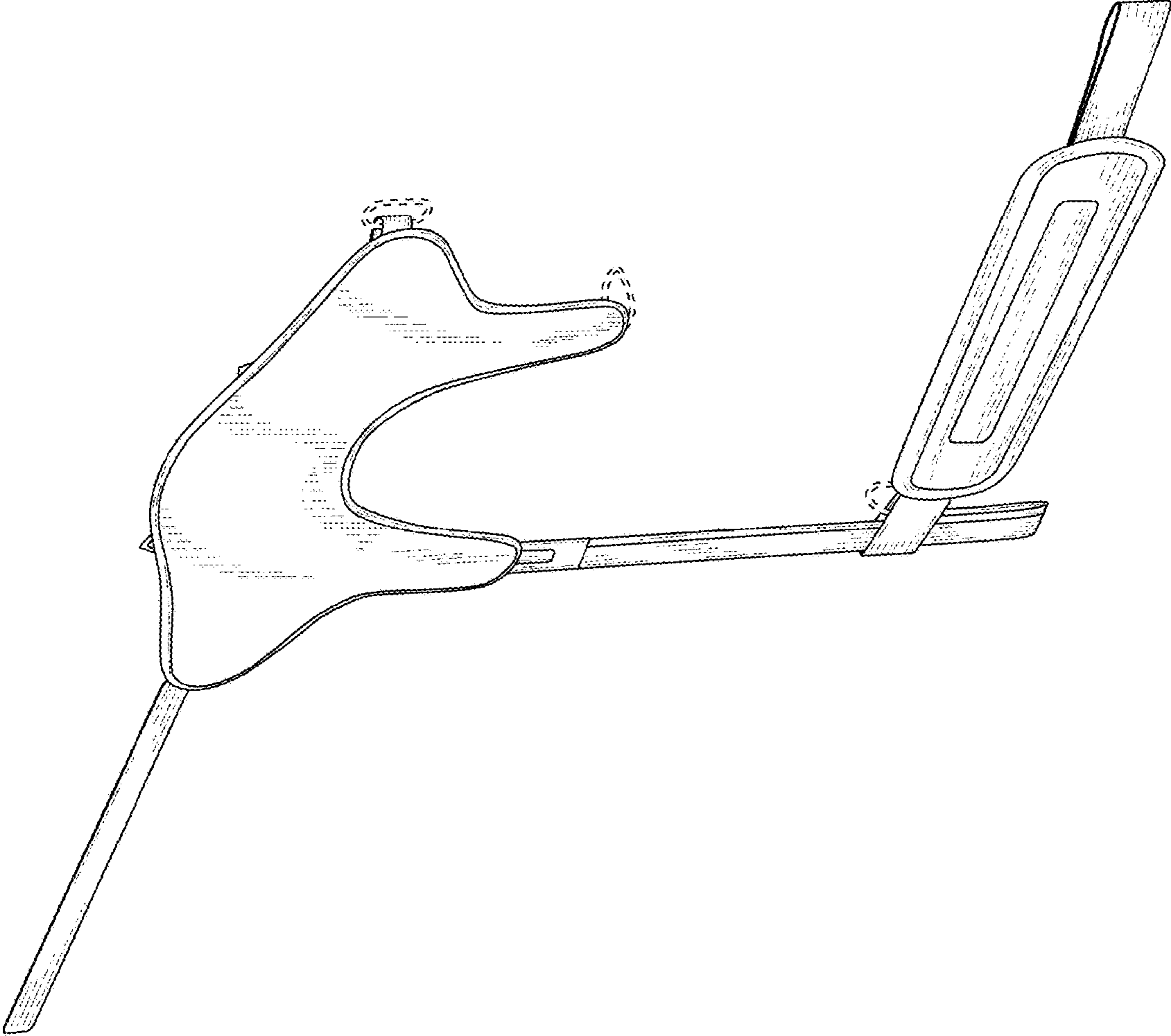


FIG. 5

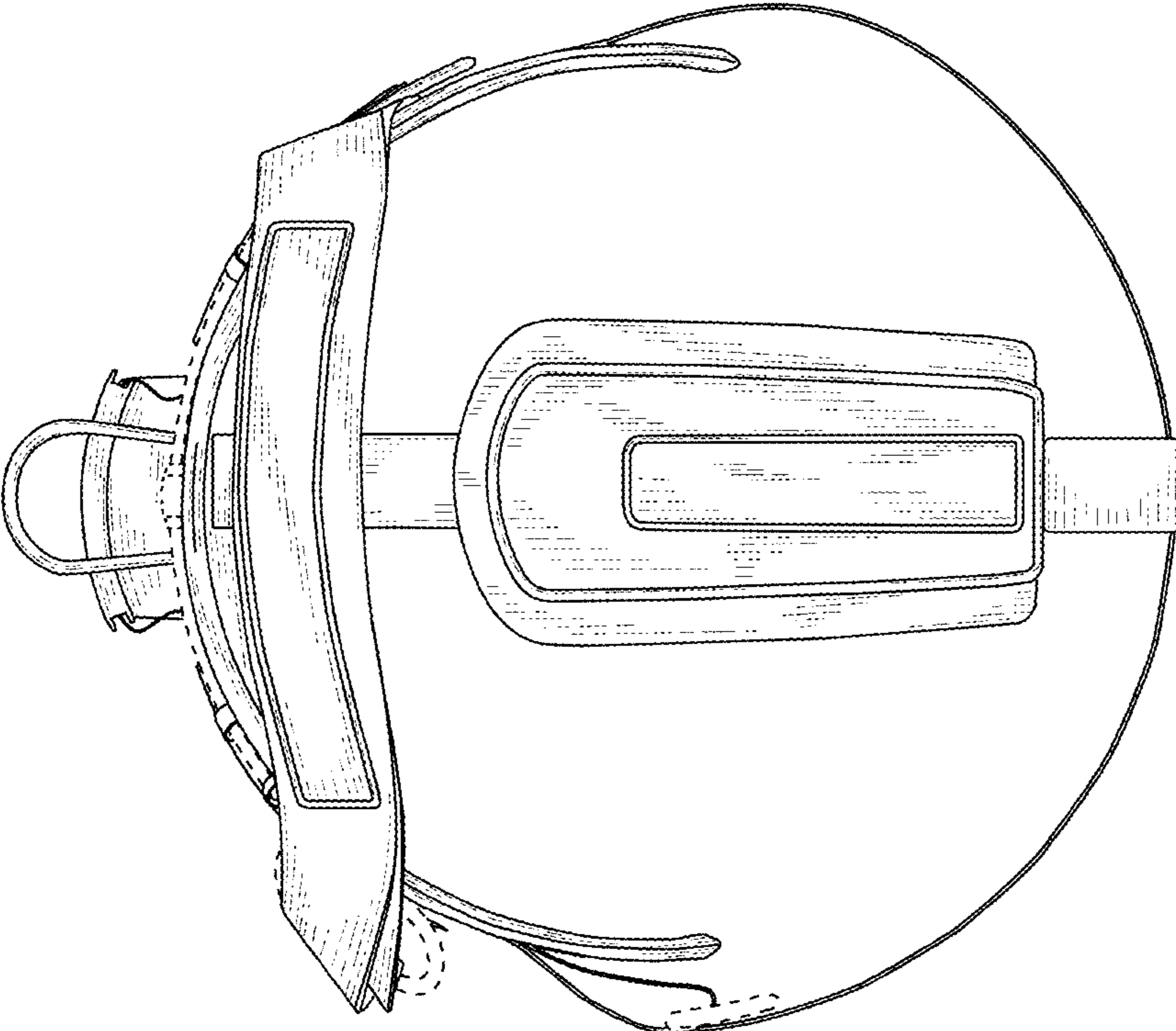


FIG. 6

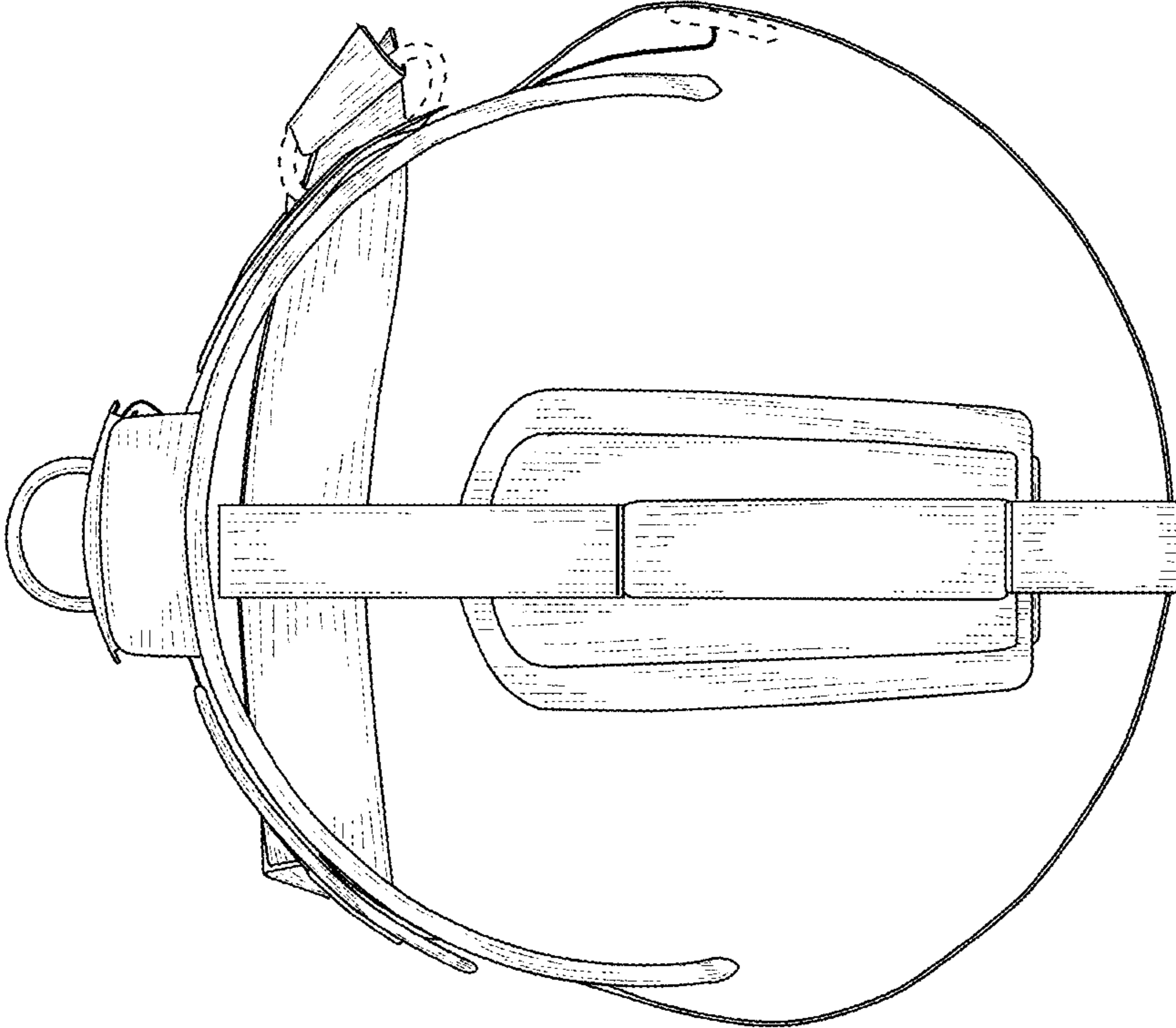


FIG. 7

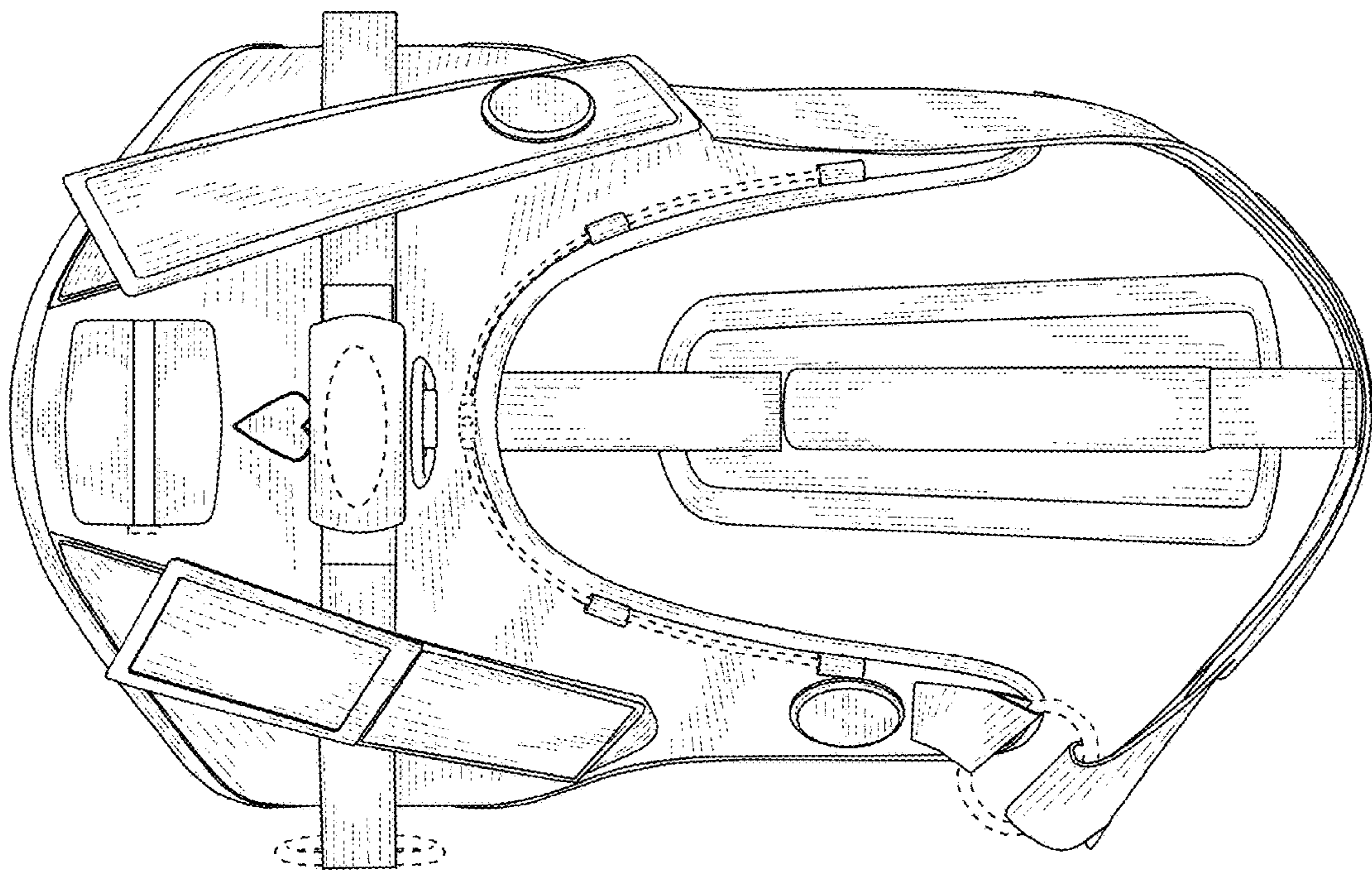


FIG. 8

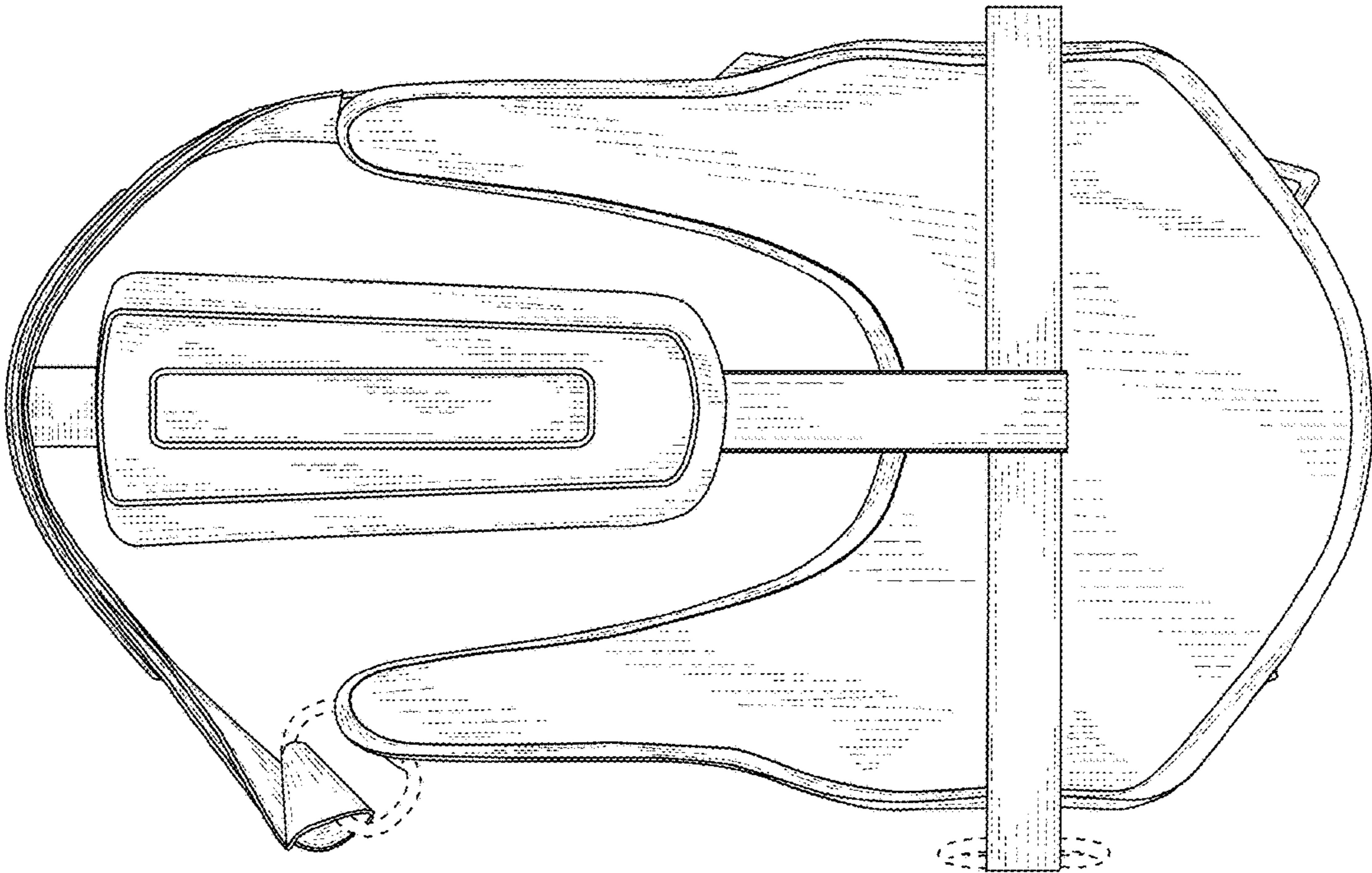


FIG. 9

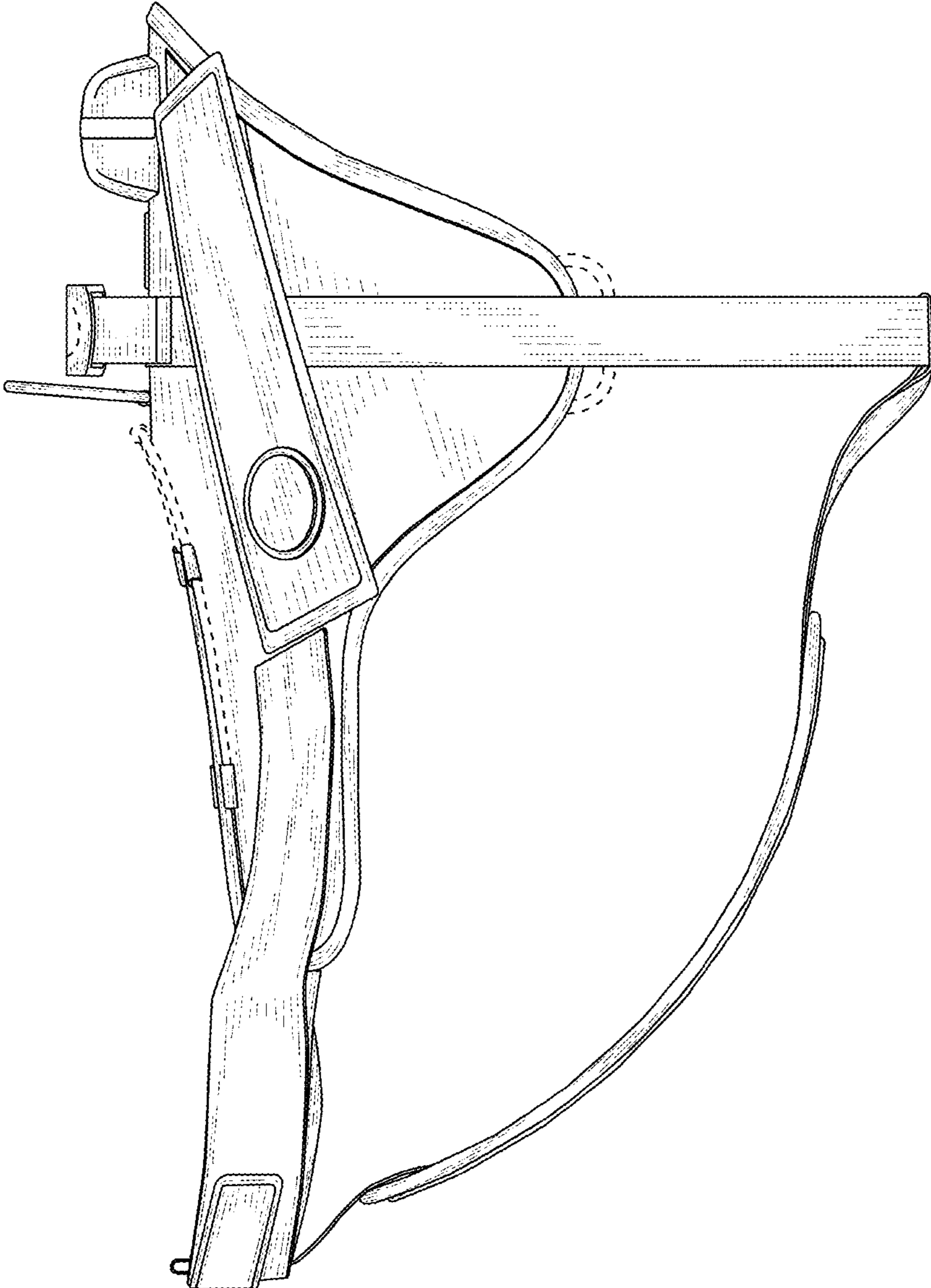


FIG. 10

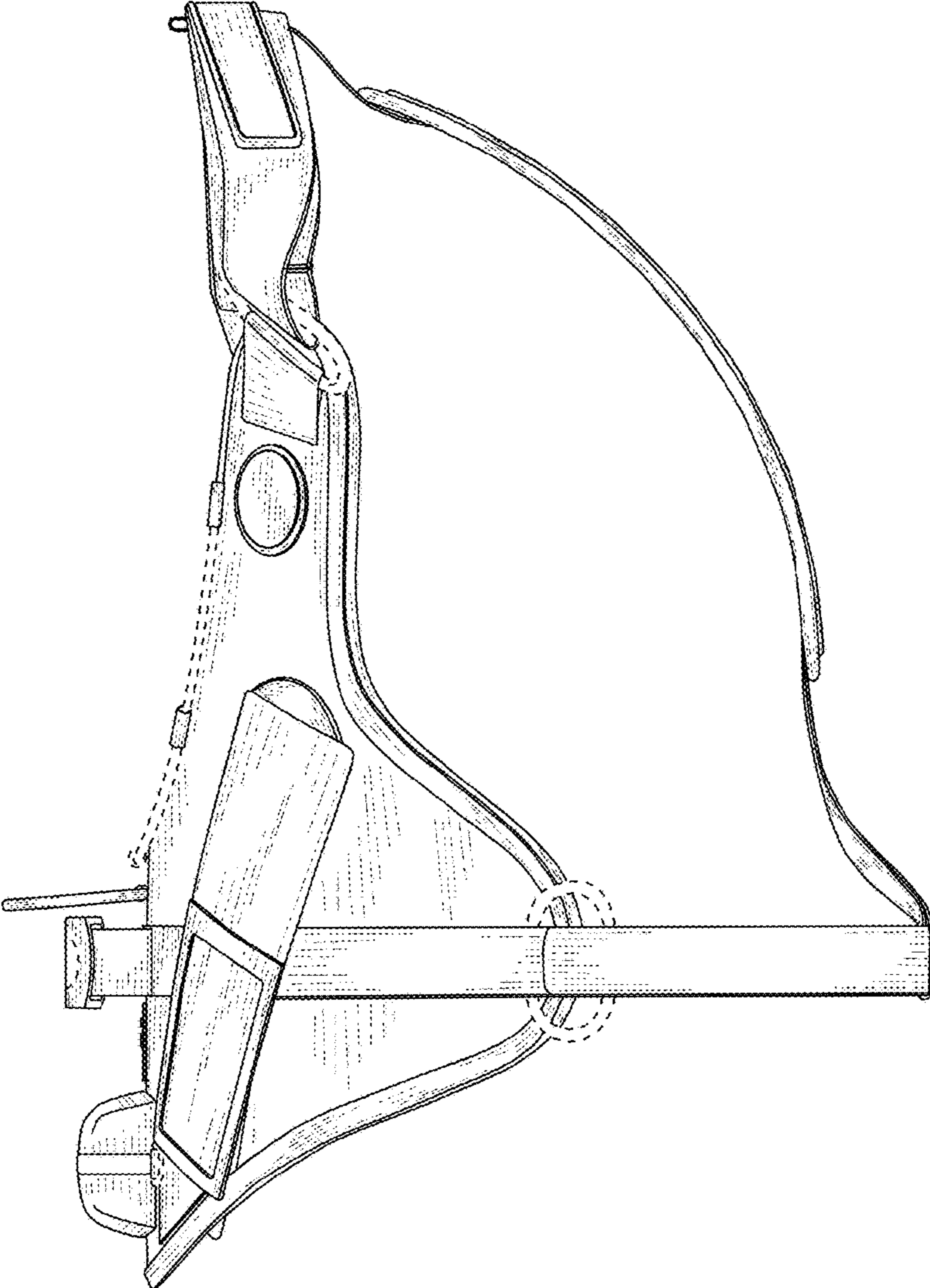


FIG. 11

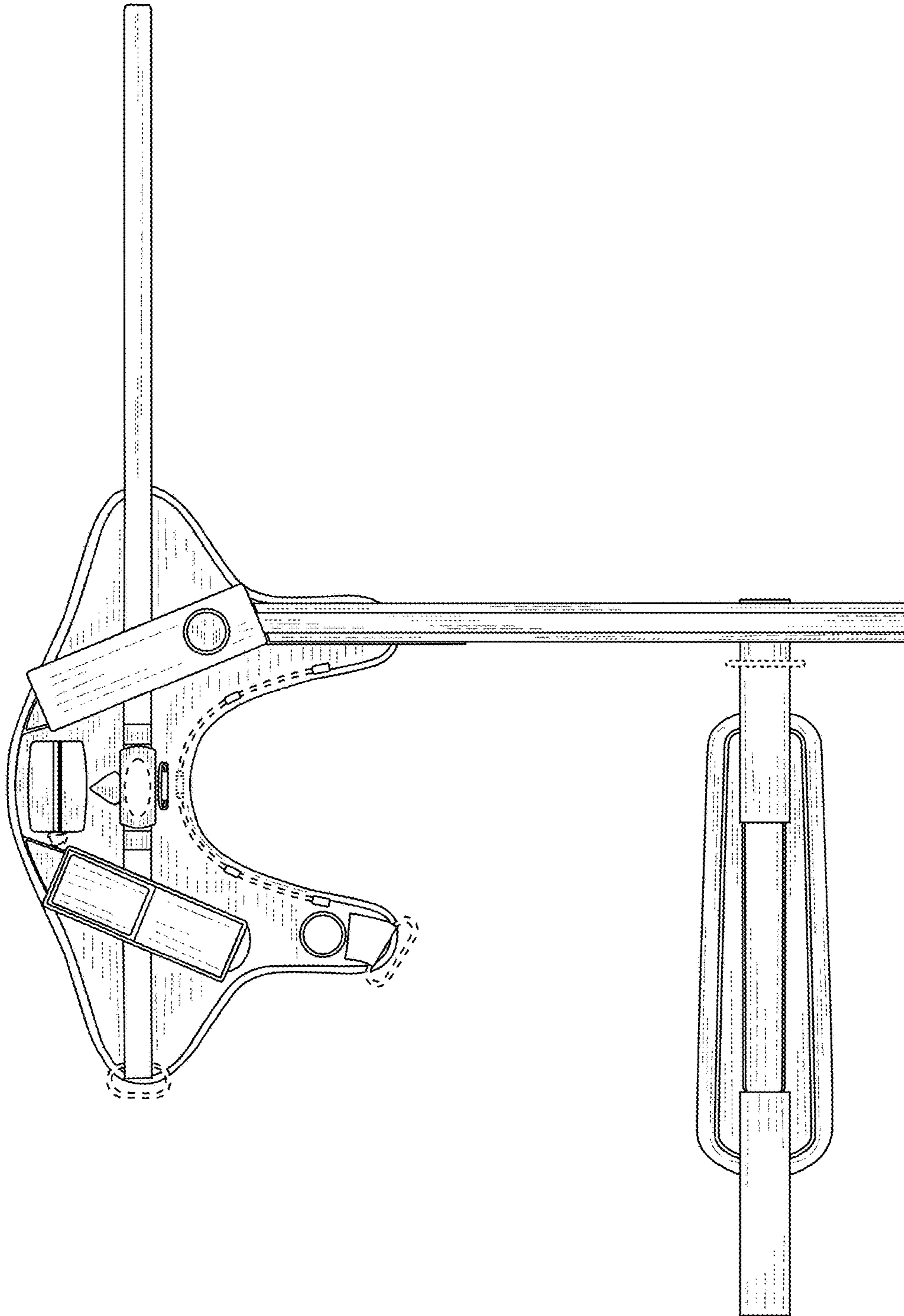


FIG. 12

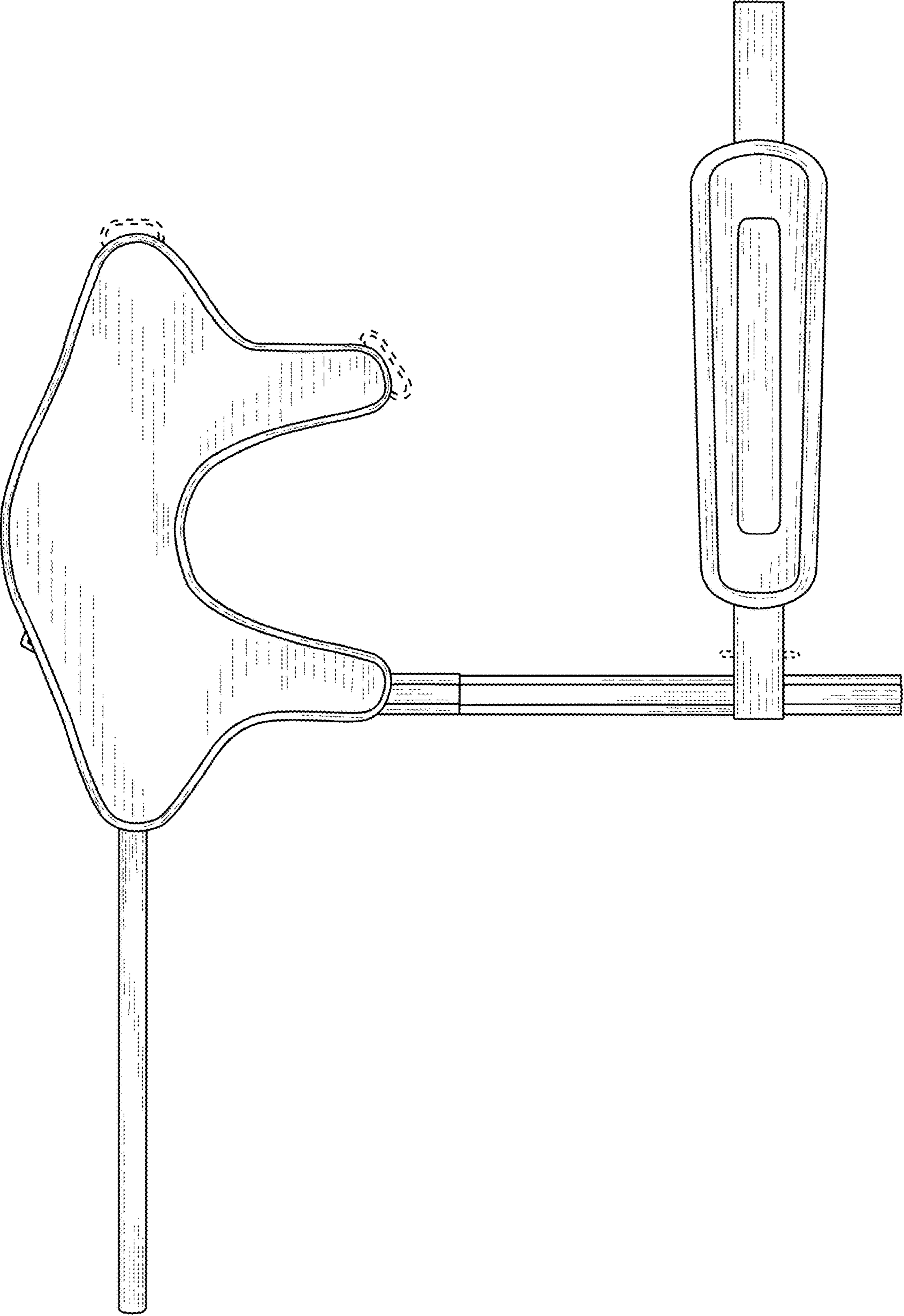


FIG. 13

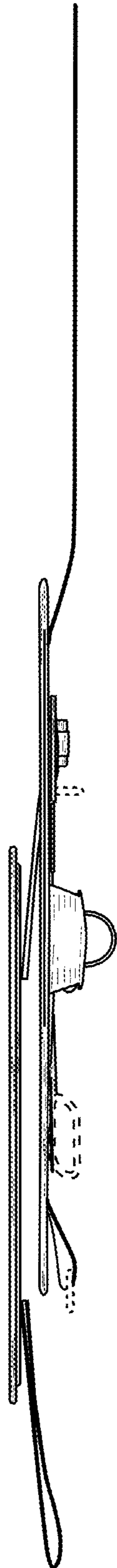


FIG. 14

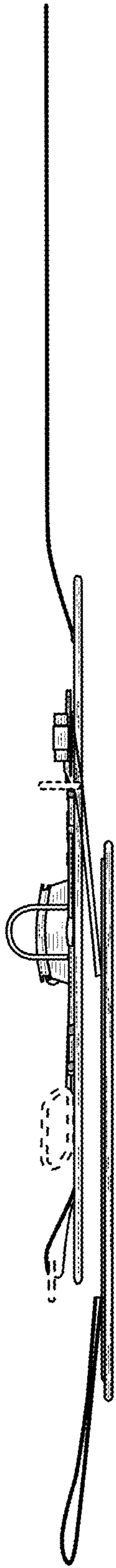


FIG. 15

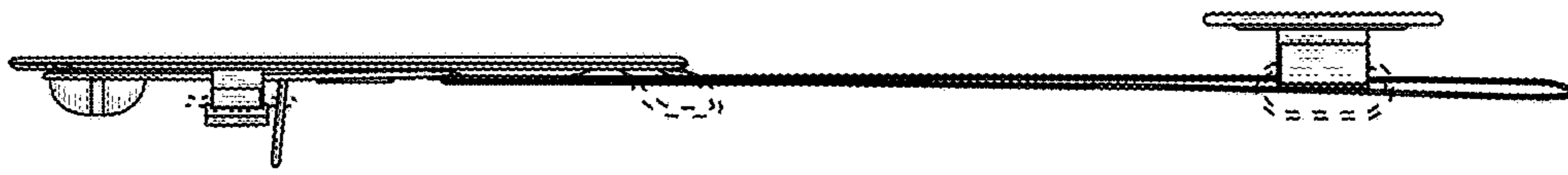


FIG. 16



FIG. 17