

US00D816918S

(12) **United States Design Patent** (10) **Patent No.:** **US D816,918 S**  
**Li** (45) **Date of Patent:** **\*\* May 1, 2018**

(54) **RECEIVER FOR DOG TRAINING COLLAR**  
(71) Applicant: **Shenzhen Patpet Technology Co.,Ltd.,**  
Shenzhen (CN)  
(72) Inventor: **Linxian Li,** Shenzhen (CN)  
(73) Assignee: **Shenzhen Patpet Technology Co.,**  
**Ltd.,** Shenzhen (CN)  
(\*\*) Term: **15 Years**  
(21) Appl. No.: **29/589,059**  
(22) Filed: **Dec. 27, 2016**  
(51) **LOC (11) Cl.** ..... **30-04**  
(52) **U.S. Cl.**  
USPC ..... **D30/152; D30/199**  
(58) **Field of Classification Search**  
USPC ..... D30/144, 151, 152, 155, 199; D24/190;  
D2/627, 894; D29/100, 101.1, 101.2;  
D11/3; D8/300  
CPC ..... A01K 15/021; A01K 27/89  
See application file for complete search history.

(56) **References Cited**  
**U.S. PATENT DOCUMENTS**  
D298,872 S \* 12/1988 Cassel ..... D30/152  
D336,055 S \* 6/1993 Juliana ..... D30/152  
D380,692 S \* 7/1997 Heun ..... D30/152  
D543,884 S \* 6/2007 Schrick ..... D30/199  
D555,298 S \* 11/2007 Garon ..... D30/152  
D683,915 S \* 6/2013 So ..... D30/152  
D708,798 S \* 7/2014 MacDonald ..... D30/199  
D788,999 S \* 6/2017 Zinn ..... D30/152  
2002/0139565 A1\* 10/2002 Bradford ..... A01K 27/009  
174/188  
2003/0116101 A1\* 6/2003 Kim ..... A01K 15/021  
119/720

2008/0074958 A1\* 3/2008 Moran ..... G04B 37/1486  
368/282  
2011/0132275 A1\* 6/2011 Huo ..... A01K 15/021  
119/720  
2013/0233252 A1\* 9/2013 Bellon ..... A01K 15/021  
119/720

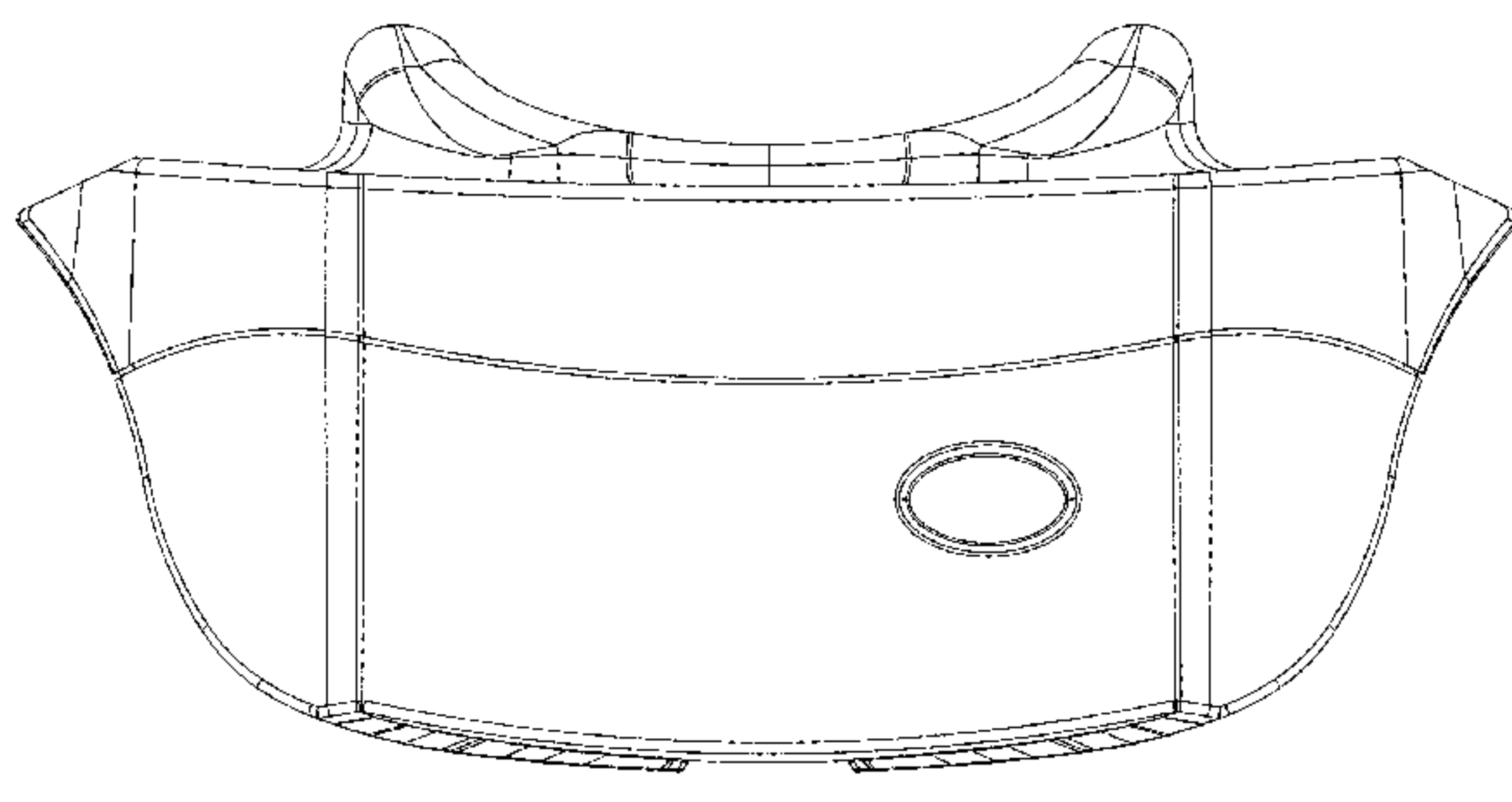
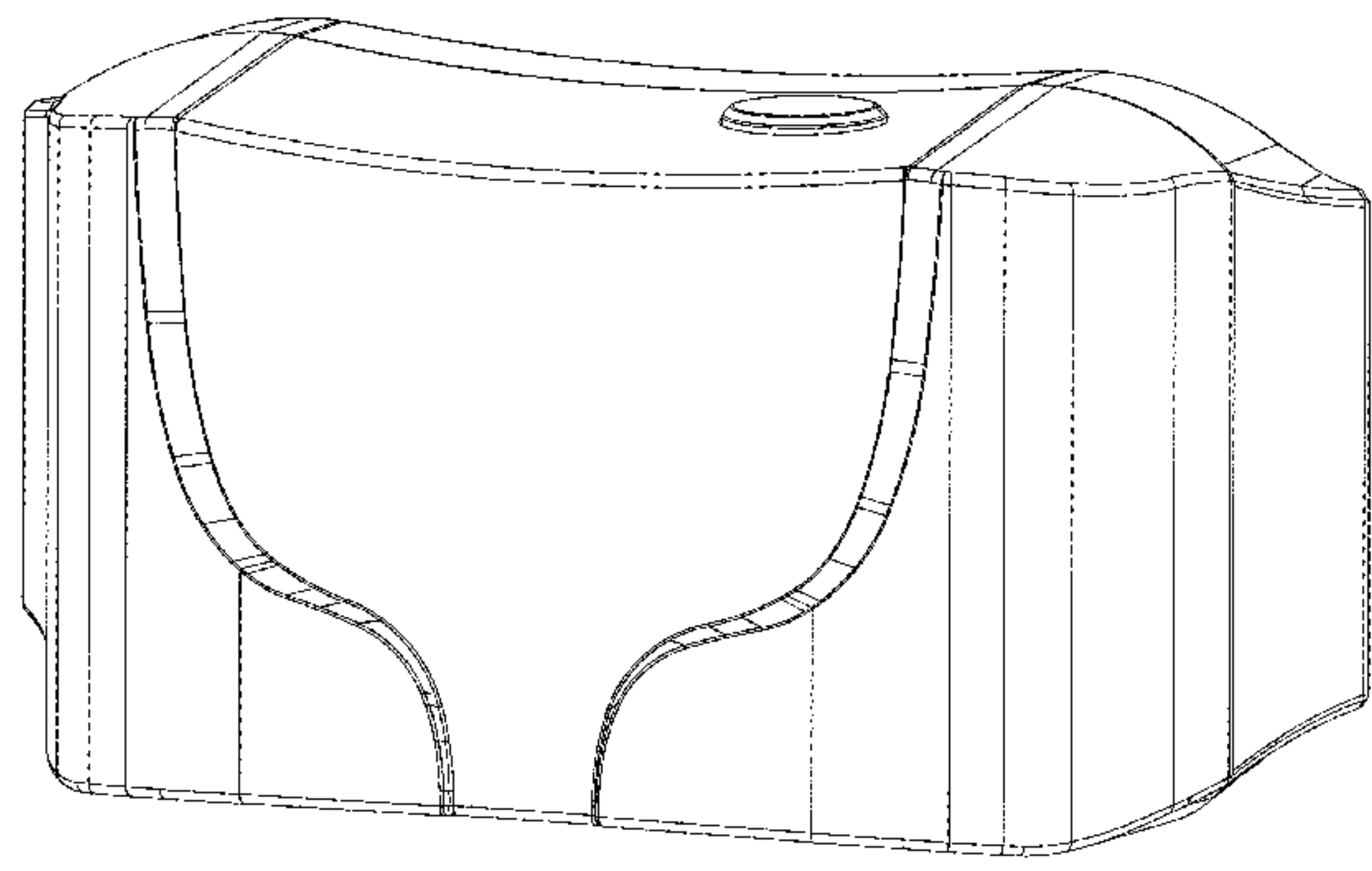
**OTHER PUBLICATIONS**  
“SportDOG Brand SportHunter 1225”. Found online Dec. 8, 2016 at amazon.com. Page dated Apr. 9, 2011. Retrieved from https://www.amazon.com/SportDOG-Brand-SD-1225-SportHunter-1225/dp/B003A1UGPK/ref=cm\_cr\_ar\_p\_d\_product\_top?ie=UTF8.\*  
“Tracksafe Buddy—Pet GPS Tracker Smart Dog Collar”. Found online Sep. 7, 2017 at amazon.in. Page dated Nov. 24, 2015. Retrieved from https://www.amazon.in/Tracksafe-Buddy-Tracker-Collar-Device/dp/B018I42YNA/ref=sr\_1\_50?ie=UTF8&qid=1504805832&sr=8-50&keywords=training+collar.\*

(Continued)  
*Primary Examiner* — George D. Kirschbaum  
*Assistant Examiner* — Kendra Leslie Hamilton  
(74) *Attorney, Agent, or Firm* — JiangIP LLC; Yanling Jiang

(57) **CLAIM**  
The ornamental design for a receiver for dog training collar, as shown and described.

**DESCRIPTION**  
FIG. 1 is a top front left perspective view of a receiver for dog training collar, showing my new design;  
FIG. 2 is a front elevational view thereof;  
FIG. 3 is a rear elevational view thereof;  
FIG. 4 is a top plan view thereof;  
FIG. 5 is a bottom plan view thereof;  
FIG. 6 is a right side elevational view thereof; and,  
FIG. 7 is a left side elevational view thereof.  
The broken lines showing portions of the article form no part of the claimed design.

**1 Claim, 7 Drawing Sheets**



(56)

**References Cited**

OTHER PUBLICATIONS

“Highly programmable GPS tracking collars”. Found online Dec. 11, 2016 at [telemetrysolutions.com](http://telemetrysolutions.com). Page dated May 31, 2013. Retrieved from <https://web.archive.org/web/20130531192148/http://www.telemetrysolutions.com/track-wildlife/gps-for-wolf-canis-lupis.php>.\*

“Garmin Delta Sport Dog Training Collar and Bark Limiter”. Found online Dec. 8, 2016 at [amazon.com](http://amazon.com). Page dated Jun. 12, 2013. Retrieved from [https://www.amazon.com/Garmin-Delta-Training-Collar-Limiter/dp/B00B20M8S4/ref=cm\\_cr\\_ar\\_p\\_d\\_product\\_top?ie=UTF8](https://www.amazon.com/Garmin-Delta-Training-Collar-Limiter/dp/B00B20M8S4/ref=cm_cr_ar_p_d_product_top?ie=UTF8).\*

\* cited by examiner

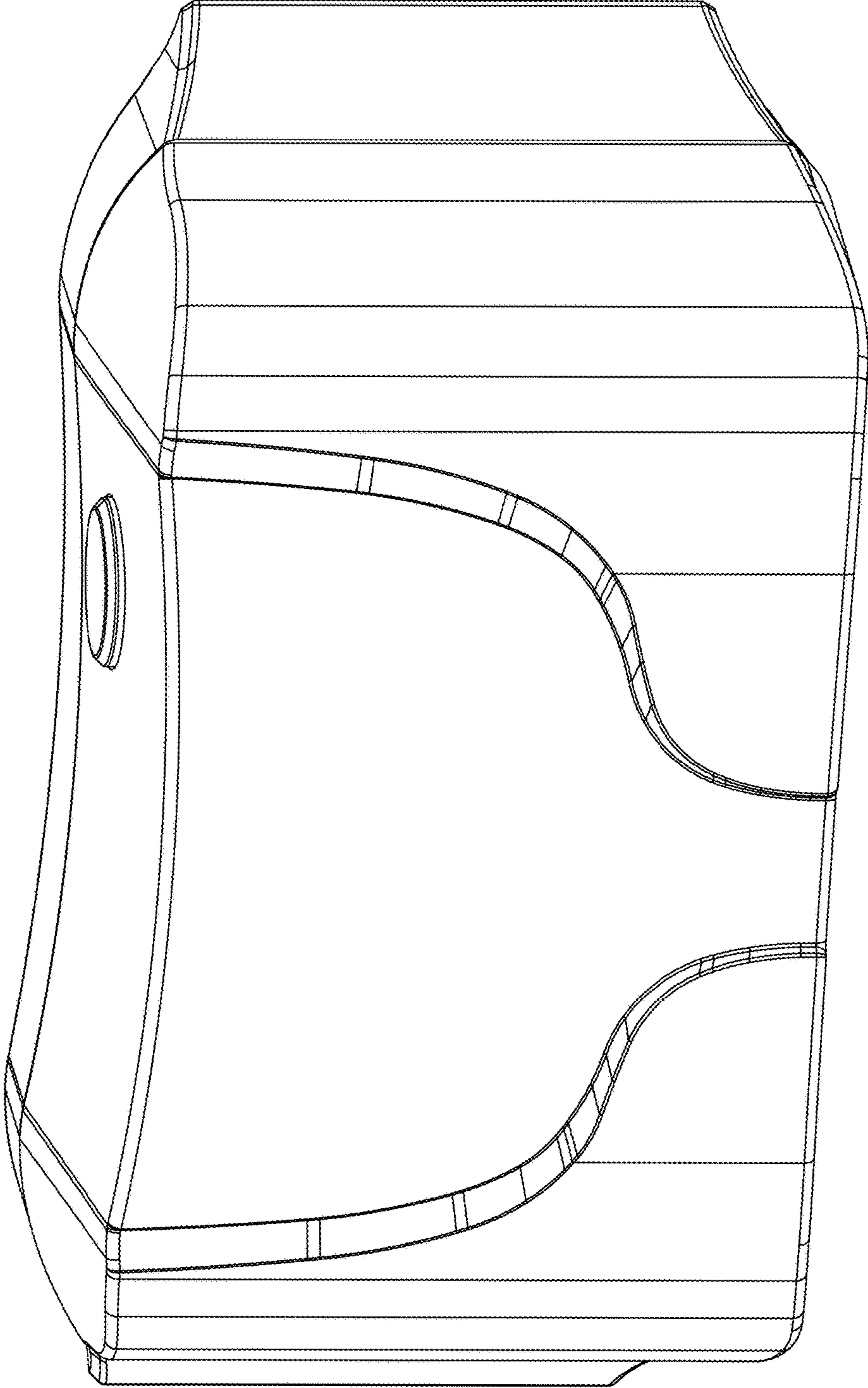


Fig. 1

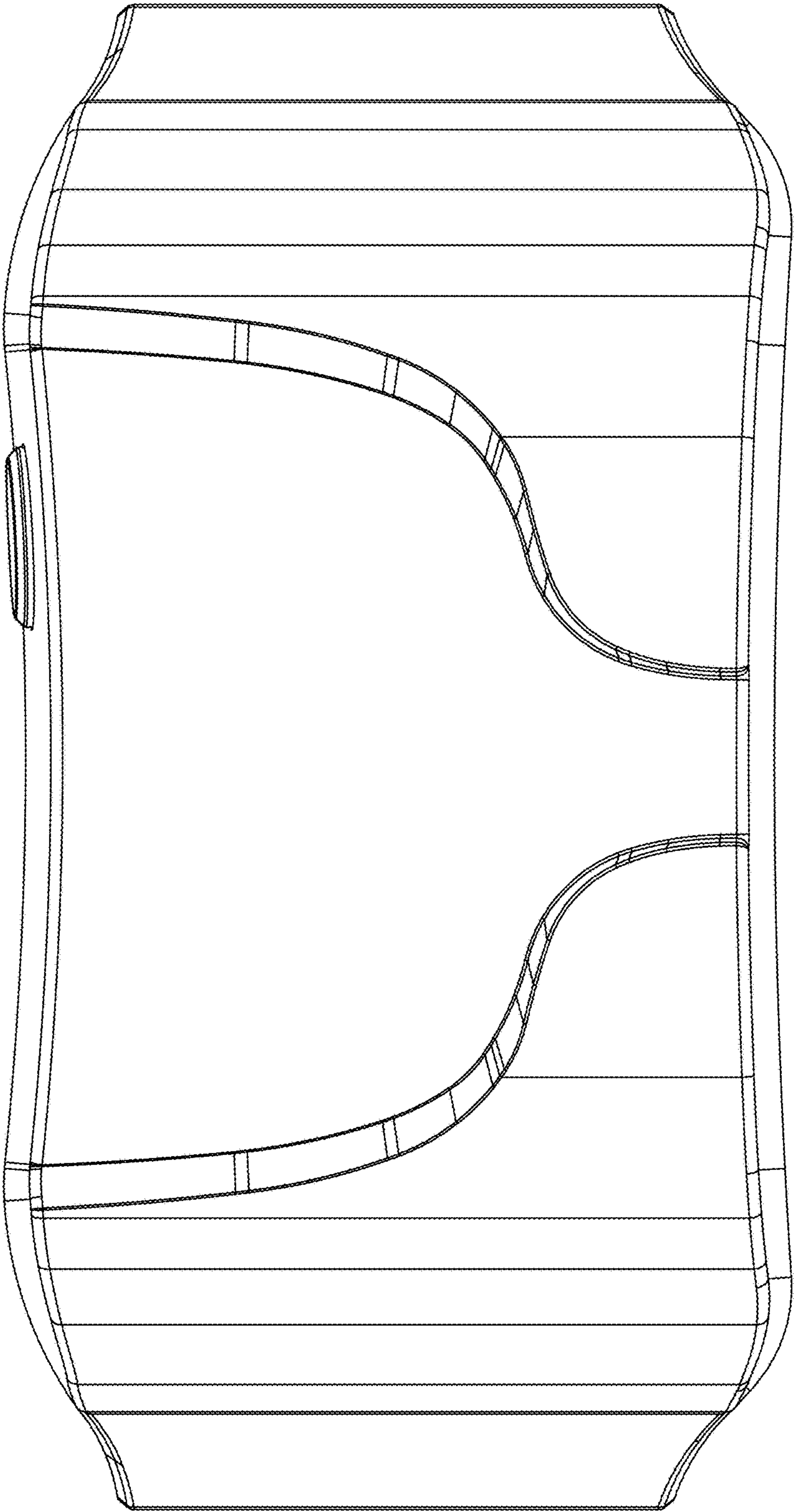


Fig. 2



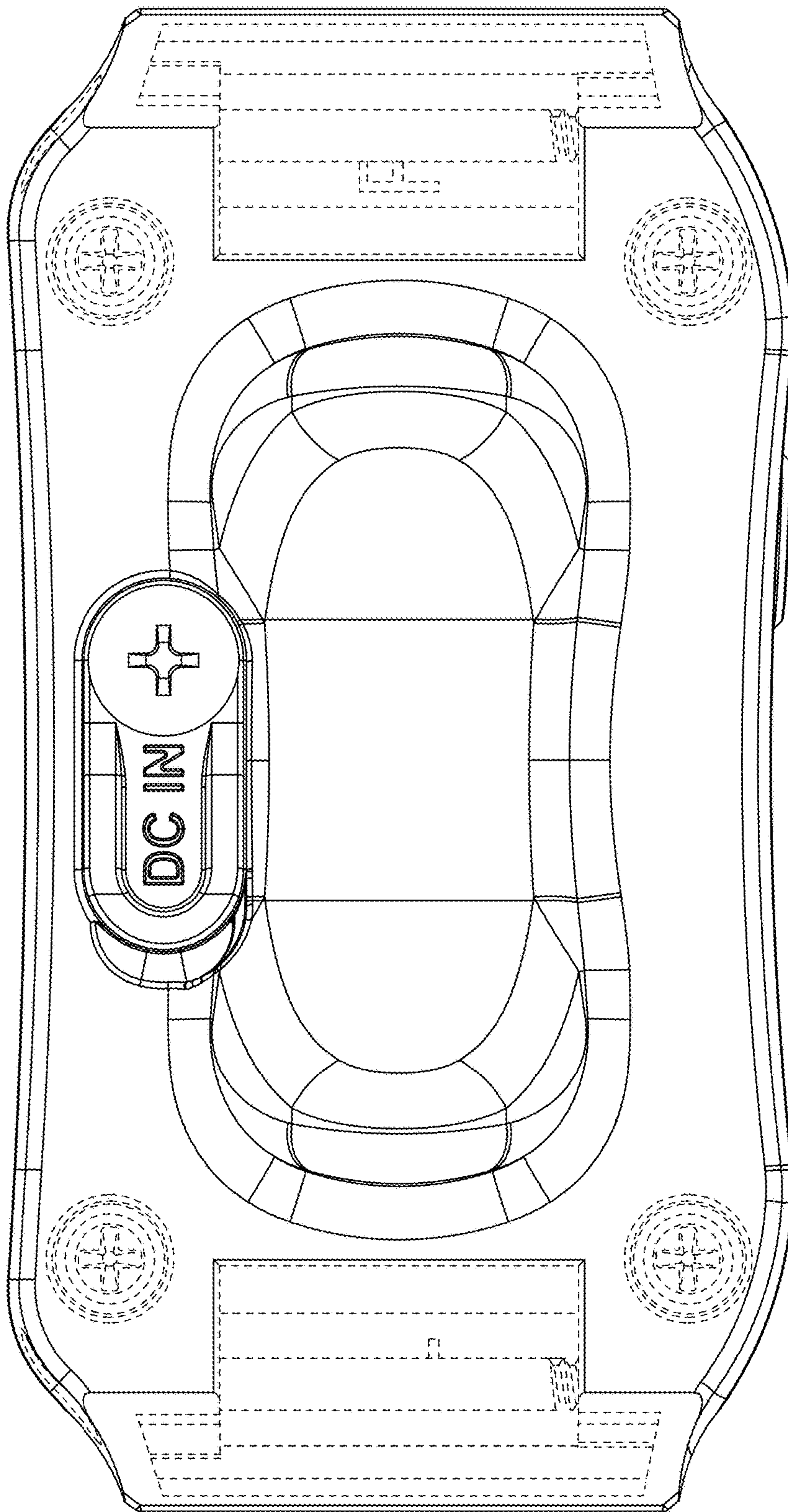
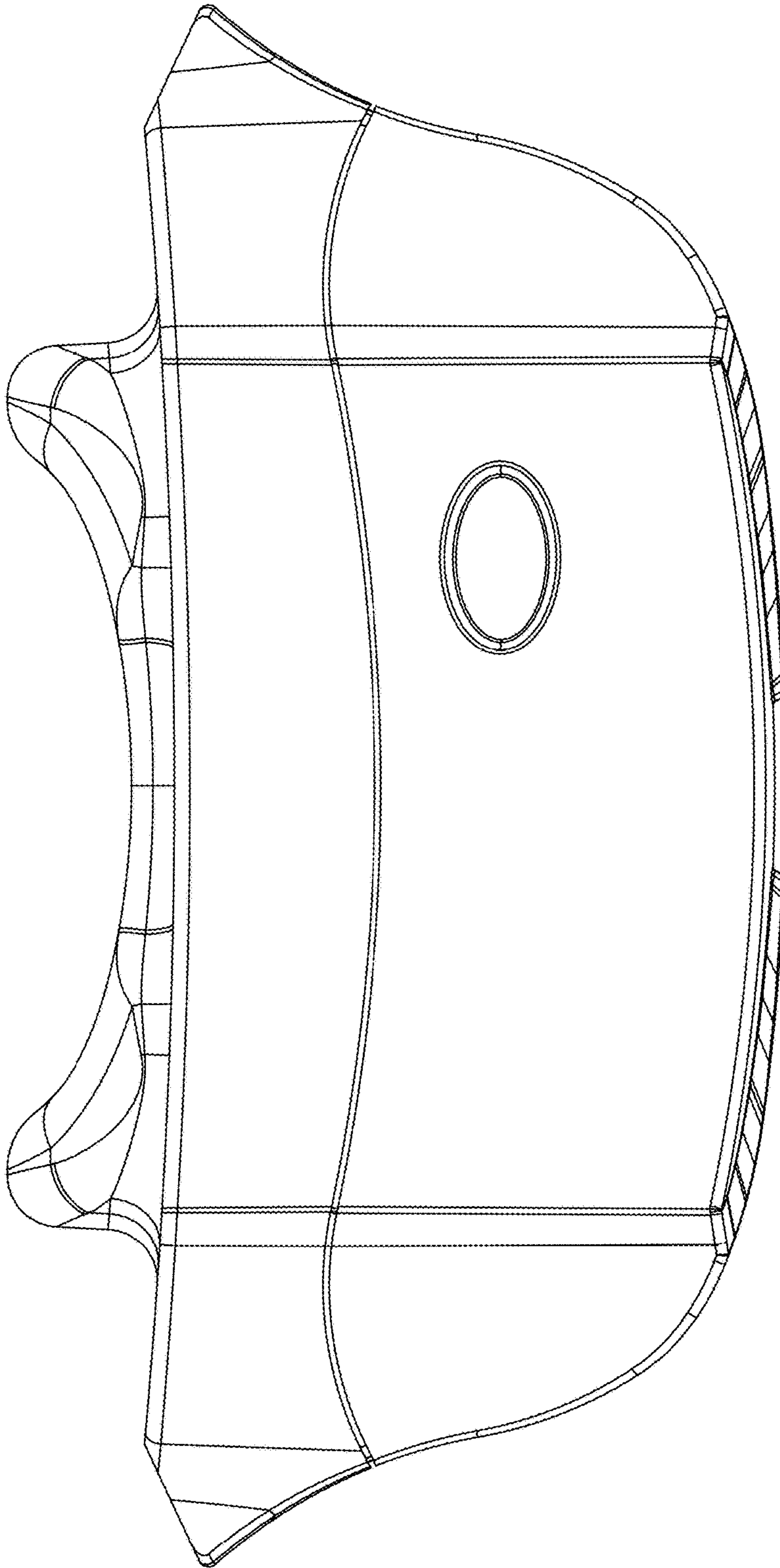


Fig. 3



**Fig. 4**

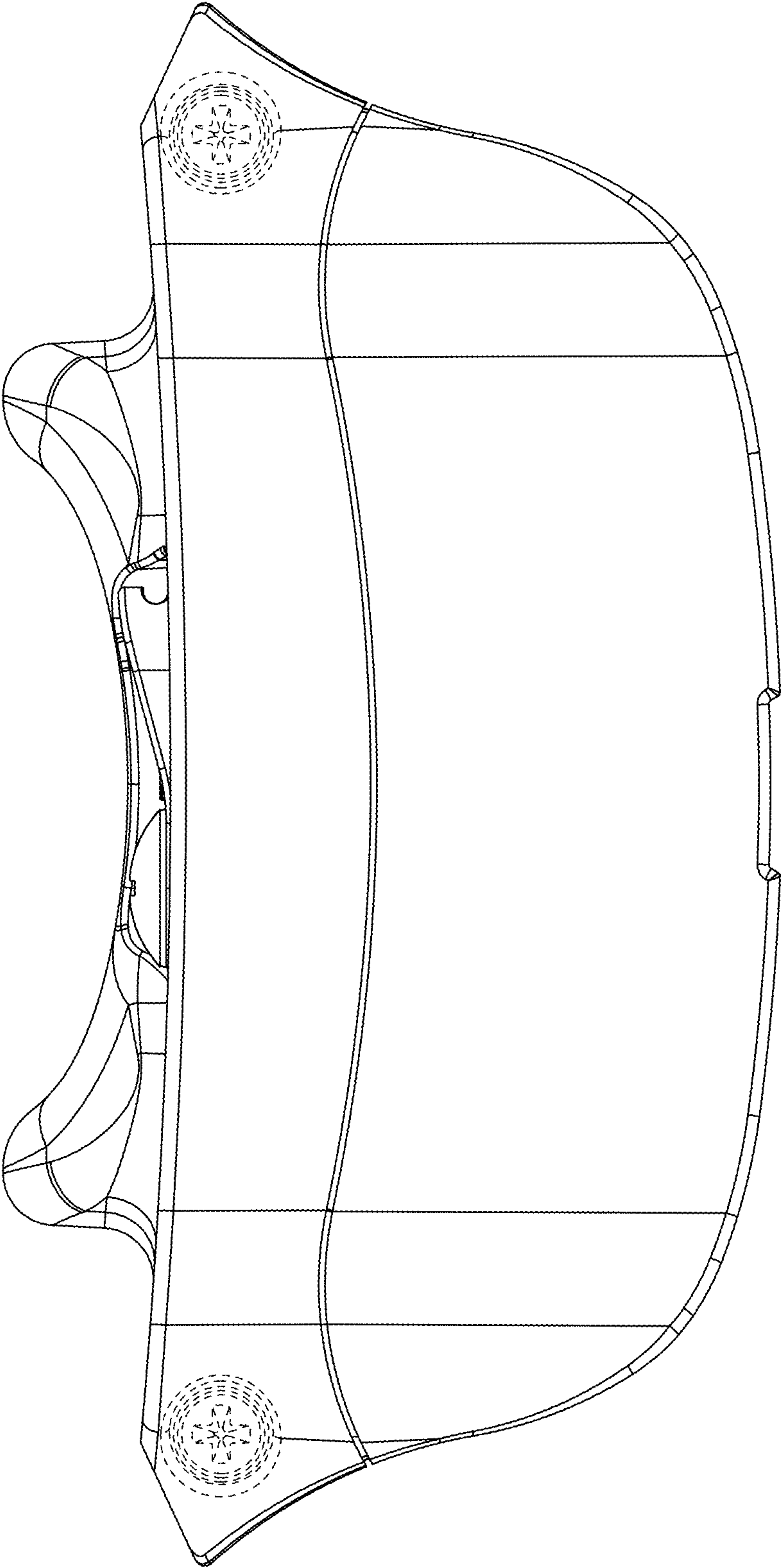


Fig. 5

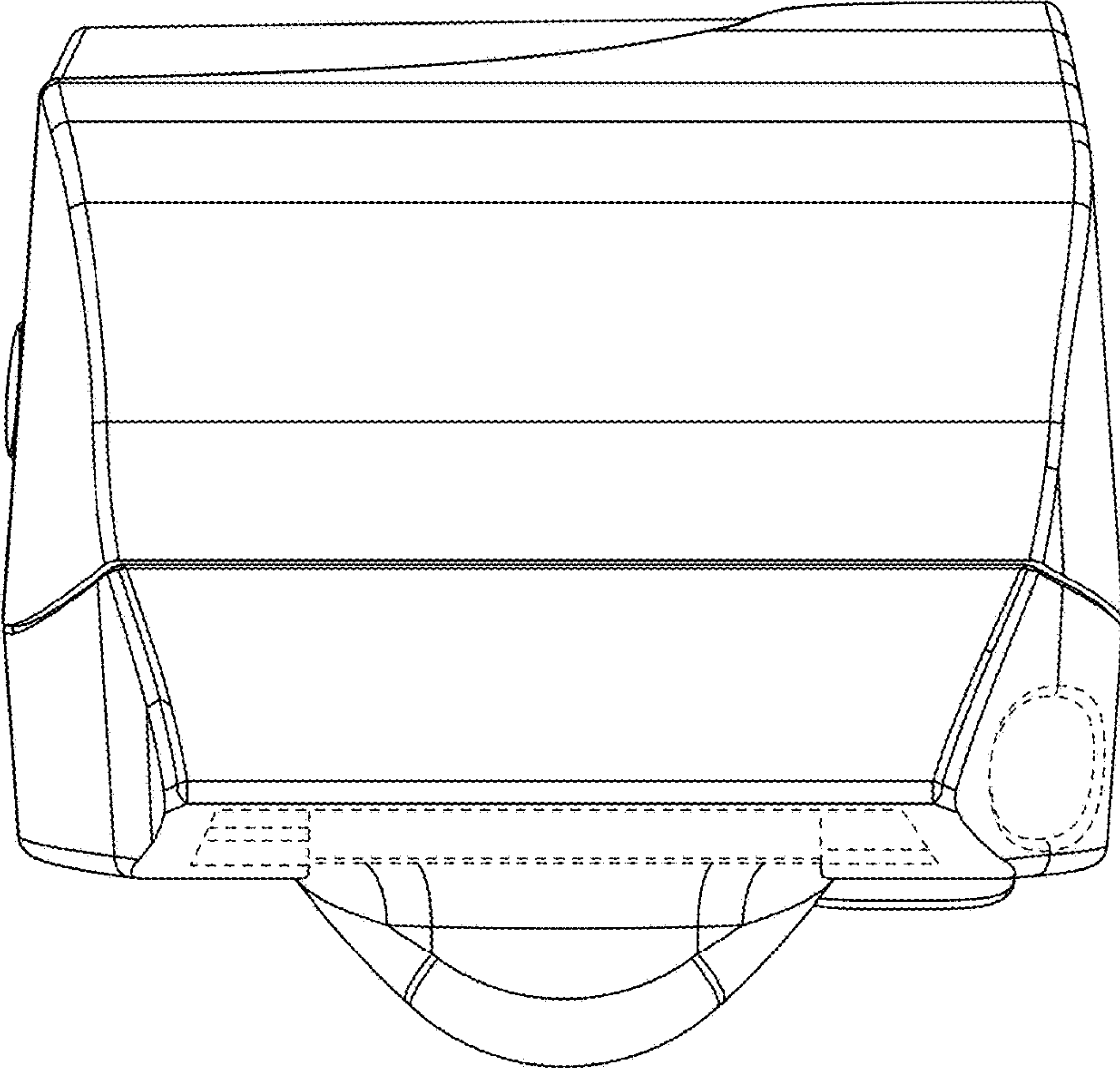
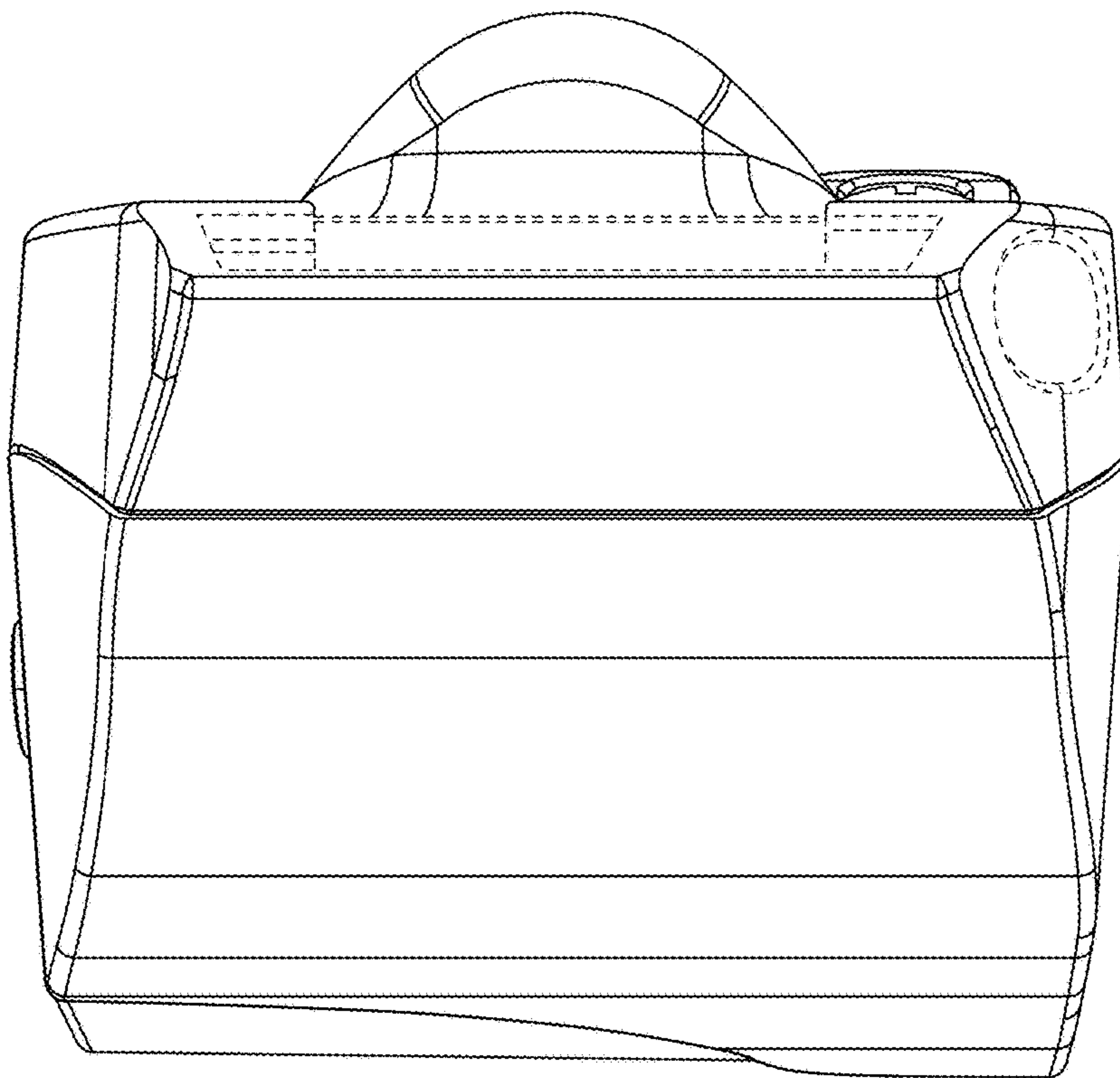


Fig. 6





**Fig. 7**