



US00D816917S

(12) **United States Design Patent** (10) **Patent No.:** **US D816,917 S**  
**Lee** (45) **Date of Patent:** **\*\* May 1, 2018**

(54) **COLLAR ATTACHMENT**  
(71) Applicant: **Mars, Incorporated**, McLean, VA (US)  
(72) Inventor: **Kyu Sang Lee**, San Jose, CA (US)  
(73) Assignee: **MARS, INCORPORATED**, McLean, VA (US)

D667,322 S \* 9/2012 Madrack ..... D10/65  
D668,562 S \* 10/2012 Madrack ..... D10/65  
D698,376 S \* 1/2014 Funato ..... D15/138  
D706,321 S \* 6/2014 Oetlinger ..... D15/138  
D725,850 S \* 3/2015 Eidelman ..... D24/167  
D780,238 S \* 2/2017 Kato ..... D15/138

(\*\*) Term: **15 Years**

(21) Appl. No.: **29/580,754**

(22) Filed: **Oct. 12, 2016**

(51) **LOC (11) Cl.** ..... **30-04**

(52) **U.S. Cl.**  
USPC ..... **D30/152**

(58) **Field of Classification Search**  
USPC ..... D15/138-143, 199; D10/65; D30/151,  
D30/152, 155, 199

CPC .. A01K 15/021; A01K 27/001; A01K 27/002;  
A01K 27/009; A01K 27/003; A01K  
29/00; A01K 29/005; A01K 15/023;  
A01K 15/04; A01K 27/004; A01K  
27/005; A01K 27/006; A01K 11/008;  
A01K 13/001; A01K 13/006; A01K  
13/007; A01K 15/02; A01K 15/025;  
A01K 1/0236; A01K 1/0245; A01K  
1/0272; A01K 1/029; A01K 1/033; A01K  
1/0356; A01K 23/005; A01K 27/008;  
A01K 5/0114; A01K 5/02; A01K 5/0275;  
A01K 5/0283; A01K 77/00

See application file for complete search history.

(56) **References Cited**

**U.S. PATENT DOCUMENTS**

4,809,700 A \* 3/1989 Castelli ..... A61B 5/0408  
600/384  
D349,864 S \* 8/1994 Dunlap ..... D10/32

**OTHER PUBLICATIONS**

“Amazon.com, Inc. Web page, JPO’s Prior Design Ref. No. HJ27044048”, 7 pp., first available on Oct. 5, 2015, downloaded Mar. 15, 2018.

\* cited by examiner

*Primary Examiner* — Ian Simmons

*Assistant Examiner* — Khawaja Anwar

(74) *Attorney, Agent, or Firm* — Greenberg Traurig, LLP

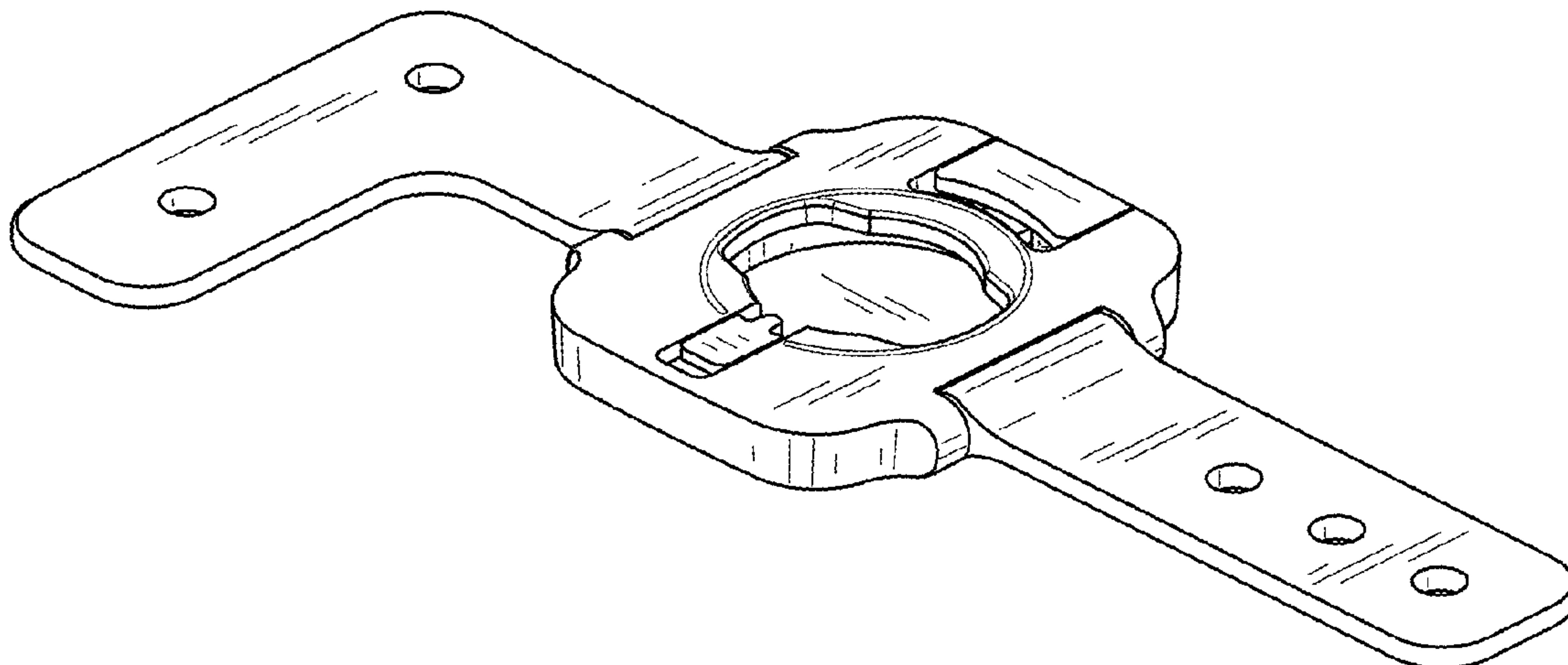
(57) **CLAIM**

The ornamental design of a collar attachment, as shown and described.

**DESCRIPTION**

FIG. 1 is a perspective view of a collar attachment;  
FIG. 2 is a top plan view of a collar attachment;  
FIG. 3 is a bottom plan view of a collar attachment;  
FIG. 4 is a right side elevation view of a collar attachment;  
FIG. 5 is a left side elevation view of a collar attachment;  
FIG. 6 is a front elevation view of a collar attachment; and,  
FIG. 7 is a rear elevation view of a collar attachment.  
The broken lines in the drawings represent unclaimed environment only and form no part of the claimed design.

**1 Claim, 3 Drawing Sheets**



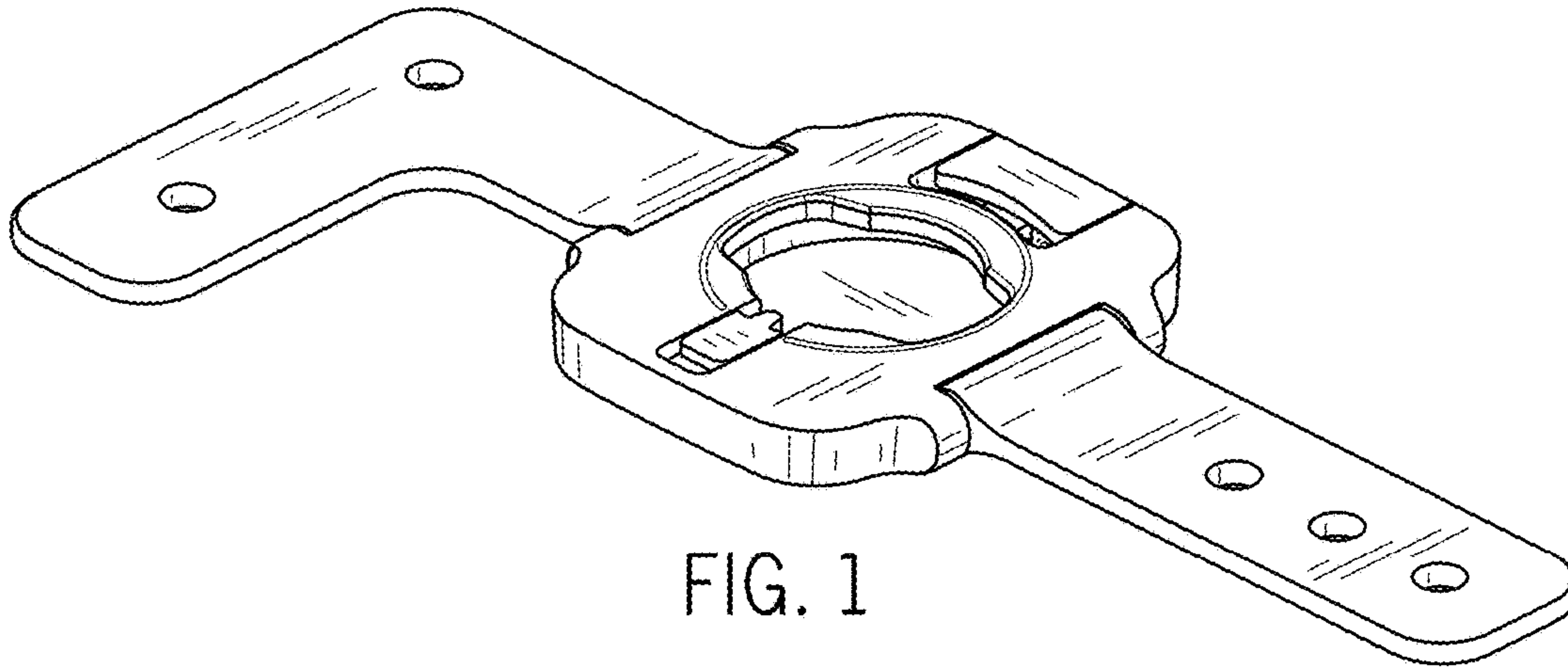


FIG. 1

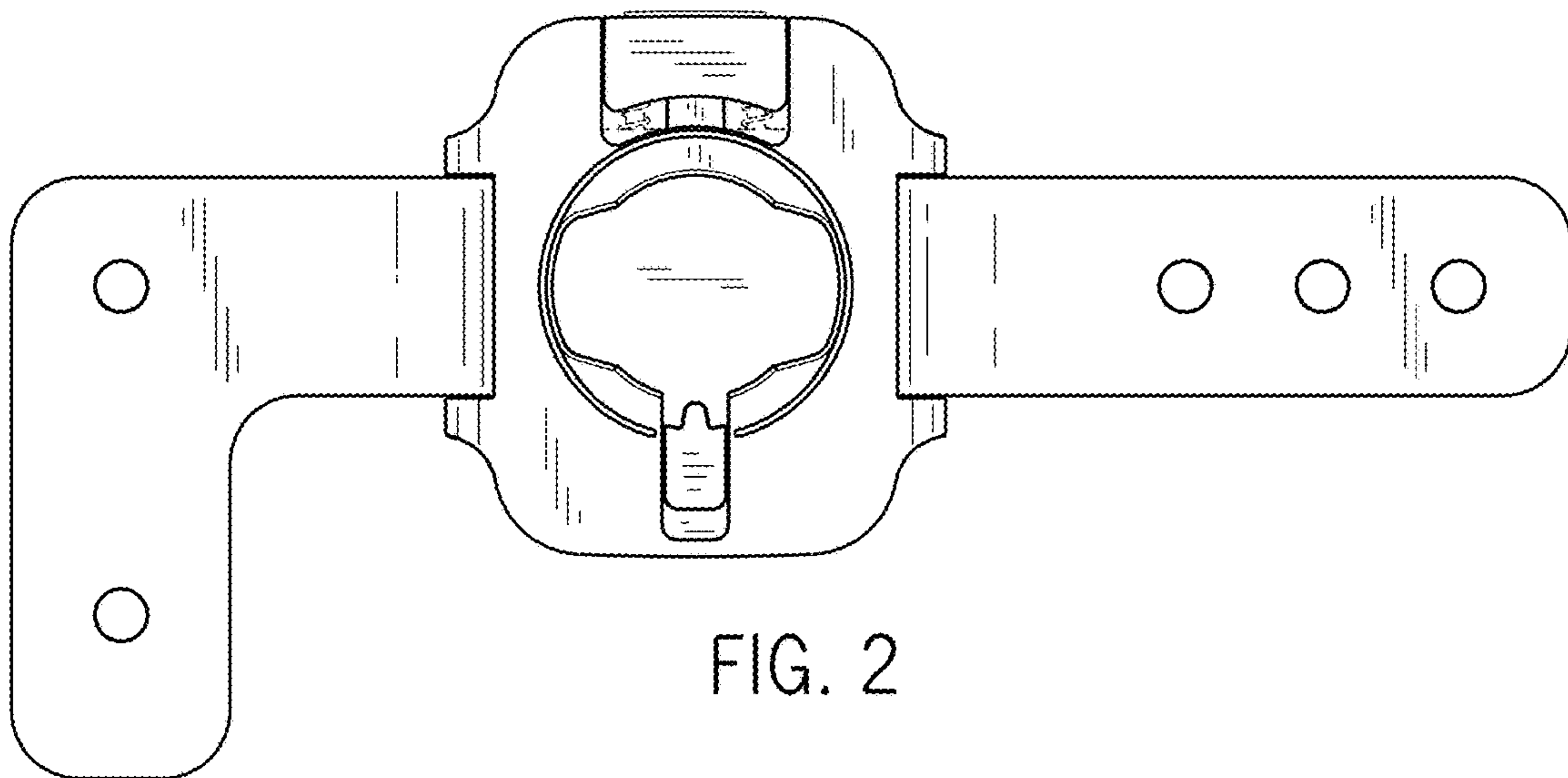


FIG. 2

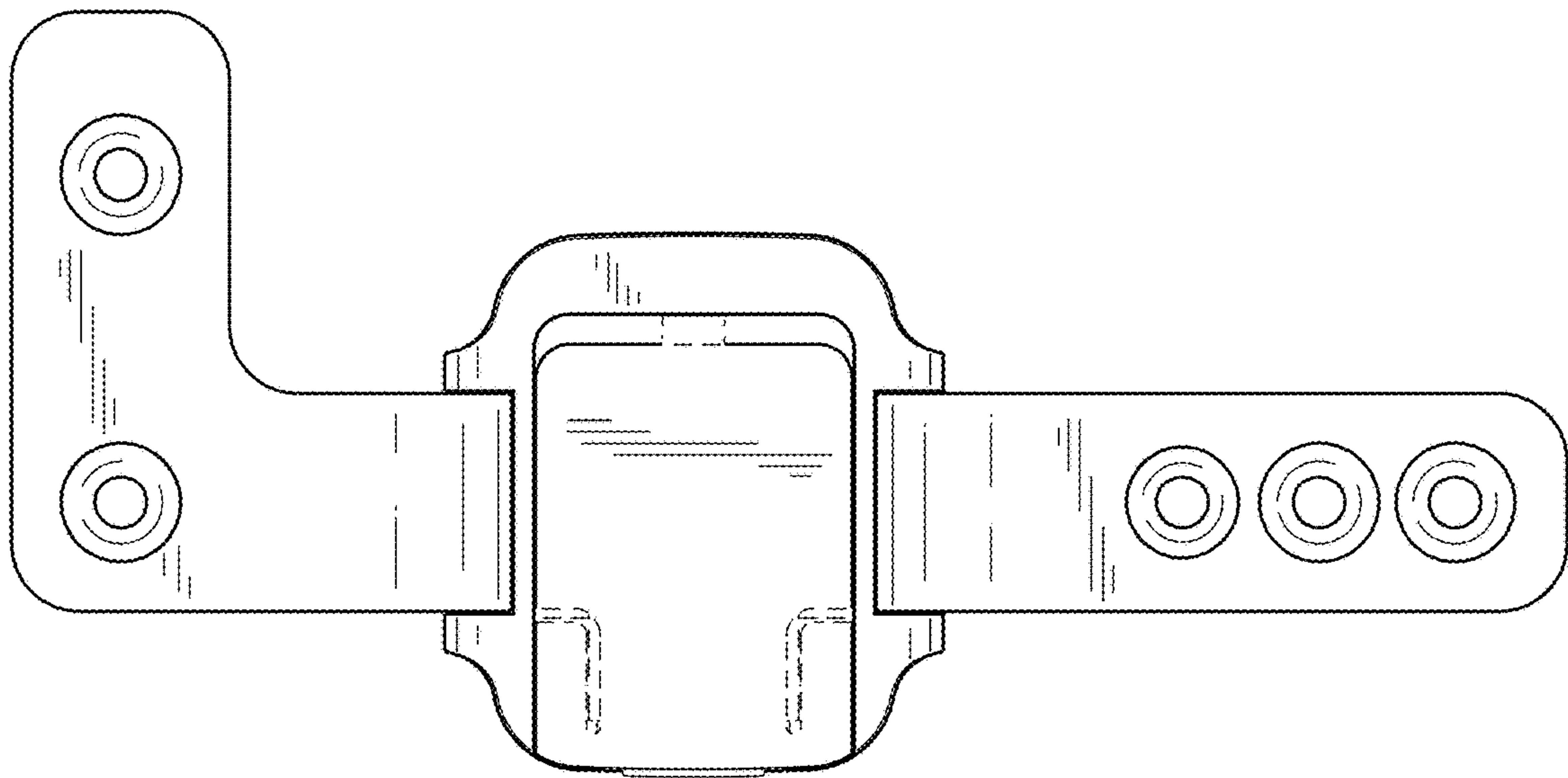


FIG. 3



FIG. 4

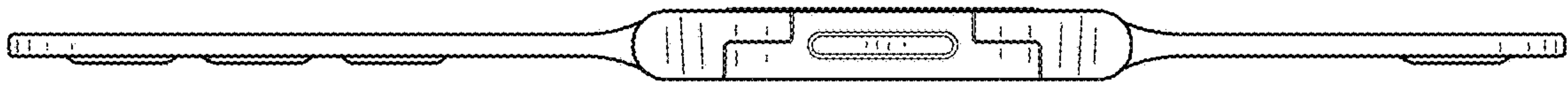


FIG. 5



FIG. 6



FIG. 7