



US00D816913S

(12) **United States Design Patent**
Hayes et al.

(10) **Patent No.:** **US D816,913 S**

(45) **Date of Patent:** **** May 1, 2018**

- (54) **MASCARA CASE**
- (71) Applicant: **ELC MANAGEMENT LLC**, Melville, NY (US)
- (72) Inventors: **Adam Lawrence Hayes**, Fishkill, NY (US); **Thomas Edmund Hall**, New York, NY (US)
- (73) Assignee: **ELC Management LLC**, Melville, NY (US)

- D191,650 S * 10/1961 Kruck D28/85
- D205,636 S * 8/1966 Linn D9/523
- D210,115 S * 2/1968 Armour D9/529
- 4,056,441 A * 11/1977 Marmonier G21C 3/344
165/162
- D253,032 S * 10/1979 White D28/76
- D382,369 S * 8/1997 Yang D28/85
- D450,889 S * 11/2001 Chang
- D468,059 S * 12/2002 Fuller D28/77
- D472,152 S * 3/2003 Joubert D9/529
- D493,364 S * 7/2004 Papiernik D9/687

(Continued)

(**) Term: **15 Years**

(21) Appl. No.: **29/590,811**

(22) Filed: **Jan. 13, 2017**

(51) **LOC (11) Cl.** **28-03**

(52) **U.S. Cl.**
USPC **D28/76**

(58) **Field of Classification Search**
USPC D28/7, 76-77, 85; 132/216, 218, 318;
D3/205, 901; 206/581, 823, 277;
D9/723-724, 727, 553, 561, 566, 769
CPC A45D 40/00; A45D 2040/0012; A45D
2040/0025; A45D 2040/0037; A45D
2040/0043; A45D 2040/005; A45D
2040/0056; A45D 40/04; A45D 34/00;
A45D 34/042; A45D 34/043; A45D
34/045; A45D 34/046; A45D 34/047;
A45D 34/048; A45D 2034/002; A45D
2034/005; A45D 2034/007; A45D 34/02;
A45D 34/04; A45D 34/041
See application file for complete search history.

(56) **References Cited**

U.S. PATENT DOCUMENTS

- 2,159,872 A * 5/1939 Younghusband A45D 40/04
401/78
- D190,785 S * 6/1961 Kruck D27/160

FOREIGN PATENT DOCUMENTS

- CN 3505878 2/2006
- CN 3505882 2/2006

(Continued)

Primary Examiner — Shannon W Morgan

Assistant Examiner — Altaira J Swangin

(74) *Attorney, Agent, or Firm* — Cynthia R. Miller

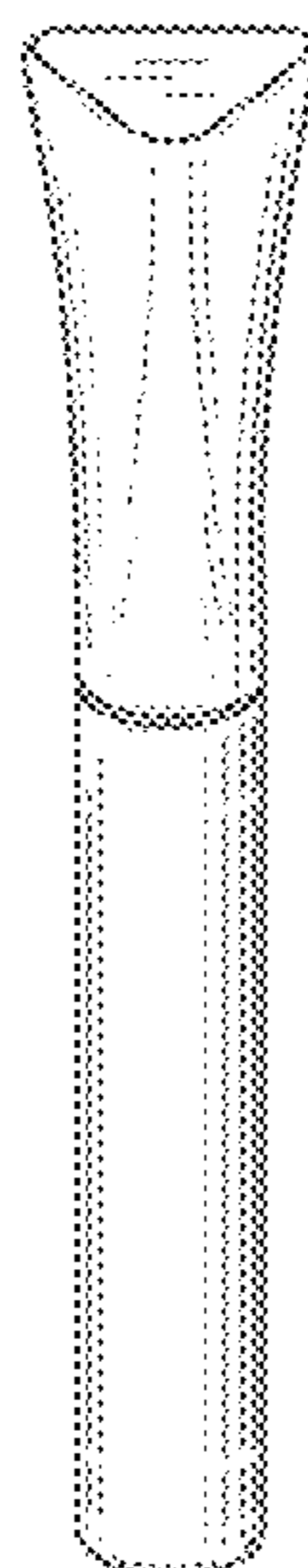
(57) **CLAIM**

The ornamental design for a mascara case, as shown.

DESCRIPTION

FIG. 1 is a top, front perspective view of our new design for a mascara case;
FIG. 2 is a front elevation view of the mascara case shown in FIG. 1;
FIG. 3 is a rear elevation view of the mascara case shown in FIG. 1;
FIG. 4 is a right side elevation view of the mascara case, shown in FIG. 1;
FIG. 5 is a left side elevation view of the mascara case, shown in FIG. 1;
FIG. 6 is a top plan view of the mascara case, shown in FIG. 1; and,
FIG. 7 is a bottom plan view of the mascara case, shown in FIG. 1.

1 Claim, 4 Drawing Sheets



(56)

References Cited

U.S. PATENT DOCUMENTS

D497,038	S	*	10/2004	Tsai	D28/85
D520,374	S		5/2006	Herrmann et al.		
D527,269	S	*	8/2006	Priestman	D28/76
D539,981	S		4/2007	Kadlubowski et al.		
D611,352	S		3/2010	Bourne		
D611,825	S	*	3/2010	Usui	D9/529
D619,467	S		7/2010	Bogosyan		
7,938,268	B1	*	5/2011	Kuo	A45D 40/00 132/294
D655,615	S		3/2012	Servaire		
D669,128	S	*	10/2012	Zhang	D19/169
D683,225	S		5/2013	Servaire		
D702,554	S	*	4/2014	Cole	D28/76
D728,160	S	*	4/2015	Szymanski	D28/49
D739,606	S		9/2015	DeMarco Staab		
D759,813	S	*	6/2016	Newman	D24/130
D759,814	S	*	6/2016	Newman	D24/130
D764,309	S	*	8/2016	Yakos	D9/682
D788,471	S	*	6/2017	Dunaway	D4/135
2007/0267080	A1	*	11/2007	Babel	A45D 34/045 137/800
2015/0305475	A1	*	10/2015	Girod	A45D 40/24 401/31

FOREIGN PATENT DOCUMENTS

CN	301866147	3/2012
CN	302686114	12/2013
EM	000612932-0005	11/2006
EM	000676606-0001	3/2007
EM	000691175-0001	4/2007
EM	003338516-0002	8/2016
KR	300876909.0000	* 10/2016
KR	300888730.0000	* 1/2017

* cited by examiner

FIG. 1

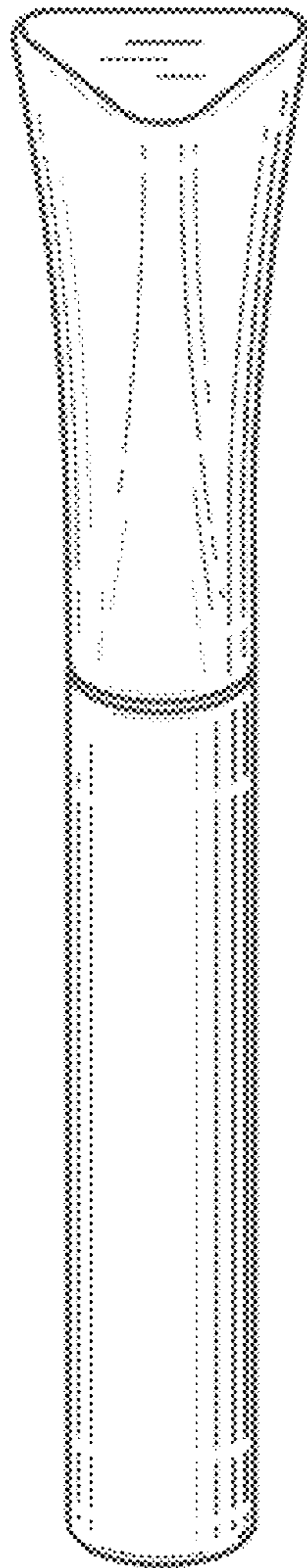


FIG. 2

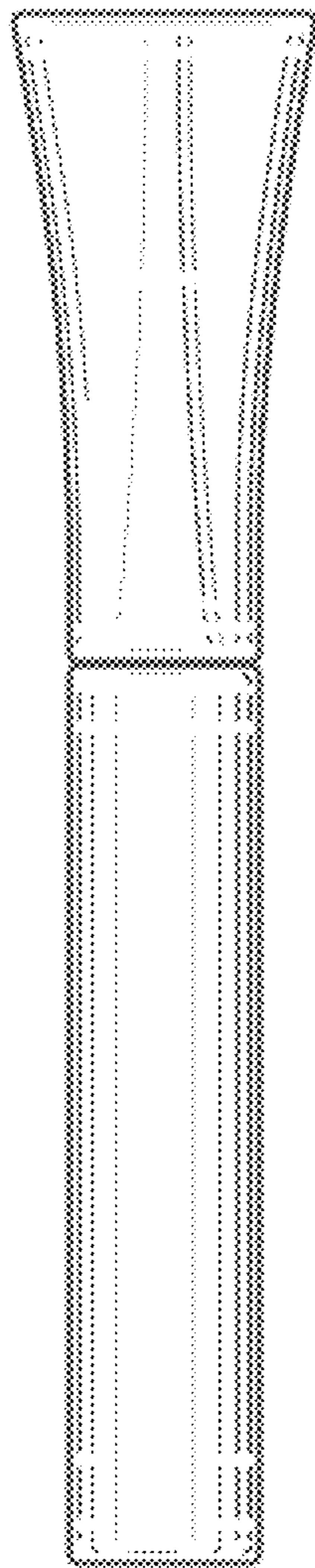


FIG. 3

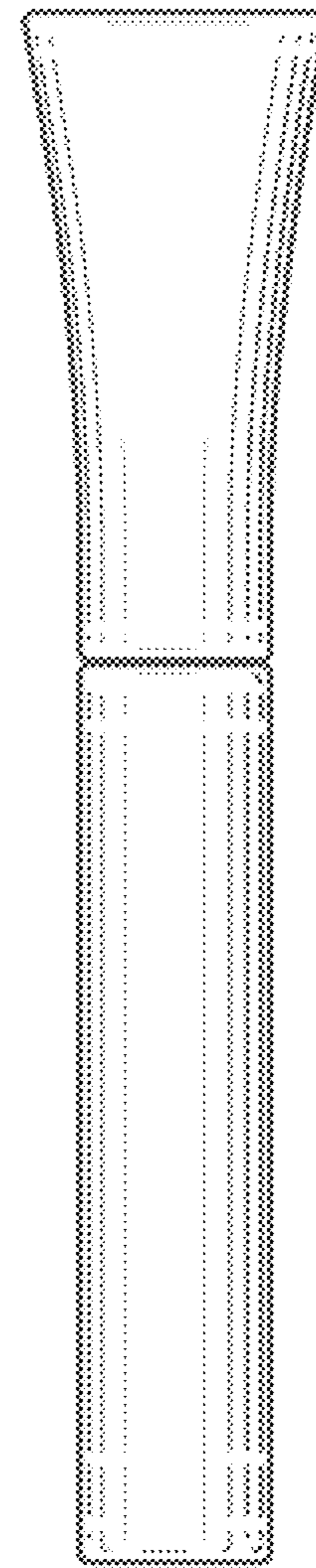


FIG. 4

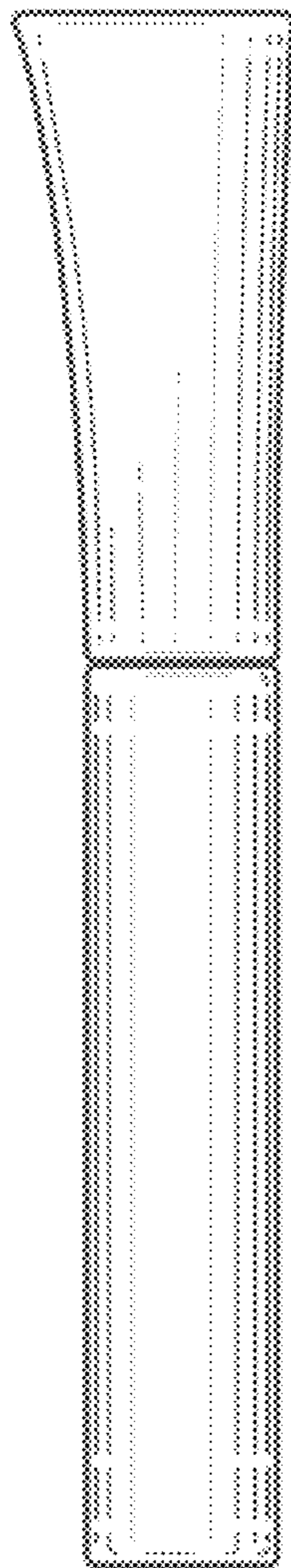


FIG. 5

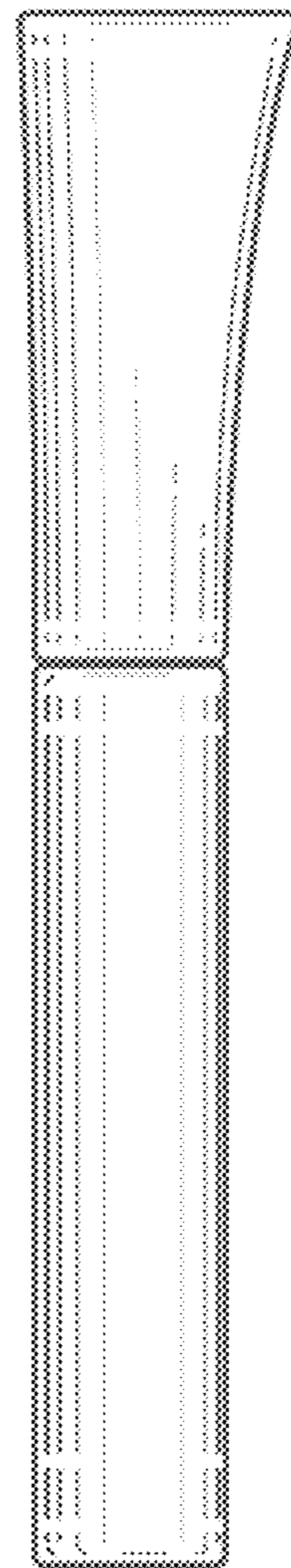


FIG. 6

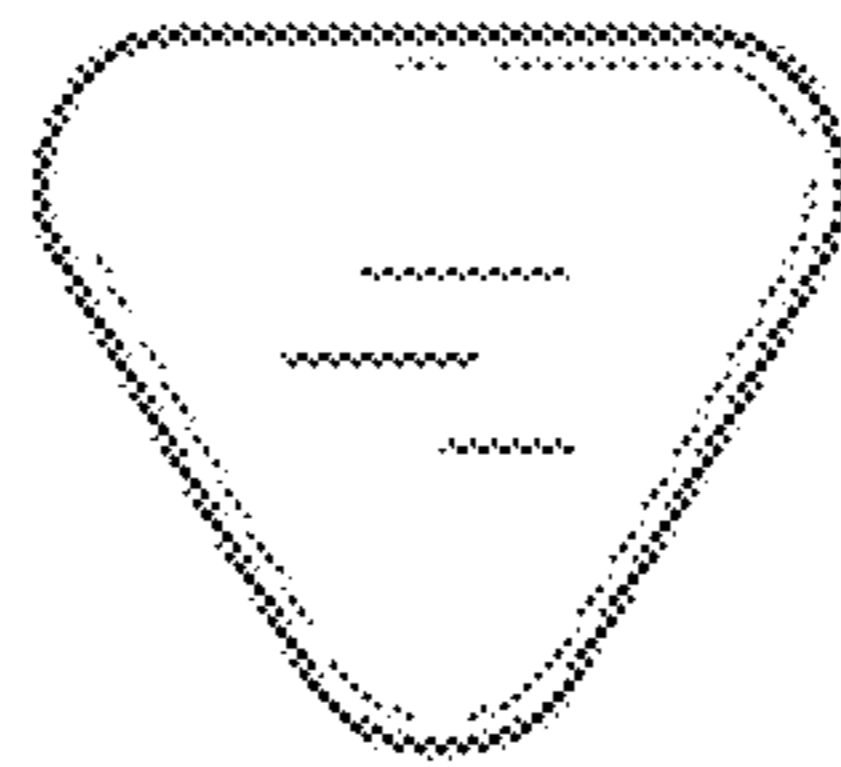


FIG. 7

