



US00D816909S

(12) **United States Design Patent** (10) **Patent No.:** **US D816,909 S**
Zucker (45) **Date of Patent:** **** May 1, 2018**

(54) **RAZOR CARTRIDGE**
(71) Applicant: **Personal Care Marketing and Research, Inc.**, Beverly Hills, CA (US)
(72) Inventor: **Shlomo Zucker**, Mihmoret (IL)
(73) Assignee: **Personal Care Marketing and Research International**, Beit She'an (IL)
(**) Term: **15 Years**

D415,315 S 10/1999 Swanson et al.
D422,751 S 4/2000 Gray
D484,275 S 12/2003 Prochaska
D499,843 S 12/2004 Nakasuka
D514,253 S 1/2006 Gray
D516,243 S 2/2006 Nakasuka
D524,986 S 7/2006 Prudden, Jr.
D526,089 S 8/2006 Fischer et al.
D533,684 S 12/2006 Gray et al.
D535,784 S 1/2007 Wonderley et al.
D547,494 S 7/2007 Watson et al.
D556,378 S 11/2007 Watson et al.
D560,034 S * 1/2008 Fischer D28/48

(Continued)

(21) Appl. No.: **29/577,358**
(22) Filed: **Sep. 12, 2016**

Primary Examiner — Jennifer Rivard
(74) *Attorney, Agent, or Firm* — Edward B. Weller

Related U.S. Application Data

(63) Continuation of application No. 29/558,510, filed on Mar. 18, 2016.
(51) **LOC (11) Cl.** **28-03**
(52) **U.S. Cl.**
USPC **D28/47**
(58) **Field of Classification Search**
USPC D28/44, 45–48
CPC B26B 21/54–21/60; B26B 21/00–21/06;
B26B 21/08–21/125; B26B 21/14–21/20;
B26B 21/22–21/24; B26B 21/28; B26B
21/30–21/32; B26B 21/34–21/38; B26B
21/40–21/4031; B26B 21/4043; B26B
21/4062; B26B 21/4068–21/4075; B26B
21/44–21/443; B26B 21/52–21/528
See application file for complete search history.

(57) **CLAIM**

I claim the ornamental design for a razor cartridge, as shown and described.

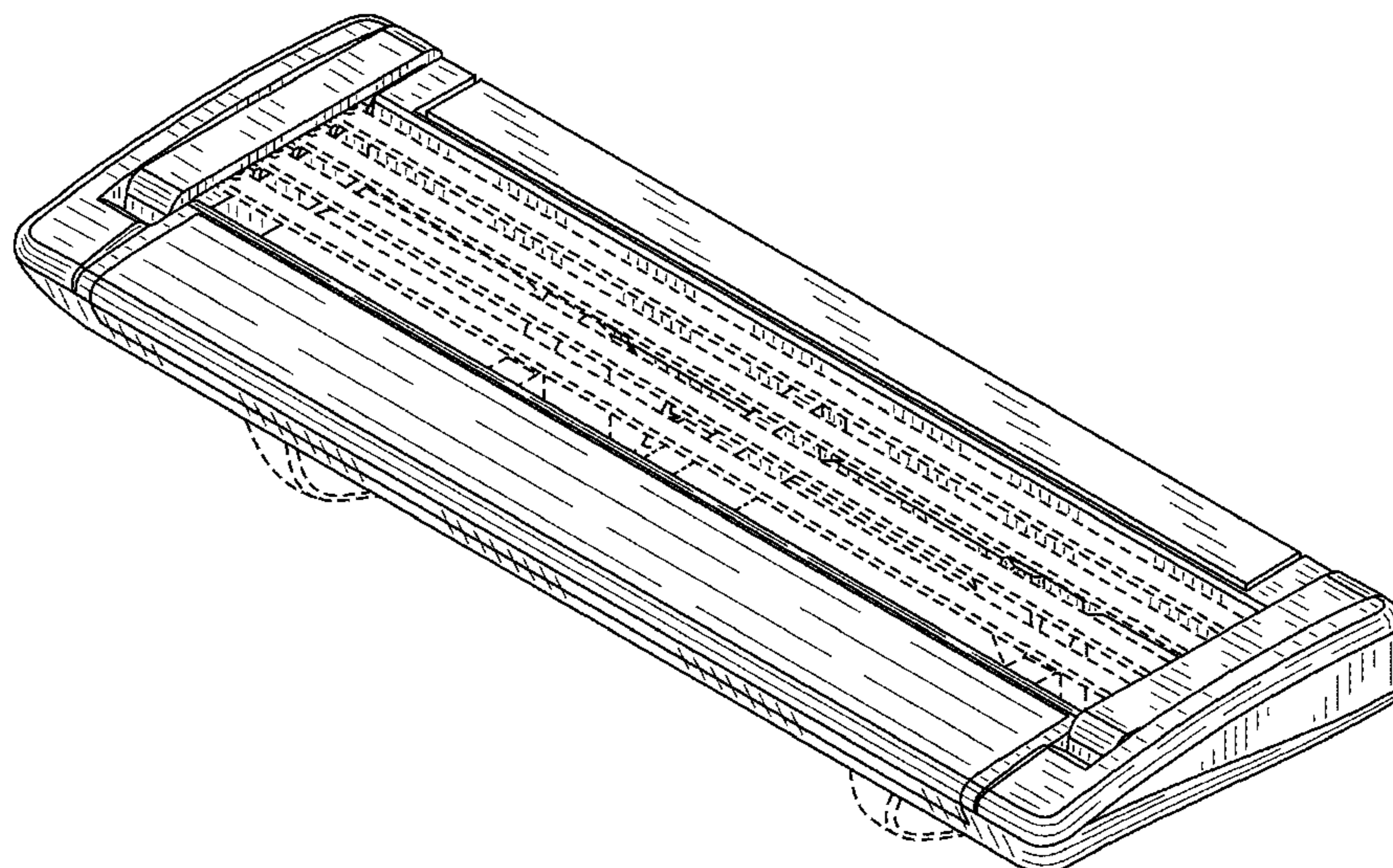
DESCRIPTION

FIG. 1 is a front perspective of a razor cartridge, according to an embodiment of my new design;
FIG. 2 is a bottom perspective of a razor cartridge, according to an embodiment of my new design;
FIG. 3 is a front elevational view of a razor cartridge, according to an embodiment of my new design;
FIG. 4 is a rear elevational view of a razor cartridge, according to an embodiment of my new design;
FIG. 5 is a left elevational view of a razor cartridge, according to an embodiment of my new design;
FIG. 6 is a right elevational view of a razor cartridge, according to an embodiment of my new design;
FIG. 7 is a top plan view of a razor cartridge, according to an embodiment of my new design; and,
FIG. 8 is a bottom plan view of a razor cartridge, according to an embodiment of my new design.
The broken lines illustrate portions of the razor cartridge and form no part of the claimed design.

(56) **References Cited**
U.S. PATENT DOCUMENTS

4,309,821 A * 1/1982 Terry B26B 21/06
206/372
5,313,705 A * 5/1994 Rivers B26B 21/4012
30/50

1 Claim, 8 Drawing Sheets



(56)

References Cited

U.S. PATENT DOCUMENTS

D563,043 S 2/2008 Ramm
 D563,044 S 2/2008 Ramm
 D575,454 S 8/2008 Keene et al.
 D588,309 S 3/2009 Wonderley et al.
 D588,744 S * 3/2009 Fischer D28/47
 D588,745 S 3/2009 Fischer et al.
 D601,753 S 10/2009 Cataudella et al.
 D604,904 S 11/2009 Watson
 D617,946 S 6/2010 Lukan et al.
 D617,947 S 6/2010 Lukan et al.
 D617,948 S 6/2010 Lukan et al.
 D617,949 S 6/2010 Lukan et al.
 7,765,700 B2 * 8/2010 Aviza B26B 21/4068
 30/50
 D625,049 S 10/2010 Bridges et al.
 D625,883 S 10/2010 Wonderley
 D629,564 S 12/2010 Jung
 D630,378 S 1/2011 Jung
 D630,797 S 1/2011 Witkus
 D631,198 S 1/2011 Adams et al.
 D633,253 S 2/2011 Wonderley et al.
 D633,254 S 2/2011 Witkus
 D634,474 S 3/2011 Wilby
 D635,717 S 4/2011 Furtek
 D636,532 S 4/2011 Jessemey et al.
 D639,507 S 6/2011 Furtek
 D640,415 S 6/2011 Wonderley et al.
 D643,976 S 8/2011 Wonderley et al.
 D643,977 S 8/2011 Wonderley et al.

D648,075 S 11/2011 Wonderley et al.
 D648,076 S 11/2011 Jessemey et al.
 D653,395 S 1/2012 Adams et al.
 D661,426 S 6/2012 Wain et al.
 D662,661 S 6/2012 Corbeil et al.
 D699,892 S 2/2014 Wonderley
 D701,646 S * 3/2014 Jobdevairakkam D28/47
 D707,885 S 6/2014 Cataudella et al.
 D730,578 S 5/2015 Long et al.
 D737,511 S 8/2015 Lettenberger et al.
 D737,513 S 8/2015 Lettenberger et al.
 D741,008 S 10/2015 Bruno et al.
 D741,009 S 10/2015 Bruno et al.
 D741,546 S 10/2015 Witkus et al.
 D748,856 S 2/2016 Mahony et al.
 9,248,579 B2 * 2/2016 Depuydt B26B 21/00
 2007/0227009 A1 * 10/2007 Zhuk B26B 21/60
 30/50
 2007/0266565 A1 * 11/2007 Aviza B26B 21/4068
 30/50
 2008/0034593 A1 * 2/2008 Coffin B26B 21/222
 30/50
 2008/0250647 A1 * 10/2008 Fischer B26B 21/222
 30/50
 2009/0113716 A1 * 5/2009 Wain B26B 21/4068
 30/50
 2014/0283387 A1 * 9/2014 Bozikis B26B 21/4031
 30/51
 2017/0021513 A1 * 1/2017 Liberatore B26B 21/225
 2017/0028577 A1 * 2/2017 Ntavos B26B 21/4012
 2017/0151684 A1 * 6/2017 Bozikis B26B 21/227

* cited by examiner

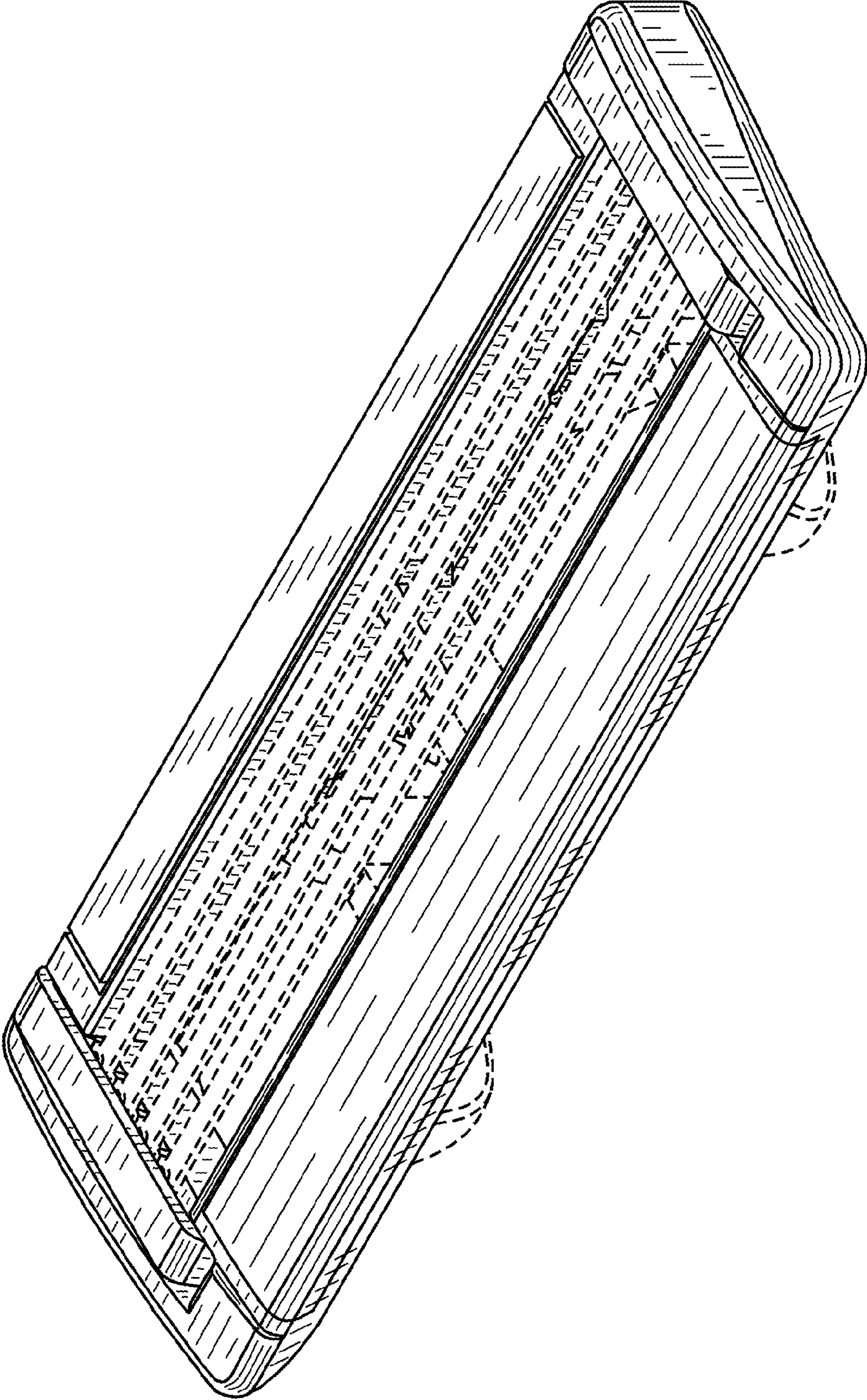


FIG. 1

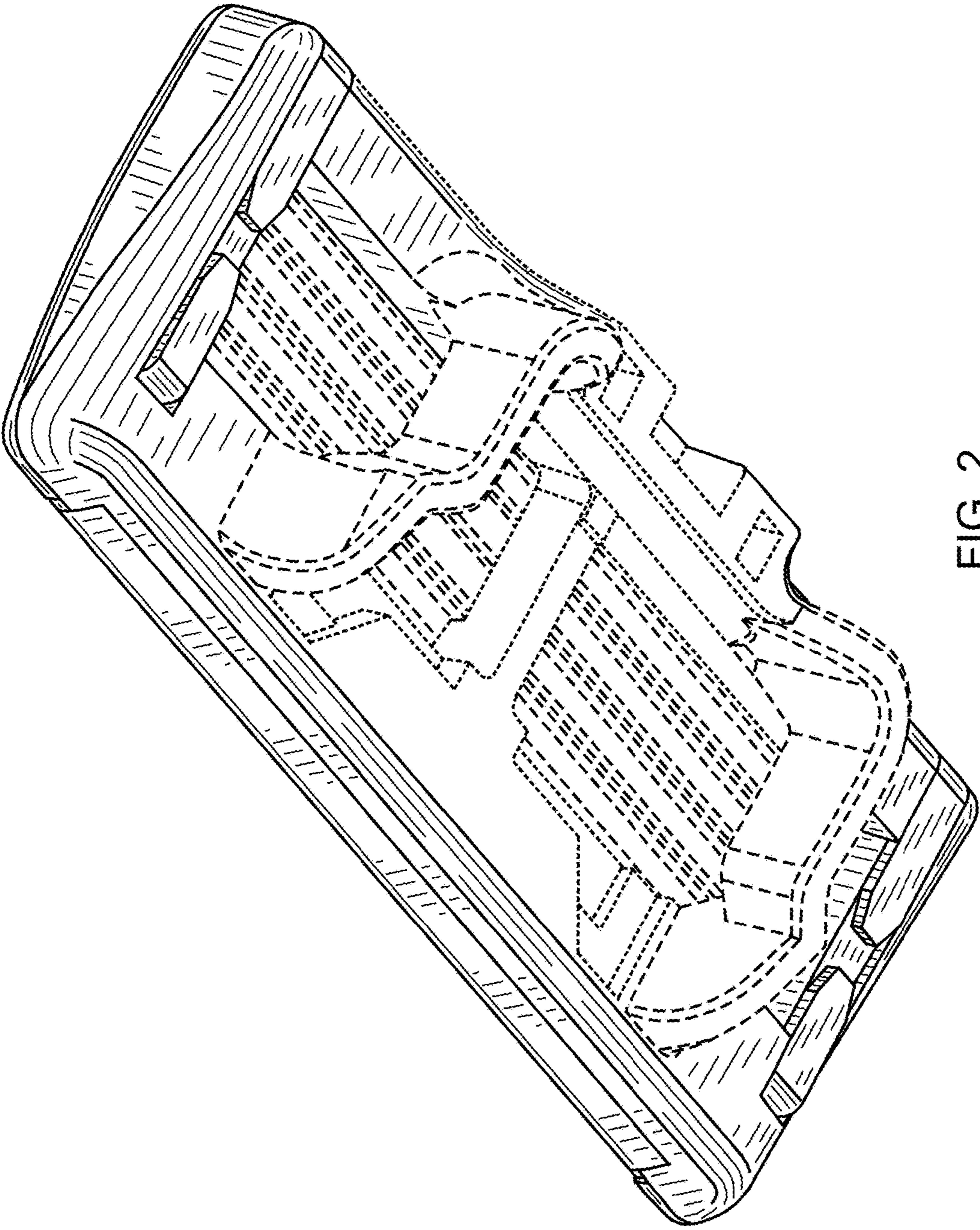


FIG. 2

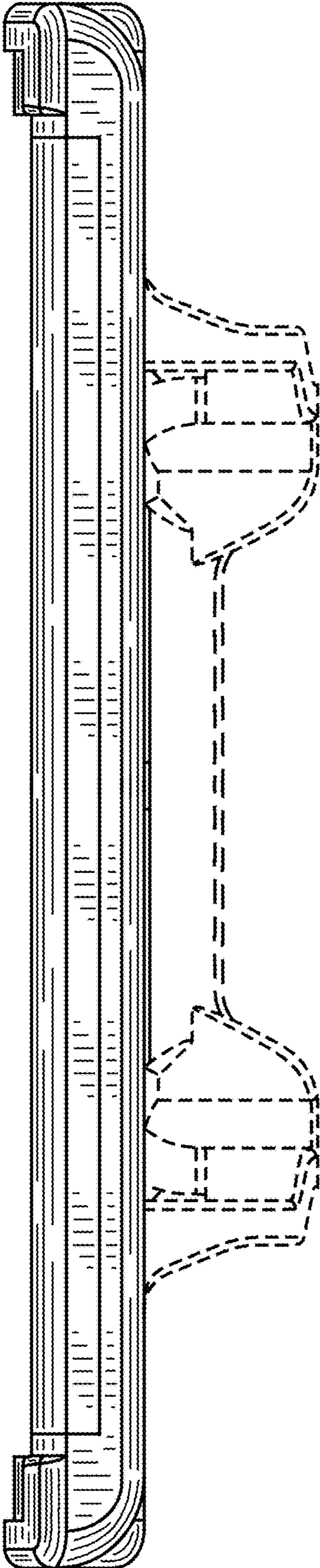


FIG. 3

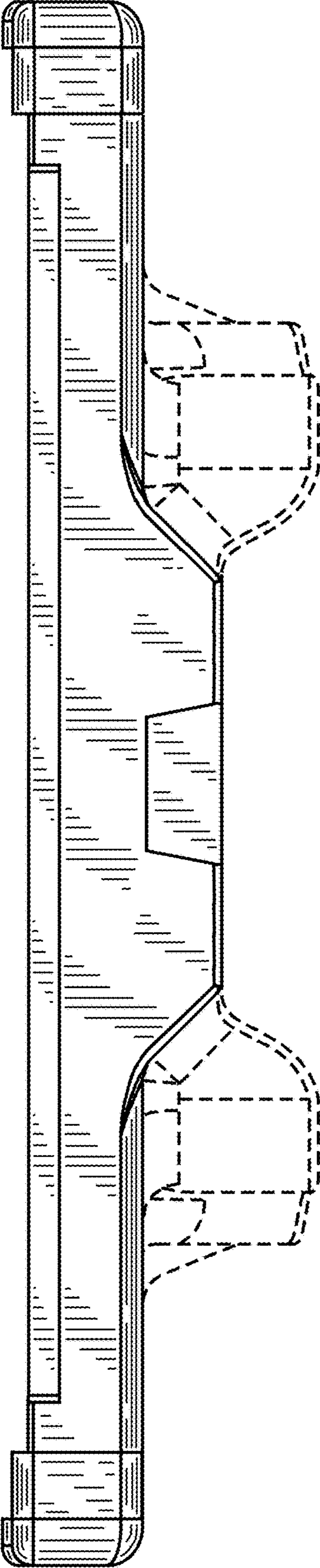


FIG. 4

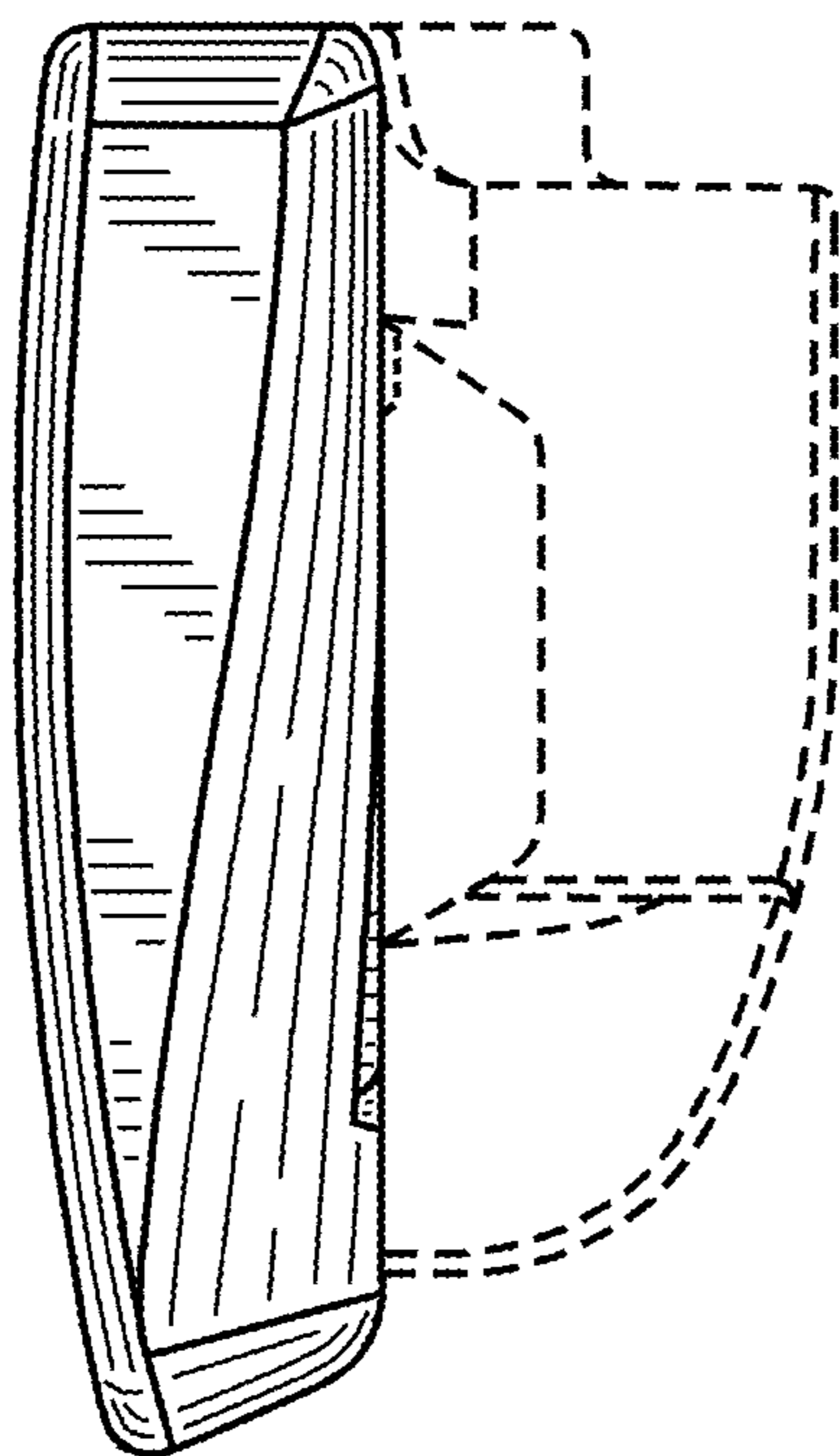


FIG. 5

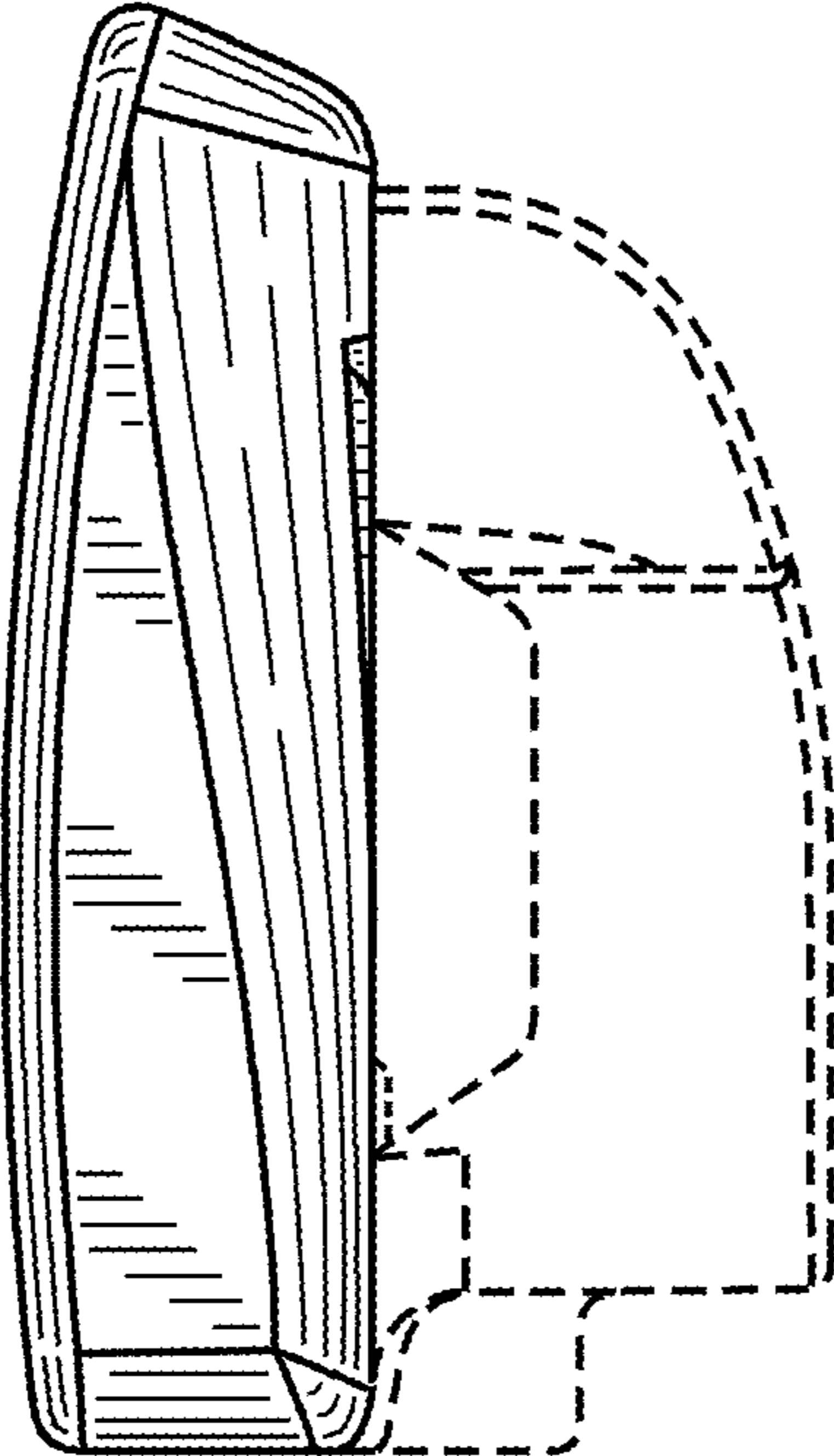


FIG. 6

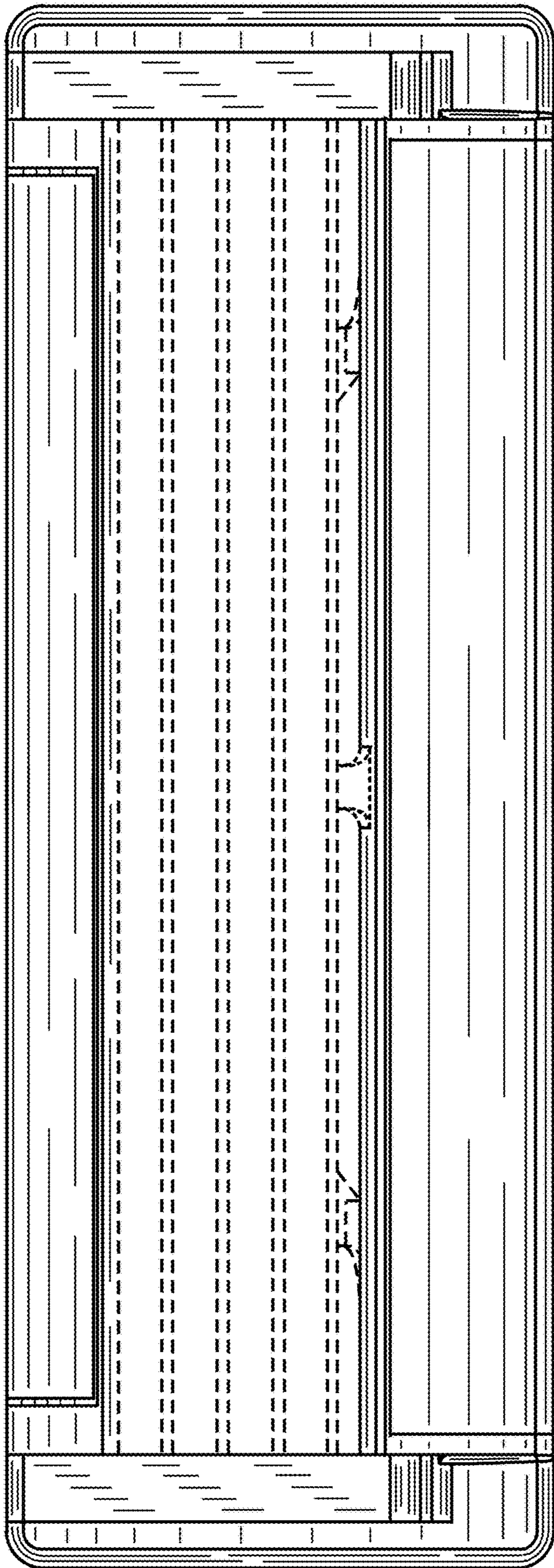


FIG. 7

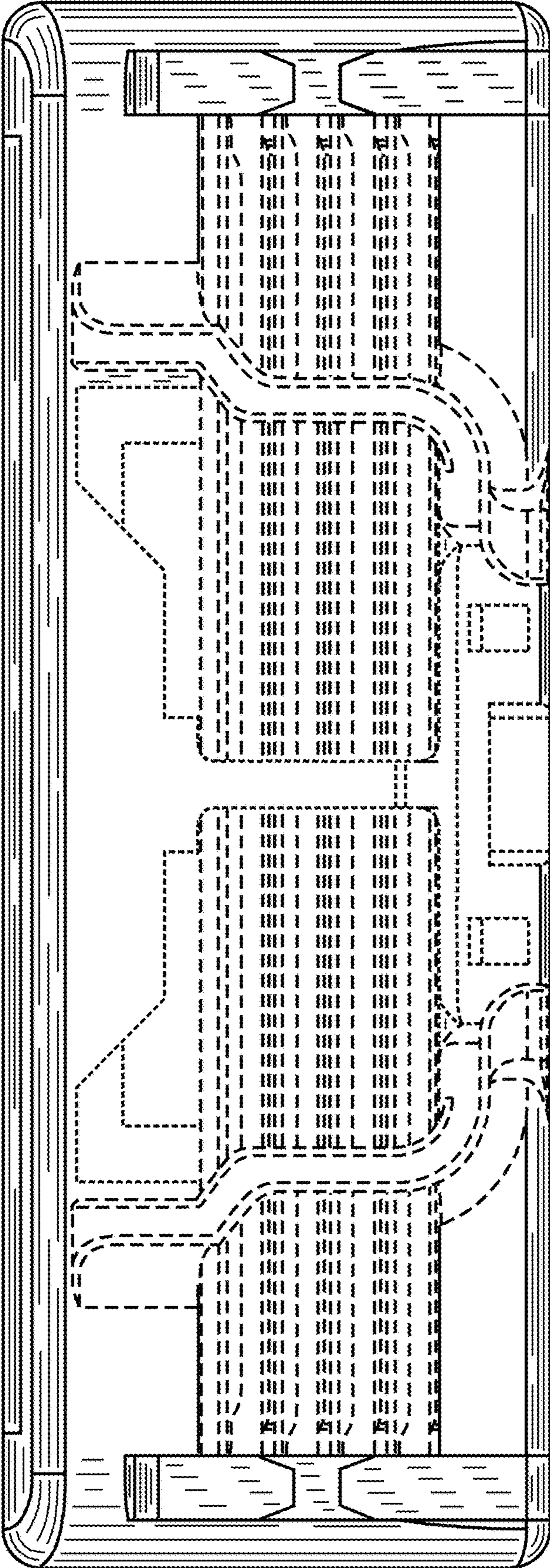


FIG. 8