



US00D816908S

(12) **United States Design Patent**
Zucker

(10) **Patent No.:** **US D816,908 S**
(45) **Date of Patent:** **** May 1, 2018**

- (54) **RAZOR CARTRIDGE**
- (71) Applicant: **Personal Care Marketing and Research, Inc.**, Beverly Hills, CA (US)
- (72) Inventor: **Shlomo Zucker**, Mihmoret (IL)
- (73) Assignee: **Personal Care Marketing and Research International**, Beit She'an (IL)
- (**) Term: **15 Years**

- D533,684 S 12/2006 Gray et al.
- D535,784 S 1/2007 Wonderley et al.
- D547,494 S 7/2007 Watson et al.
- D556,378 S 11/2007 Watson et al.
- D560,034 S 1/2008 Fischer et al.
- D563,043 S 2/2008 Ramm
- D563,044 S 2/2008 Ramm
- D575,454 S 8/2008 Keene et al.
- D588,309 S 3/2009 Wonderley et al.
- D588,744 S 3/2009 Fischer et al.
- D588,745 S 3/2009 Fischer et al.
- D601,753 S 10/2009 Cataudella et al.

(Continued)

- (21) Appl. No.: **29/577,356**
- (22) Filed: **Sep. 12, 2016**

Primary Examiner — Jennifer Rivard
(74) *Attorney, Agent, or Firm* — Edward B. Weller

Related U.S. Application Data

- (63) Continuation of application No. 29/558,508, filed on Mar. 18, 2016.
- (51) **LOC (11) Cl.** **28-03**
- (52) **U.S. Cl.**
USPC **D28/47**
- (58) **Field of Classification Search**
USPC D28/44, 45–48
CPC B26B 21/00–21/06; B26B 21/08–21/4031;
B26B 21/4043; B26B 21/4062; B26B
21/4068–21/4075
See application file for complete search history.

(57) **CLAIM**

I claim the ornamental design for a razor cartridge, as shown and described.

DESCRIPTION

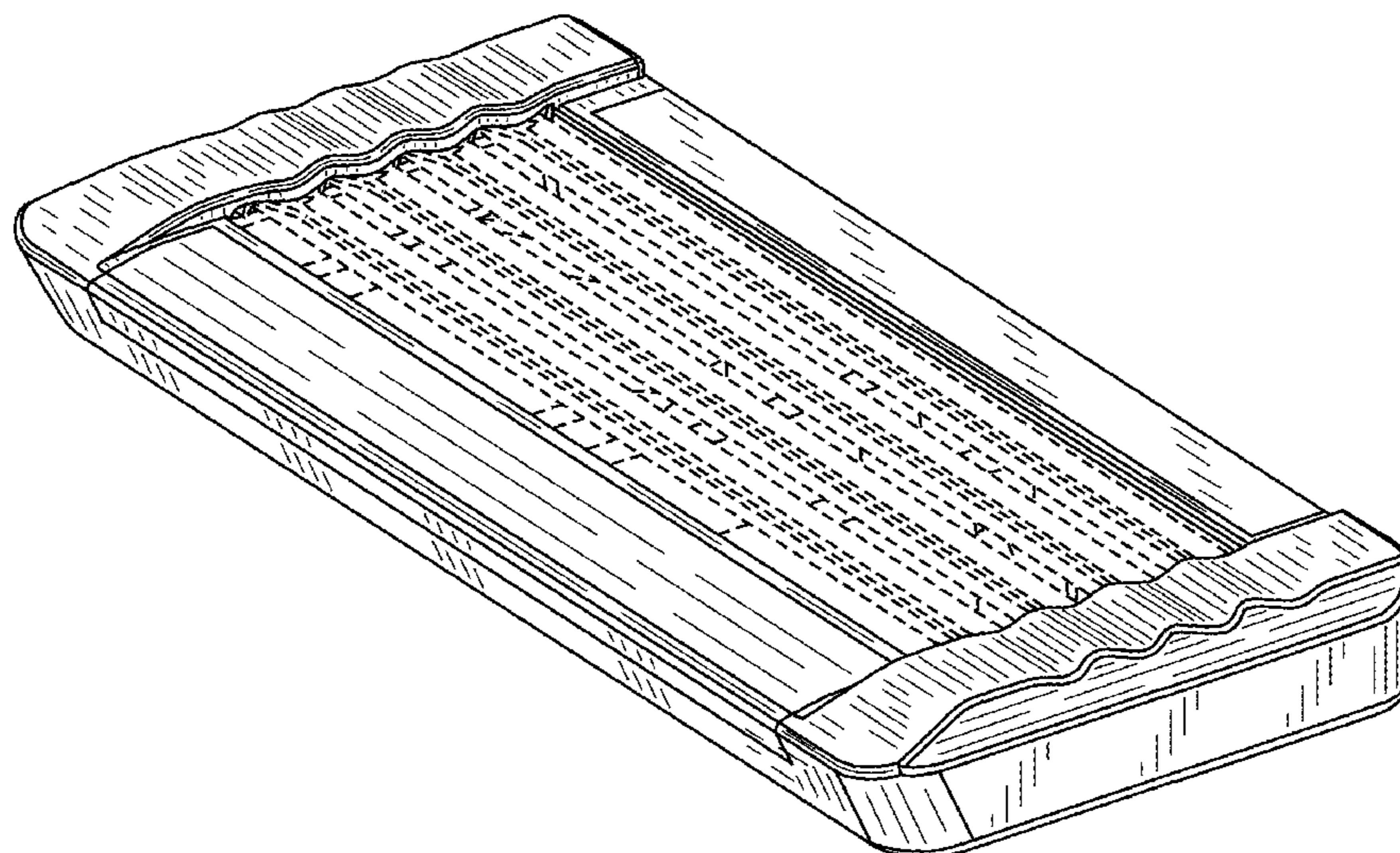
FIG. 1 is a front perspective of a razor cartridge, according to an embodiment of my new design;
 FIG. 2 is a bottom perspective of a razor cartridge, according to an embodiment of my new design;
 FIG. 3 is a front elevational view of a razor cartridge, according to an embodiment of my new design;
 FIG. 4 is a rear elevational view of a razor cartridge, according to an embodiment of my new design;
 FIG. 5 is a left elevational view of a razor cartridge, according to an embodiment of my new design;
 FIG. 6 is a right elevational view of a razor cartridge, according to an embodiment of my new design;
 FIG. 7 is a top plan view of a razor cartridge, according to an embodiment of my new design; and,
 FIG. 8 is a bottom plan view of a razor cartridge, according to an embodiment of my new design.
 The broken lines illustrate portions of the razor cartridge and form no part of the claimed design.

(56) **References Cited**

U.S. PATENT DOCUMENTS

- D346,042 S * 4/1994 Chu D28/46
- D415,315 S 10/1999 Swanson et al.
- D422,751 S 4/2000 Gray
- D484,275 S 12/2003 Prochaska
- D499,843 S 12/2004 Nakasuka
- D514,253 S 1/2006 Gray
- D516,243 S 2/2006 Nakasuka
- D524,986 S 7/2006 Prudden, Jr.
- D526,089 S 8/2006 Fischer et al.

1 Claim, 8 Drawing Sheets



(56)

References Cited

U.S. PATENT DOCUMENTS

D604,904 S * 11/2009 Watson D28/47
 7,681,314 B2 * 3/2010 Follo B26B 21/222
 30/34.2
 D617,946 S 6/2010 Lukan et al.
 D617,947 S * 6/2010 Lukan D28/47
 D617,948 S 6/2010 Lukan et al.
 D617,949 S 6/2010 Lukan et al.
 7,765,700 B2 * 8/2010 Aviza B26B 21/4068
 30/50
 D625,049 S 10/2010 Bridges et al.
 D625,883 S 10/2010 Wonderley
 D629,564 S 12/2010 Jung
 D630,378 S 1/2011 Jung
 D630,797 S 1/2011 Witkus
 D631,198 S 1/2011 Adams et al.
 D633,253 S 2/2011 Wonderley et al.
 D633,254 S 2/2011 Witkus
 D634,474 S 3/2011 Wilby
 D635,717 S 4/2011 Furtek
 D636,532 S 4/2011 Jessemeey et al.
 D639,507 S 6/2011 Furtek
 D640,415 S 6/2011 Wonderley et al.
 D643,976 S 8/2011 Wonderley et al.
 D643,977 S 8/2011 Wonderley et al.

D648,075 S 11/2011 Wonderley et al.
 D648,076 S 11/2011 Jessemeey et al.
 D653,395 S * 1/2012 Adams D28/47
 D661,425 S * 6/2012 Cataudella D28/46
 D661,426 S 6/2012 Wain et al.
 D662,661 S 6/2012 Corbell et al.
 D699,892 S 2/2014 Wonderley
 D707,885 S 6/2014 Cataudella et al.
 D730,578 S 5/2015 Long et al.
 D737,511 S 8/2015 Lettenberger et al.
 D737,513 S 8/2015 Lettenberger et al.
 D741,008 S 10/2015 Bruno et al.
 D741,009 S 10/2015 Bruno et al.
 D741,546 S 10/2015 Witkus et al.
 D748,856 S 2/2016 Mahony et al.
 9,248,579 B2 * 2/2016 DePuydt B26B 21/00
 D766,505 S * 9/2016 Coviello D28/46
 2007/0227009 A1 * 10/2007 Zhuk B26B 21/60
 30/50
 2007/0266565 A1 * 11/2007 Aviza B26B 21/4068
 30/50
 2009/0113716 A1 * 5/2009 Wain B26B 21/4068
 30/50
 2014/0283387 A1 * 9/2014 Bozikis B26B 21/4031
 30/51
 2017/0028577 A1 * 2/2017 Ntavos B26B 21/4012
 2017/0151684 A1 * 6/2017 Bozikis B26B 21/227

* cited by examiner

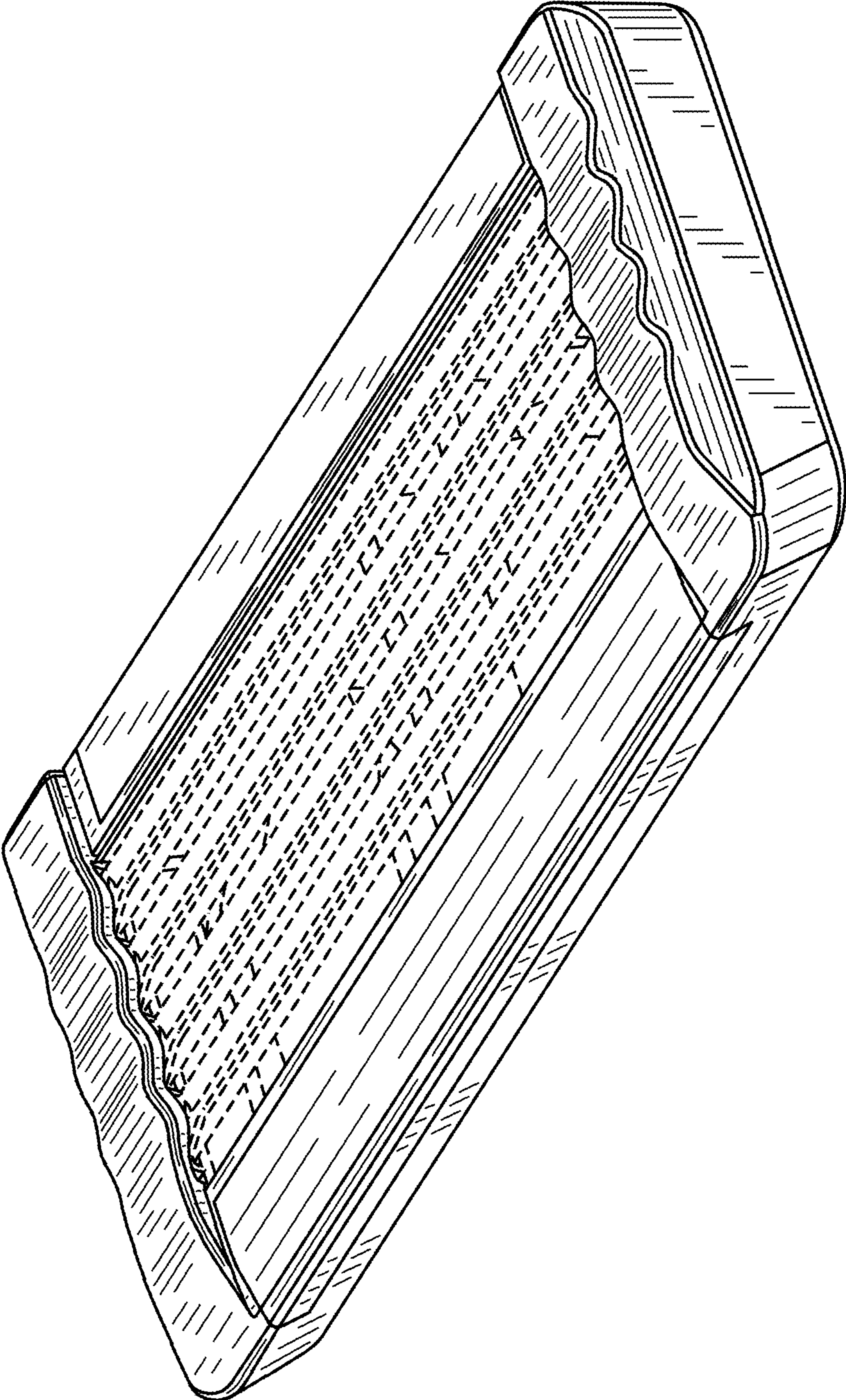


FIG. 1

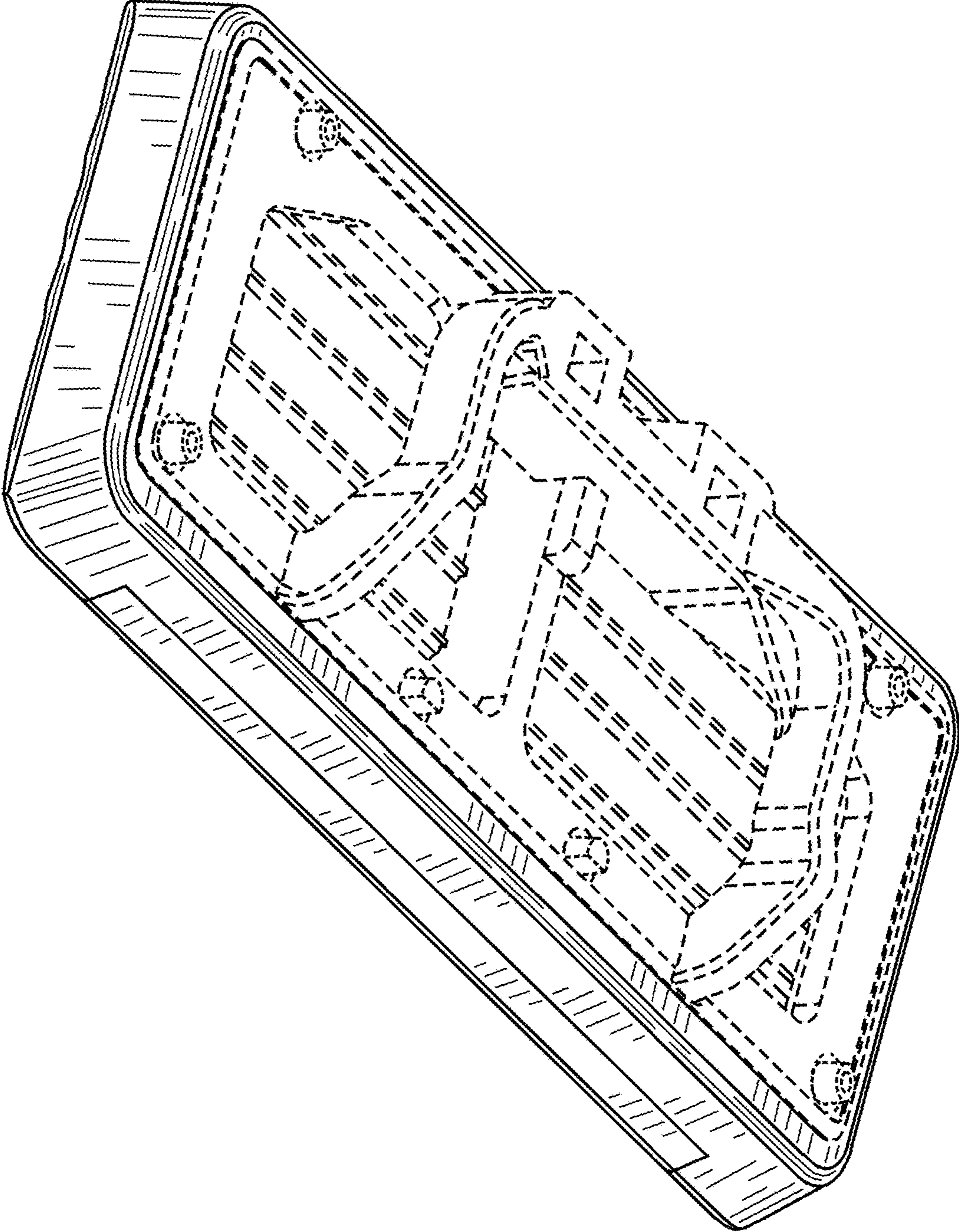


FIG. 2

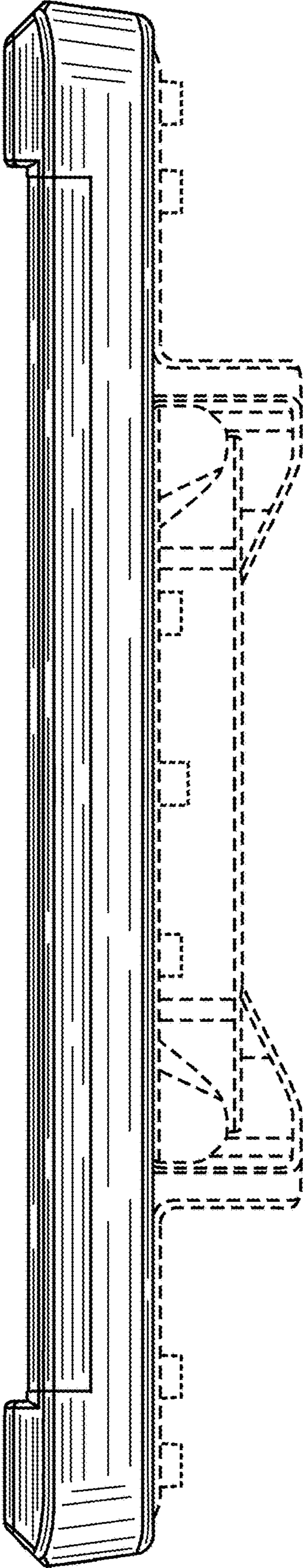


FIG. 3

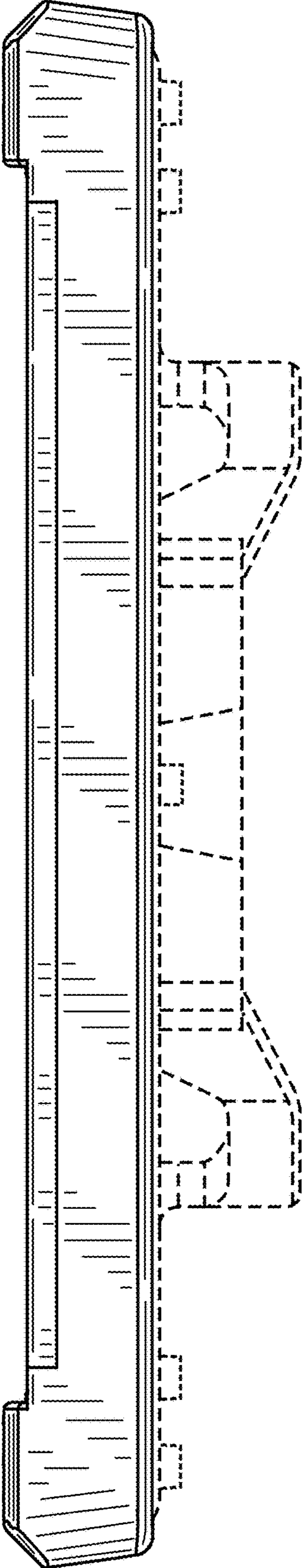


FIG. 4

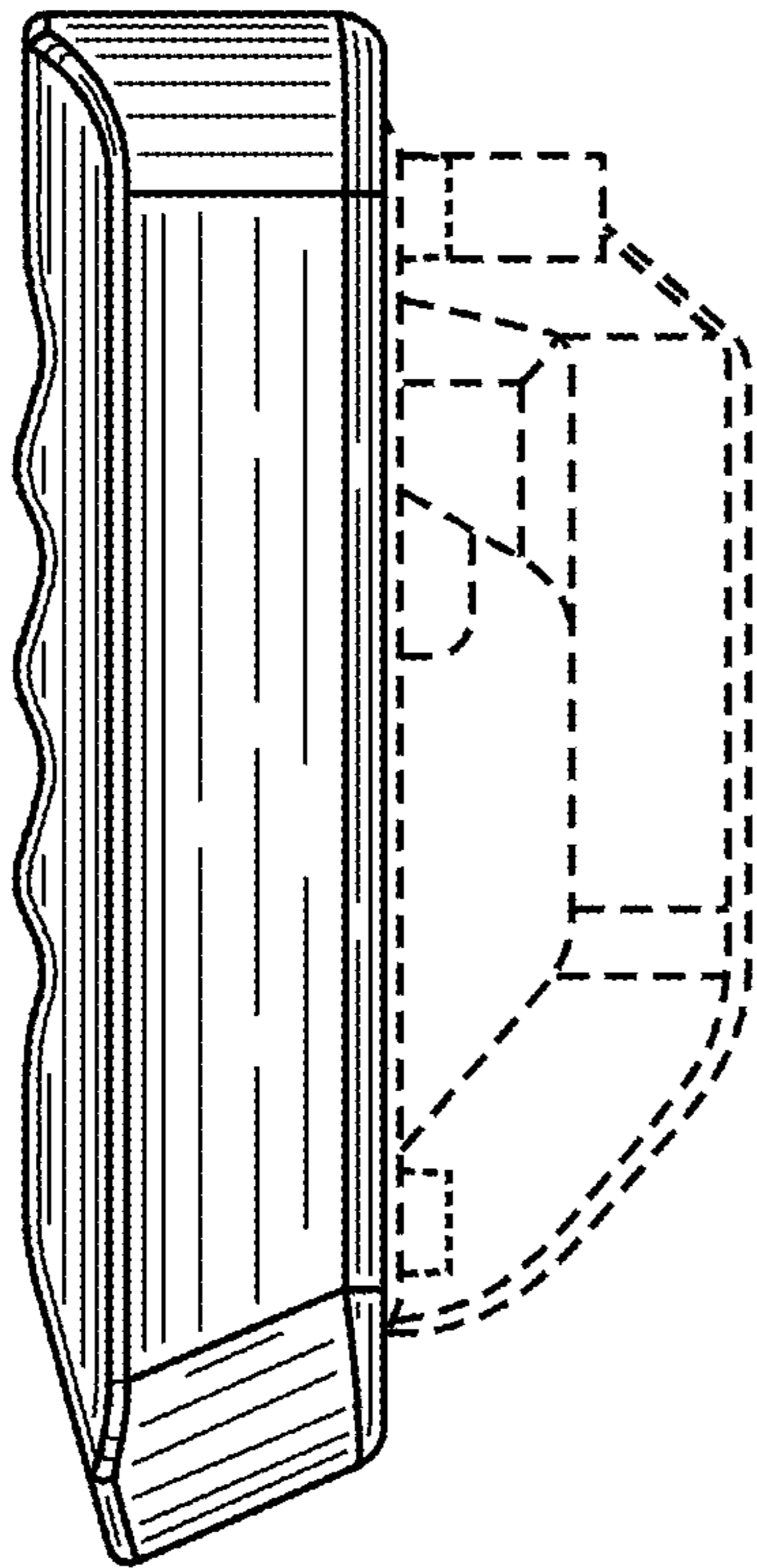


FIG. 5

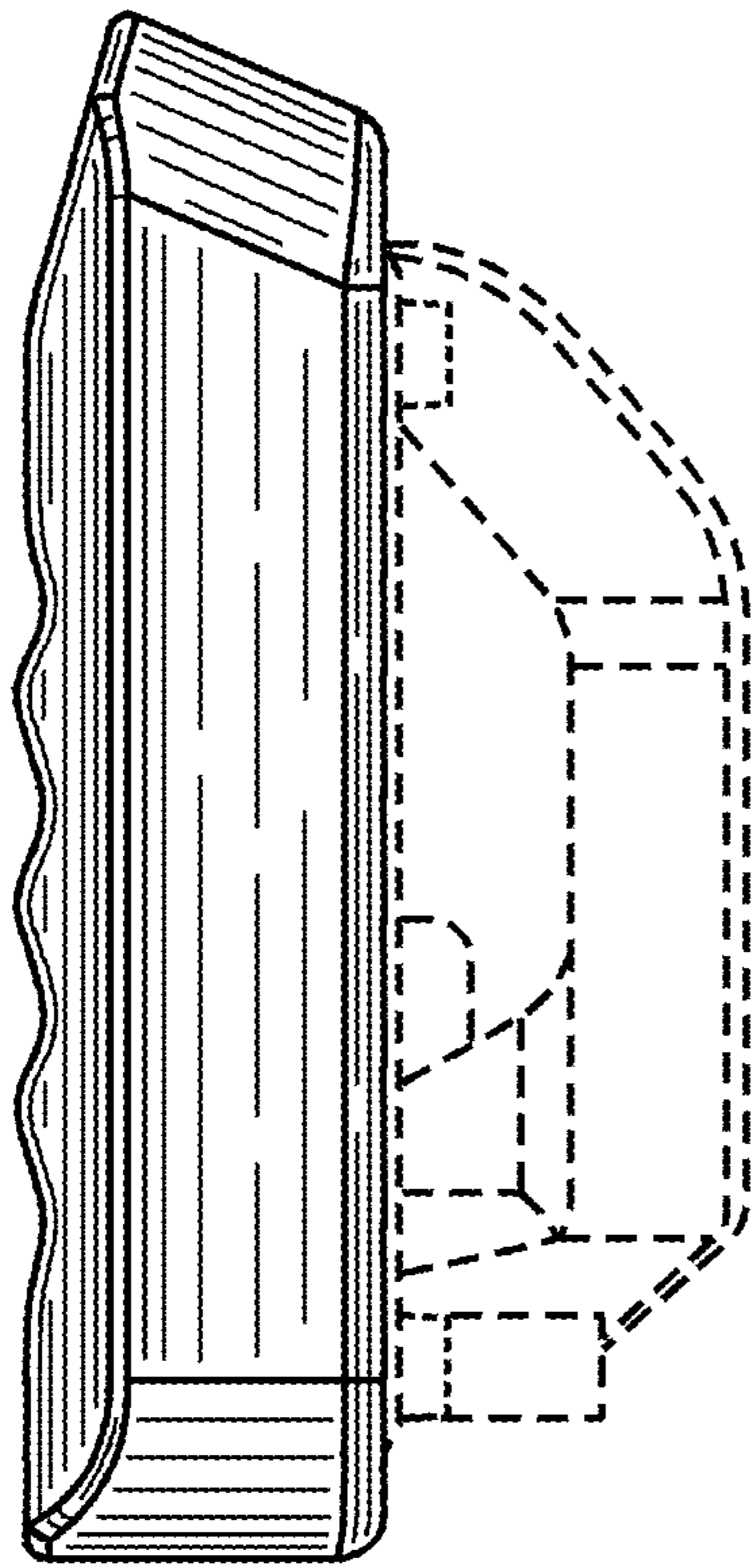


FIG. 6

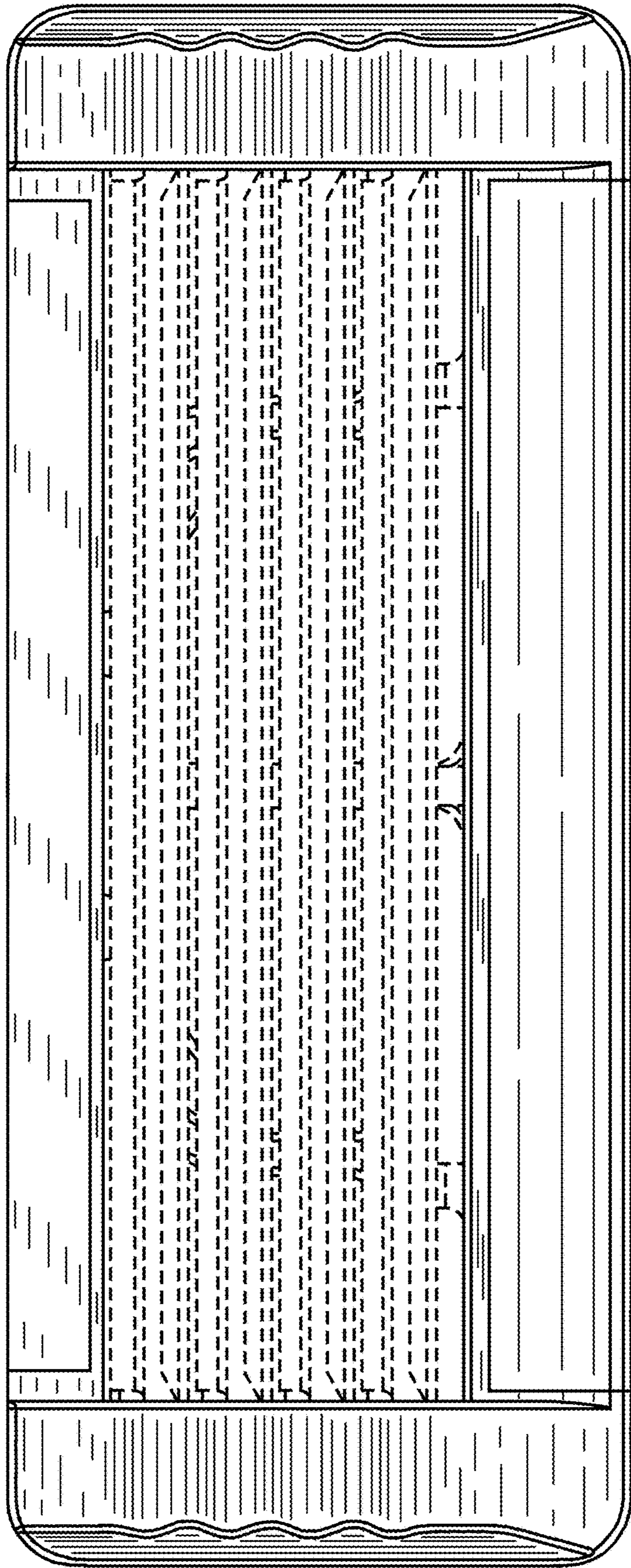


FIG. 7

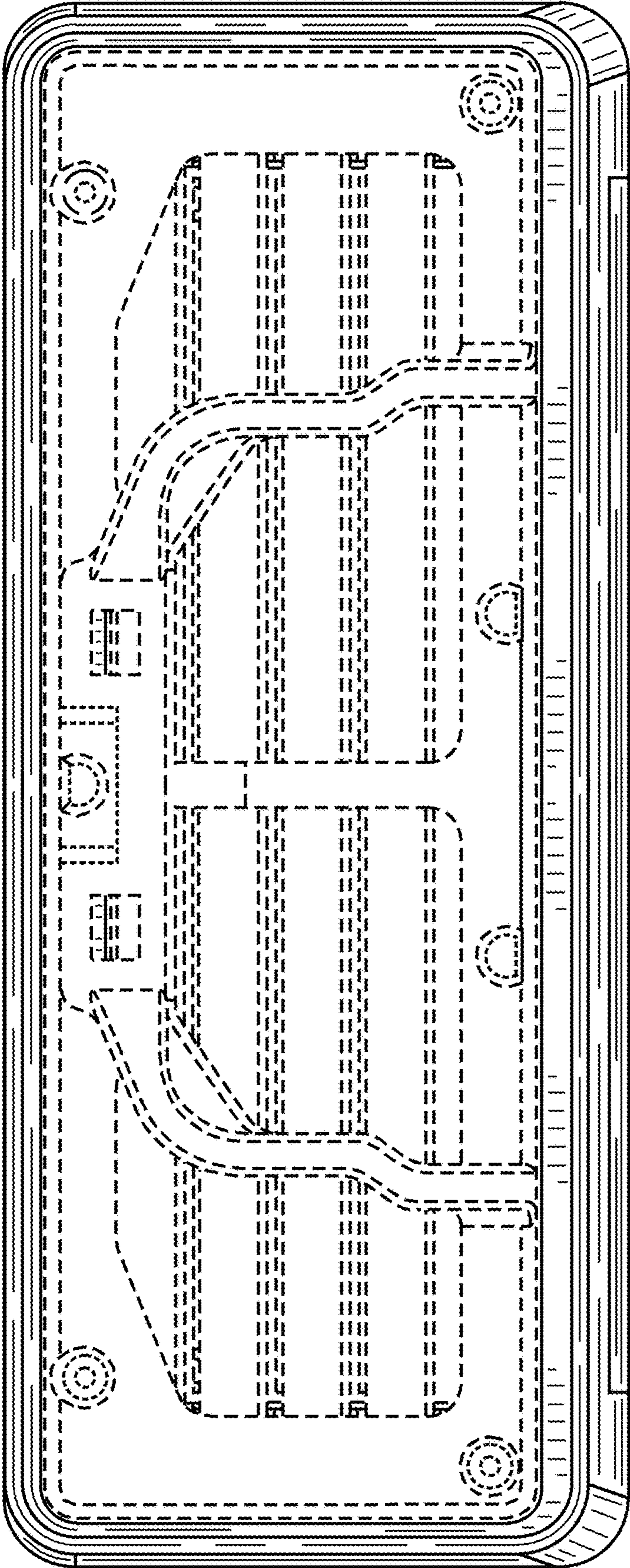


FIG. 8