



US00D816907S

(12) **United States Design Patent** (10) **Patent No.:** **US D816,907 S**
Zucker (45) **Date of Patent:** **** May 1, 2018**

(54) **RAZOR FRAME**
(71) Applicant: **Personal Care Marketing and Research, Inc.**, Beverly Hills, CA (US)
(72) Inventor: **Shlomo Zucker**, Mihmoret (IL)
(73) Assignee: **Personal Care Marketing and Research International**, Beit She'an (IL)

(**) Term: **15 Years**

(21) Appl. No.: **29/558,512**

(22) Filed: **Mar. 18, 2016**

(51) **LOC (11) Cl.** **28-03**

(52) **U.S. Cl.**
USPC **D28/47**

(58) **Field of Classification Search**
USPC D28/44, 45-48
CPC B26B 21/00-21/06; B26B 21/08-21/4031;
B26B 21/4043; B26B 21/4062; B26B
21/4068-21/4075
See application file for complete search history.

(56) **References Cited**

U.S. PATENT DOCUMENTS

7,607,230	B2 *	10/2009	Aviza	B26B 21/4068	30/50
7,765,700	B2 *	8/2010	Aviza	B26B 21/4068	30/50
7,992,304	B2	8/2011	Nakasuka			
8,046,920	B2	11/2011	Nakasuka			
8,104,179	B2	1/2012	Nakasuka			
2009/0113716	A1 *	5/2009	Wain	B26B 21/4068	30/50

2014/0283387	A1 *	9/2014	Bozikis	B26B 21/4031	30/51
2015/0158191	A1 *	6/2015	Jeong	B26B 21/4018	30/41
2016/0121499	A1 *	5/2016	Yoo	B26B 21/56	30/50
2017/0021513	A1 *	1/2017	Liberatore	B26B 21/225	
2017/0151684	A1 *	6/2017	Bozikis	B26B 21/227	

* cited by examiner

Primary Examiner — Jennifer Rivard

(74) *Attorney, Agent, or Firm* — Edward B. Weller

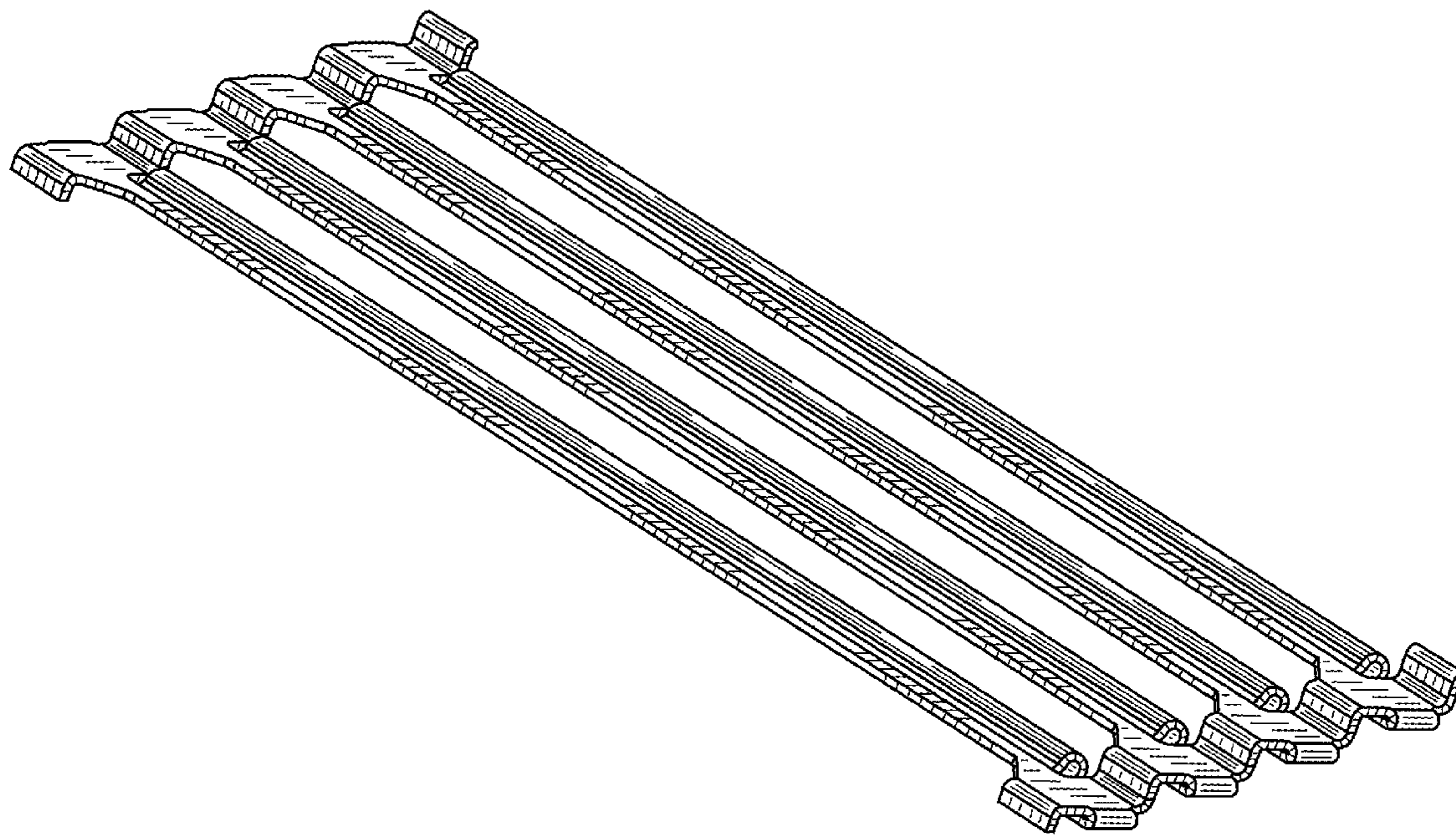
(57) **CLAIM**

I claim the ornamental design for a razor frame, as shown and described.

DESCRIPTION

FIG. 1 is a front perspective of a razor frame, according to an embodiment of my new design;
FIG. 2 is a bottom perspective of a razor frame, according to an embodiment of my new design;
FIG. 3 is a front elevational view of a razor frame, according to an embodiment of my new design;
FIG. 4 is a rear elevational view of a razor frame, according to an embodiment of my new design;
FIG. 5 is a left elevational view of a razor frame, according to an embodiment of my new design;
FIG. 6 is a right elevational view of a razor frame, according to an embodiment of my new design;
FIG. 7 is a top plan view of a razor frame, according to an embodiment of my new design; and,
FIG. 8 is a bottom plan view of a razor frame, according to an embodiment of my new design.

1 Claim, 8 Drawing Sheets



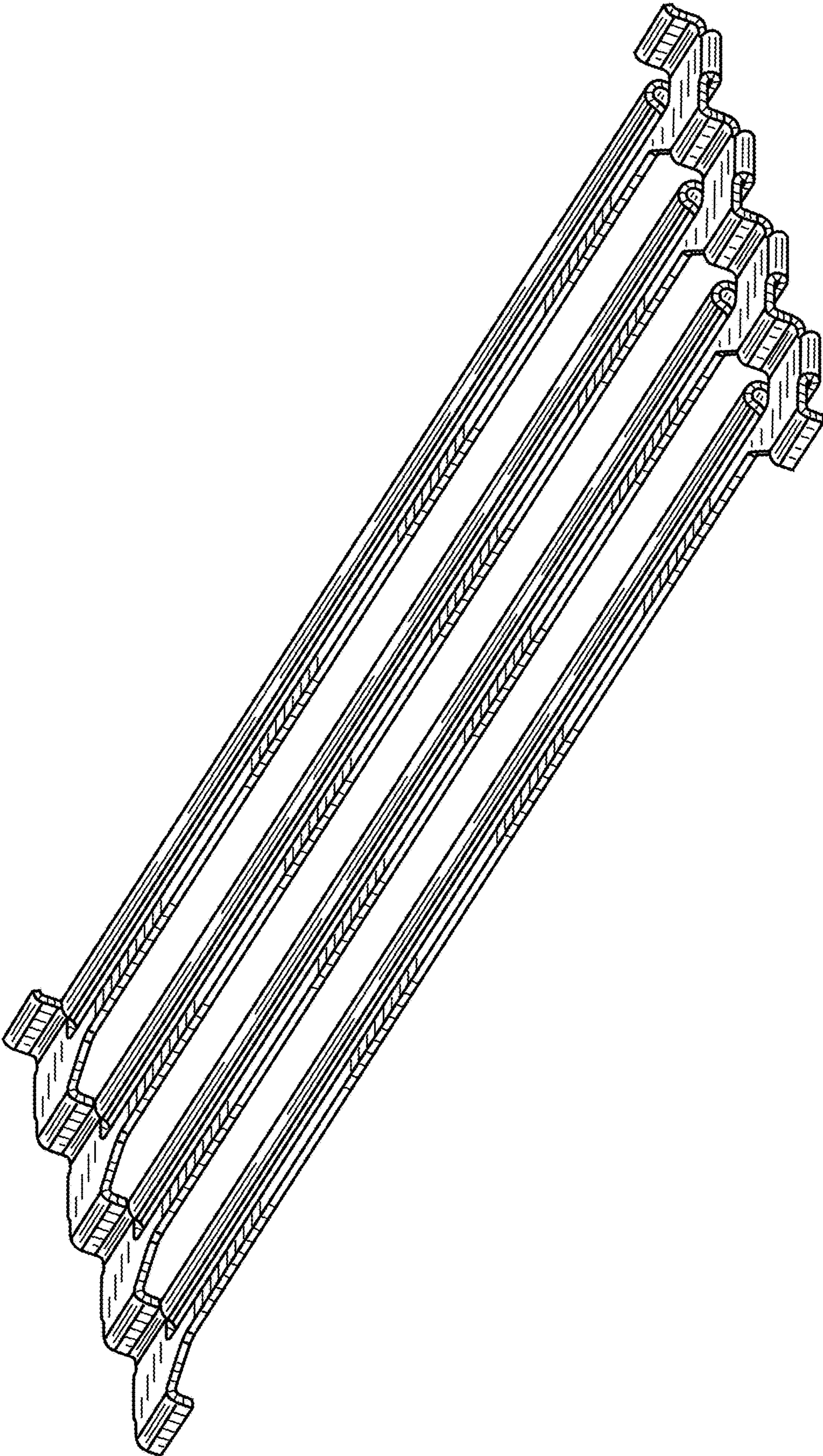


FIG. 1

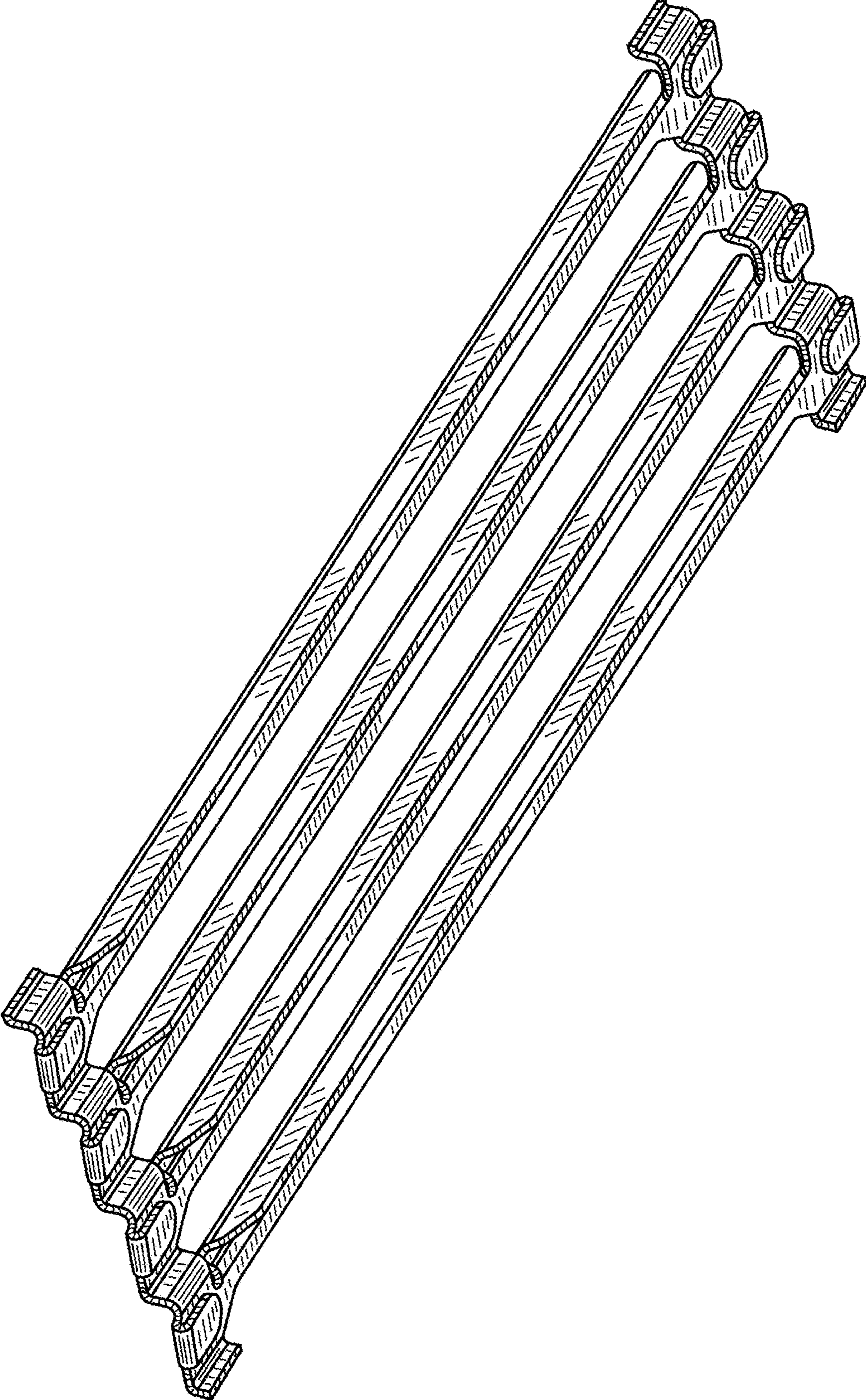


FIG. 2



FIG. 3



FIG. 4



FIG. 5



FIG. 6

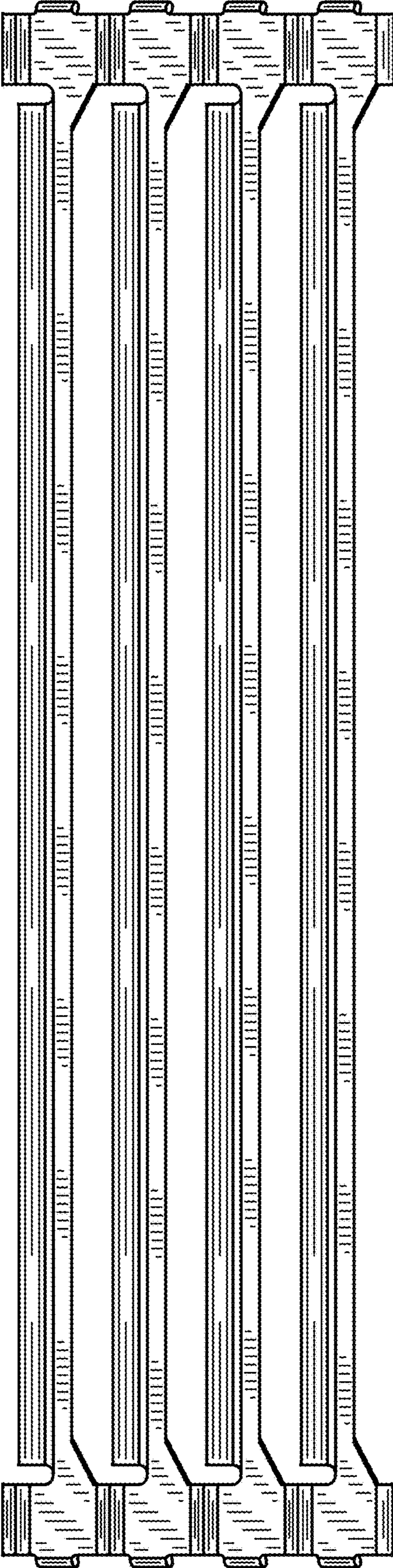


FIG. 7

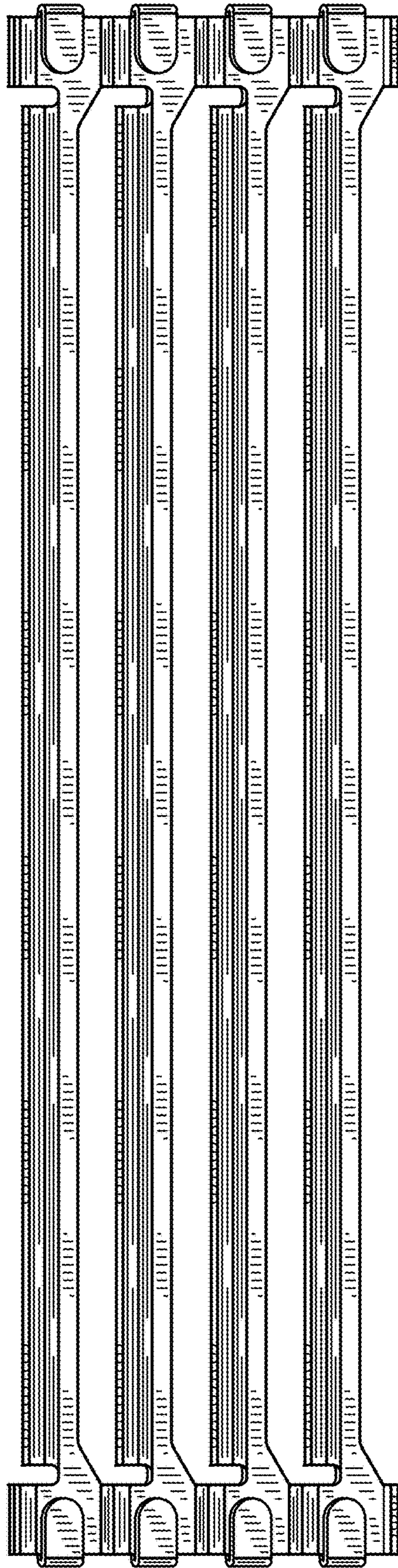


FIG. 8