



US00D816906S

(12) **United States Design Patent** (10) **Patent No.:** **US D816,906 S**
Zucker (45) **Date of Patent:** **** May 1, 2018**

(54) **RAZOR CARTRIDGE**
(71) Applicant: **Personal Care Marketing and Research, Inc.**, Beverly Hills, CA (US)
(72) Inventor: **Shlomo Zucker**, Mihmoret (IL)
(73) Assignee: **Personal Care Marketing and Research International**, Beit She'an (IL)

D547,494 S 7/2007 Watson et al.
D556,378 S 11/2007 Watson et al.
D560,034 S * 1/2008 Fischer D28/48
D563,043 S 2/2008 Ramm
D563,044 S 2/2008 Ramm
D575,454 S 8/2008 Keene et al.
D588,309 S 3/2009 Wonderley et al.
D588,744 S * 3/2009 Fischer D28/47
D588,745 S 3/2009 Fischer et al.
D601,753 S 10/2009 Cataudella et al.
D604,904 S 11/2009 Watson
D617,946 S 6/2010 Lukan et al.

(**) Term: **15 Years**

(Continued)

(21) Appl. No.: **29/558,510**

Primary Examiner — Jennifer Rivard
(74) Attorney, Agent, or Firm — Edward B. Weller

(22) Filed: **Mar. 18, 2016**

(51) **LOC (11) Cl.** **28-03**
(52) **U.S. Cl.**
USPC **D28/47**

(57) **CLAIM**

I claim the ornamental design for a razor cartridge, as shown and described.

(58) **Field of Classification Search**
USPC D28/44, 45–48
CPC B26B 21/00–21/06; B26B 21/08–21/4031;
B26B 21/4043; B26B 21/4062; B26B
21/4068–21/4075
See application file for complete search history.

DESCRIPTION

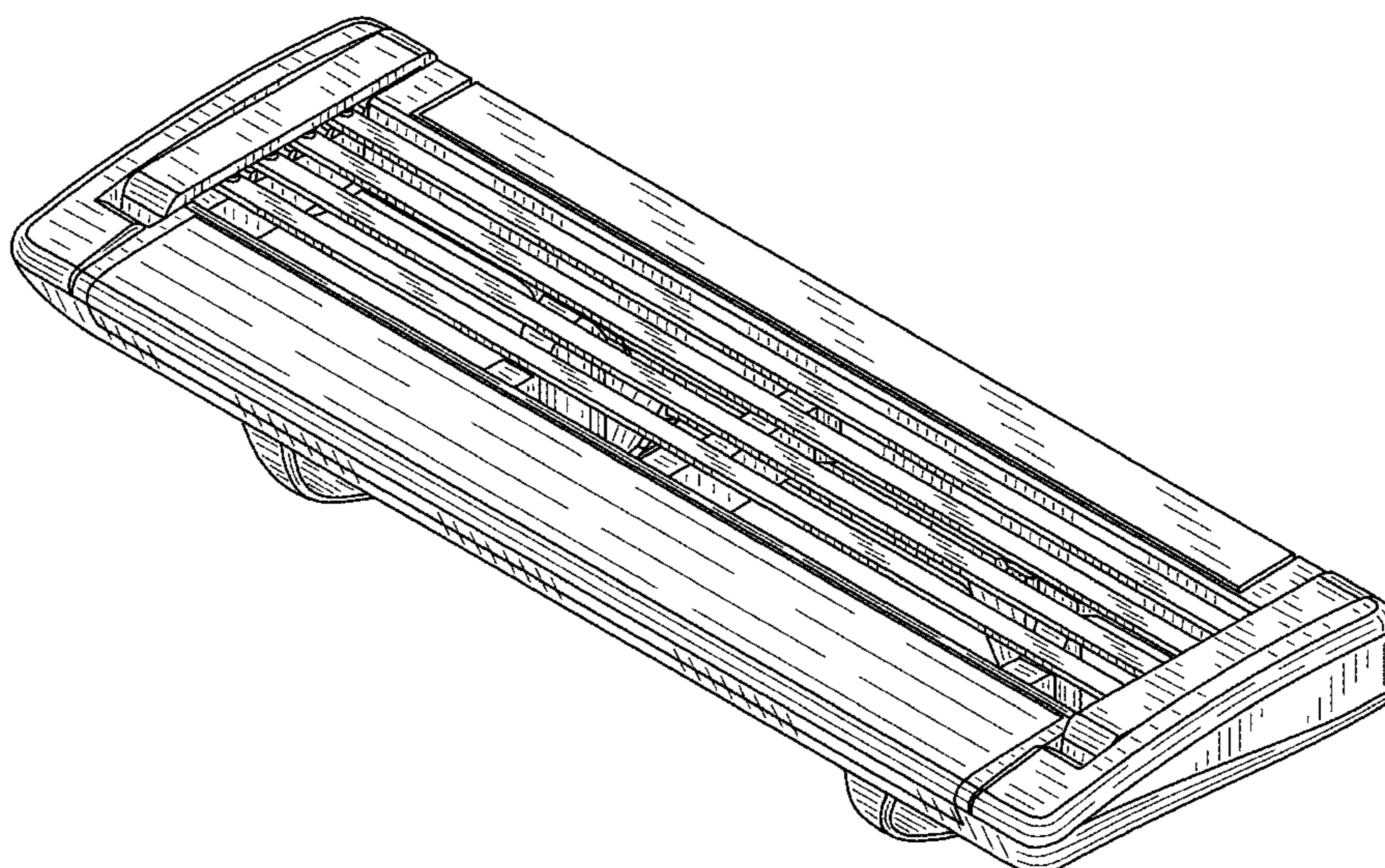
FIG. 1 is a front perspective of a razor cartridge, according to an embodiment of my new design;
FIG. 2 is a bottom perspective of a razor cartridge, according to an embodiment of my new design;
FIG. 3 is a front elevational view of a razor cartridge, according to an embodiment of my new design;
FIG. 4 is a rear elevational view of a razor cartridge, according to an embodiment of my new design;
FIG. 5 is a left elevational view of a razor cartridge, according to an embodiment of my new design;
FIG. 6 is a right elevational view of a razor cartridge, according to an embodiment of my new design;
FIG. 7 is a top plan view of a razor cartridge, according to an embodiment of my new design; and,
FIG. 8 is a bottom plan view of a razor cartridge, according to an embodiment of my new design.
The broken lines illustrate portions of the razor cartridge and form no part of the claimed design.

(56) **References Cited**

U.S. PATENT DOCUMENTS

4,309,821 A * 1/1982 Terry B26B 21/06
206/372
5,313,705 A * 5/1994 Rivers B26B 21/4012
30/50
D415,315 S 10/1999 Swanson et al.
D422,751 S 4/2000 Gray
D484,275 S 12/2003 Prochaska
D499,843 S 12/2004 Nakasuka
D514,253 S 1/2006 Gray
D516,243 S 2/2006 Nakasuka
D524,986 S 7/2006 Prudden, Jr.
D526,089 S 8/2006 Fischer et al.
D533,684 S 12/2006 Gray et al.
D535,784 S 1/2007 Wonderley et al.

1 Claim, 8 Drawing Sheets



(56)

References Cited

U.S. PATENT DOCUMENTS

D617,947 S	6/2010	Lukan et al.	D699,892 S	2/2014	Wonderley
D617,948 S	6/2010	Lukan et al.	D701,646 S *	3/2014	Jobdevairakkam D28/47
D617,949 S	6/2010	Lukan et al.	D707,885 S	6/2014	Cataudella et al.
7,765,700 B2 *	8/2010	Aviza B26B 21/4068 30/50	D730,578 S	5/2015	Long et al.
D625,049 S	10/2010	Bridges et al.	D737,511 S	8/2015	Lettenberger et al.
D625,883 S	10/2010	Wonderley	D737,513 S	8/2015	Lettenberger et al.
D629,564 S	12/2010	Jung	D741,008 S	10/2015	Bruno et al.
D630,378 S	1/2011	Jung	D741,009 S	10/2015	Bruno et al.
D630,797 S	1/2011	Witkus	D741,546 S	10/2015	Witkus et al.
D631,198 S	1/2011	Adams et al.	D748,856 S	2/2016	Mahony et al.
D633,253 S	2/2011	Wonderley et al.	9,248,579 B2 *	2/2016	DePuydt B26B 21/00
D633,254 S	2/2011	Witkus	2007/0227009 A1 *	10/2007	Zhuk B26B 21/60 30/50
D634,474 S	3/2011	Wilby	2007/0266565 A1 *	11/2007	Aviza B26B 21/4068 30/50
D635,717 S	4/2011	Furtek	2008/0034593 A1 *	2/2008	Coffin B26B 21/222 30/50
D636,532 S	4/2011	Jessemey et al.	2008/0250647 A1 *	10/2008	Fischer B26B 21/222 30/50
D639,507 S	6/2011	Furtek	2009/0113716 A1 *	5/2009	Wain B26B 21/4068 30/50
D640,415 S	6/2011	Wonderley et al.	2014/0283387 A1 *	9/2014	Bozikis B26B 21/4031 30/51
D643,976 S	8/2011	Wonderley et al.	2017/0021513 A1 *	1/2017	Liberatore B26B 21/225
D643,977 S	8/2011	Wonderley et al.	2017/0028577 A1 *	2/2017	Ntavos B26B 21/4012
D648,075 S	11/2011	Wonderley et al.	2017/0151684 A1 *	6/2017	Bozikis B26B 21/227
D648,076 S	11/2011	Jessemey et al.			
D653,395 S	1/2012	Adams et al.			
D661,426 S	6/2012	Wain et al.			
D662,661 S	6/2012	Corbeil et al.			

* cited by examiner

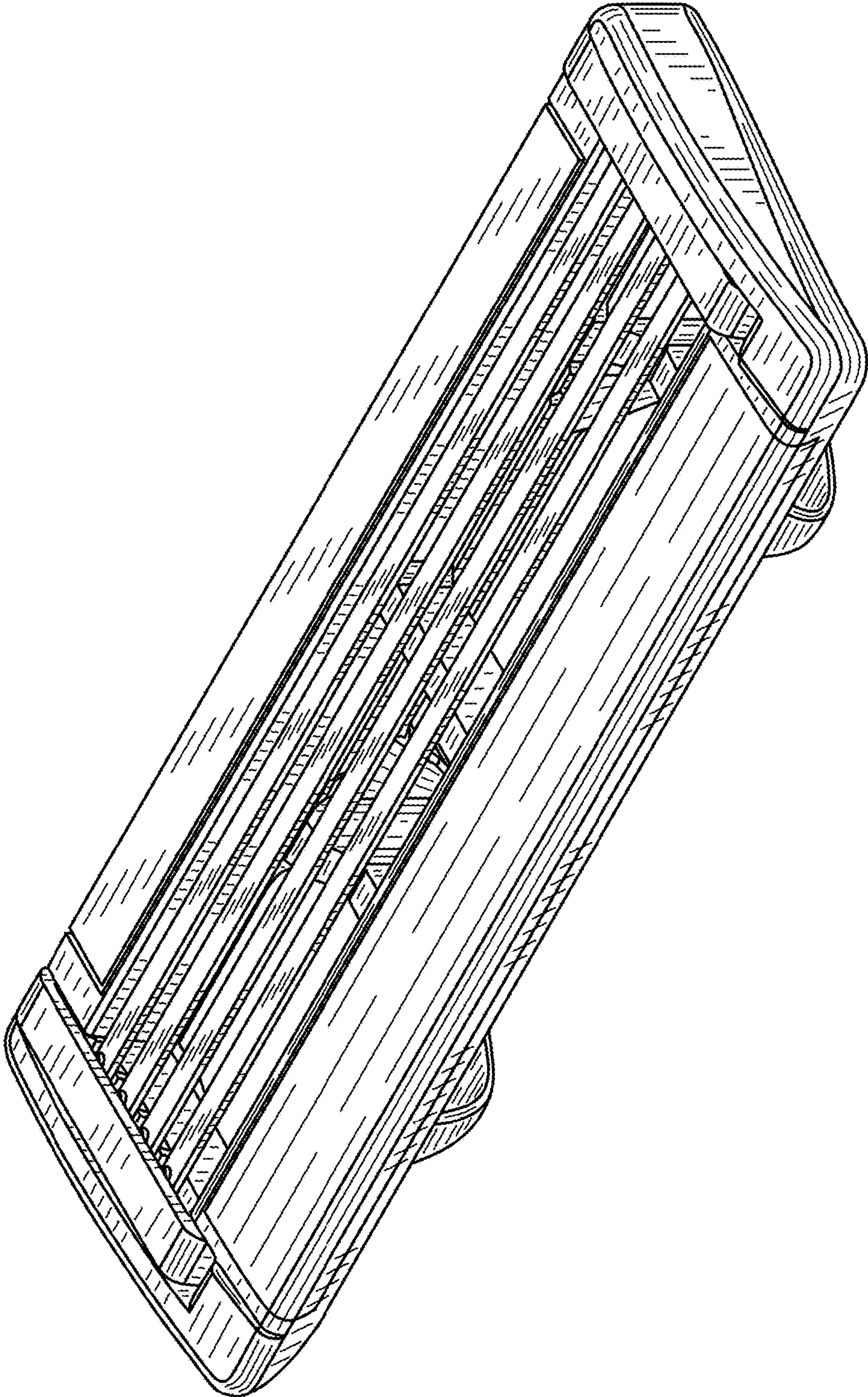


FIG. 1

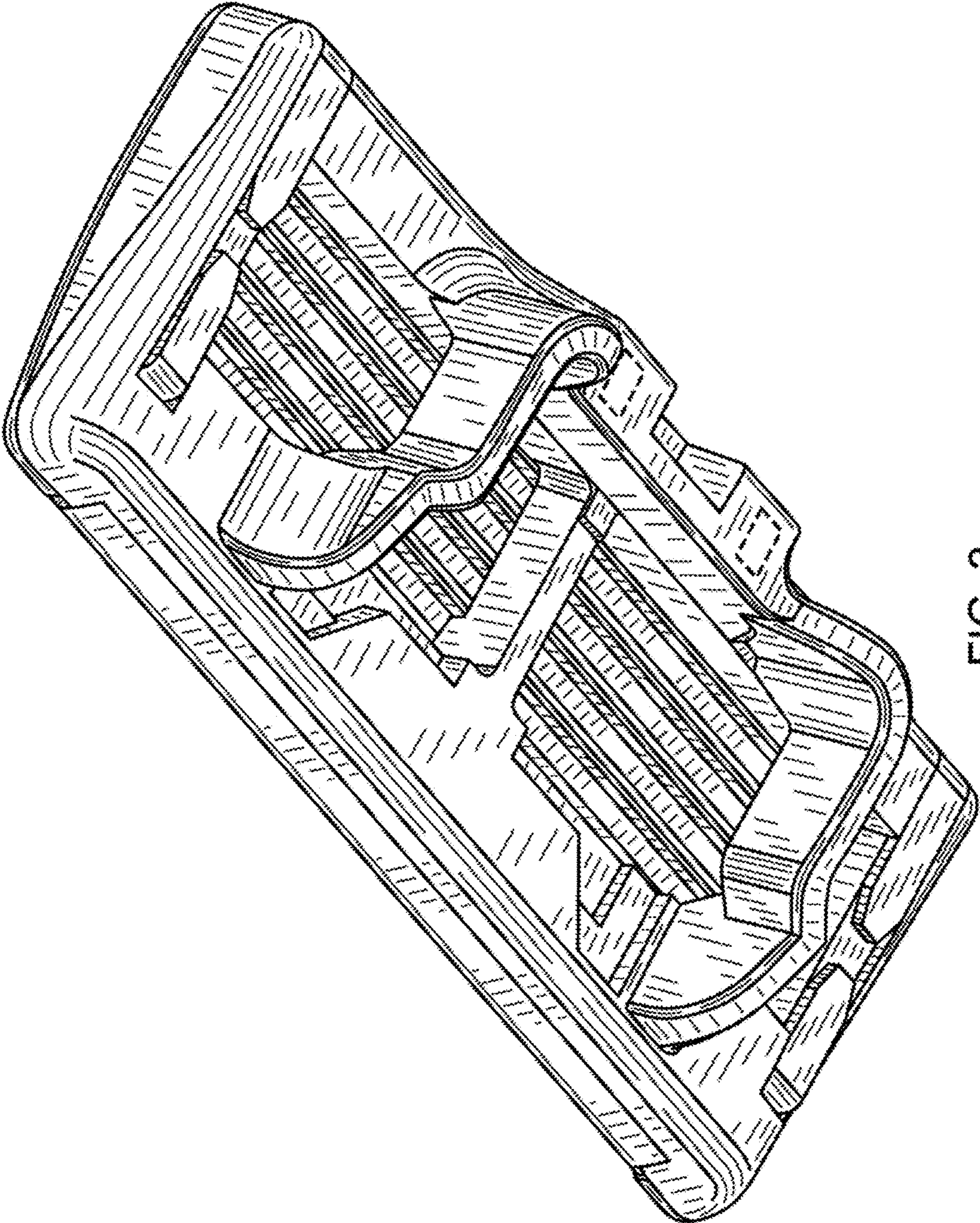


FIG. 2

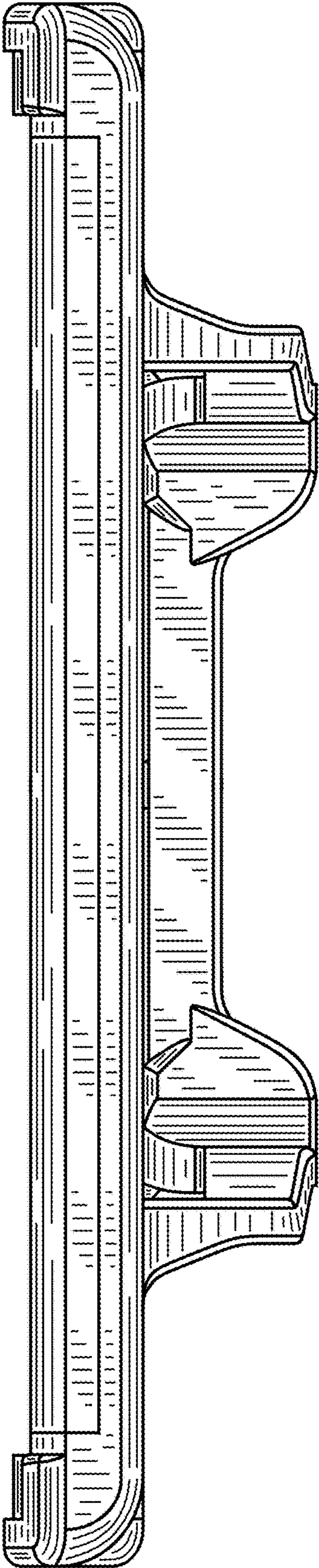


FIG. 3

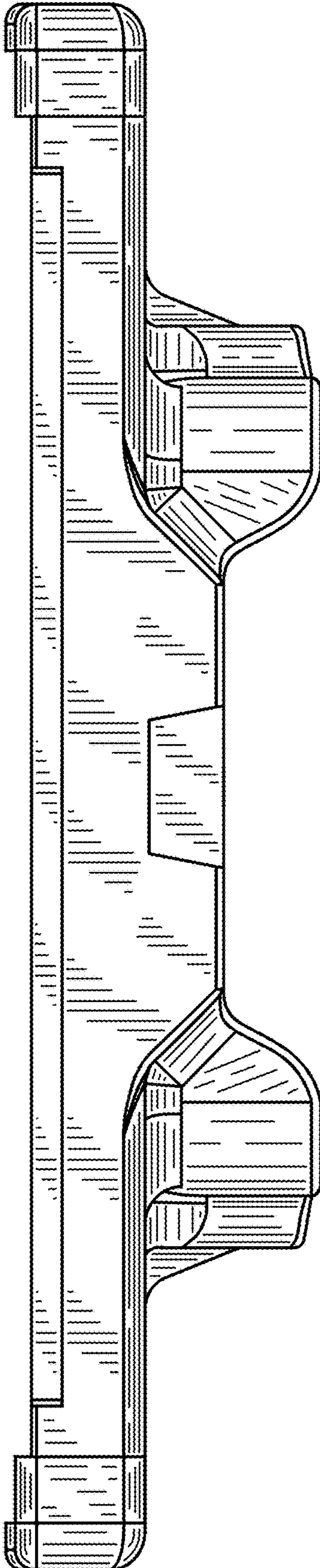


FIG. 4

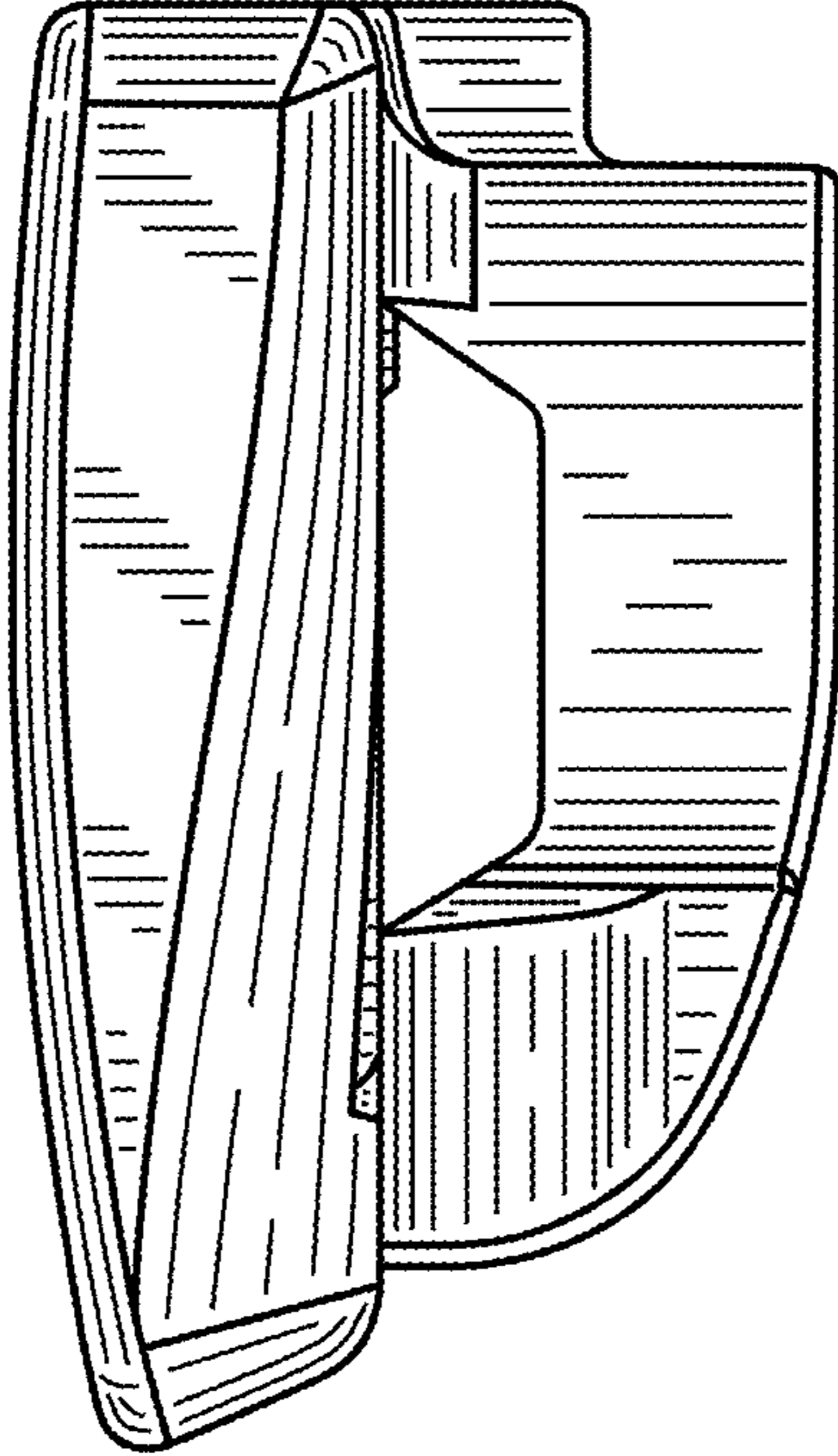


FIG. 5

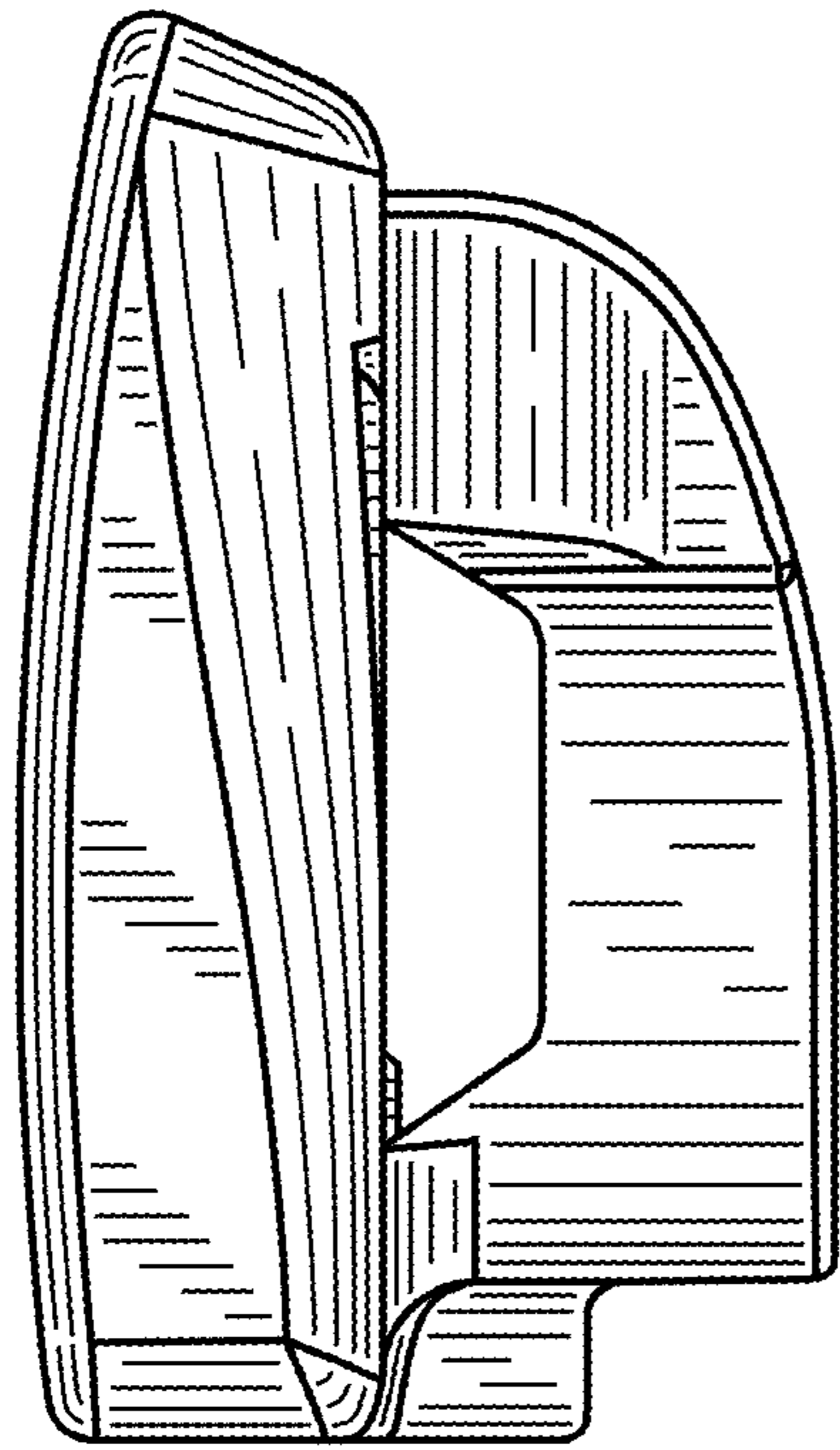


FIG. 6

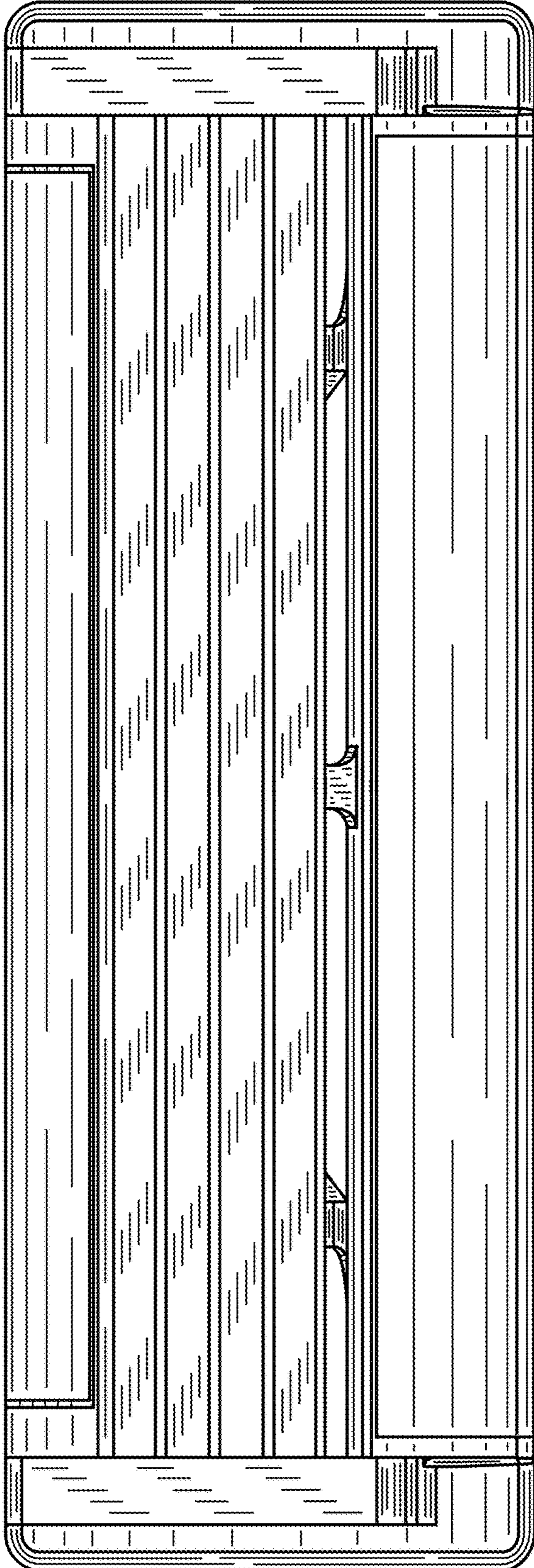


FIG. 7

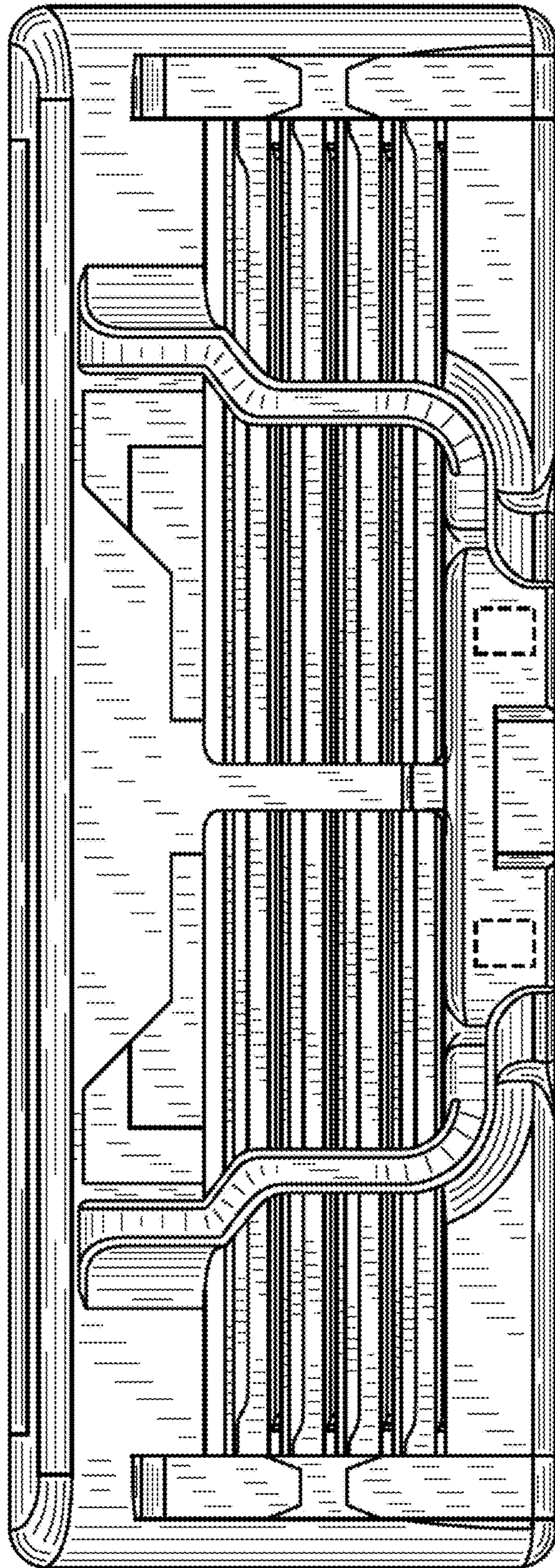


FIG. 8