



US00D816902S

(12) **United States Design Patent** (10) **Patent No.:** **US D816,902 S**
Delassus (45) **Date of Patent:** **** May 1, 2018**

(54) **HAIR STRAIGHTENER**

(56) **References Cited**

(71) Applicant: **KONINKLIJKE PHILIPS N.V.**,
Eindhoven (NL)

U.S. PATENT DOCUMENTS

(72) Inventor: **Elodie Delassus**, Utrecht (NL)

D650,129	S	*	12/2011	Hein	D28/35
D650,130	S	*	12/2011	Hein	D28/35
D651,741	S	*	1/2012	Kim	D28/35
D651,743	S	*	1/2012	Kim	D28/35
D672,087	S	*	12/2012	Julemont	D28/35
D672,088	S	*	12/2012	Julemont	D28/35
D672,089	S	*	12/2012	Julemont	D28/35
D674,541	S	*	1/2013	Kim	D28/35
D682,467	S	*	5/2013	Kim	D28/35
D726,964	S	*	4/2015	Smith	D28/35
D729,450	S	*	5/2015	Van Maanen	D28/35
D780,374	S	*	2/2017	Yu	D28/35
D804,725	S	*	12/2017	Yue	D28/35

(73) Assignee: **KONINKLIJKE PHILIPS N.V.**,
Eindhoven (NL)

(**) Term: **15 Years**

(21) Appl. No.: **35/502,503**

(22) Filed: **Aug. 29, 2016**

* cited by examiner

(80) **Hague Agreement Data**

Int. Filing Date: **Aug. 29, 2016**

Int. Reg. No.: **DM/092302**

Int. Reg. Date: **Aug. 29, 2016**

Int. Reg. Pub. Date: **Mar. 3, 2017**

Primary Examiner — Zenia Bennett

(57) **CLAIM**

The ornamental design for a hair straightener, as shown and described.

(30) **Foreign Application Priority Data**

Mar. 28, 2016 (EM) 003045087-0001

(51) **LOC (11) Cl.** **28-03**

(52) **U.S. Cl.**
USPC **D28/35**

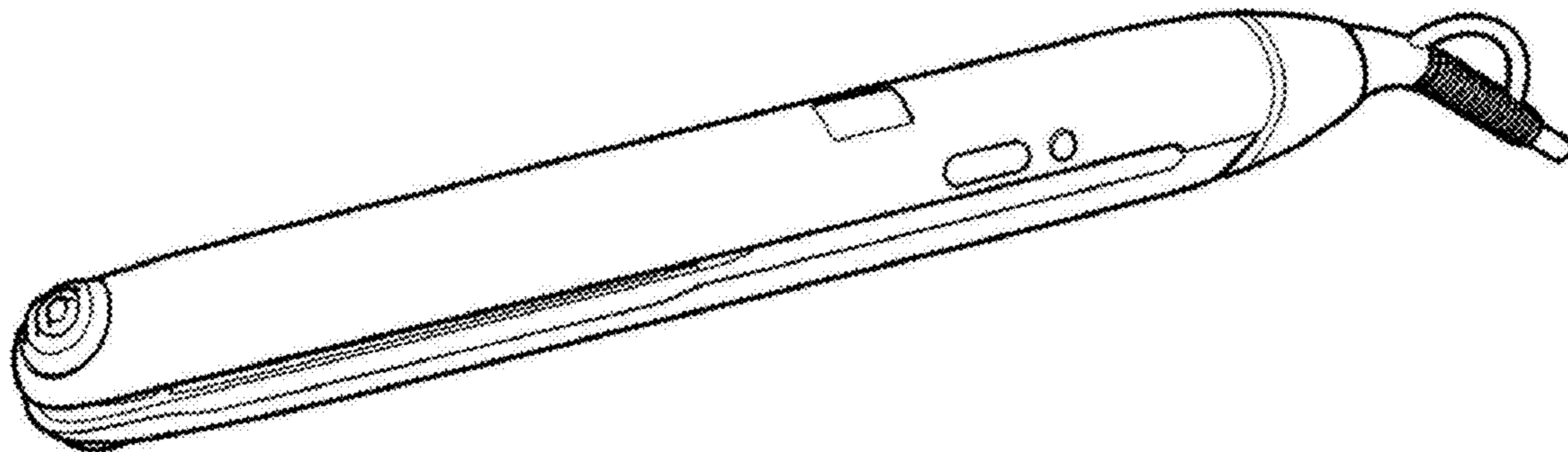
(58) **Field of Classification Search**
USPC D28/10, 35
CPC ... A45D 1/00-1/28; A45D 2/00-2/002; A45D
2/36-2/367; A45D 4/00-4/18

See application file for complete search history.

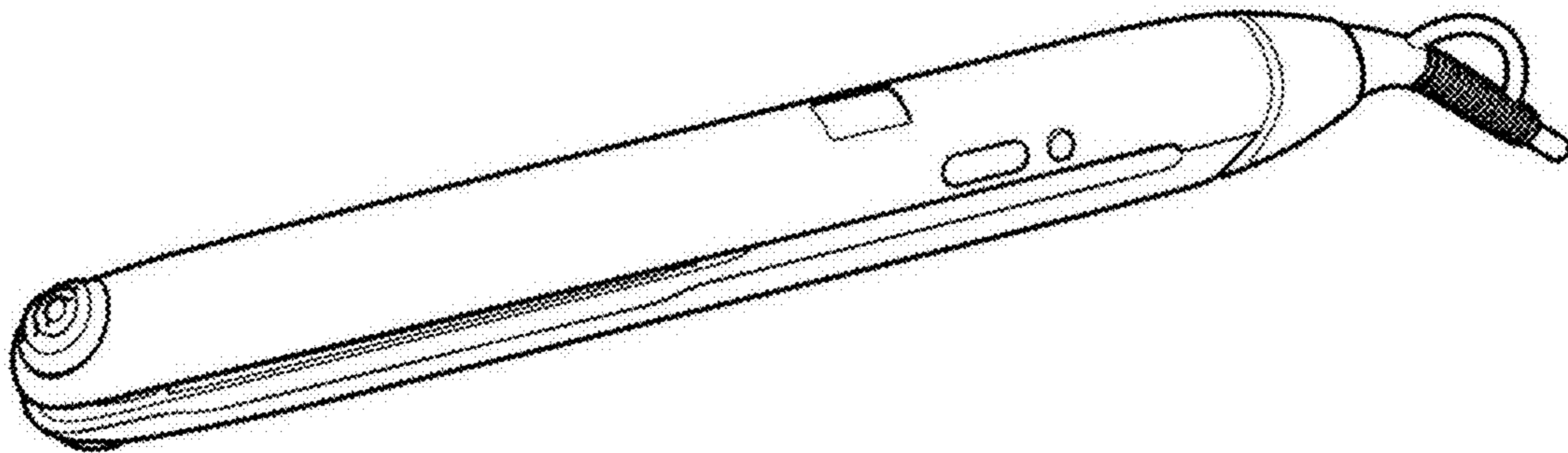
DESCRIPTION

1. Hair straightener
Fig. 1.1 is a perspective view;
Fig. 1.2 is a front elevation view;
Fig. 1.3 is a rear plan view;
Fig. 1.4 is a left side elevation view;
Fig. 1.5 is a right elevation view;
Fig. 1.6 is a top plan view;
Fig. 1.7 is bottom plan view.

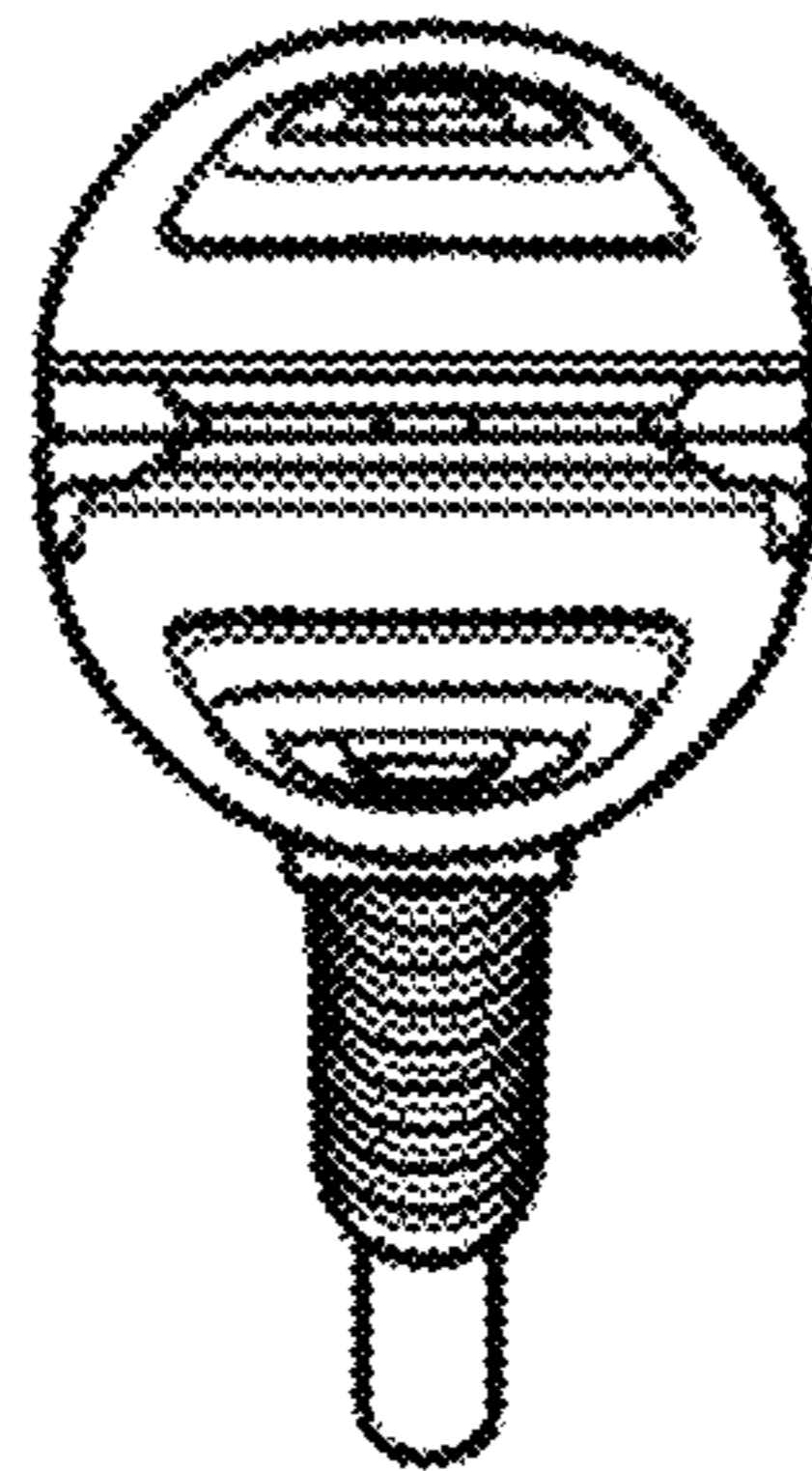
1 Claim, 7 Drawing Sheets



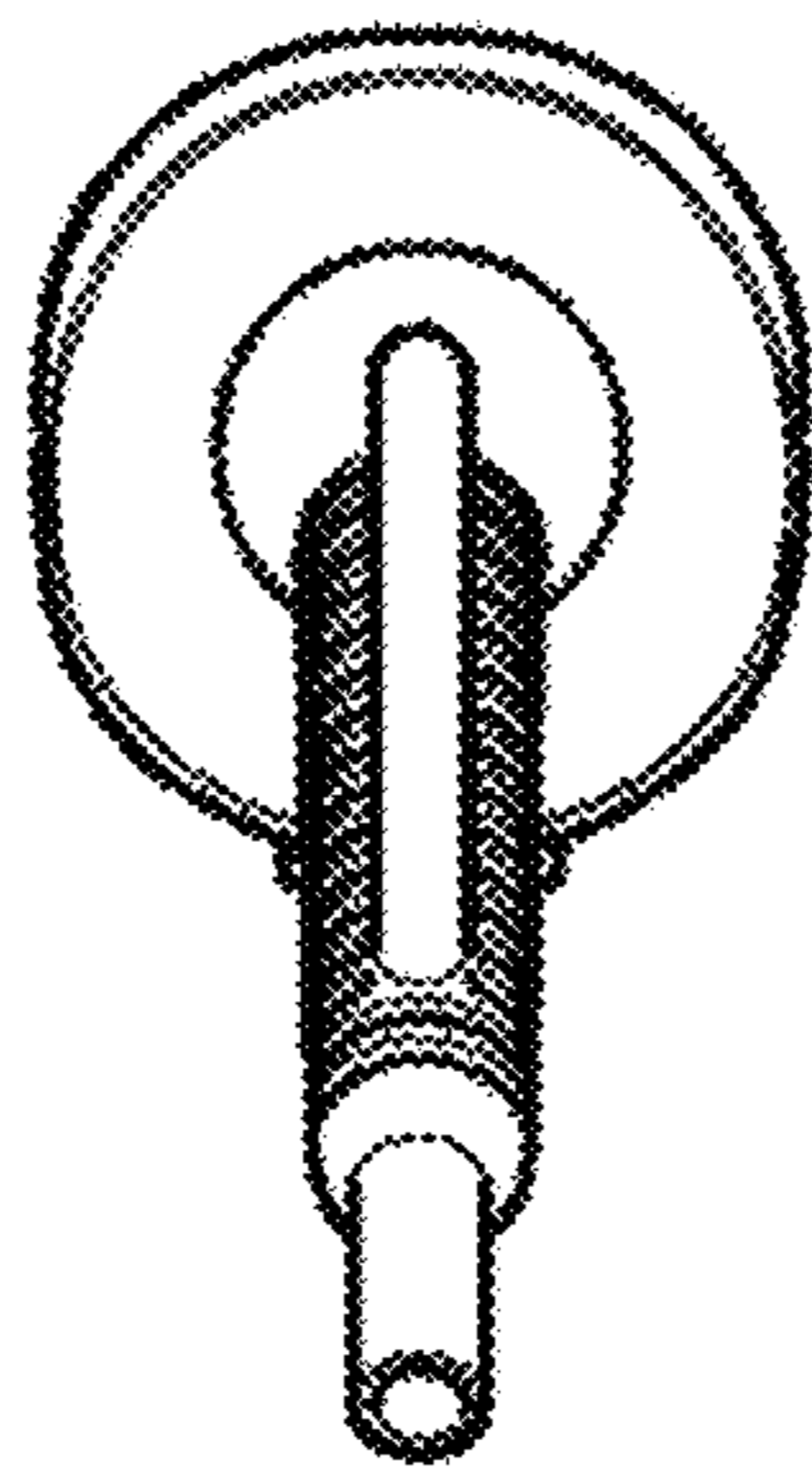
1.1



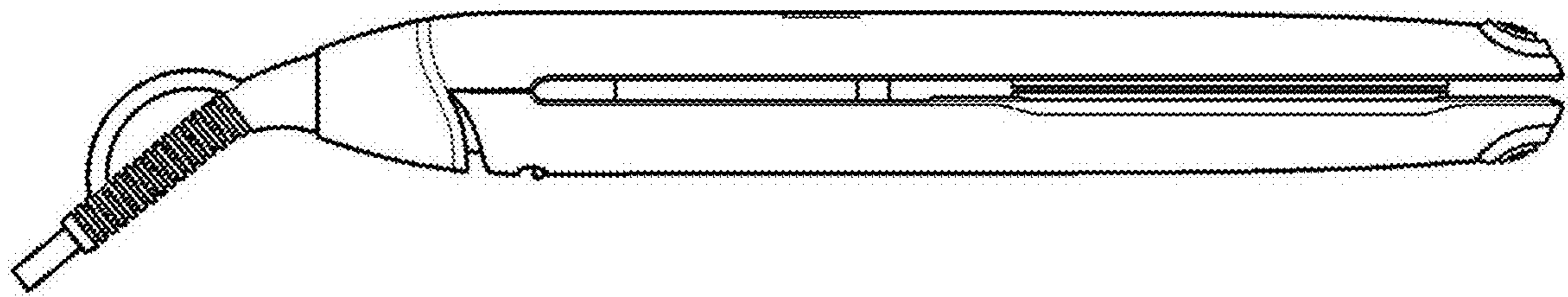
1.2



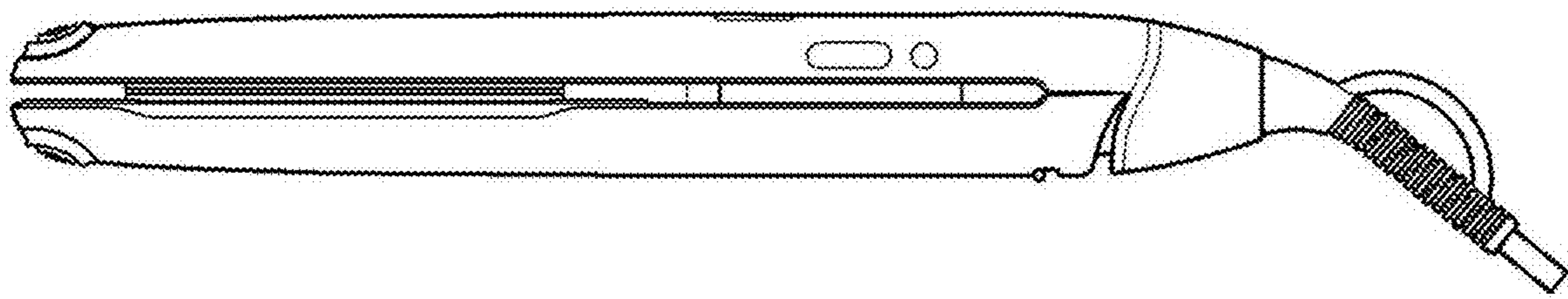
1.3



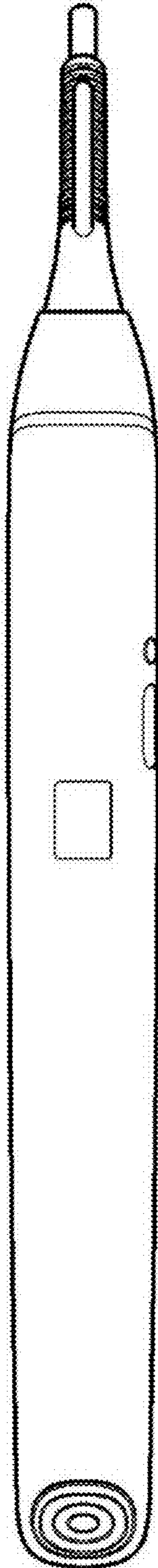
1.4



1.5



1.6



1.7

