



US00D816901S

(12) **United States Design Patent**
Di Marco

(10) **Patent No.:** **US D816,901 S**
(45) **Date of Patent:** **** May 1, 2018**

(54) **HAIRSTRAIGHTENING APPLIANCE**

(71) Applicant: **BABYLISS FACO SPRL**, Wandre (BE)

(72) Inventor: **Fabrice Di Marco**, Huy (BE)

(**) Term: **15 Years**

(21) Appl. No.: **35/502,350**

(22) Filed: **Jan. 17, 2017**

(80) **Hague Agreement Data**

Int. Filing Date: **Jan. 17, 2017**

Int. Reg. No.: **DM/094261**

Int. Reg. Date: **Jan. 17, 2017**

Int. Reg. Pub. Date: **Jan. 27, 2017**

(30) **Foreign Application Priority Data**

Jul. 18, 2016 (EM) 003309939-0003

(51) **LOC (11) Cl.** **28-03**

(52) **U.S. Cl.**
USPC **D28/35**

(58) **Field of Classification Search**

USPC D28/10, 35
CPC ... A45D 1/00-1/28; A45D 2/00-2/002; A45D
2/36-2/367; A45D 4/00-4/18

See application file for complete search history.

(56) **References Cited**

U.S. PATENT DOCUMENTS

D650,129 S * 12/2011 Hein D28/35
D650,130 S * 12/2011 Hein D28/35

D651,741 S * 1/2012 Kim D28/35
D651,743 S * 1/2012 Kim D28/35
D672,087 S * 12/2012 Julemont D28/35
D672,088 S * 12/2012 Julemont D28/35
D672,089 S * 12/2012 Julemont D28/35
D674,541 S * 1/2013 Kim D28/35
D682,467 S * 5/2013 Kim D28/35
D726,964 S * 4/2015 Smith D28/35
D729,450 S * 5/2015 Van Maanen D28/35
D780,374 S * 2/2017 Yu D28/35
D804,725 S * 12/2017 Yue D28/35

* cited by examiner

Primary Examiner — Zenia Bennett

(74) *Attorney, Agent, or Firm* — Ladas & Parry LLP

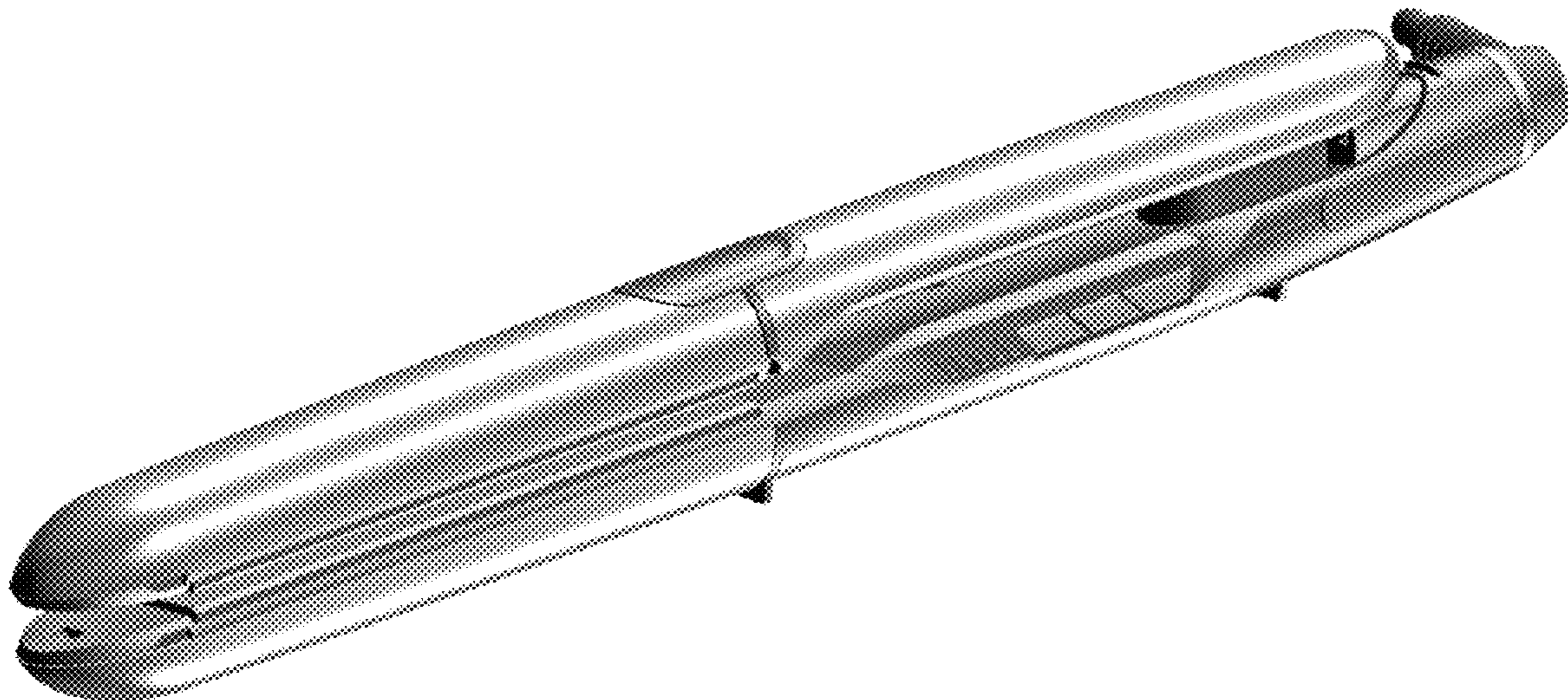
(57) **CLAIM**

The ornamental design of a hair-straightening appliance, as shown and described.

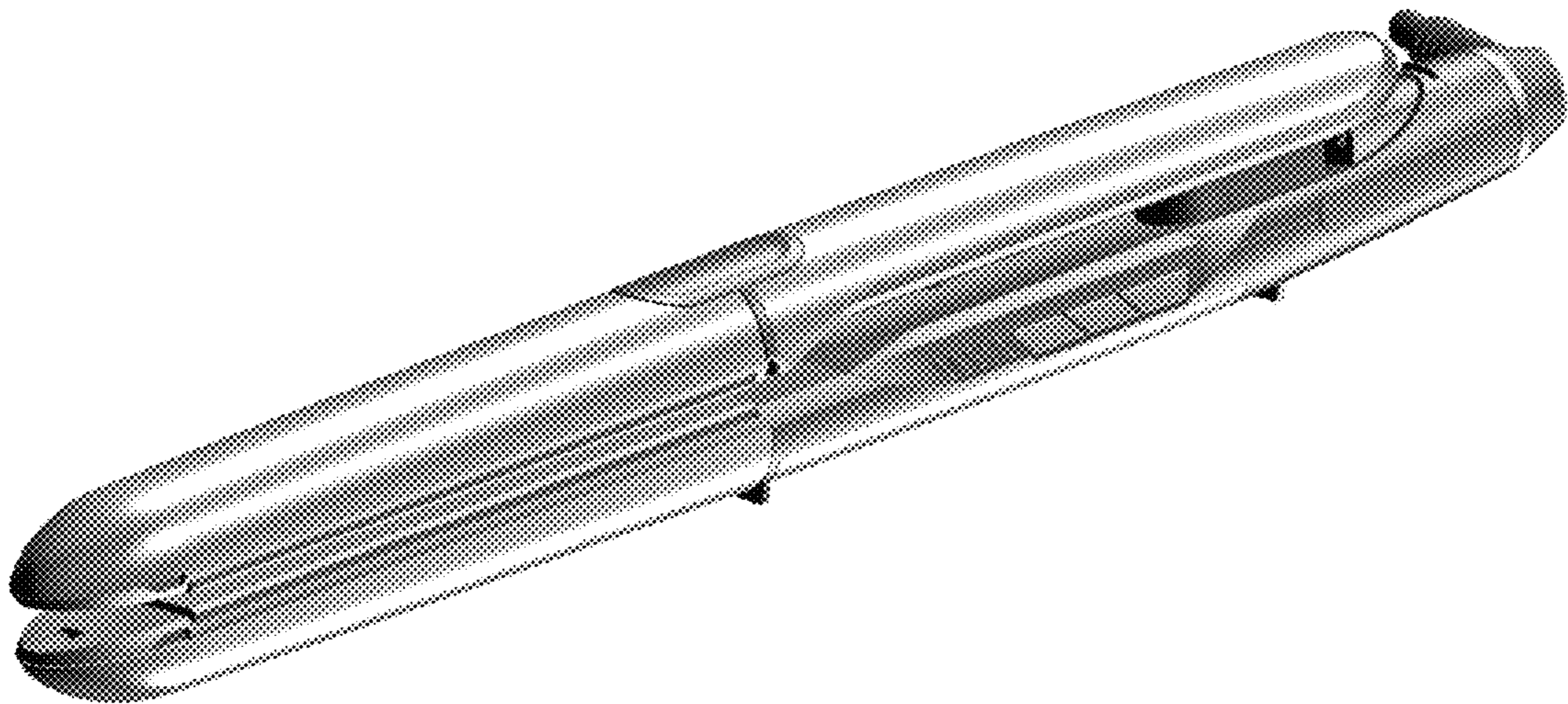
DESCRIPTION

1. Hair-straightening appliance
Fig. 1.1 is a perspective view;
Fig. 1.2 is a top plan;
Fig. 1.3 is a front elevation view;
Fig. 1.4 is a left side elevation view;
Fig. 1.5 is a right elevation view;
Fig. 1.6 is a bottom plan view;
Fig. 1.7 is another perspective view.

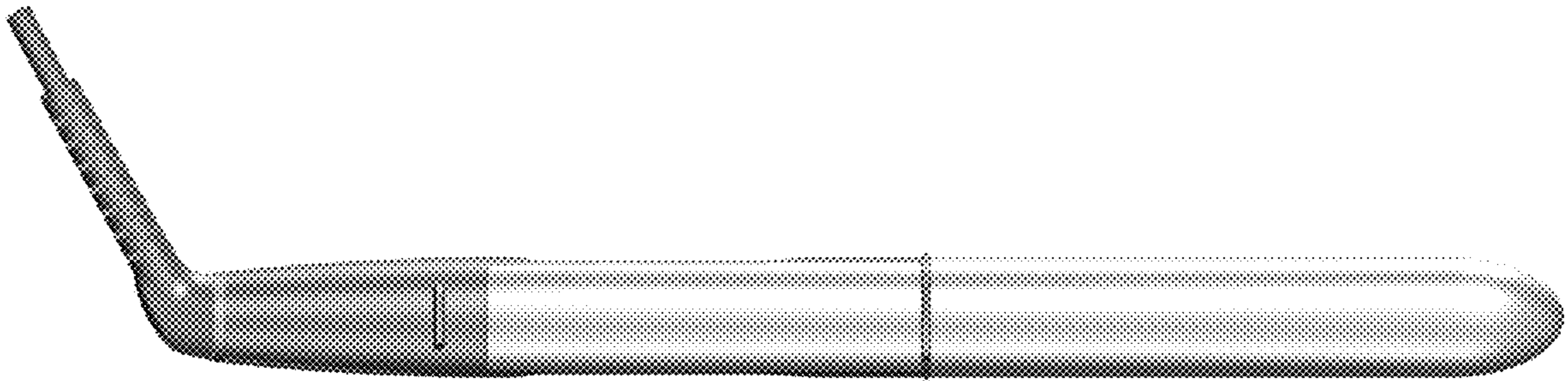
1 Claim, 7 Drawing Sheets



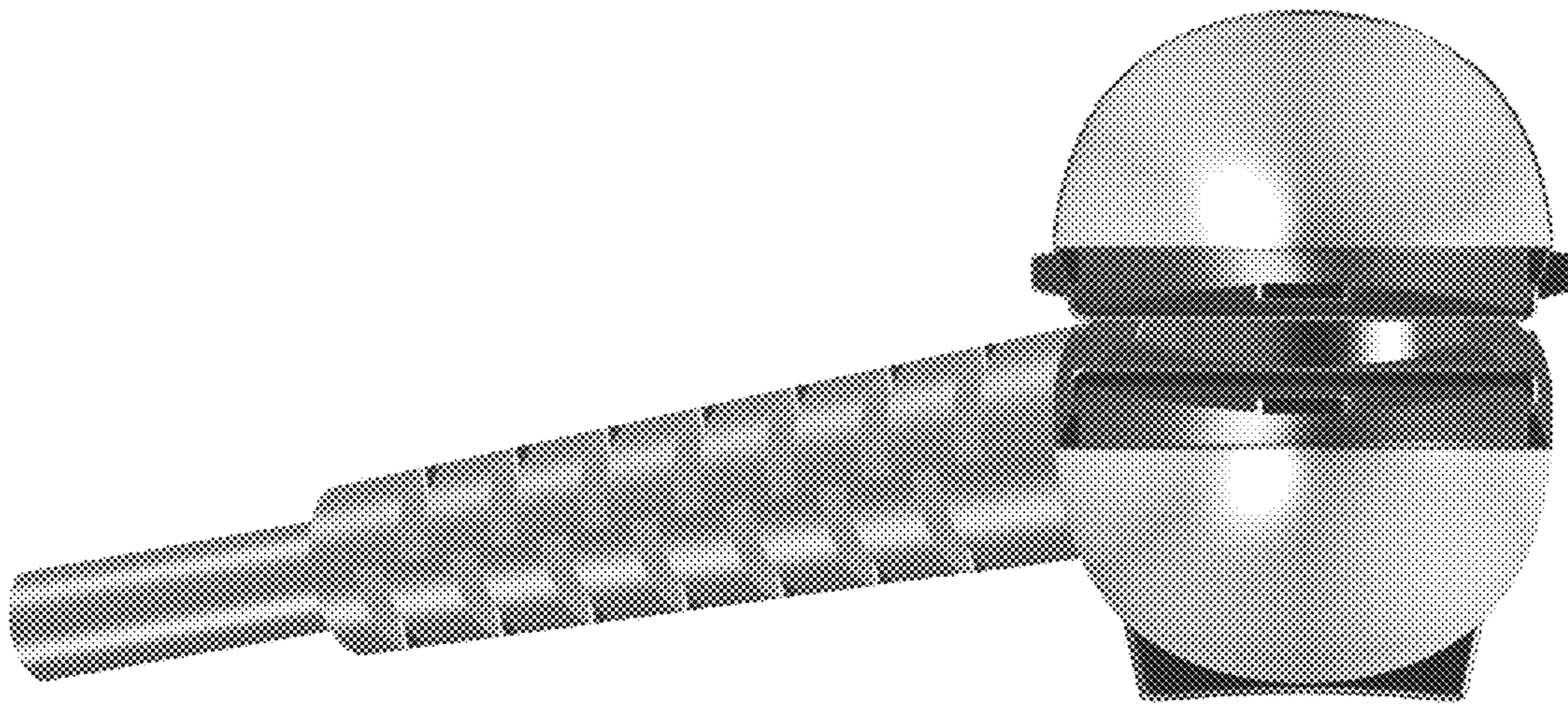
1.1



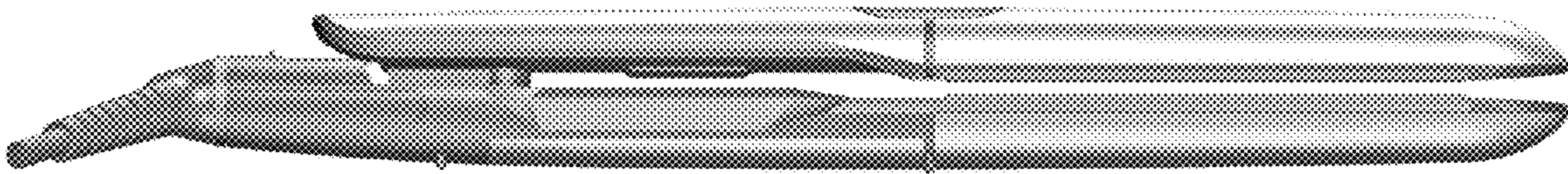
1.2



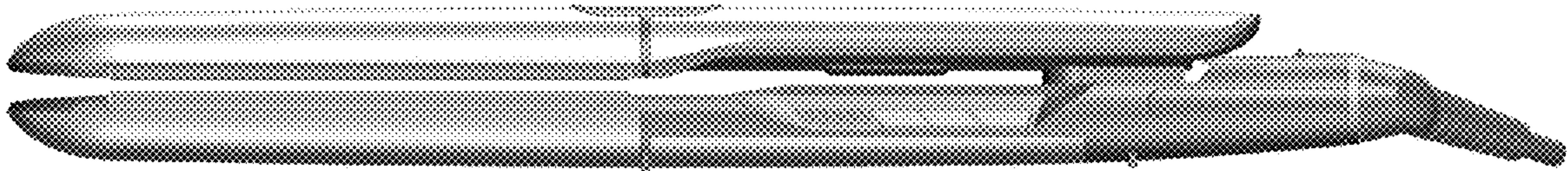
1.3



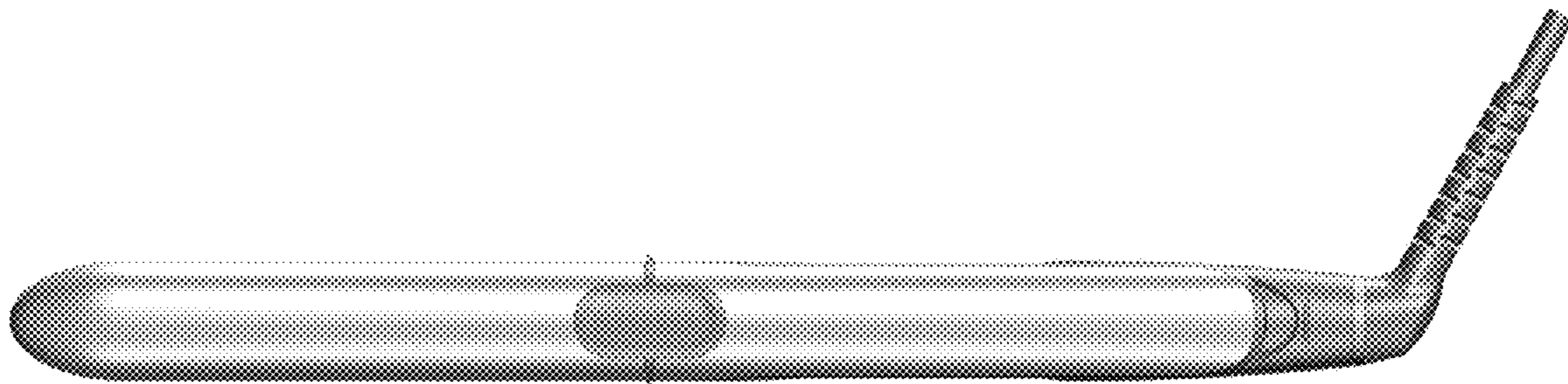
1.4



1.5



1.6



1.7

