



US00D816900S

(12) **United States Design Patent**  
**Di Marco**

(10) **Patent No.:** **US D816,900 S**

(45) **Date of Patent:** **\*\* May 1, 2018**

(54) **HAIR-STRAIGHTENING APPLIANCE**

(71) Applicant: **BABYLISS FACO SPRL**, Wandre (BE)

(72) Inventor: **Fabrice Di Marco**, Huy (BE)

(\*\*) Term: **15 Years**

(21) Appl. No.: **35/502,347**

(22) Filed: **Jan. 17, 2017**

(80) **Hague Agreement Data**

Int. Filing Date: **Jan. 17, 2017**

Int. Reg. No.: **DM/094258**

Int. Reg. Date: **Jan. 17, 2017**

Int. Reg. Pub. Date: **Jan. 27, 2017**

(30) **Foreign Application Priority Data**

Jul. 18, 2016 (EM) ..... 003309939-0002

(51) **LOC (11) Cl.** ..... **28-03**

(52) **U.S. Cl.**  
USPC ..... **D28/35**

(58) **Field of Classification Search**

USPC ..... D28/10, 35  
CPC ... A45D 1/00-1/28; A45D 2/00-2/002; A45D  
2/36-2/367; A45D 4/00-4/18

See application file for complete search history.

(56) **References Cited**

**U.S. PATENT DOCUMENTS**

D650,129 S \* 12/2011 Hein ..... D28/35

D650,130 S \* 12/2011 Hein ..... D28/35

D651,741 S \* 1/2012 Kim ..... D28/35  
D651,743 S \* 1/2012 Kim ..... D28/35  
D672,087 S \* 12/2012 Julemont ..... D28/35  
D672,088 S \* 12/2012 Julemont ..... D28/35  
D672,089 S \* 12/2012 Julemont ..... D28/35  
D674,541 S \* 1/2013 Kim ..... D28/35  
D682,467 S \* 5/2013 Kim ..... D28/35  
D726,964 S \* 4/2015 Smith ..... D28/35  
D729,450 S \* 5/2015 Van Maanen ..... D28/35  
D780,374 S \* 2/2017 Yu ..... D28/35  
D804,725 S \* 12/2017 Yue ..... D28/35

\* cited by examiner

*Primary Examiner* — Zenia Bennett

(74) *Attorney, Agent, or Firm* — Ladas & Parry LLP

(57) **CLAIM**

The ornamental design of a hair-straightening appliance, as shown and described.

**DESCRIPTION**

1. Hair-straightening appliance

Fig. 1.1 is a perspective view;

Fig. 1.2 is a top plan;

Fig. 1.3 is a front elevation view;

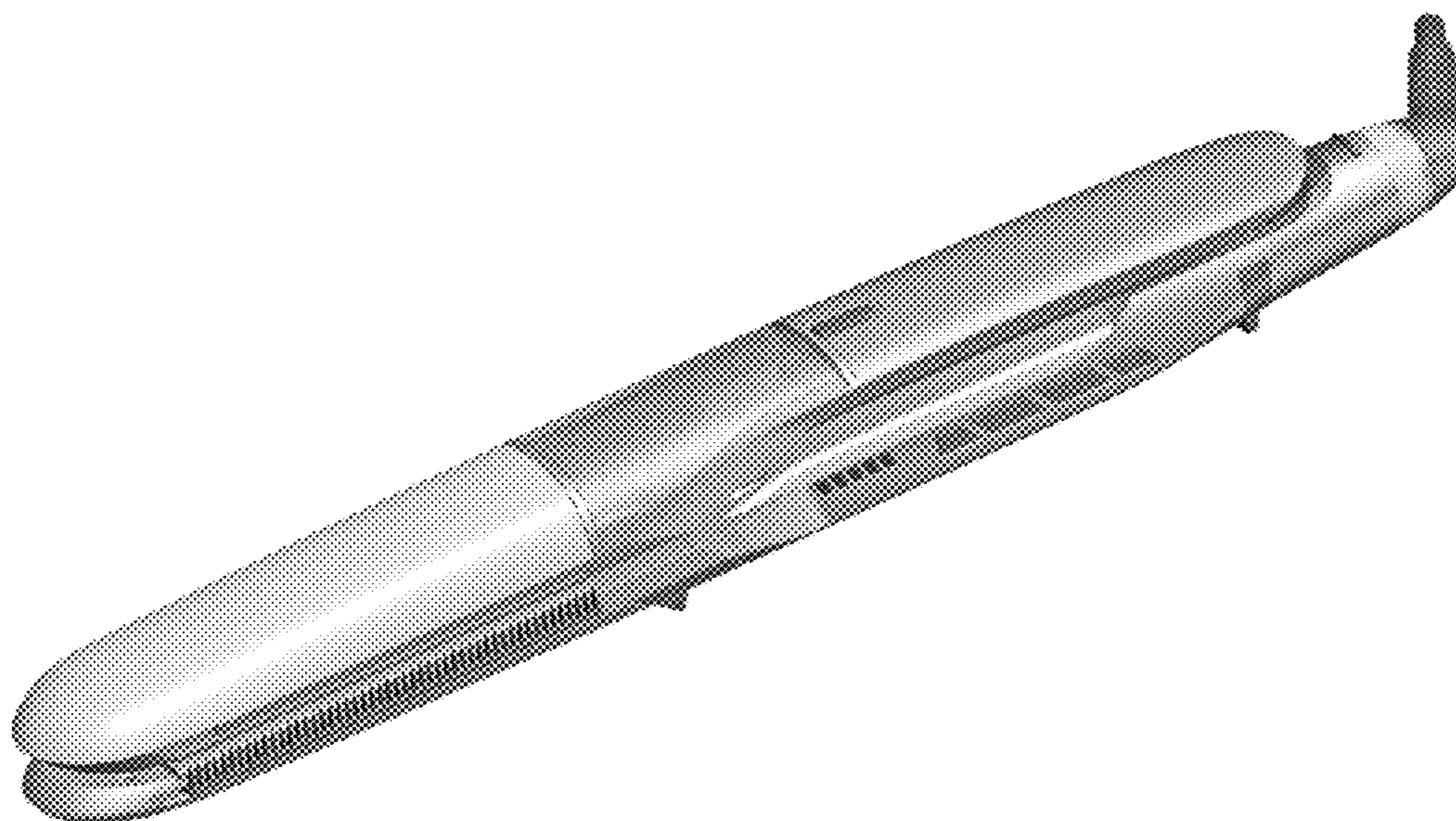
Fig. 1.4 is a left side elevation view;

Fig. 1.5 is a right elevation view;

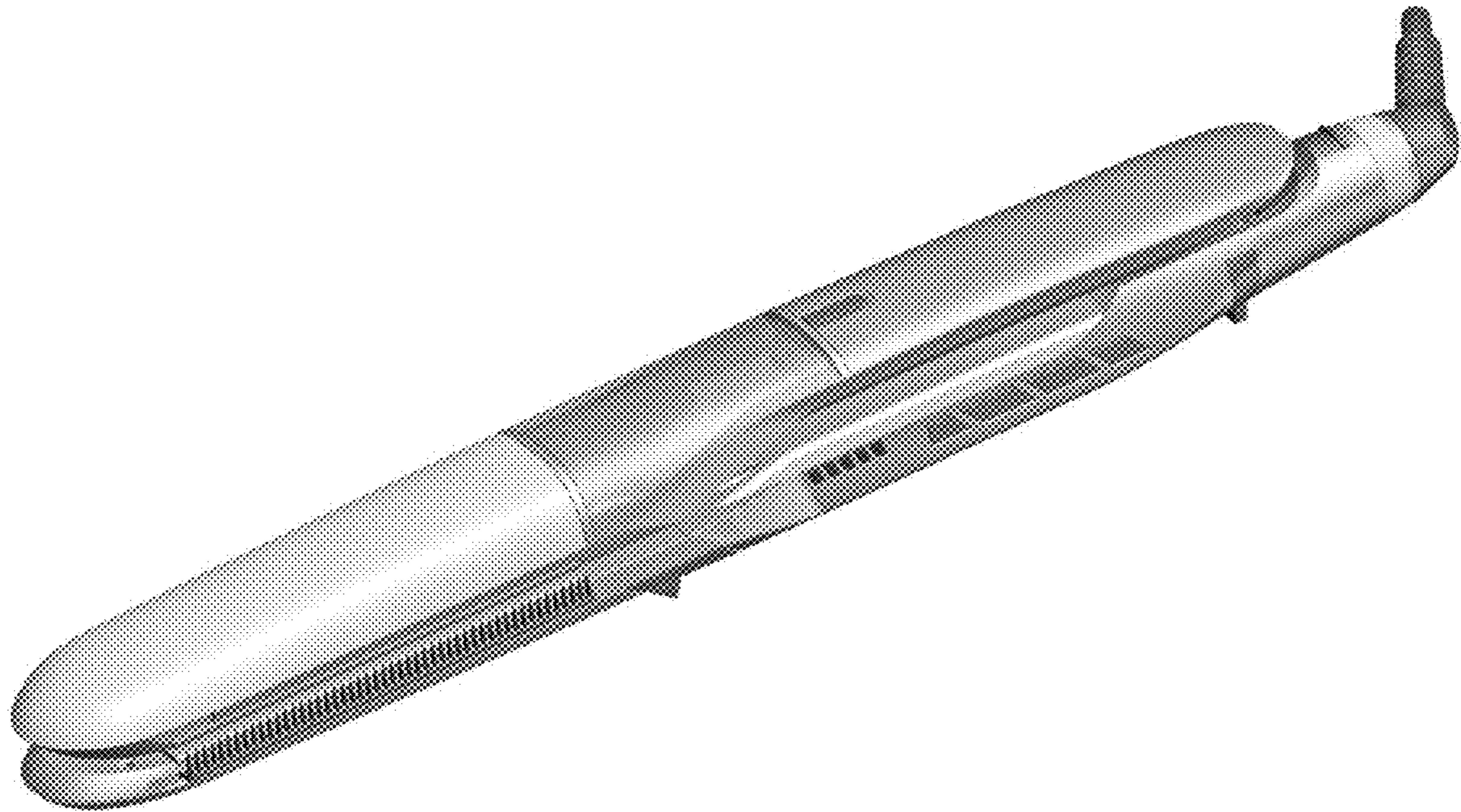
Fig. 1.6 is a bottom plan view;

Fig. 1.7 is another perspective view.

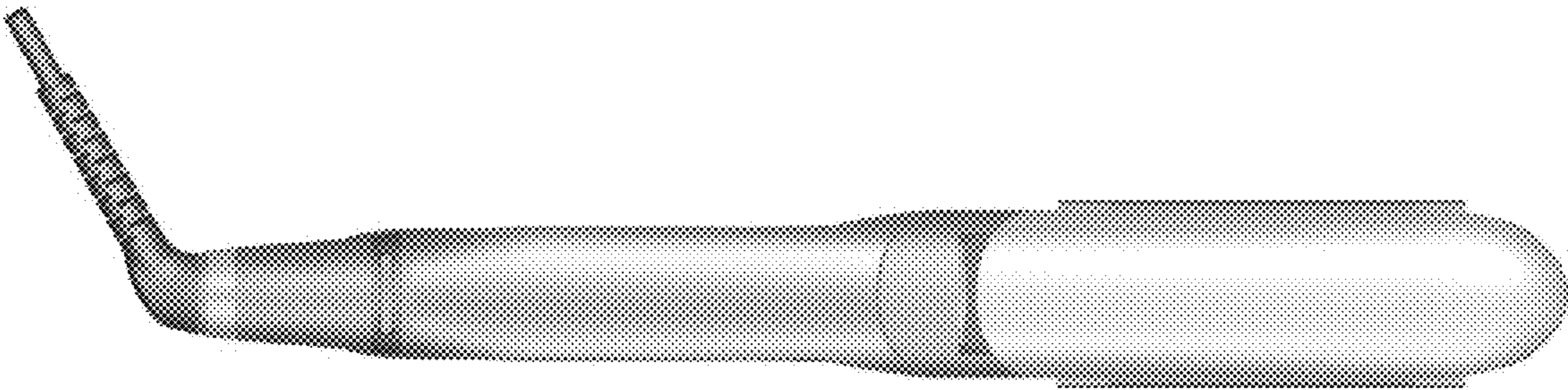
**1 Claim, 7 Drawing Sheets**



1.1

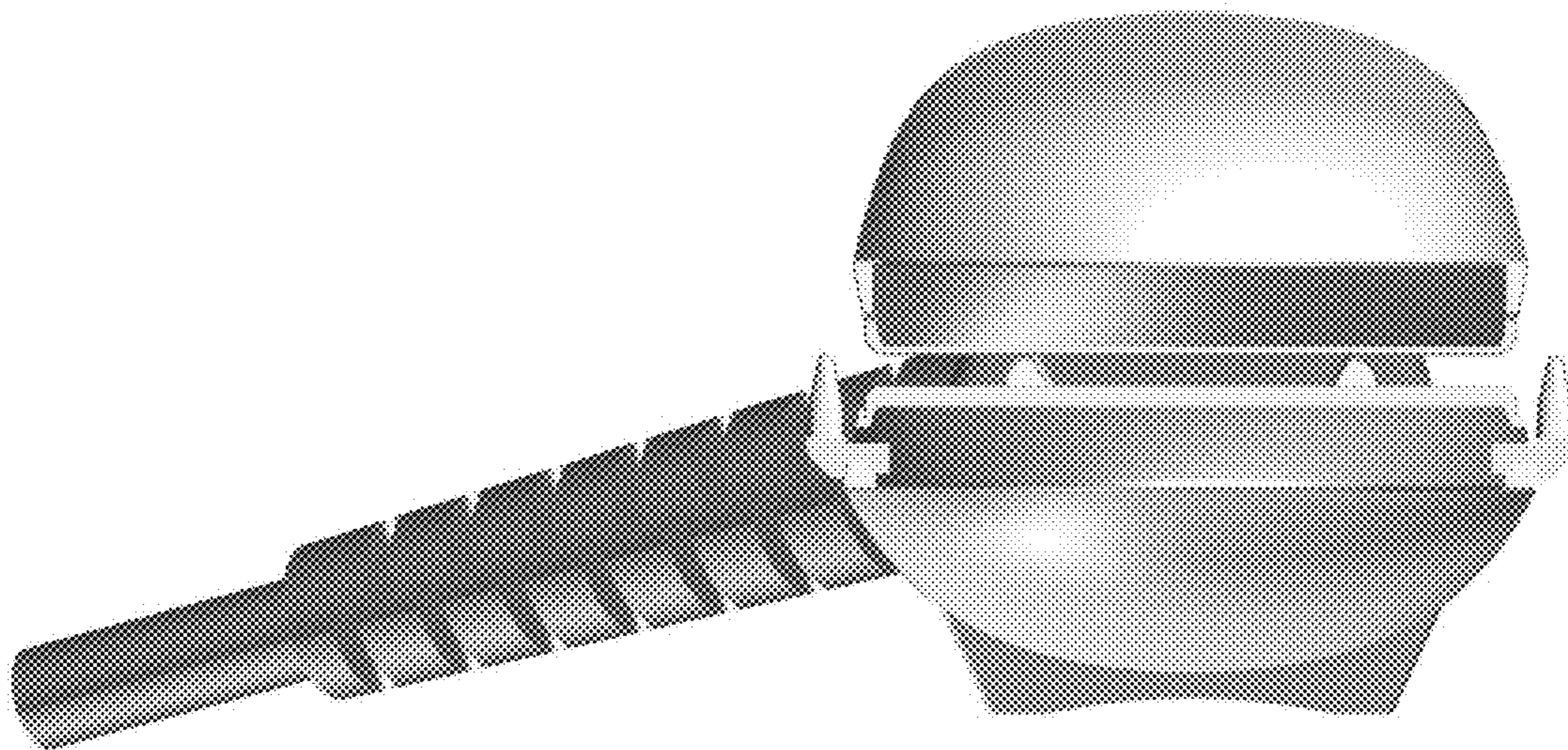


1.2

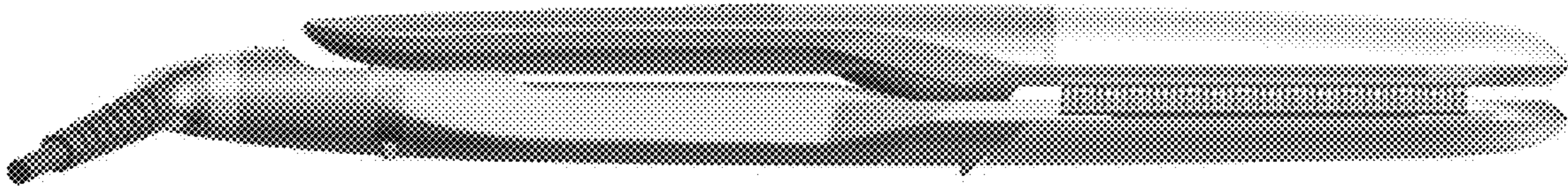




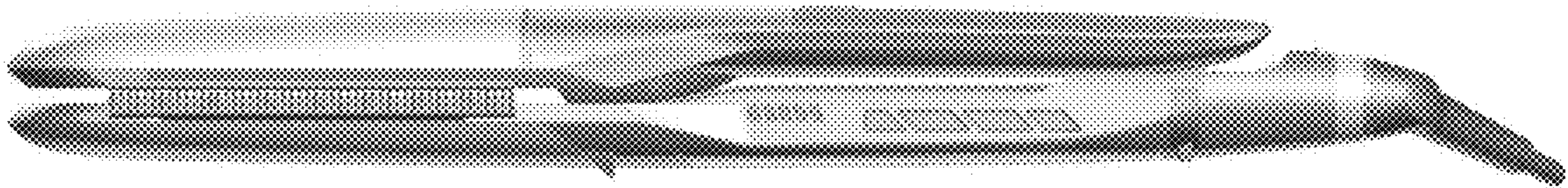
1.3



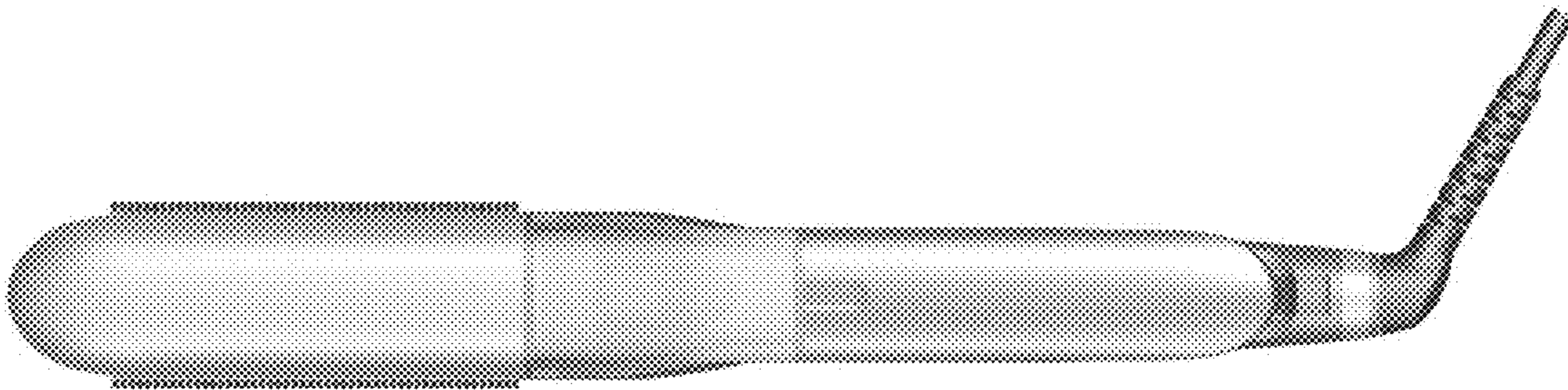
1.4



1.5



1.6



1.7

