



US00D816897S

(12) **United States Design Patent** (10) **Patent No.:** **US D816,897 S**
Corsi et al. (45) **Date of Patent:** **** May 1, 2018**

(54) **APPARATUS FOR APPLYING COSMETICS**

(71) Applicants: **Steve Corsi**, Los Angeles, CA (US);
Jacky Gunter, Westlake Village, CA
(US); **Angela Munoz**, Burbank, CA
(US); **Kristen O’Connell**, Woodland
Hills, CA (US)

(72) Inventors: **Steve Corsi**, Los Angeles, CA (US);
Jacky Gunter, Westlake Village, CA
(US); **Angela Munoz**, Burbank, CA
(US); **Kristen O’Connell**, Woodland
Hills, CA (US)

(73) Assignee: **THE ROBERTS CONTAINER
CORP.**, Chatsworth, CA (US)

(**) Term: **15 Years**

(21) Appl. No.: **29/577,204**

(22) Filed: **Sep. 9, 2016**

(51) **LOC (11) Cl.** **28-02**

(52) **U.S. Cl.**
USPC **D28/7**

(58) **Field of Classification Search**
USPC D28/7, 8, 73, 82, 83, 85; D24/105, 108,
D24/112, 118, 137; D9/723, 724;
15/105, 105.52, 105.53, 110, 111, 167.1;
132/317
CPC A45D 2200/10; A45D 2200/1009; A45D
2200/1036; A45D 2200/1063; A45D
40/262; A61M 35/00; A61M 35/003
See application file for complete search history.

(56) **References Cited**

U.S. PATENT DOCUMENTS

4,662,385 A * 5/1987 Schefer A45D 34/04
132/218
D436,449 S * 1/2001 Baltierra D28/57
6,352,545 B1 * 3/2002 Wagner A61B 17/244
15/111

D544,644 S * 6/2007 Hartstock D28/7
D555,831 S * 11/2007 Chan D28/7
D591,904 S * 5/2009 Mongeon D28/7
D693,059 S * 11/2013 Tani D28/7
9,055,804 B2 * 6/2015 Ornoski A45D 40/265
D742,589 S * 11/2015 Rizzo D28/7
D746,513 S * 12/2015 Monical D28/7
D756,127 S * 5/2016 Nicoline D28/7

(Continued)

Primary Examiner — Susan Bennett Hattan
Assistant Examiner — Rebecca Tsehaye
(74) *Attorney, Agent, or Firm* — Law Office of David
Hong

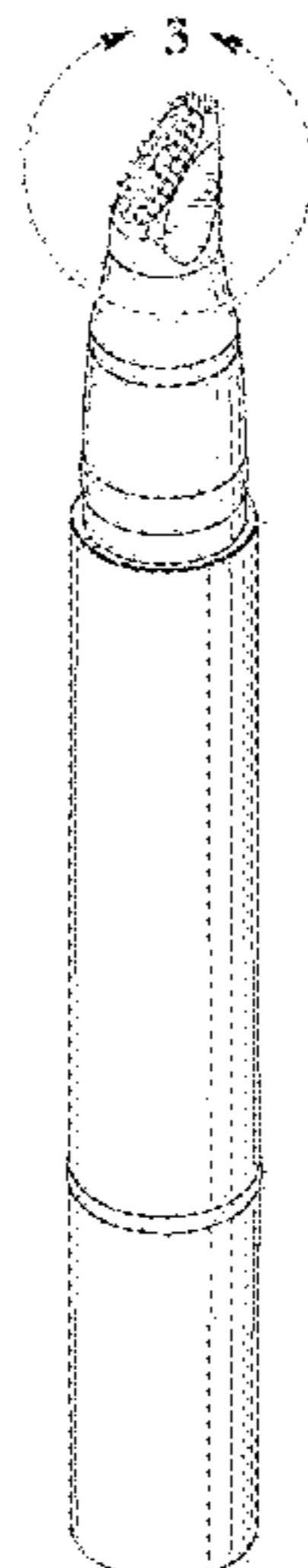
(57) **CLAIM**

The ornamental design for an apparatus for applying cos-
metics, as shown and described.

DESCRIPTION

FIG. 1 is a front perspective view of an apparatus for
applying cosmetics;
FIG. 2 is a first side view of the apparatus of FIG. 1;
FIG. 3 is a close up view along sight lines as shown in FIG.
1;
FIG. 4 is a close up view along sight lines as shown in FIG.
2;
FIG. 5 is a second side view of the apparatus of FIG. 1;
FIG. 6 is a third side view of the apparatus of FIG. 1;
FIG. 7 is a close up view along sight lines as shown in FIG.
5;
FIG. 8 is a close up view along sight lines as shown in FIG.
6;
FIG. 9 is a fourth side view of the apparatus of FIG. 1;
FIG. 10 is a close up view along sight lines as shown in FIG.
9;
FIG. 11 is a top view of the apparatus in FIG. 1; and,
FIG. 12 is a bottom view of the apparatus in FIG. 1.
The broken lines represent portions of the structure that form
no part of the claim.

1 Claim, 3 Drawing Sheets



(56)

References Cited

U.S. PATENT DOCUMENTS

D773,730 S *	12/2016	Rizzo	D28/7
D778,495 S *	2/2017	Ooba	D28/7
D778,496 S *	2/2017	Ooba	D28/7
D782,730 S *	3/2017	Zhang	D28/7
2003/0231924 A1 *	12/2003	Libman	B65D 47/42 401/266

* cited by examiner

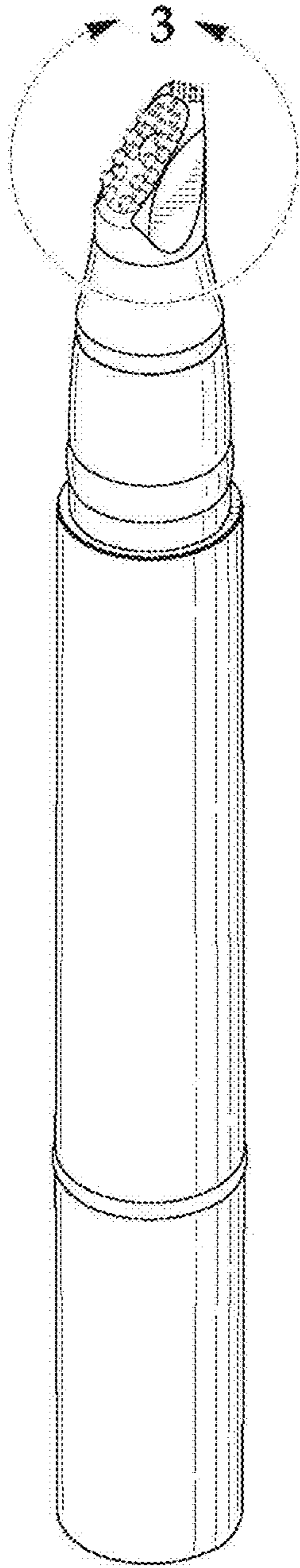


FIG. 1

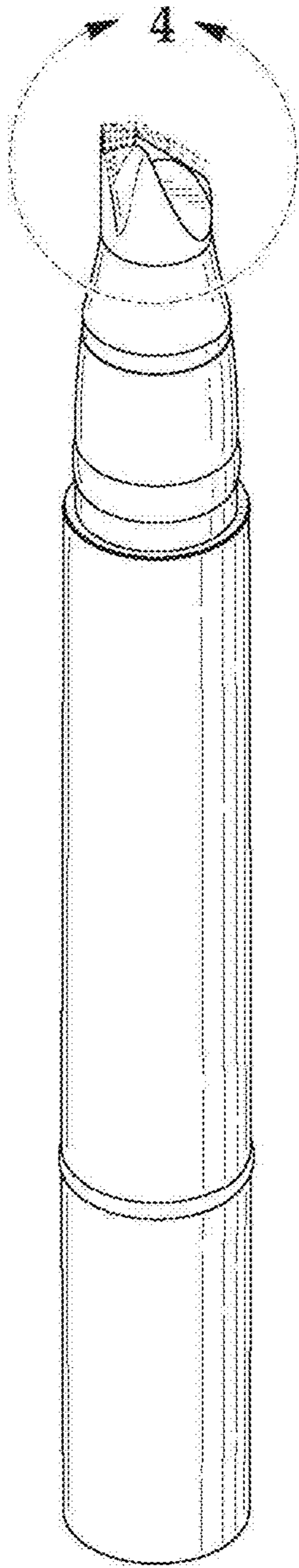


FIG. 2

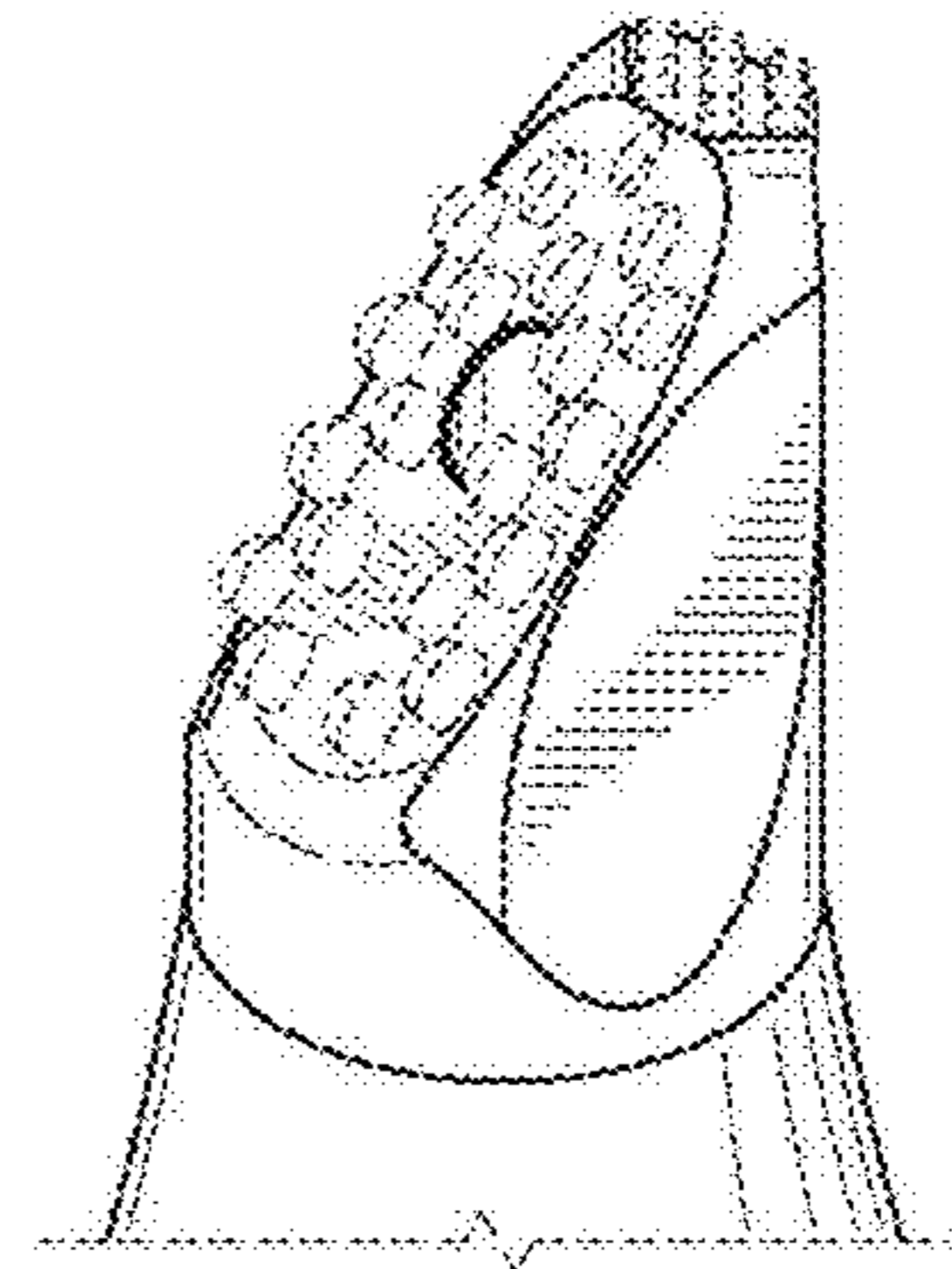


FIG. 3

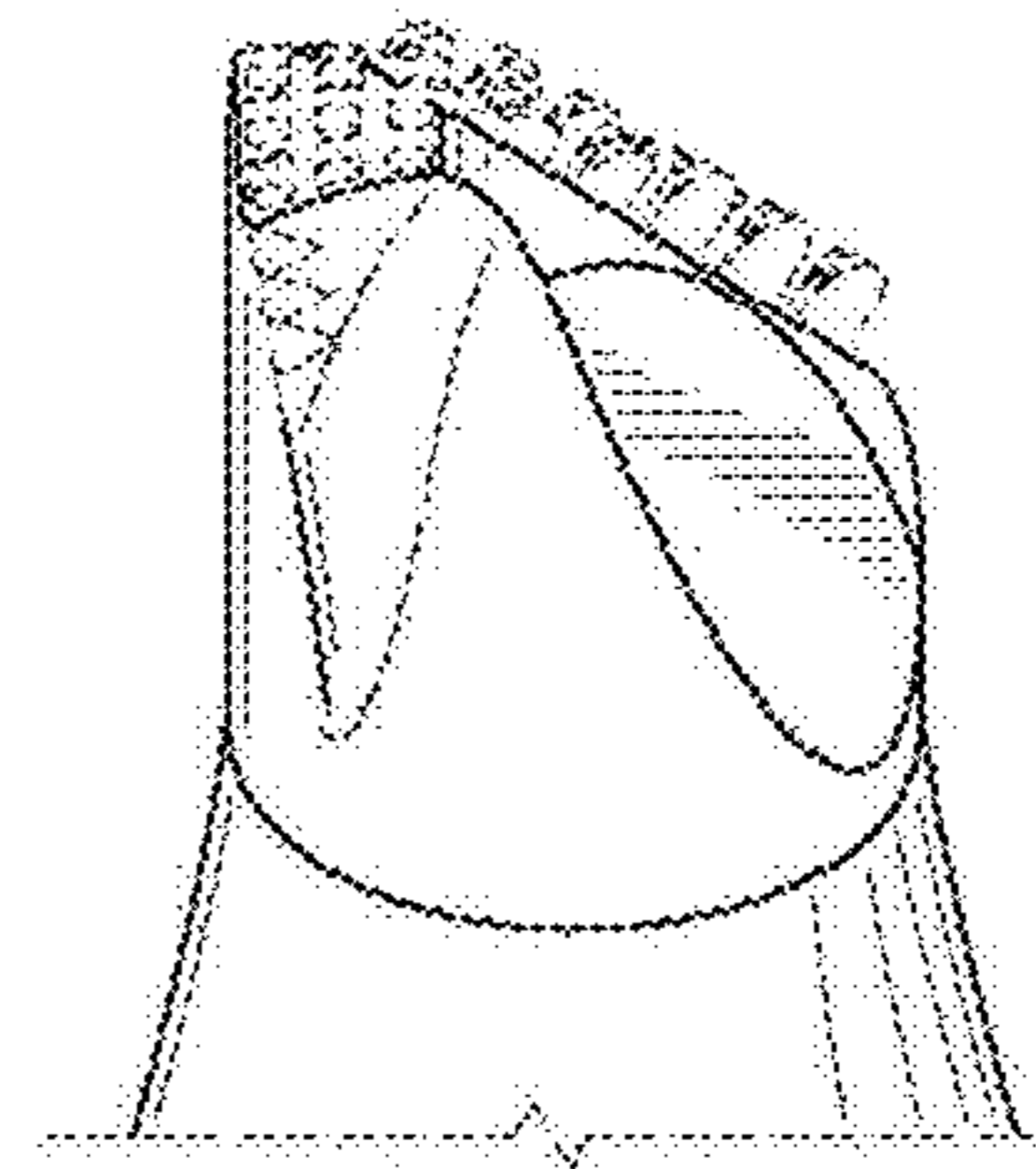


FIG. 4

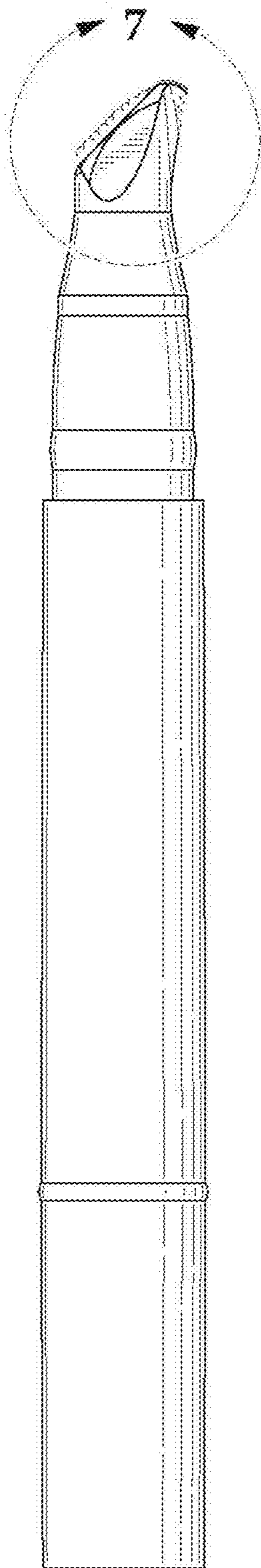


FIG. 5

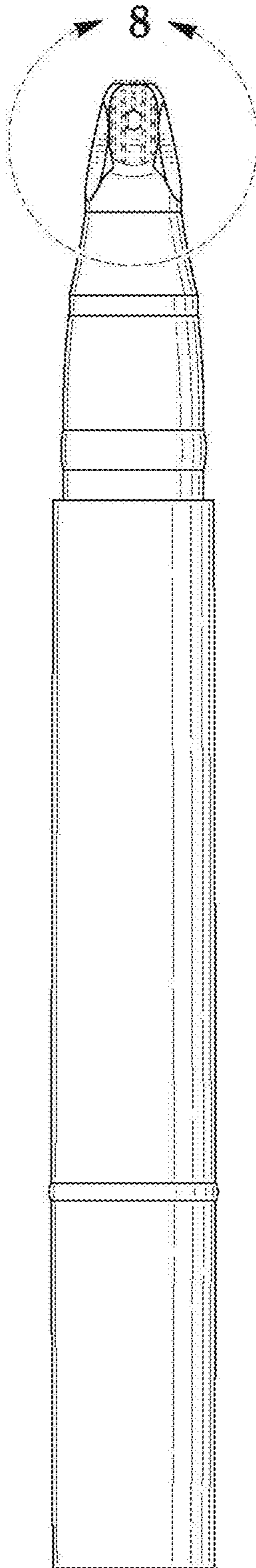


FIG. 6

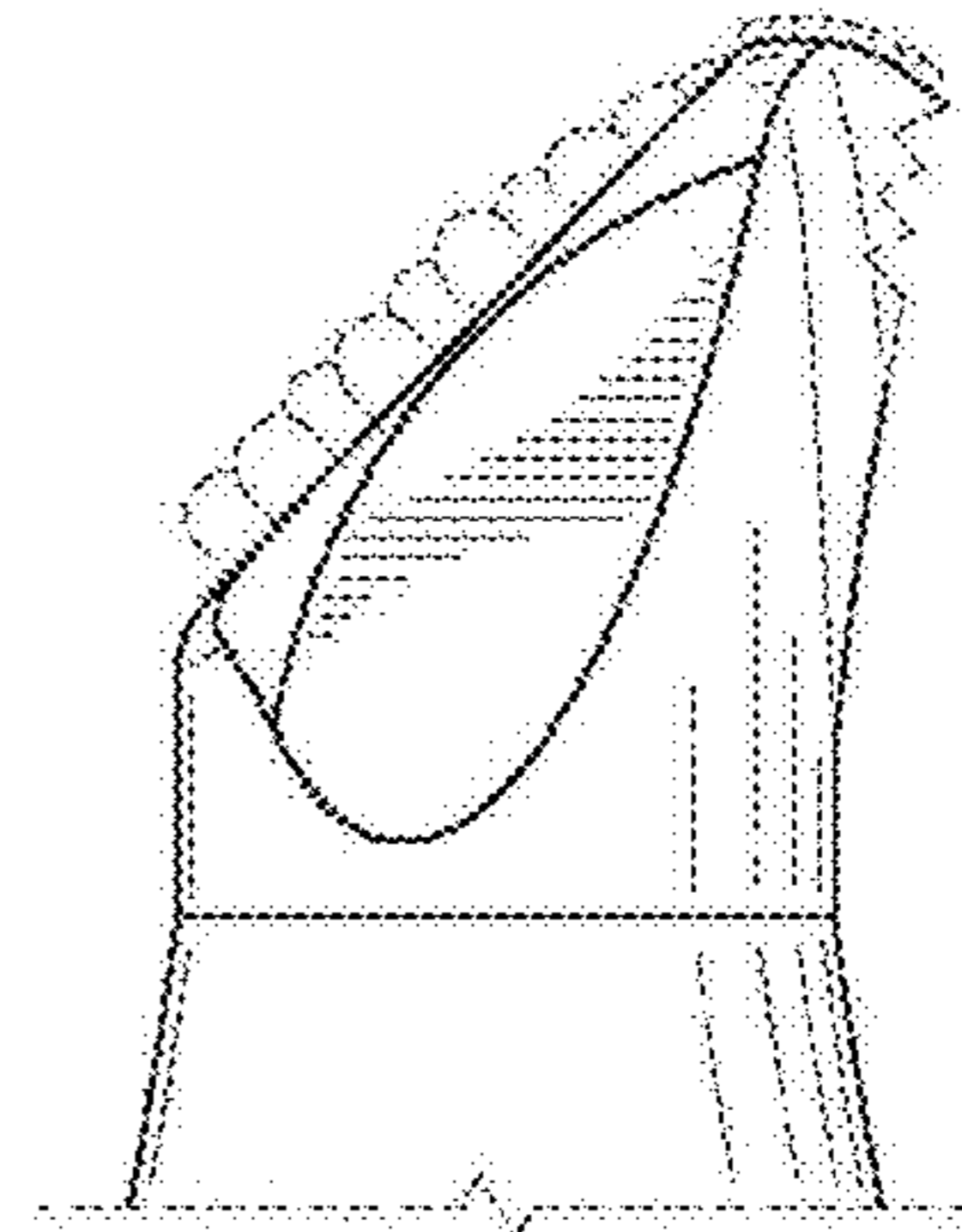


FIG. 7

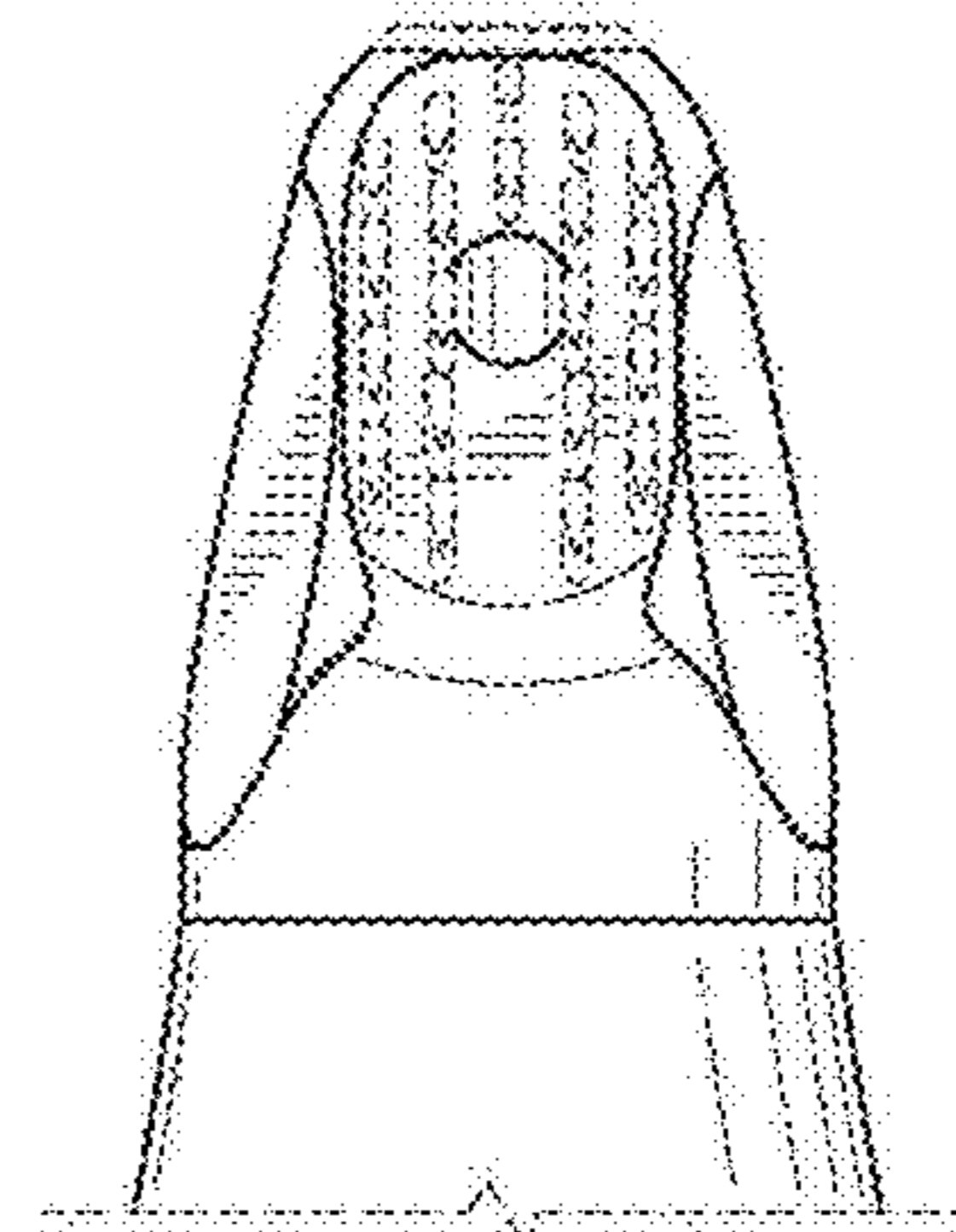


FIG. 8

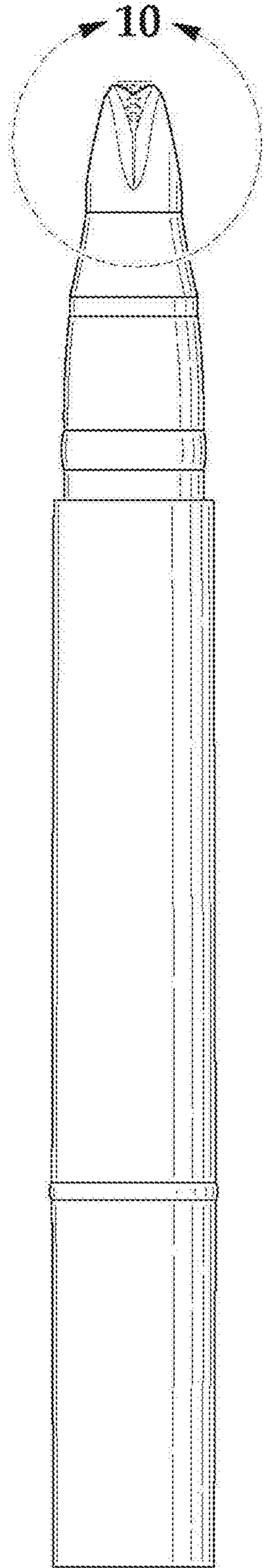


FIG. 9

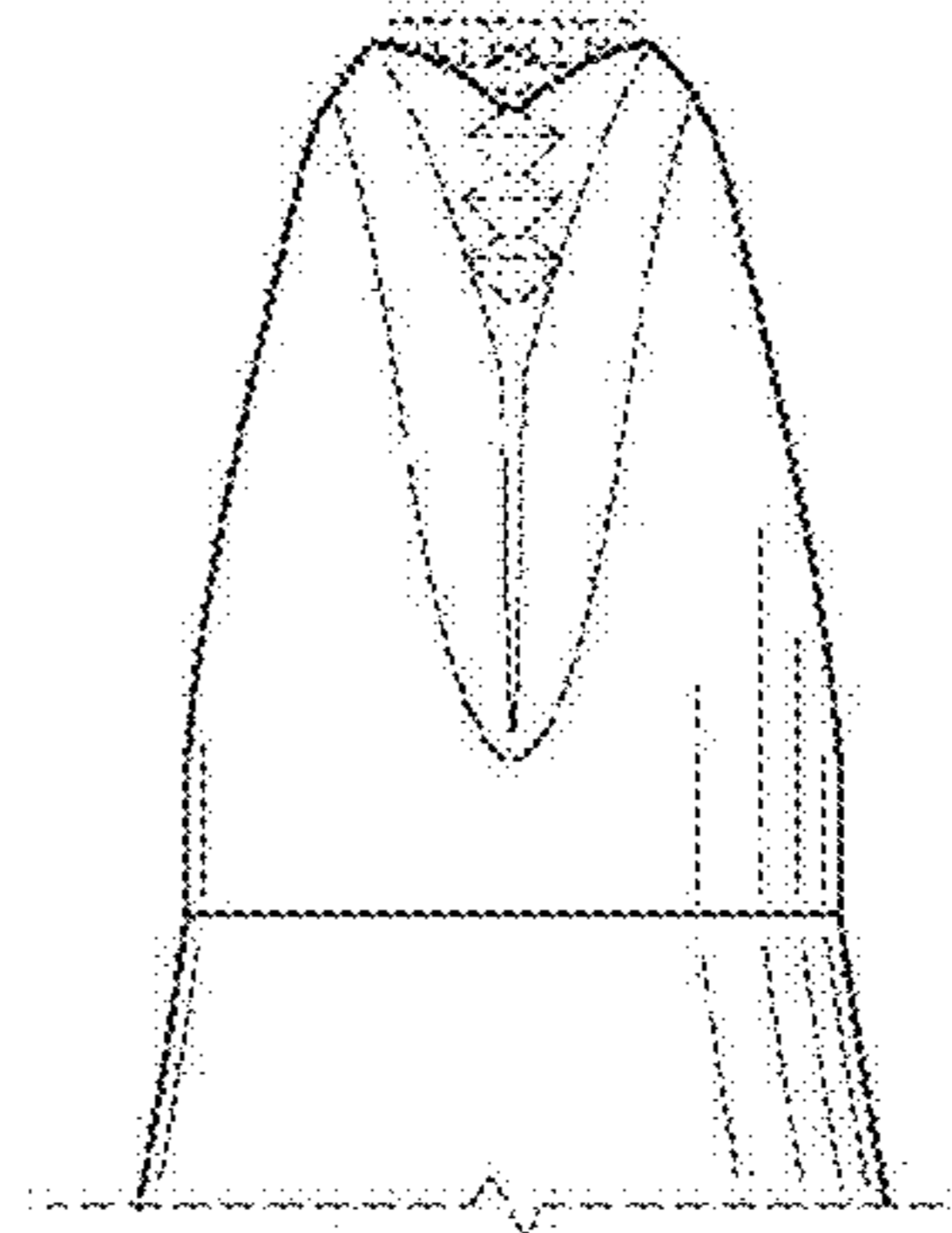


FIG. 10

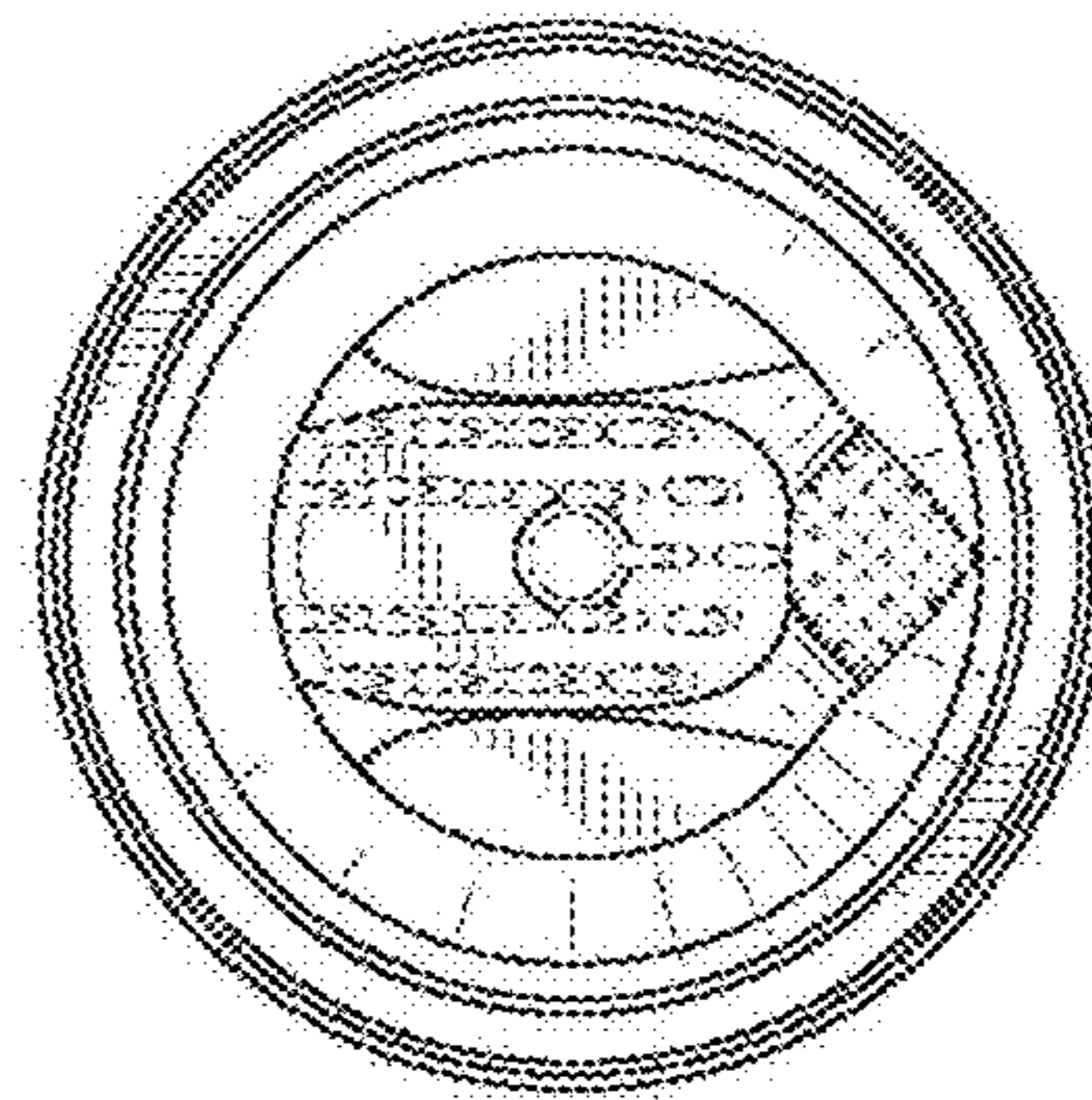


FIG. 11

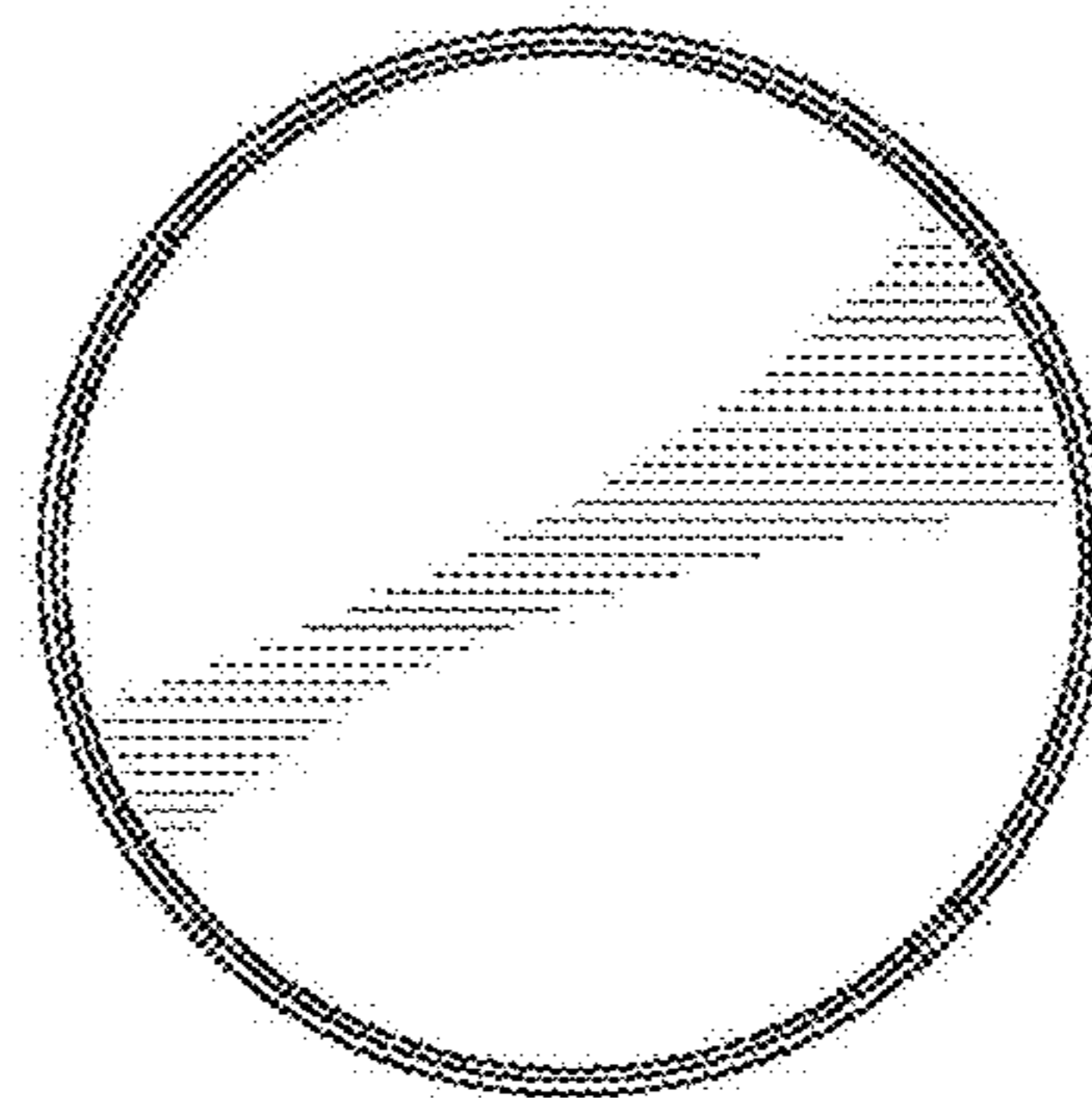


FIG. 12