



US00D816896S

(12) **United States Design Patent**
Canamaque et al.

(10) **Patent No.:** **US D816,896 S**
(45) **Date of Patent:** **** May 1, 2018**

(54) **APPLICATOR BRUSH**

(71) Applicant: **L'Oreal**, Paris (FR)

(72) Inventors: **Carolina Canamaque**, Old Greenwich, CT (US); **Jesus Estevez**, Ozone Park, NY (US)

(73) Assignee: **L'Oreal**, Paris (FR)

(**) Term: **15 Years**

(21) Appl. No.: **29/565,802**

(22) Filed: **May 24, 2016**

(51) **LOC (11) Cl.** **28-02**

(52) **U.S. Cl.**
USPC **D28/7**

(58) **Field of Classification Search**

USPC D4/104, 114, 125, 132, 133, 136;
D28/10, 13, 15, 18, 21–22, 27–33, 35,
D28/39–43, 25, 7, 52, 54; D1/107, 111,
D1/199; D30/158–159, 162, 199;
D9/436

CPC A46B 9/023; A46B 9/02; A46B 9/028;
A46B 1/00; A46B 3/00; A46B 5/00;
A46B 5/0054; A46B 5/021; A46B 7/00;
A46B 9/021; A46B 3/023; A46B 9/025;
A46B 9/026; A46B 9/04; A46B 15/003;
A46B 15/0059; A46B 2200/102; A46B
2200/104; B29L 2021/00; B29L
2021/005; A45D 1/10; A45D 1/18; A45D
2/001; A45D 2/002; A45D 2/2471; A45D
8/12; A45D 19/0008; A45D 2019/0041;
A45D 20/12; A45D 20/122; A45D
2020/128; A45D 20/48; A45D 20/52;
A45D 24/00; A45D 24/02; A45D 24/22

See application file for complete search history.

(56) **References Cited**

U.S. PATENT DOCUMENTS

D234,322 S * 2/1975 Smith D28/13
D238,109 S * 12/1975 Vitetta D28/18

D320,673 S * 10/1991 Sterk D28/52
D375,588 S * 11/1996 Bzoch D30/158
D377,694 S * 1/1997 Smal D28/18
5,729,907 A * 3/1998 Santhouse A45D 2/001
34/98
6,009,883 A * 1/2000 Morrow A45D 2/001
132/211
D558,400 S * 12/2007 Micinilio D28/54
D591,455 S * 4/2009 Micinilio D28/54
D619,301 S * 7/2010 Wattam D28/47

(Continued)

Primary Examiner — Shannon W Morgan

(74) *Attorney, Agent, or Firm* — Edell, Shapiro & Finnan, LLC

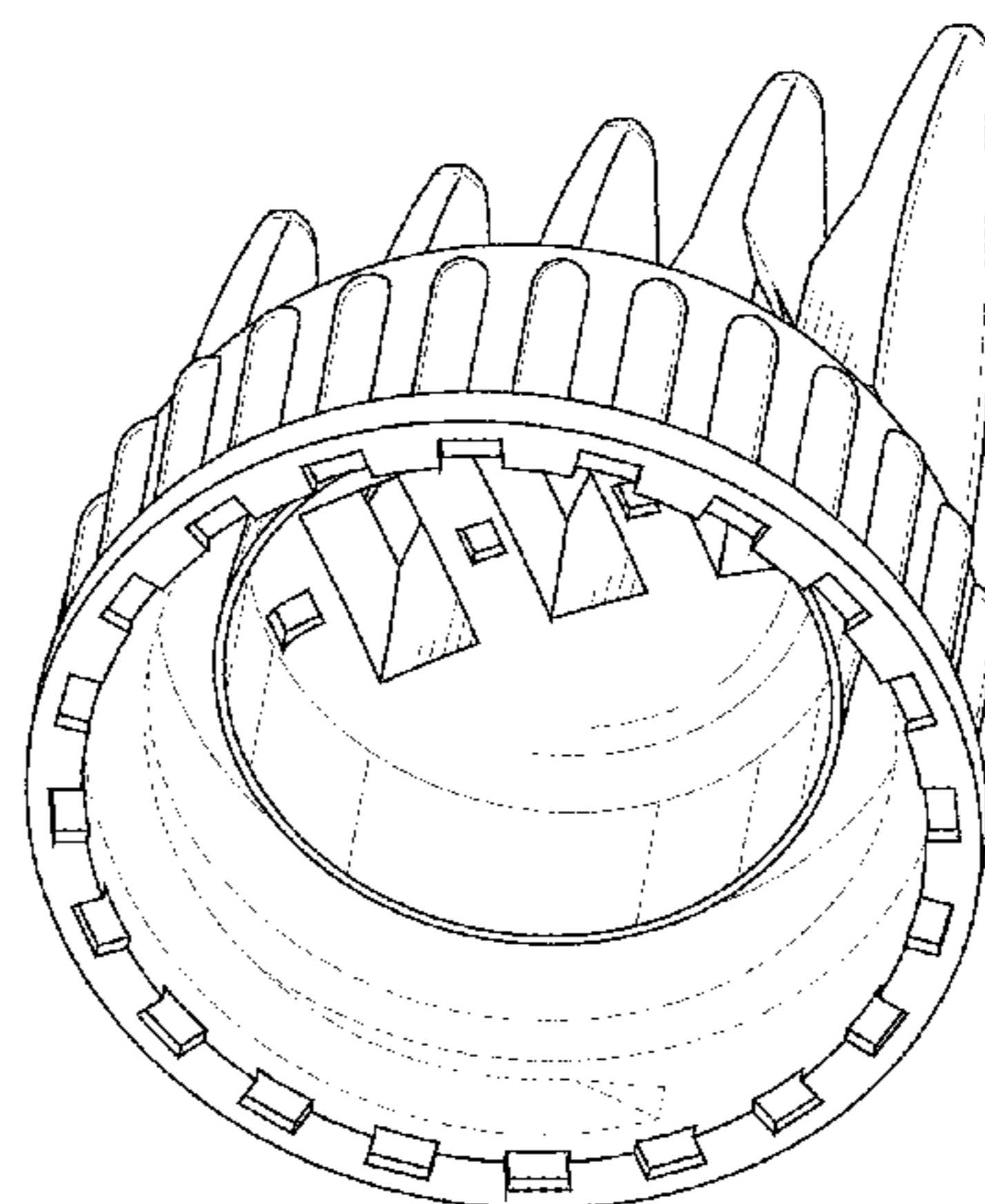
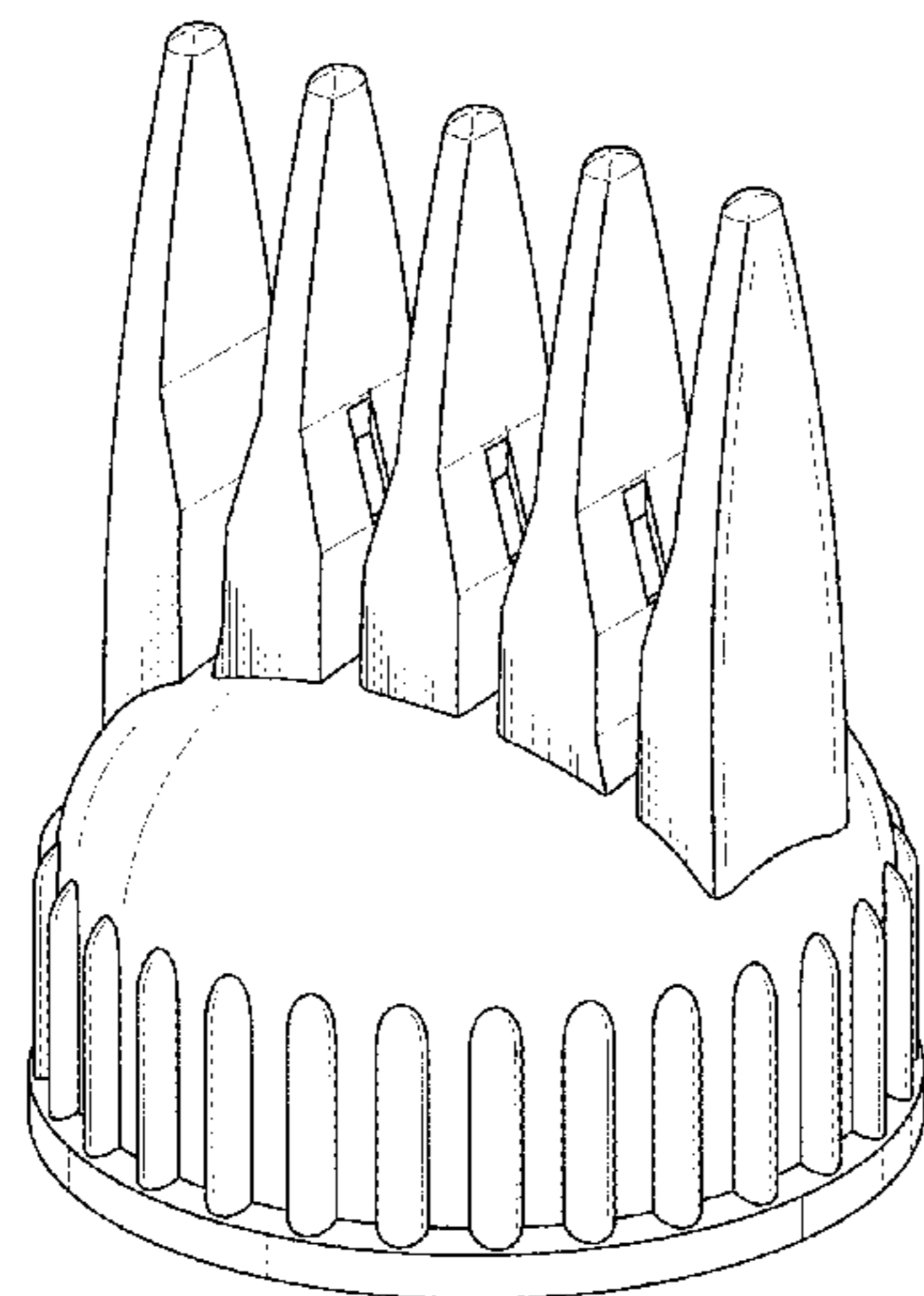
(57) **CLAIM**

The ornamental design for an applicator brush, as shown and described.

DESCRIPTION

FIG. 1 is a front, right perspective view from above of an applicator brush showing the new design;
FIG. 2 is a front elevation view of the applicator brush of FIG. 1;
FIG. 3 is a rear elevation view of the applicator brush of FIG. 1;
FIG. 4 is a right side elevation view of the applicator brush of FIG. 1;
FIG. 5 is a left side elevation view of the applicator brush of FIG. 1;
FIG. 6 is a top plan view of the applicator brush of FIG. 1;
FIG. 7 is a bottom plan view of the applicator brush of FIG. 1; and,
FIG. 8 is front, right perspective view from below of the applicator brush of FIG. 1.
The broken lines illustrate portions of the applicator brush and form no part of the claimed design.

1 Claim, 5 Drawing Sheets



(56)

References Cited

U.S. PATENT DOCUMENTS

7,934,512	B2 *	5/2011	Spagnuolo	A45D 19/0008 132/112
8,220,469	B1 *	7/2012	Spagnuolo	A45D 19/02 132/114
D670,862	S *	11/2012	Petrucelli, Jr.	D28/18
D722,201	S *	2/2015	Boulangier	D28/54
D726,370	S *	4/2015	Han	D28/18
D749,783	S *	2/2016	Norwid	D28/18
D754,400	S *	4/2016	Andersson	D28/54
2006/0248669	A1 *	11/2006	Dovellos	A46B 3/12 15/159.1
2007/0068544	A1 *	3/2007	Hackl	A45D 24/22 132/113
2008/0060665	A1 *	3/2008	Umeno	A45D 19/02 132/112
2008/0142030	A1 *	6/2008	Venere	A45D 19/0008 132/116
2011/0041863	A1 *	2/2011	Roualdes	A45D 19/02 132/114
2014/0056636	A1 *	2/2014	Gueret	A45D 19/02 401/268
2014/0088520	A1 *	3/2014	Kong	A45D 24/22 604/290
2016/0120286	A1 *	5/2016	Han	A45D 20/52 132/116

* cited by examiner

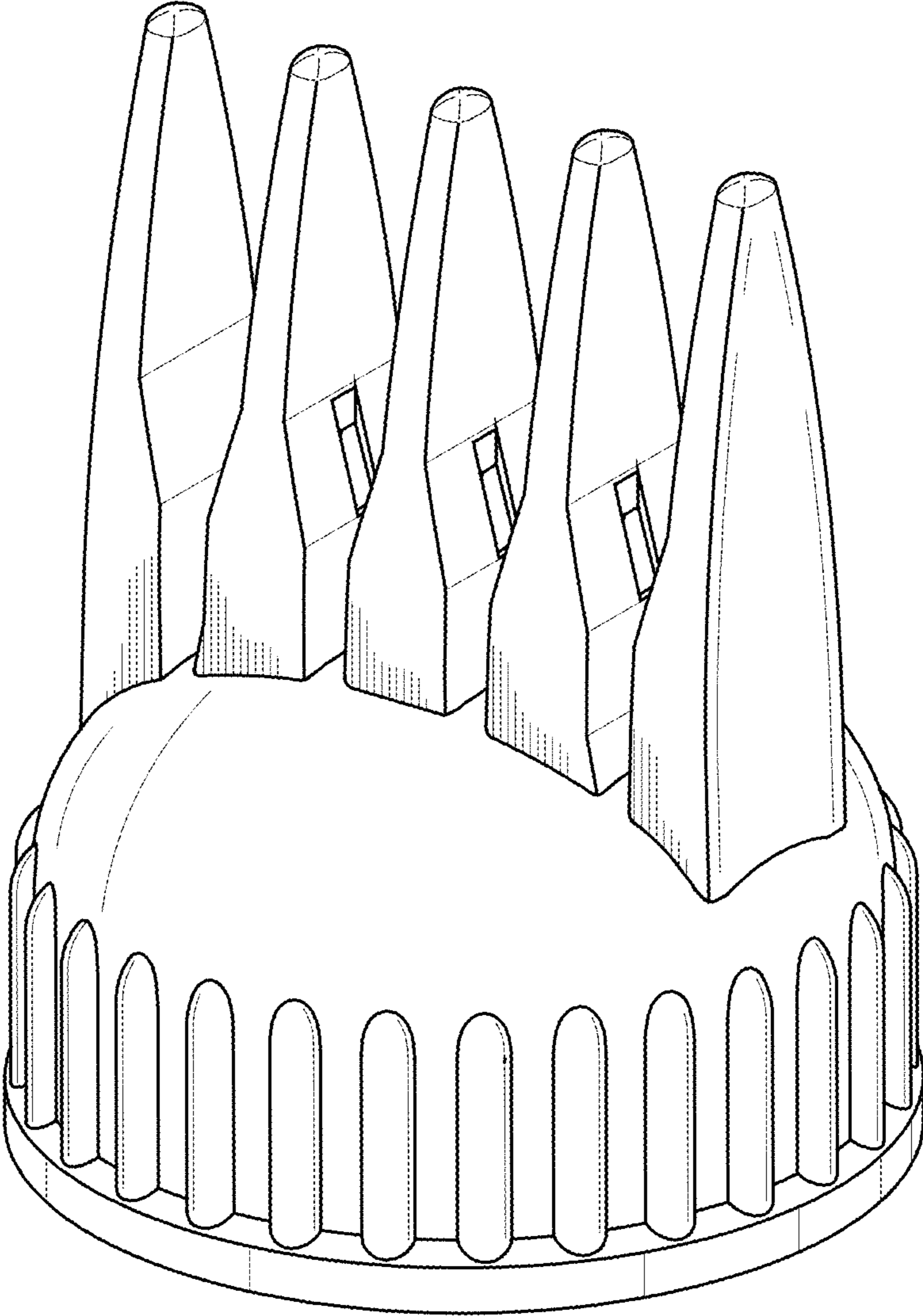


FIG.1

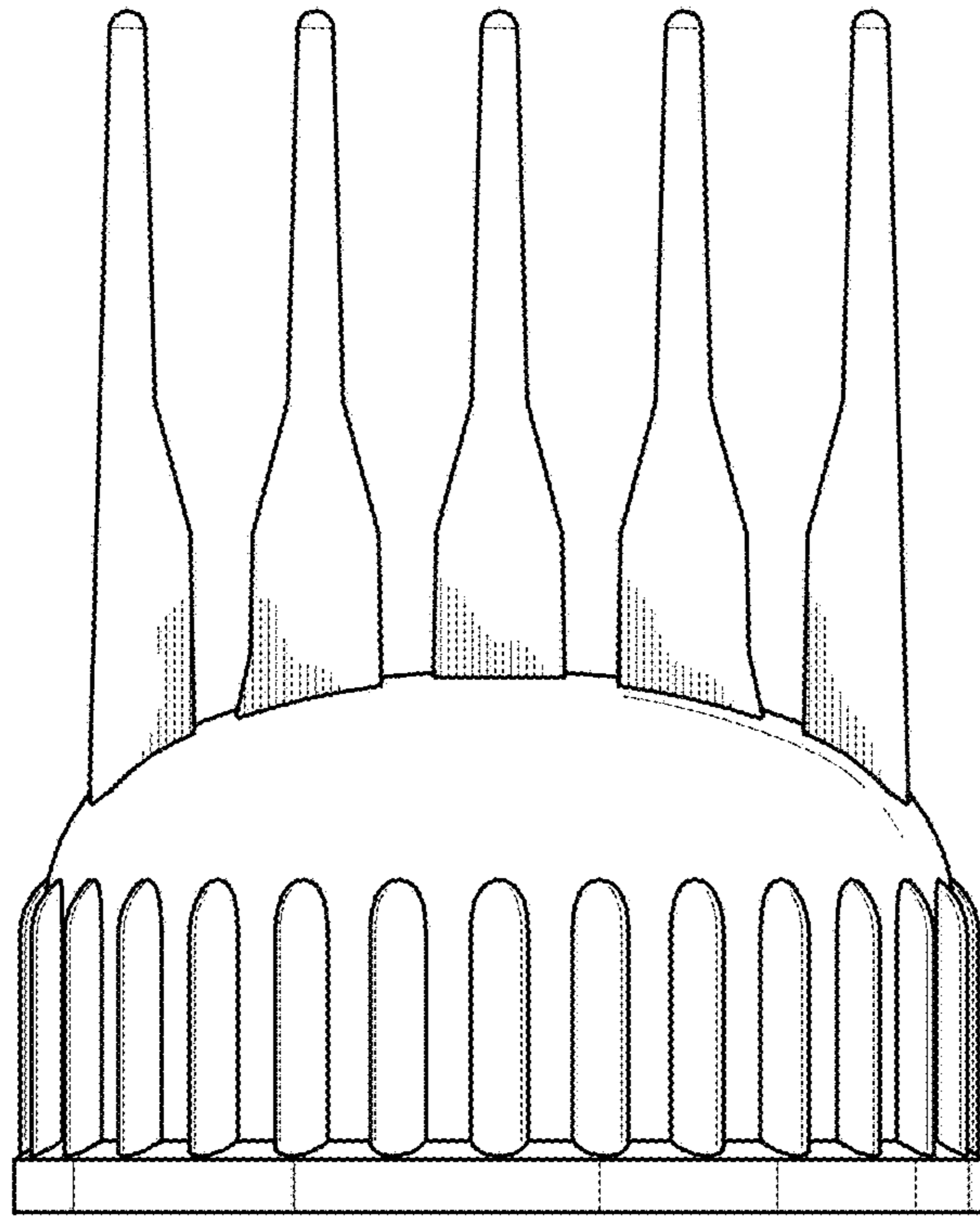


FIG. 2

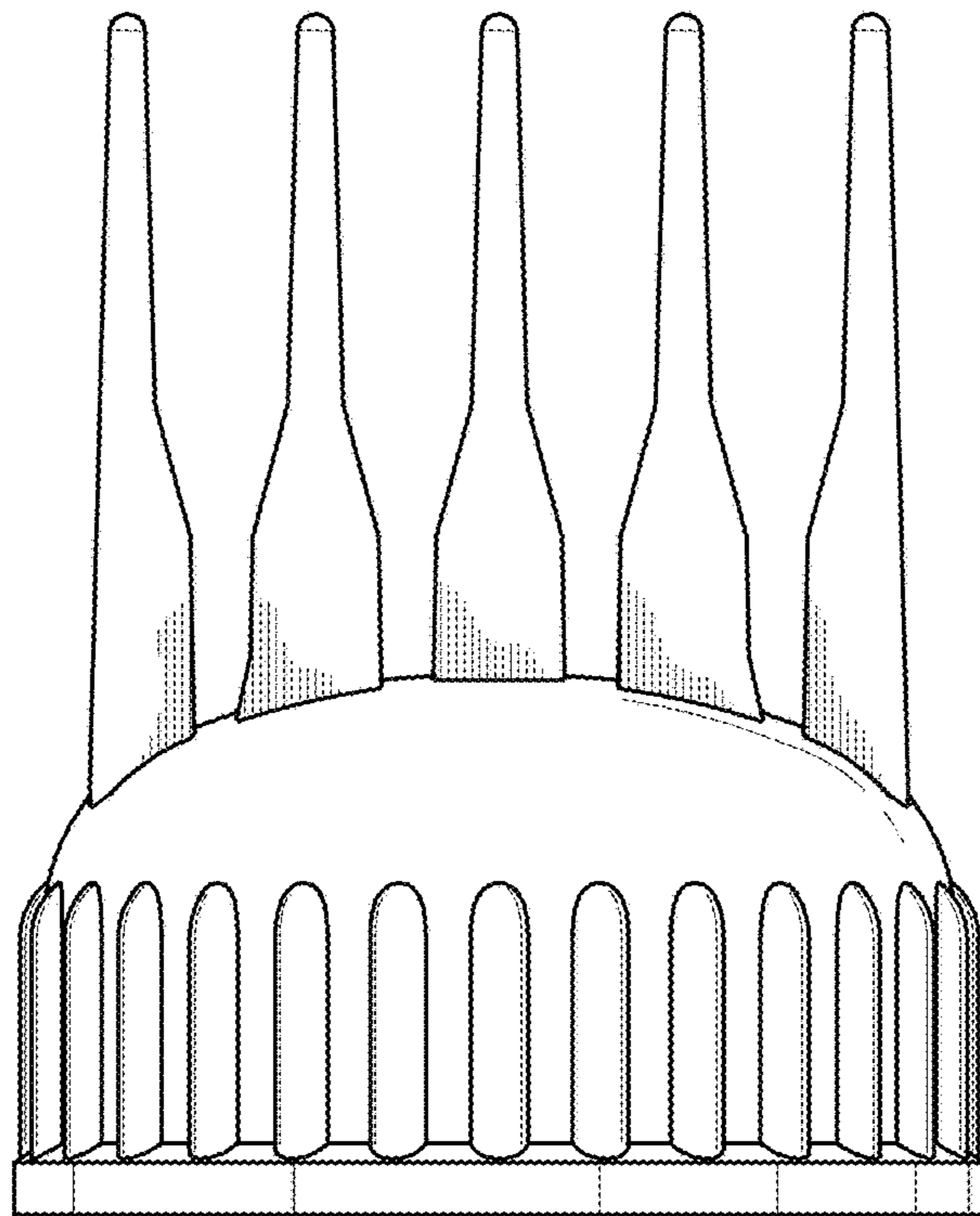


FIG. 3

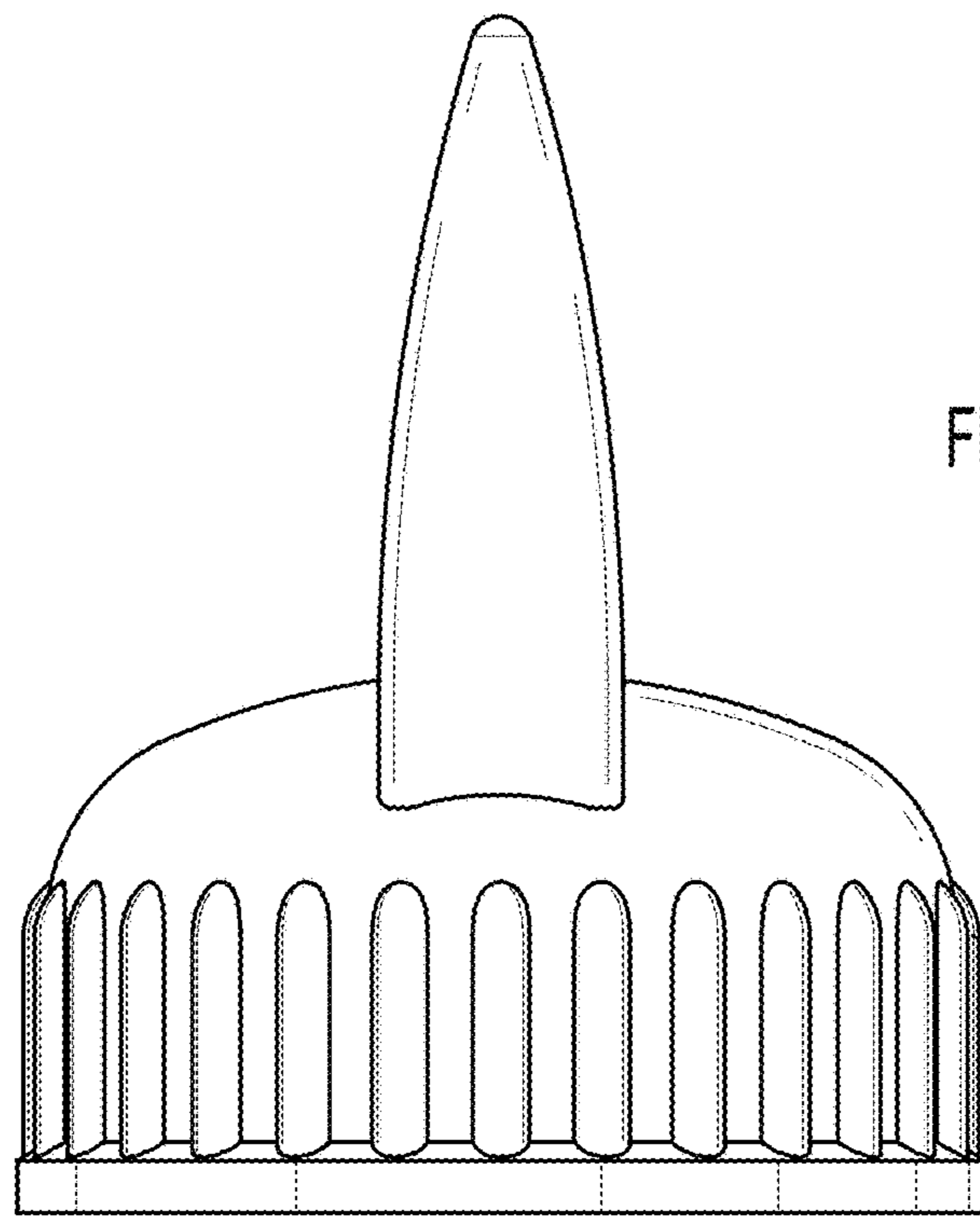


FIG. 4

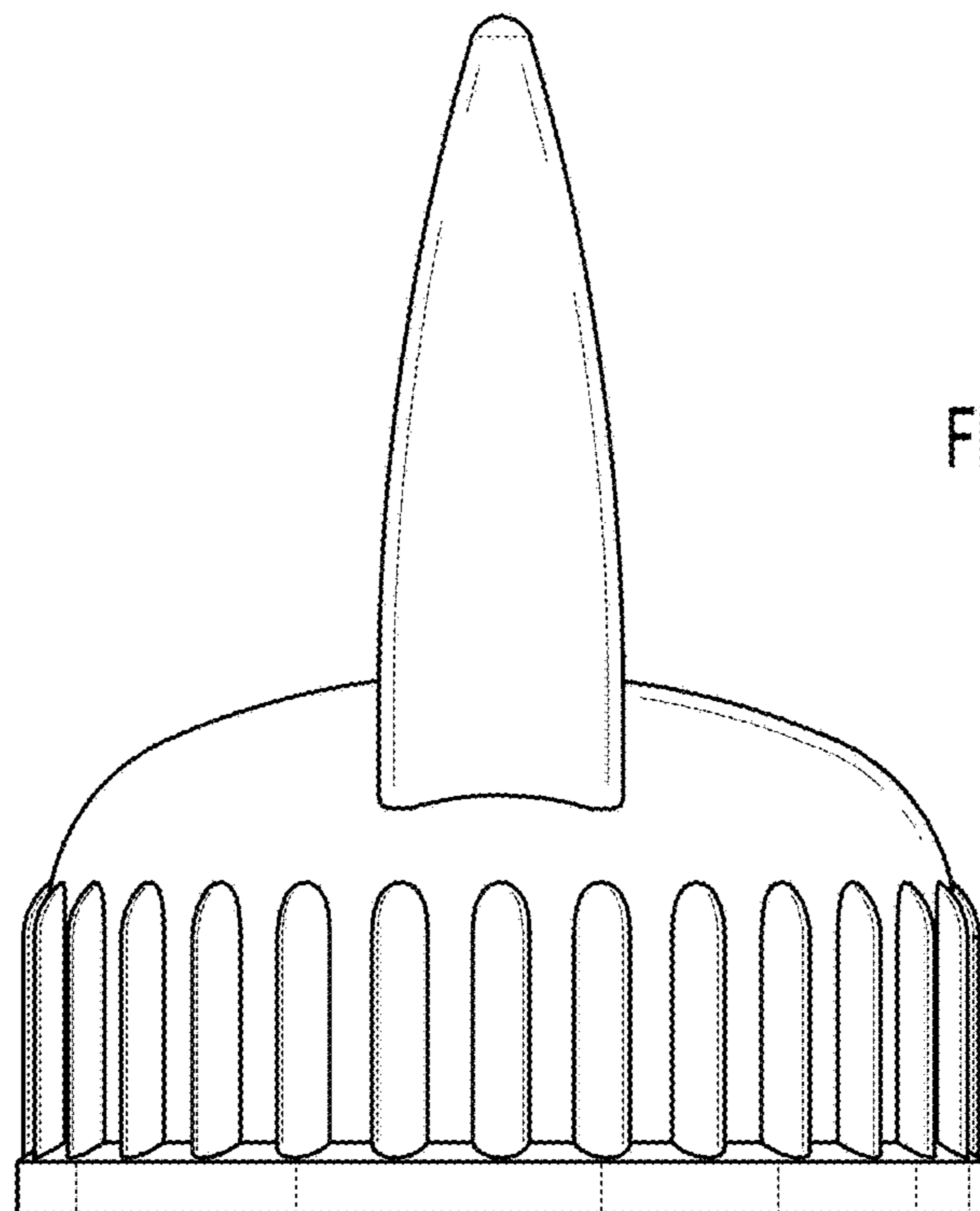


FIG. 5

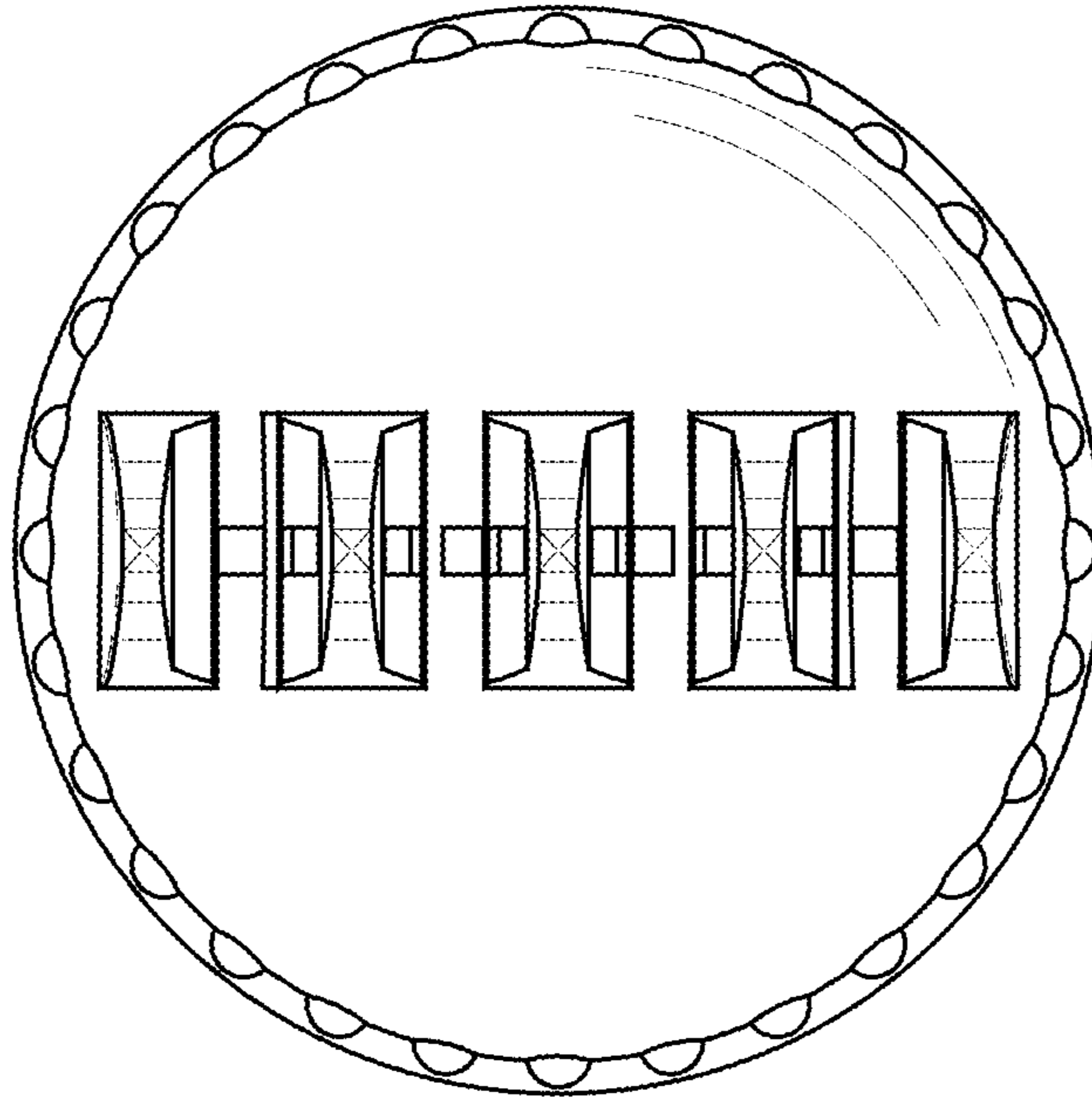


FIG. 6

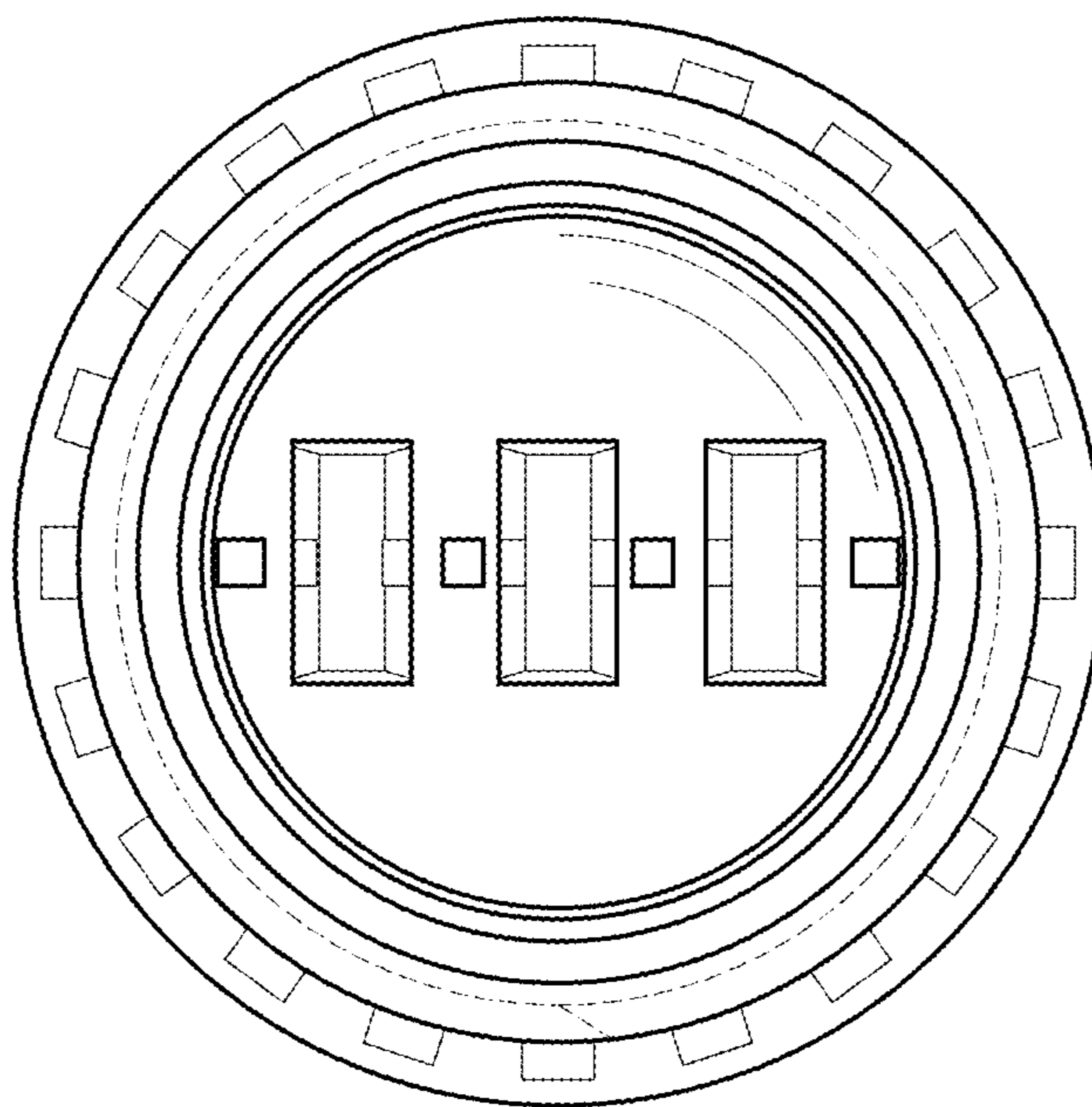


FIG. 7

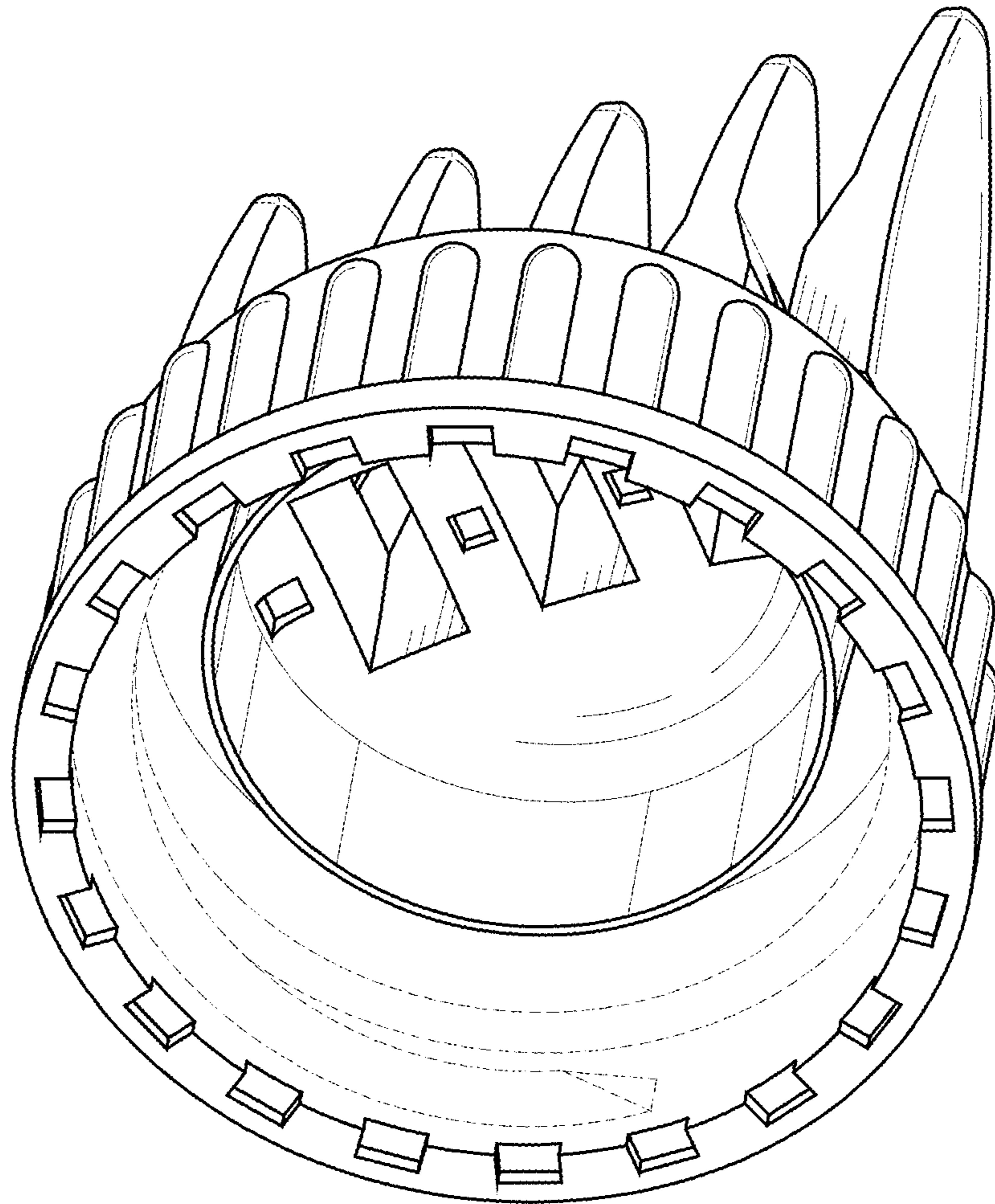


FIG.8