



US00D816895S

(12) **United States Design Patent** (10) **Patent No.:** **US D816,895 S**  
**Ren** (45) **Date of Patent:** **\*\* May 1, 2018**

(54) **ELECTRONIC HOOKAH**  
(71) Applicant: **Qiuming Ren**, Los Angeles, CA (US)  
(72) Inventor: **Qiuming Ren**, Los Angeles, CA (US)  
(\*\*) Term: **15 Years**  
(21) Appl. No.: **29/591,498**  
(22) Filed: **Jan. 20, 2017**  
(51) **LOC (11) Cl.** ..... **27-02**  
(52) **U.S. Cl.**  
USPC ..... **D27/162**  
(58) **Field of Classification Search**  
USPC ..... D27/100, 101, 162-170, 172-195;  
D9/520  
CPC ..... A24F 1/30; A24F 9/14  
See application file for complete search history.

D775,762 S \* 1/2017 Chen ..... D27/101  
D776,544 S \* 1/2017 Staab ..... D9/520  
D779,115 S \* 2/2017 Stoll ..... D27/153  
D788,362 S \* 5/2017 Qiu ..... D27/101  
D792,228 S \* 7/2017 de Baschmakoff ..... D9/522  
(Continued)

**OTHER PUBLICATIONS**

Dr. Dabber Boost Bundle. (Nov. 15, 2016). Retrieved Jan. 5, 2017, from <https://vapemood.com/product/dr-dabber-boost-vaporizer-bundle/48>  
gclid=Cj0KEQiA4o3DBRCJsZqh8vWqt\_8BEiQA2Fw0eR5  
PapmczKMe7TQIEJ0v2ptqkZAnKXpojwnH1HV\_myQaAppM  
8P8HAQ.

*Primary Examiner* — Brandon M Rosati  
*Assistant Examiner* — Marissa J Cash  
(74) *Attorney, Agent, or Firm* — Dunlap Bennett & Ludwig PLLC

(56) **References Cited**

**U.S. PATENT DOCUMENTS**

D535,566 S \* 1/2007 Lin ..... D9/453  
D537,728 S \* 3/2007 De Monclin ..... D9/573  
D656,827 S \* 4/2012 Mandell ..... D9/516  
D678,074 S \* 3/2013 De France ..... D9/435  
D691,054 S \* 10/2013 Olsson ..... D9/435  
D728,855 S \* 5/2015 Liu ..... D27/163  
D736,647 S \* 8/2015 DeMarco ..... D9/694  
D739,250 S \* 9/2015 Rohit ..... D9/529  
D741,720 S \* 10/2015 Anandani ..... D9/560  
D753,336 S \* 4/2016 Chen ..... D27/101  
D753,338 S \* 4/2016 Chen ..... D27/162  
D758,004 S \* 5/2016 Freshwater ..... D27/163  
D758,656 S \* 6/2016 Freshwater ..... D27/163  
D761,999 S \* 7/2016 Liu ..... D27/101  
D768,331 S \* 10/2016 Chen ..... D27/101  
D769,520 S \* 10/2016 Hua ..... D27/167  
D770,678 S \* 11/2016 Shin ..... D27/163  
D771,309 S \* 11/2016 Ward ..... D27/167  
D771,867 S \* 11/2016 Leidel ..... D27/163  
D773,114 S \* 11/2016 Leidel ..... D27/163  
D773,116 S \* 11/2016 Liu ..... D27/167  
D775,414 S \* 12/2016 Ampolini ..... D13/108

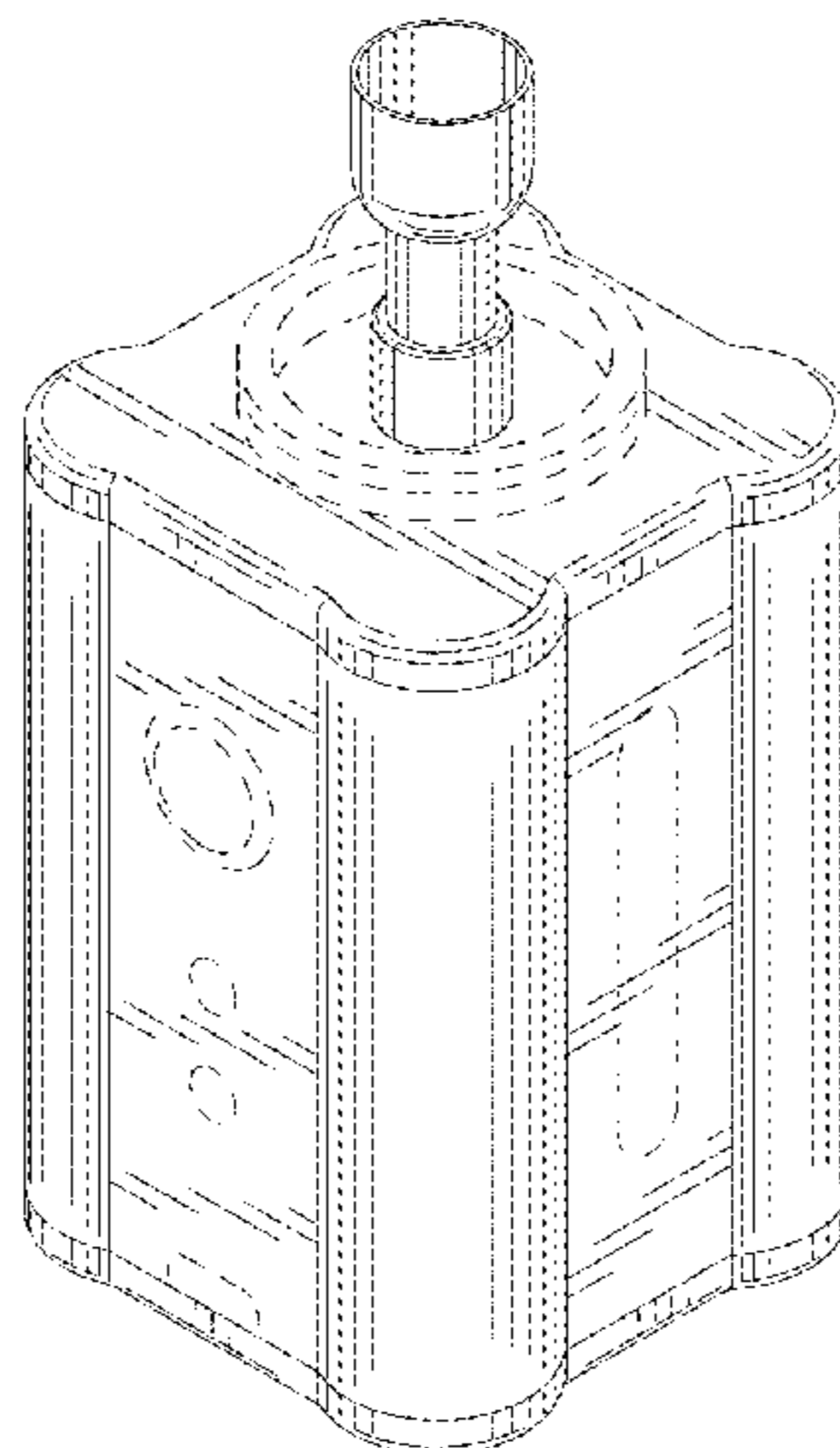
(57) **CLAIM**

The ornamental design for an electronic hookah, as shown and described.

**DESCRIPTION**

FIG. 1 is a top plan view of an electronic hookah;  
FIG. 2 is a front elevation view thereof;  
FIG. 3 is a rear elevation view thereof;  
FIG. 4 is a right elevation view thereof, the left elevation view being a mirror image thereof;  
FIG. 5 is a top plan view thereof;  
FIG. 6 is a bottom plan view thereof; and,  
FIG. 7 is a top front perspective view of the electronic hookah shown in an alternative environment of use.  
The broken lines showing additional components in FIG. 7 depicts environmental subject matter that forms no part of the claimed design, while the remaining broken lines shown in the drawings depict portions of the electronic hookah that form no part of the claimed design.

**1 Claim, 4 Drawing Sheets**



(56)

**References Cited**

U.S. PATENT DOCUMENTS

D796,964 S \* 9/2017 Staab ..... D9/520  
D799,746 S \* 10/2017 Leidel ..... D27/163  
D800,377 S \* 10/2017 Liu ..... D27/101  
D802,834 S \* 11/2017 Mathias ..... D27/163  
2009/0283103 A1 \* 11/2009 Nielsen ..... A24F 1/30  
131/273  
2010/0024834 A1 \* 2/2010 Oglesby ..... A24F 47/006  
131/194  
2012/0255546 A1 \* 10/2012 Goetz ..... A61M 11/041  
128/202.21  
2015/0136124 A1 \* 5/2015 Aronie ..... A24F 47/008  
128/202.21  
2016/0165955 A1 \* 6/2016 Horne ..... A45F 5/02  
131/328  
2016/0213866 A1 \* 7/2016 Tan ..... A61M 11/005  
2016/0271347 A1 \* 9/2016 Raichman ..... A61M 15/06  
2016/0353800 A1 \* 12/2016 Di Carlo ..... A24F 47/008

\* cited by examiner

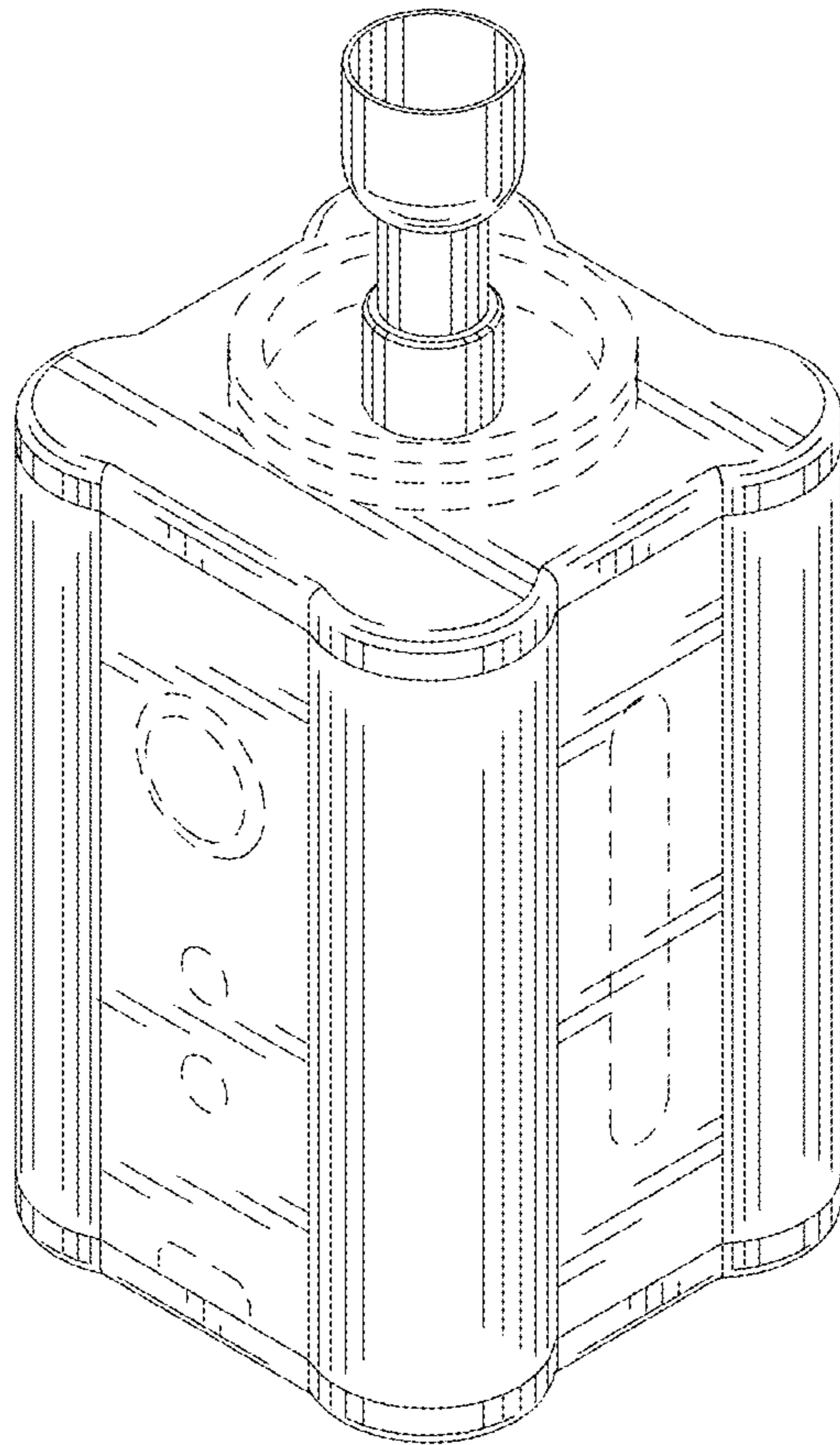


FIG. 1

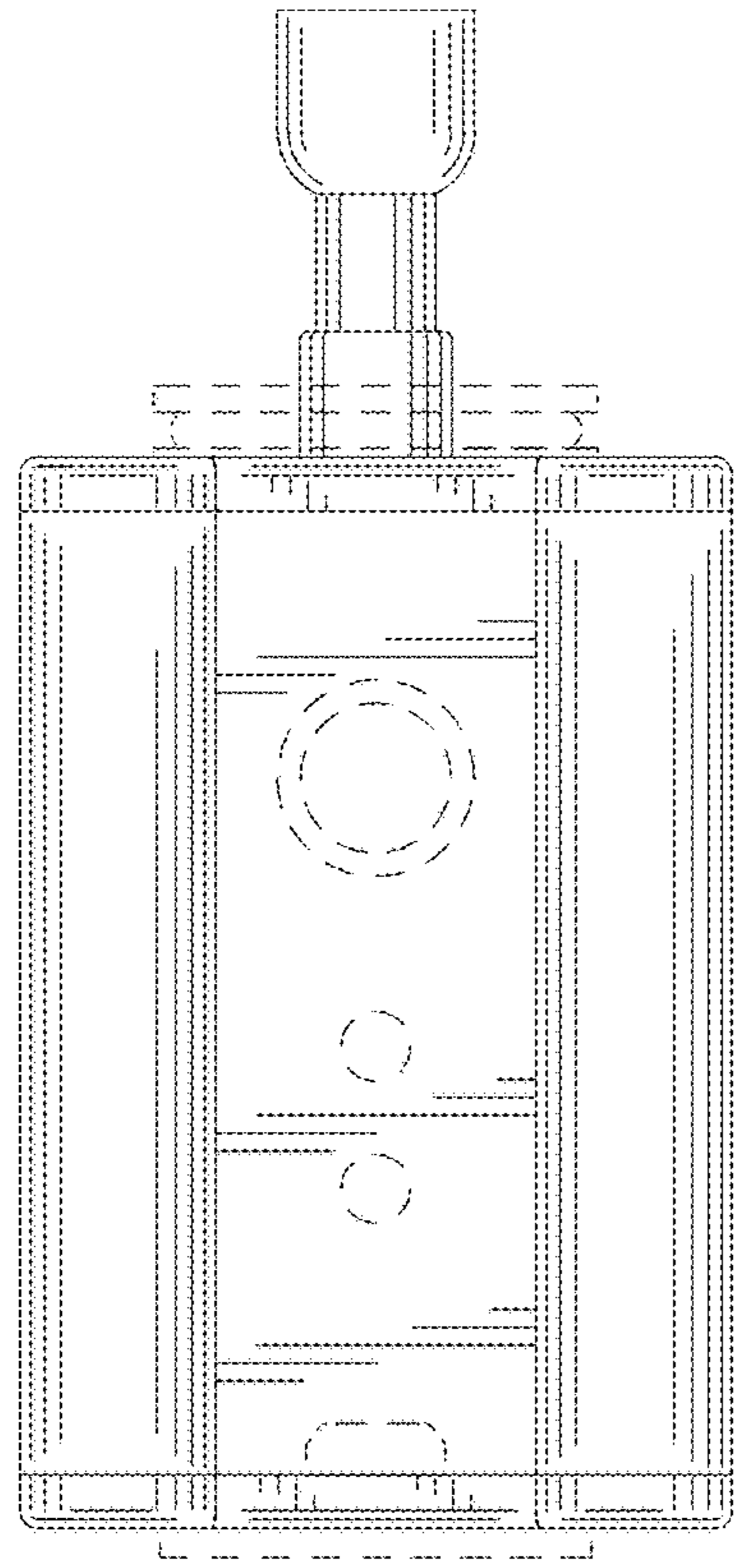


FIG. 2

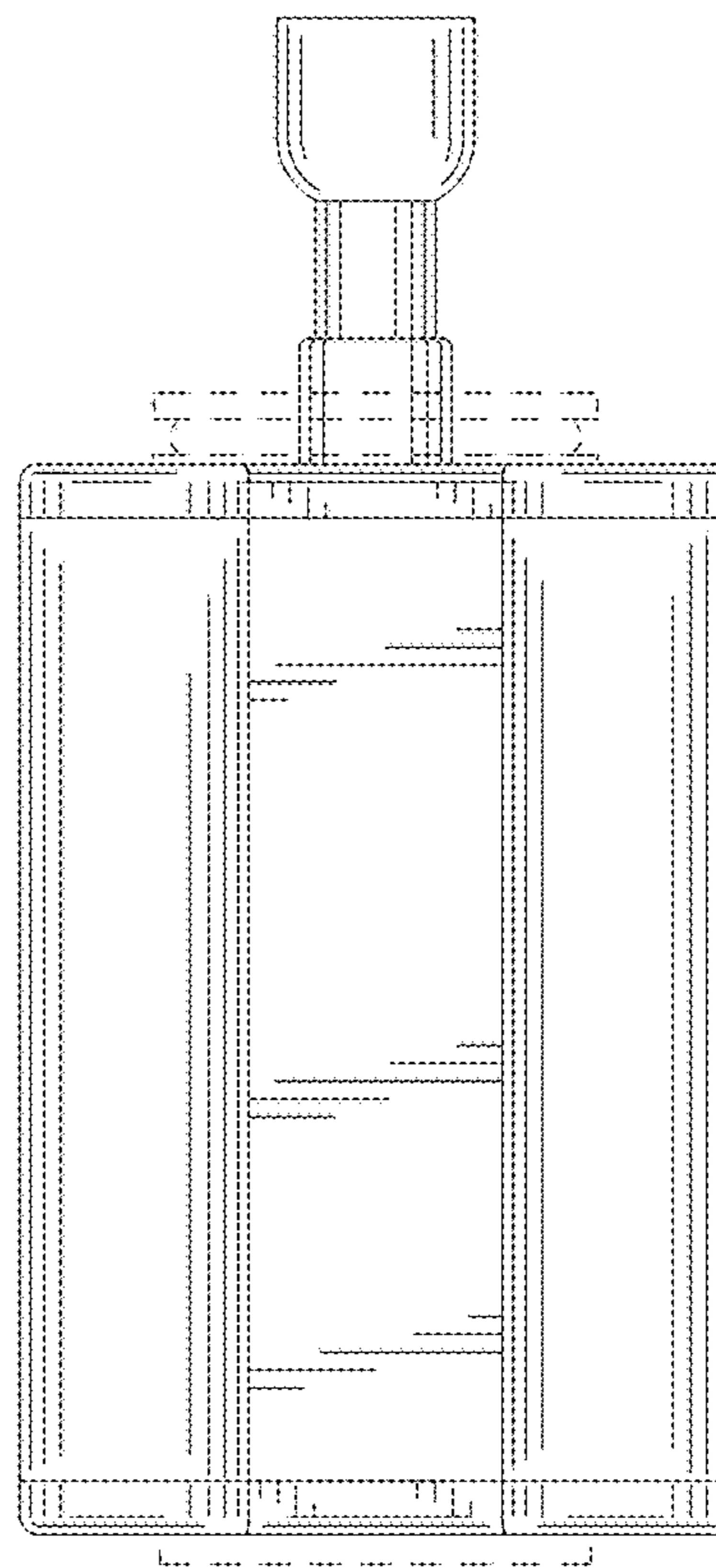


FIG. 3

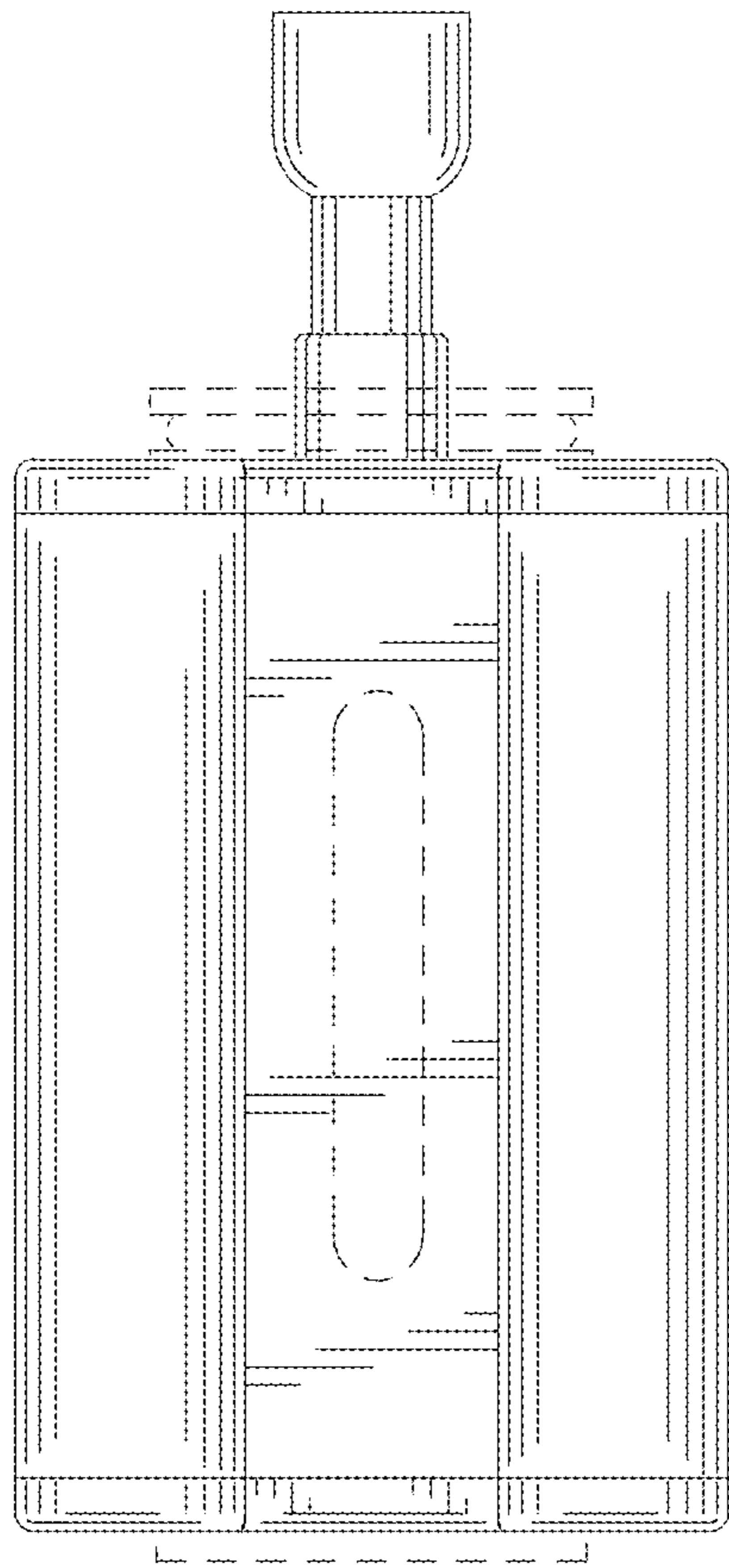


FIG. 4

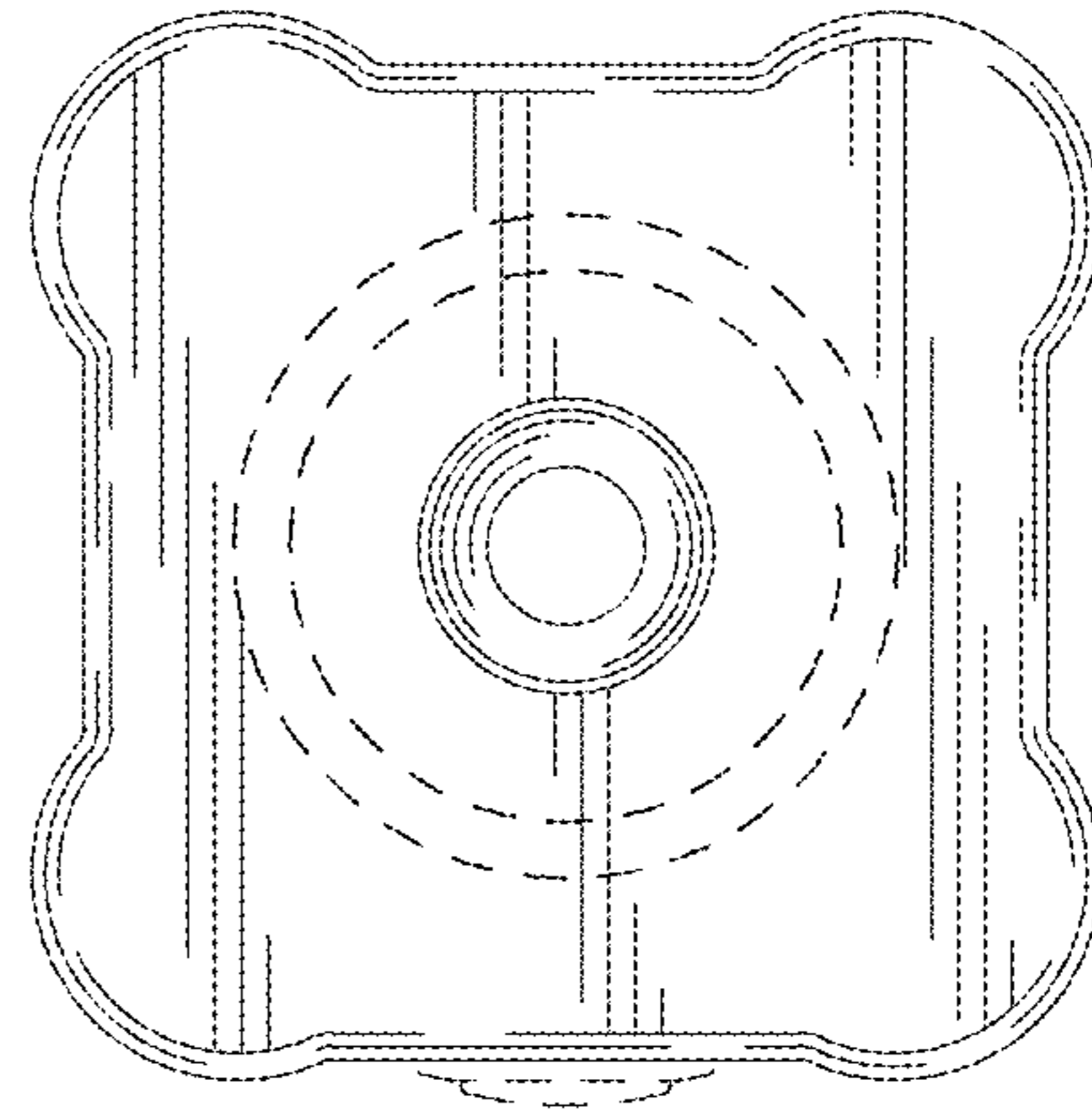


FIG. 5

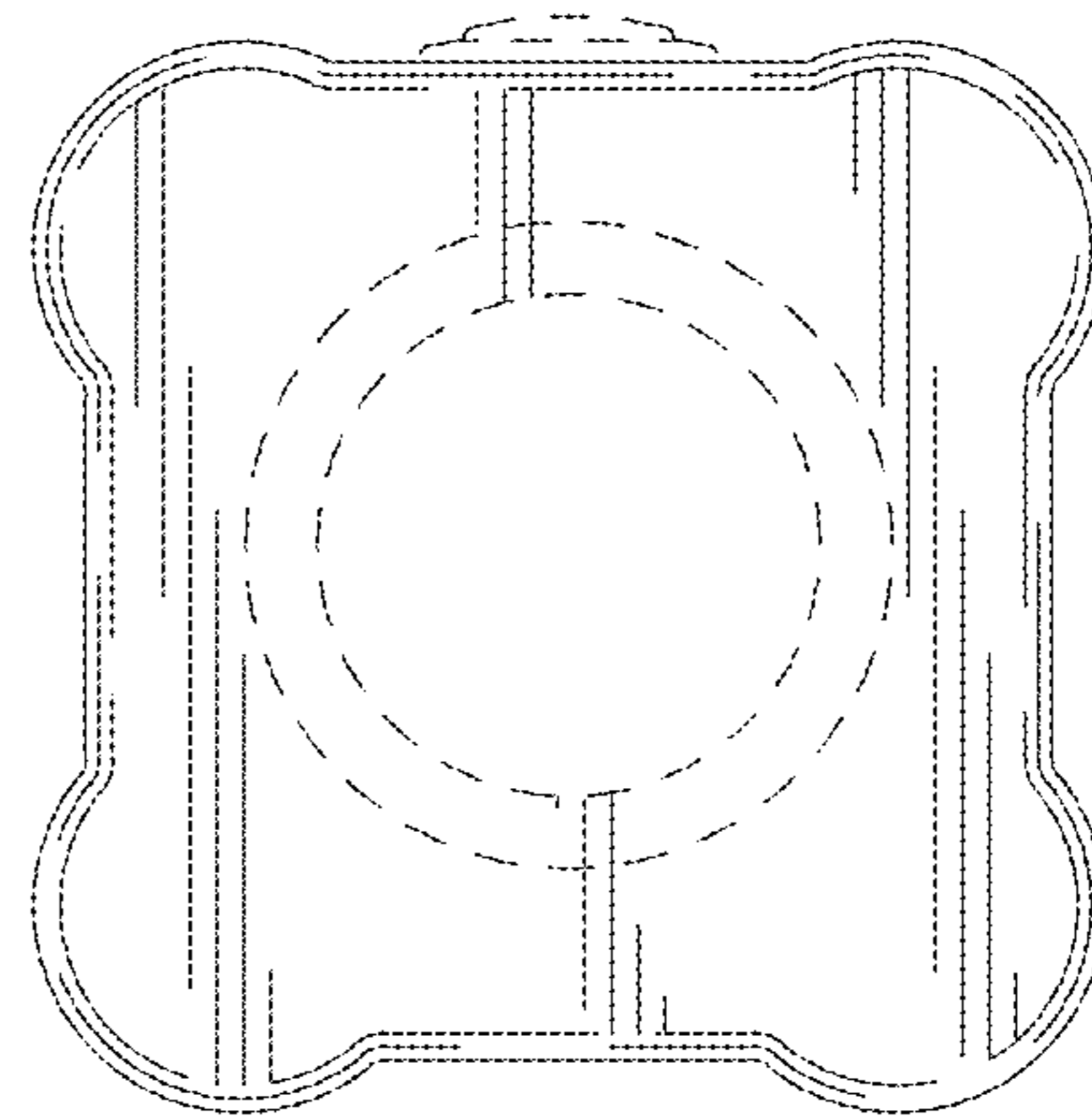


FIG. 6

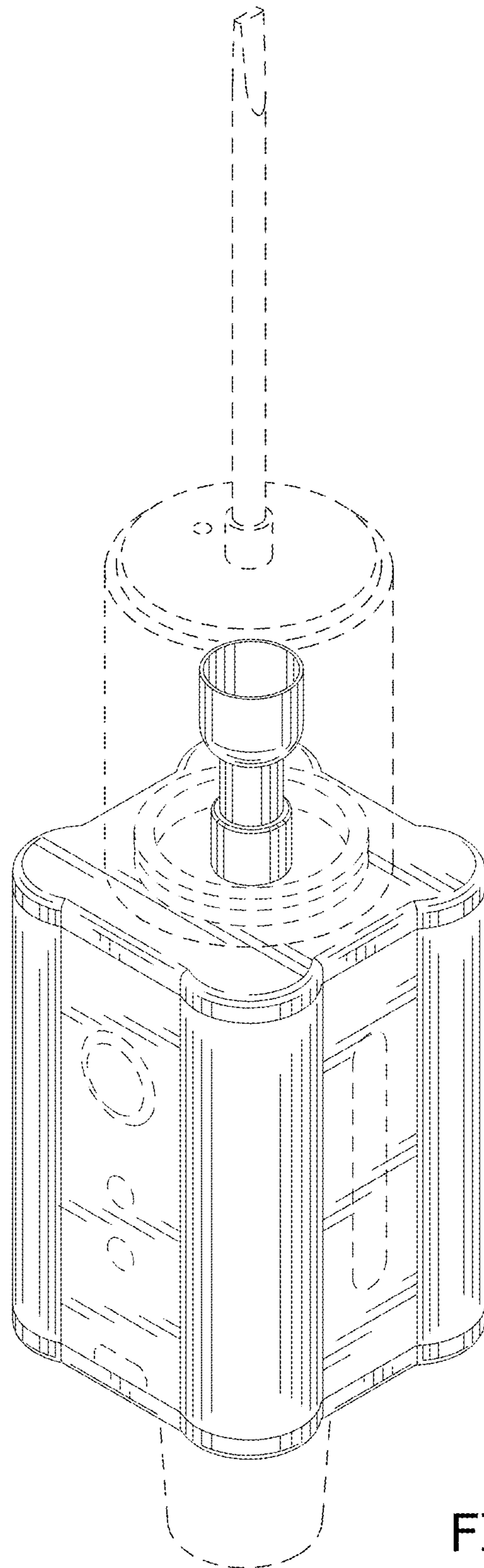


FIG.7