



US00D816892S

(12) **United States Design Patent** (10) **Patent No.:** **US D816,892 S**
Wang et al. (45) **Date of Patent:** **** May 1, 2018**

(54) **LED LIGHT PANEL**

(71) Applicant: **GENERAL LUMINAIRE CO., LTD.**,
Taipei (TW)

(72) Inventors: **Yung-Hong Wang**, Taipei (TW); **Qin Zhou**, Shanghai (CN); **Li-Li Cao**,
Shanghai (CN)

(**) Term: **15 Years**

(21) Appl. No.: **29/600,360**

(22) Filed: **Apr. 12, 2017**

Related U.S. Application Data

(63) Continuation-in-part of application No. 29/550,197,
filed on Dec. 31, 2015.

(51) **LOC (11) Cl.** **26-99**

(52) **U.S. Cl.**
USPC **D26/120**

(58) **Field of Classification Search**
USPC D26/1, 2, 118, 120, 123, 124
CPC F21S 8/026; F21S 8/04; F21Y 2101/02;
F21V 21/02; F21V 29/004; F21V 21/04;
F21V 29/2212

See application file for complete search history.

(56) **References Cited**

U.S. PATENT DOCUMENTS

D584,428 S *	1/2009	Li	D26/2
D644,782 S *	9/2011	Kawagoe	D26/120
D711,583 S *	8/2014	Cho	D26/120
D714,488 S *	9/2014	Chen	D26/123
D735,929 S *	8/2015	Huang	D26/120
D736,993 S *	8/2015	Wang	D26/124
D737,499 S *	8/2015	Motoyanagi	D26/120
D742,059 S *	10/2015	Gettings	D26/120

* cited by examiner

Primary Examiner — Brian N. Vinson

(57) **CLAIM**

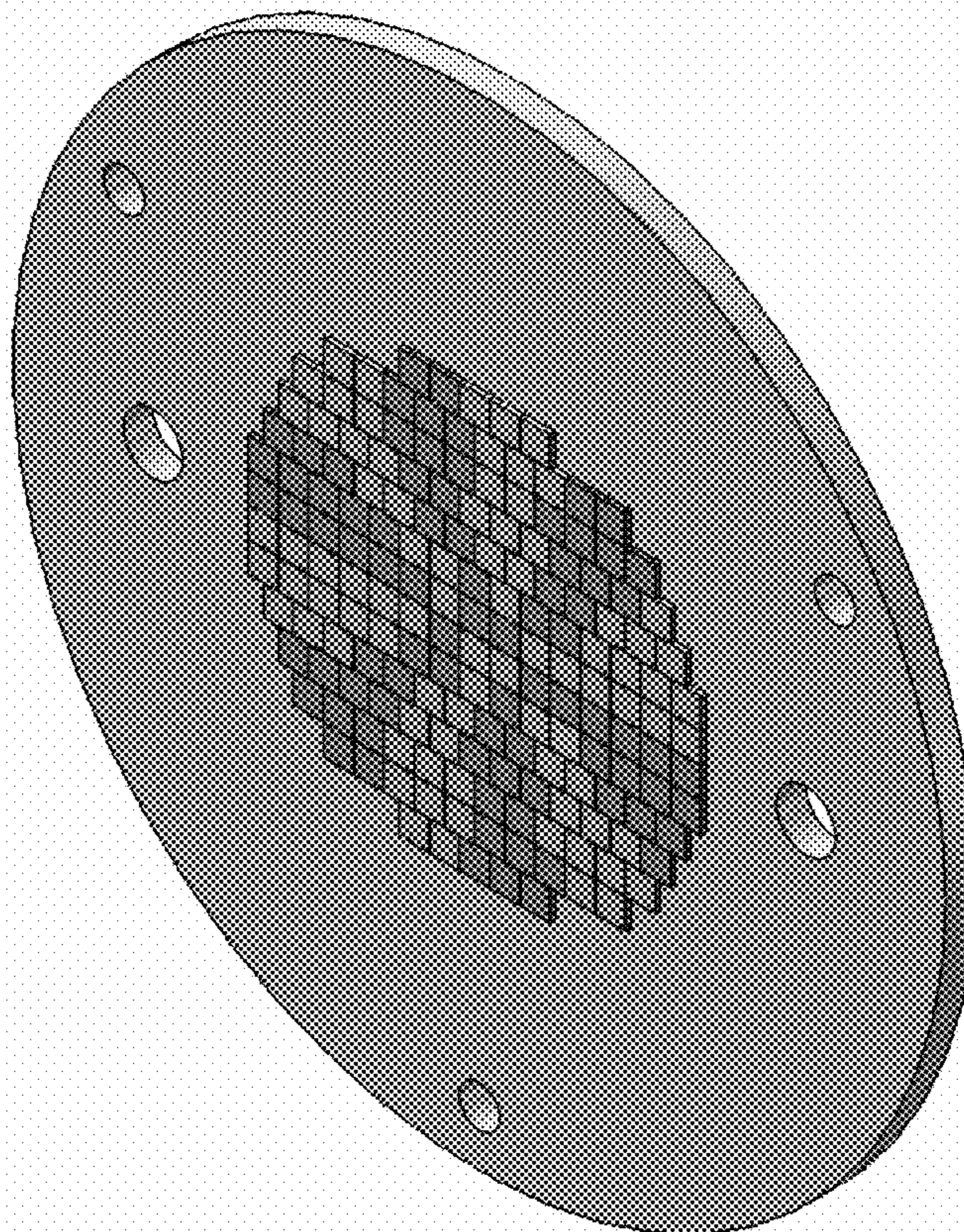
The ornamental design for an “LED light panel,” as shown and described.

DESCRIPTION

The file of this patent contains at least one drawing/photograph executed in color. Copies of this patent with color drawing(s)/photograph(s) will be provided by the Office upon request and payment of the necessary fee.

FIG. 1 is a perspective view of an “LED light panel” showing our new design; and, FIG. 2 is a front view thereof.

1 Claim, 2 Drawing Sheets
(2 of 2 Drawing Sheet(s) Filed in Color)



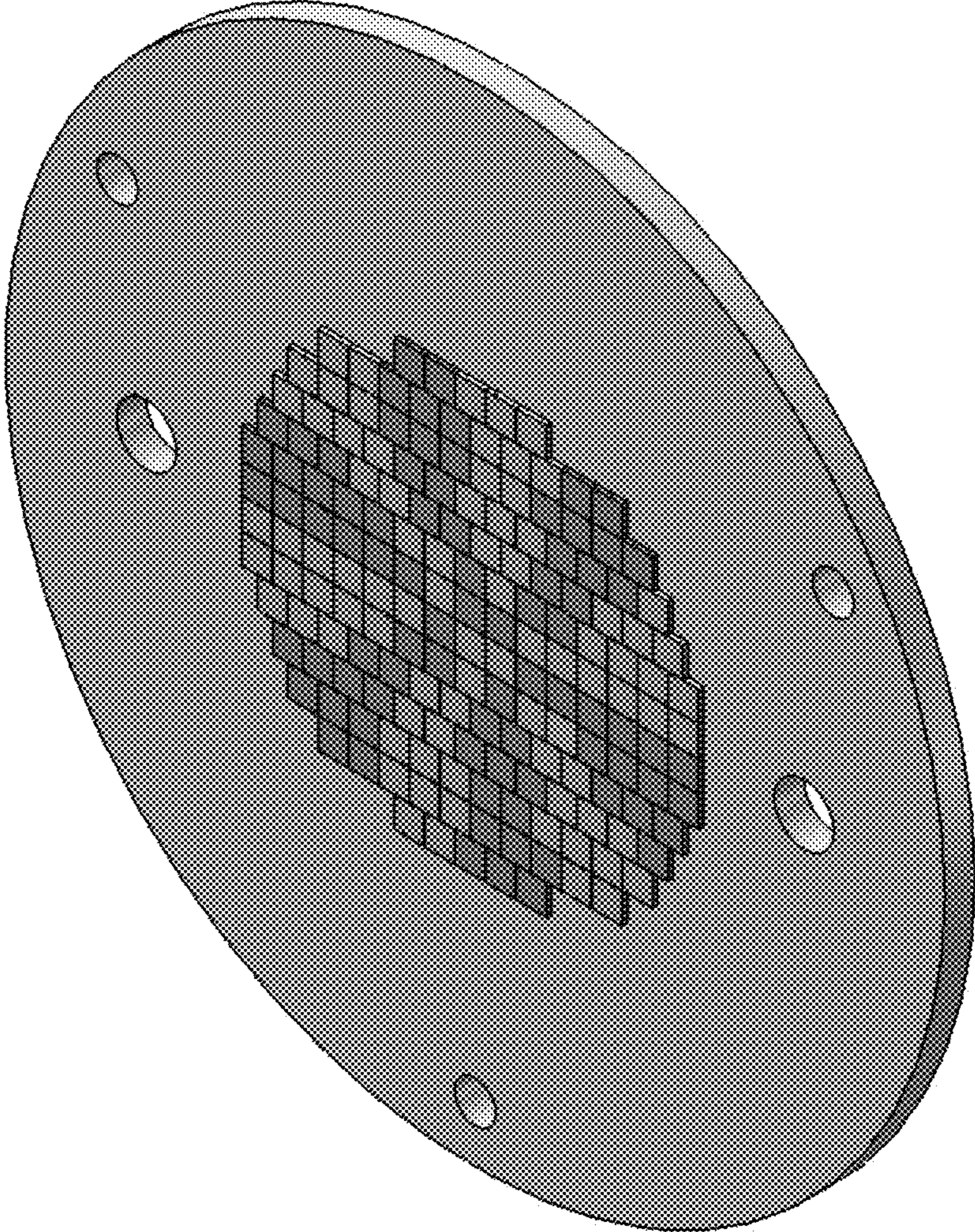


FIG. 1

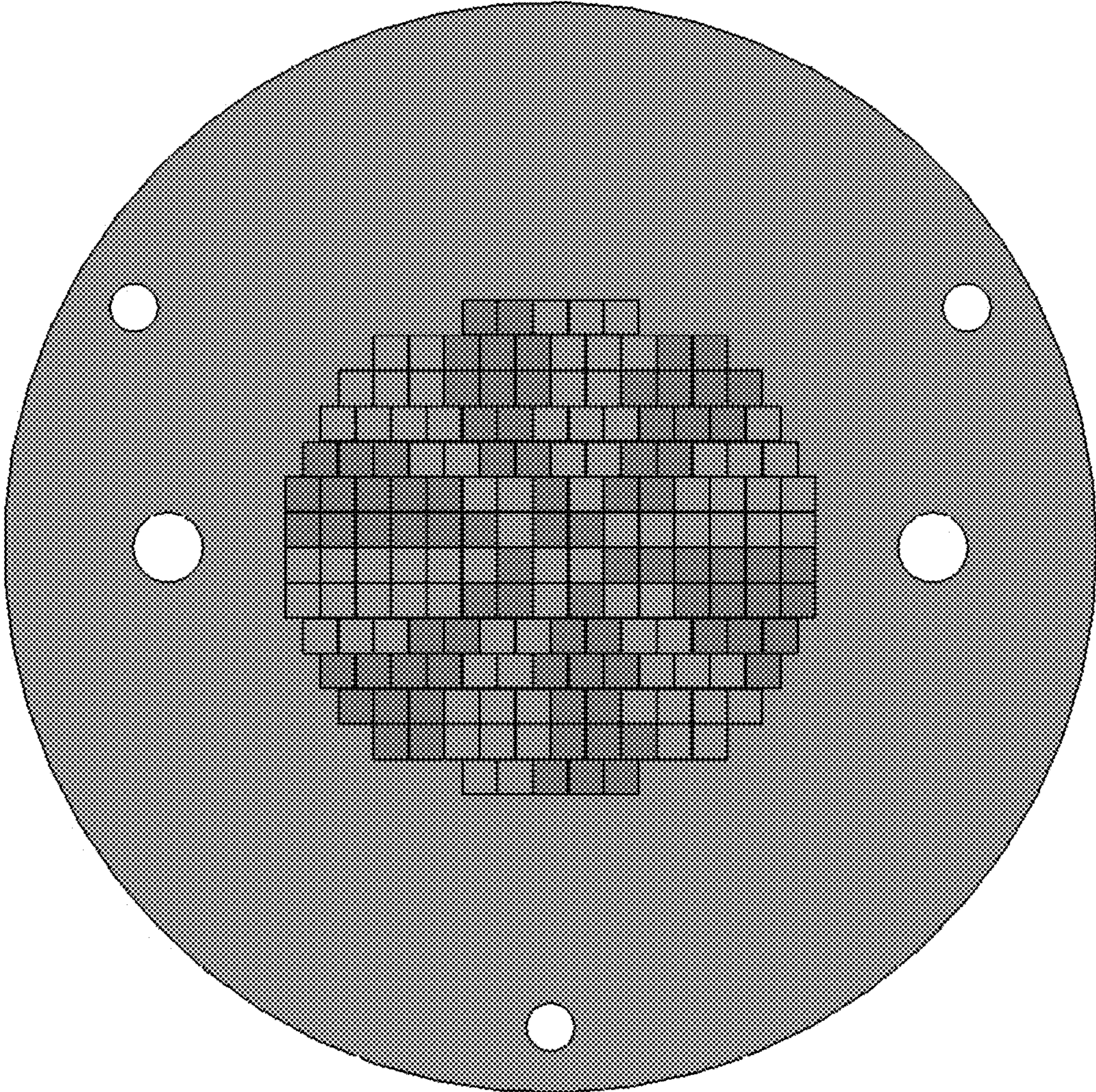


FIG. 2