



US00D816887S

(12) **United States Design Patent** (10) **Patent No.:** **US D816,887 S**  
**Donner** (45) **Date of Patent:** **\*\* May 1, 2018**

(54) **LAMP**

(71) Applicant: **Avital Tamar Donner**, Woodmere, NY (US)

(72) Inventor: **Avital Tamar Donner**, Woodmere, NY (US)

(\*\*) Term: **15 Years**

(21) Appl. No.: **29/605,528**

(22) Filed: **May 26, 2017**

**Related U.S. Application Data**

(63) Continuation-in-part of application No. 29/553,473, filed on Feb. 2, 2016, now Pat. No. Des. 791,393.

(51) **LOC (11) Cl.** ..... **26-03**

(52) **U.S. Cl.**  
USPC ..... **D26/110**

(58) **Field of Classification Search**  
USPC ..... D26/24, 93, 106, 108, 110, 112, 104  
CPC .... F21S 6/00; F21S 6/002; F21S 6/004; F21S 6/008; F21S 8/00; F21S 10/00; F21V 21/02; F21V 2131/30; F21Y 2105/00  
See application file for complete search history.

(56) **References Cited**

**U.S. PATENT DOCUMENTS**

D191,280 S *	9/1961	Hansen	.....	D26/110
D200,172 S *	1/1965	Beck	.....	D26/106
D348,325 S *	6/1994	Segill	.....	D26/110
5,541,824 A *	7/1996	Perkins	.....	B44F 1/00 362/163
D381,110 S *	7/1997	Wang	.....	D26/110
D385,055 S *	10/1997	Hutton	.....	D26/110
D494,304 S *	8/2004	Curtin	.....	D26/110
D509,018 S *	8/2005	Barbeta	.....	D26/112
D768,909 S *	10/2016	Maier	.....	D26/110

\* cited by examiner

*Primary Examiner* — Brian N. Vinson

(74) *Attorney, Agent, or Firm* — Irah H. Donner

(57) **CLAIM**

The ornamental design for a lamp, as shown and described.

**DESCRIPTION**

FIG. 1 is a front elevational view of a lamp showing my new design for Embodiment 1, the rear and side elevational views being identical in appearance;

FIG. 2 is a top plan view thereof, the bottom plan view being identical in appearance for Embodiment 1;

FIG. 3 is a front elevational view thereof for Embodiment 1, with the shade portions removed, the broken line disclosure representing portions of the lamp which form no part of the claimed design, and the rear elevational view being identical in appearance; and

FIG. 4 is a top plan view thereof for Embodiment 1, with the shade portions removed, the broken line disclosure representing portions of the lamp which form no part of the claimed design, and the bottom plan view being identical in appearance.

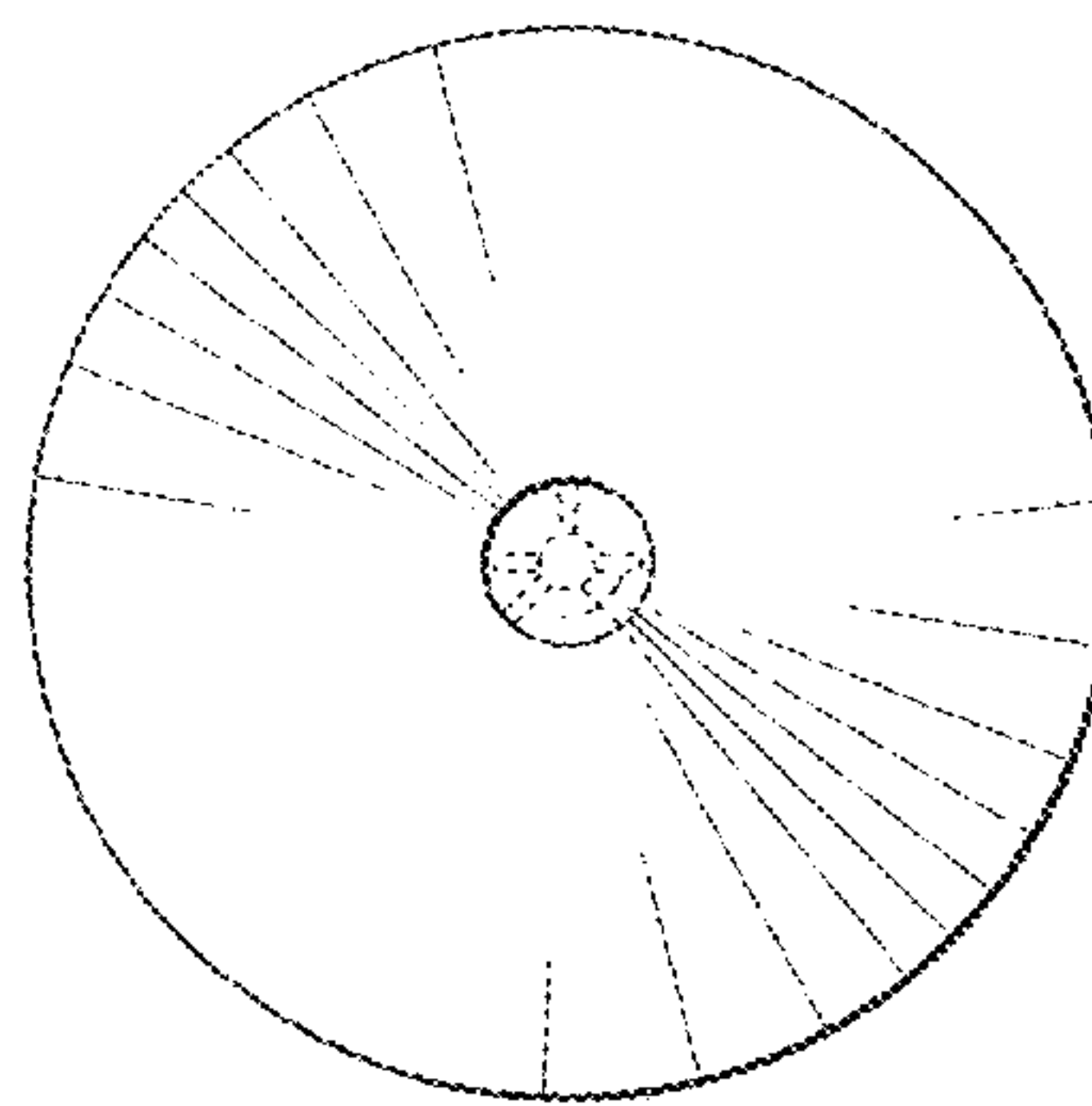
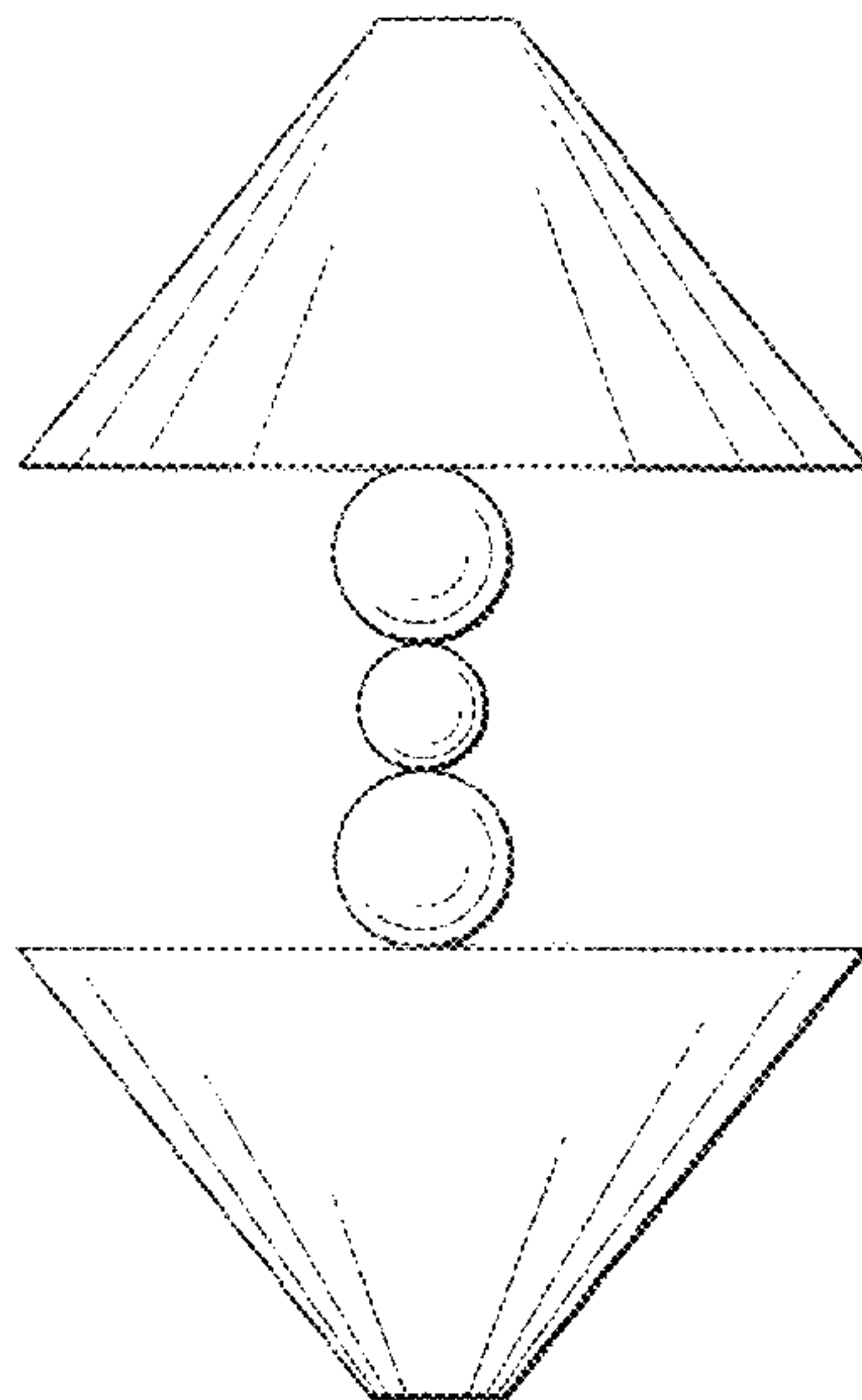
FIG. 5 is a front elevational view of a lamp showing my new design for Embodiment 2, the rear and side elevational views being identical in appearance;

FIG. 6 is a top plan view thereof, the bottom plan view being identical in appearance for Embodiment 2;

FIG. 7 is a front elevational view thereof for Embodiment 2, with the shade portions removed, the broken line disclosure representing portions of the lamp which form no part of the claimed design, and the rear elevational view being identical in appearance; and,

FIG. 8 is a top plan view thereof for Embodiment 2, with the shade portions removed, the broken line disclosure representing portions of the lamp which form no part of the claimed design, and the bottom plan view being identical in appearance.

**1 Claim, 4 Drawing Sheets**



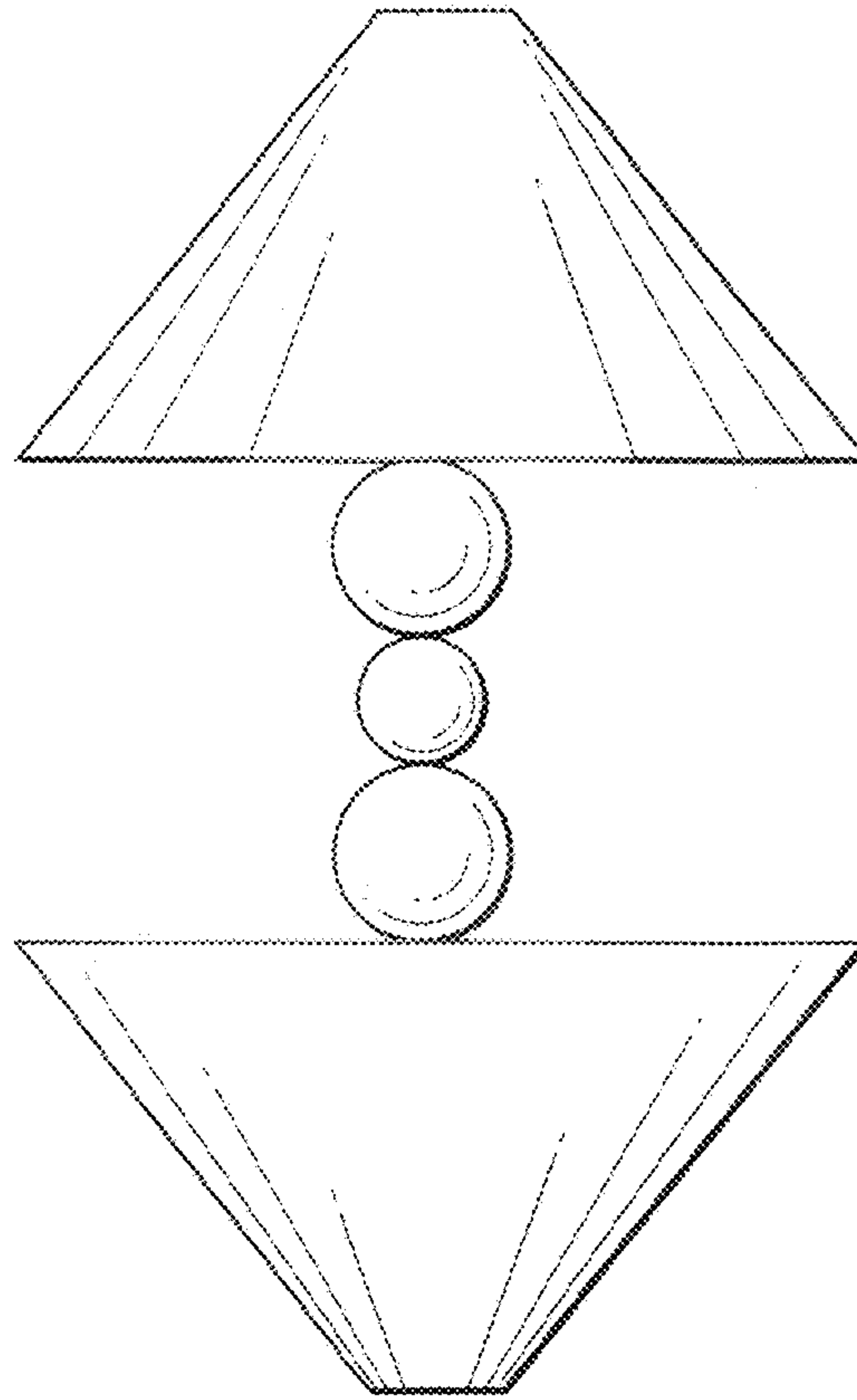


FIG. 1

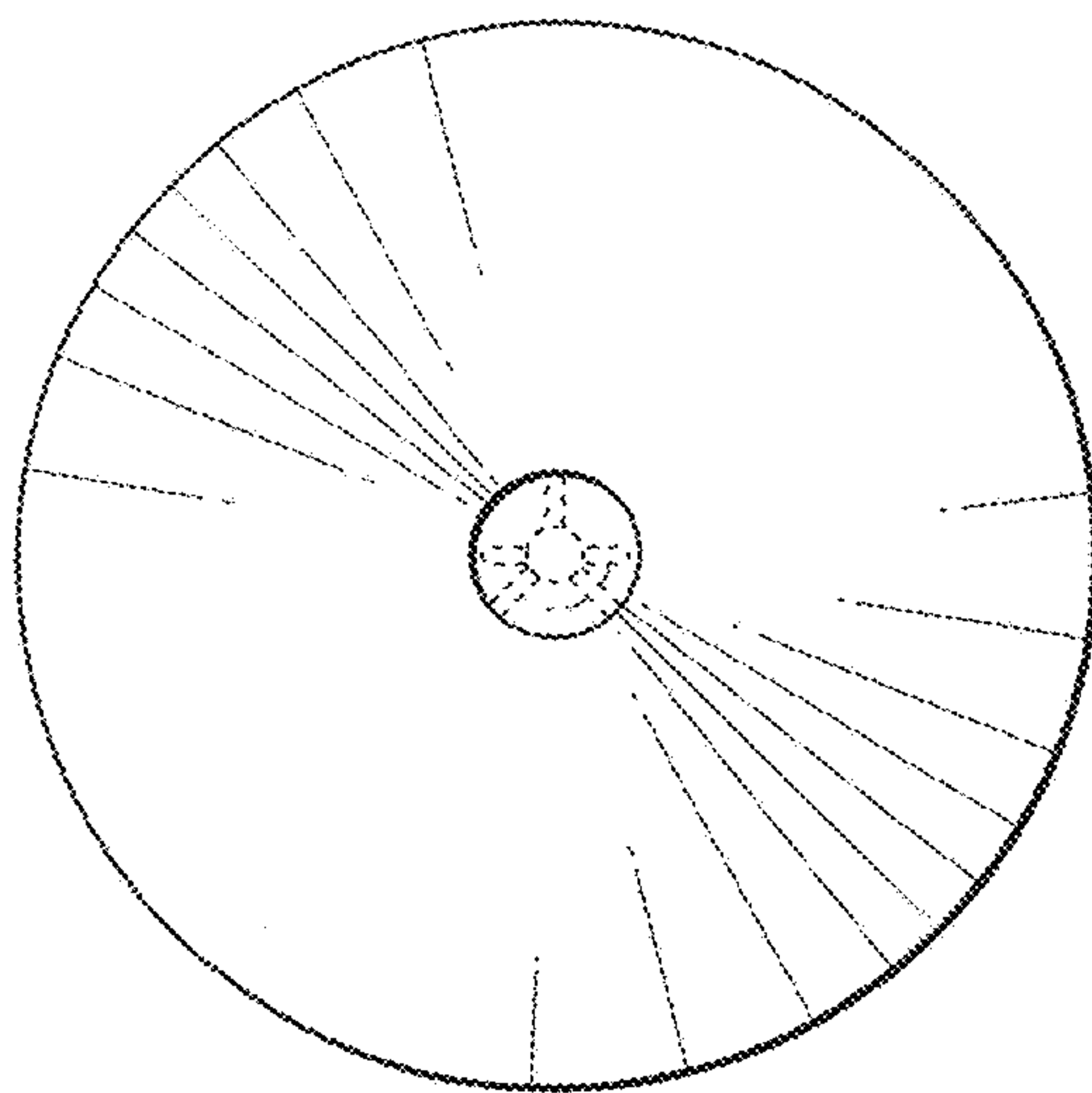


FIG. 2

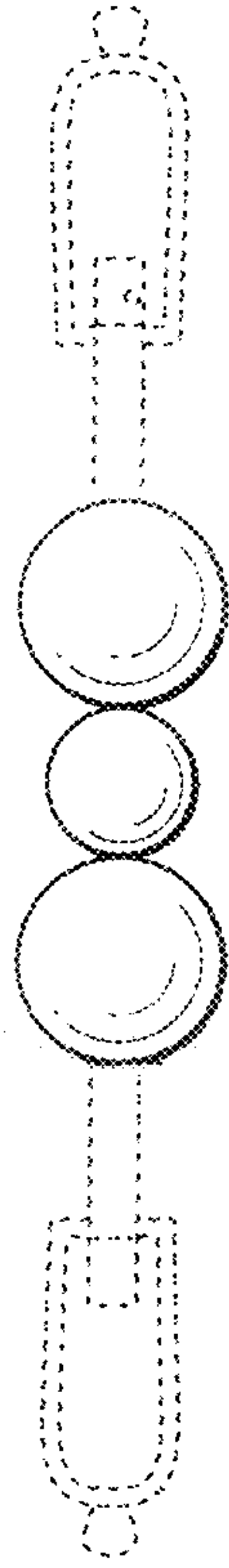


FIG. 3



FIG. 4

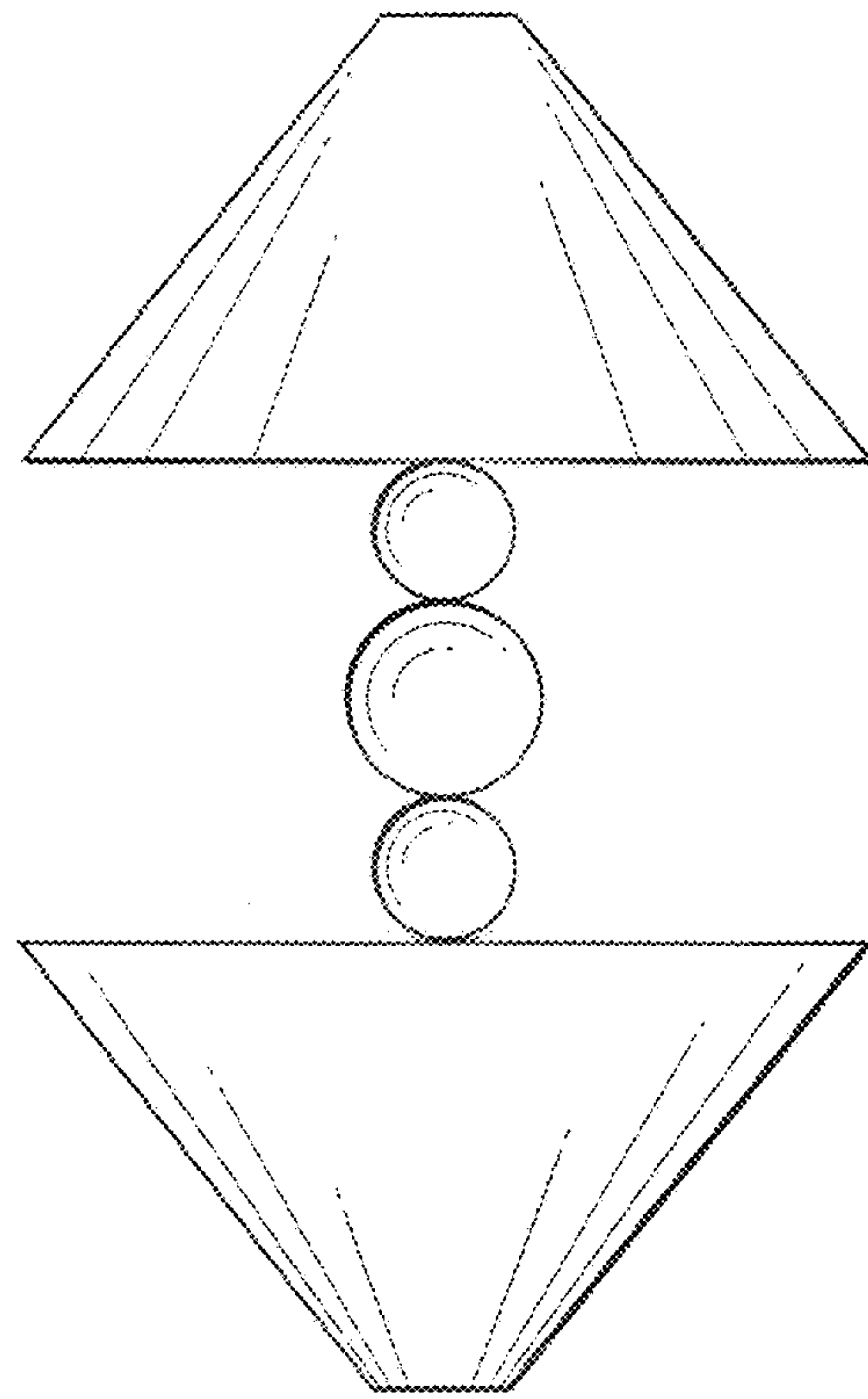


FIG. 5

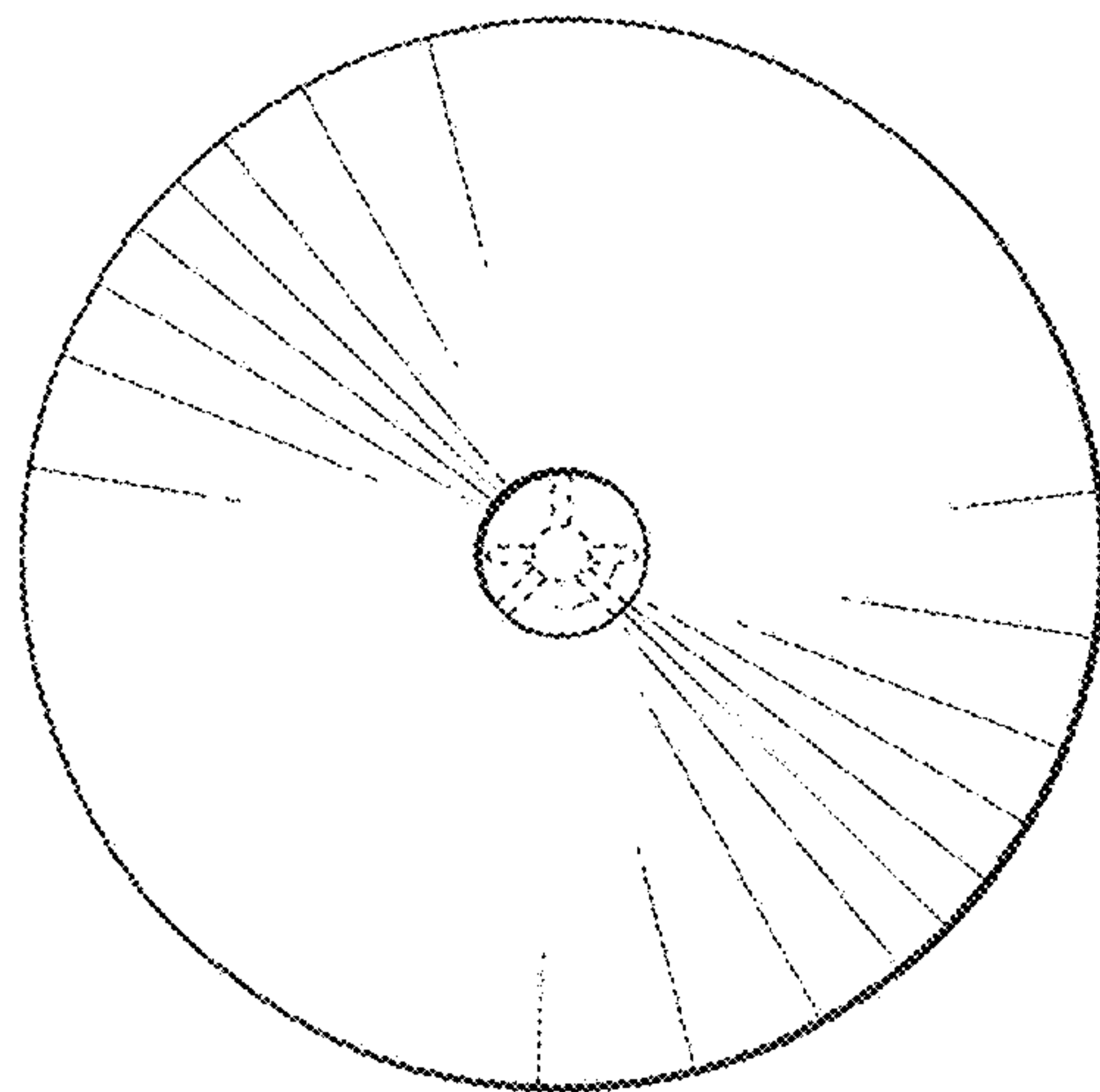


FIG. 6

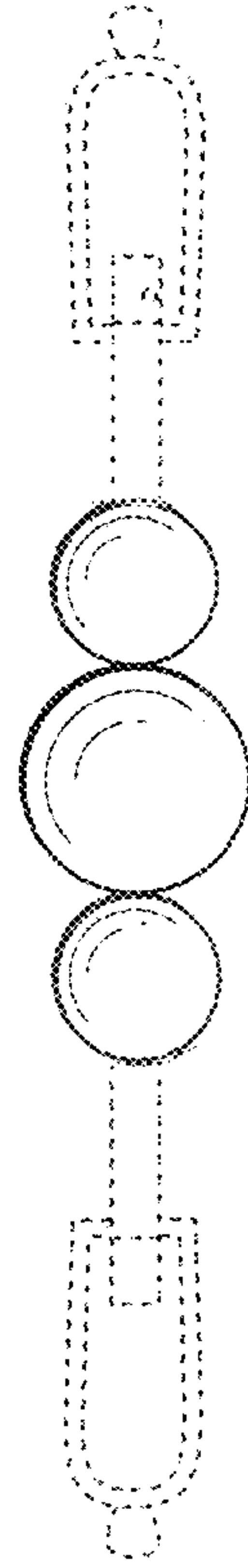


FIG. 7



FIG. 8