

US00D816885S

(12) **United States Design Patent**
Tsai

(10) **Patent No.:** **US D816,885 S**

(45) **Date of Patent:** **** May 1, 2018**

(54) **LAMP**

(71) Applicant: **Tsung-Han Tsai**, New Taipei (TW)

(72) Inventor: **Tsung-Han Tsai**, New Taipei (TW)

(**) Term: **15 Years**

(21) Appl. No.: **29/576,388**

(22) Filed: **Sep. 2, 2016**

(51) **LOC (11) Cl.** **26-03**

(52) **U.S. Cl.**
USPC **D26/107**

(58) **Field of Classification Search**
USPC D26/24, 62, 63, 65, 93, 106, 107
CPC F21S 6/00; F21S 6/002; F21S 6/004; F21S
6/005; F21S 6/008; F21S 8/08; F21V
21/02; F21V 21/14; F21W 2131/30
See application file for complete search history.

(56) **References Cited**

U.S. PATENT DOCUMENTS

- D413,999 S * 9/1999 Diaz-Azcuy D26/110
- D420,758 S * 2/2000 Yang D26/106
- D426,907 S * 6/2000 Swanson D26/65

- D428,178 S * 7/2000 Swanson D26/62
- D437,444 S * 2/2001 Swanson D26/65
- D488,253 S * 4/2004 Chen D26/128
- D616,586 S * 5/2010 Sabernig D26/63
- D737,496 S * 8/2015 Swanson D26/65

* cited by examiner

Primary Examiner — Brian N. Vinson

(74) *Attorney, Agent, or Firm* — Rosenberg, Klein & Lee

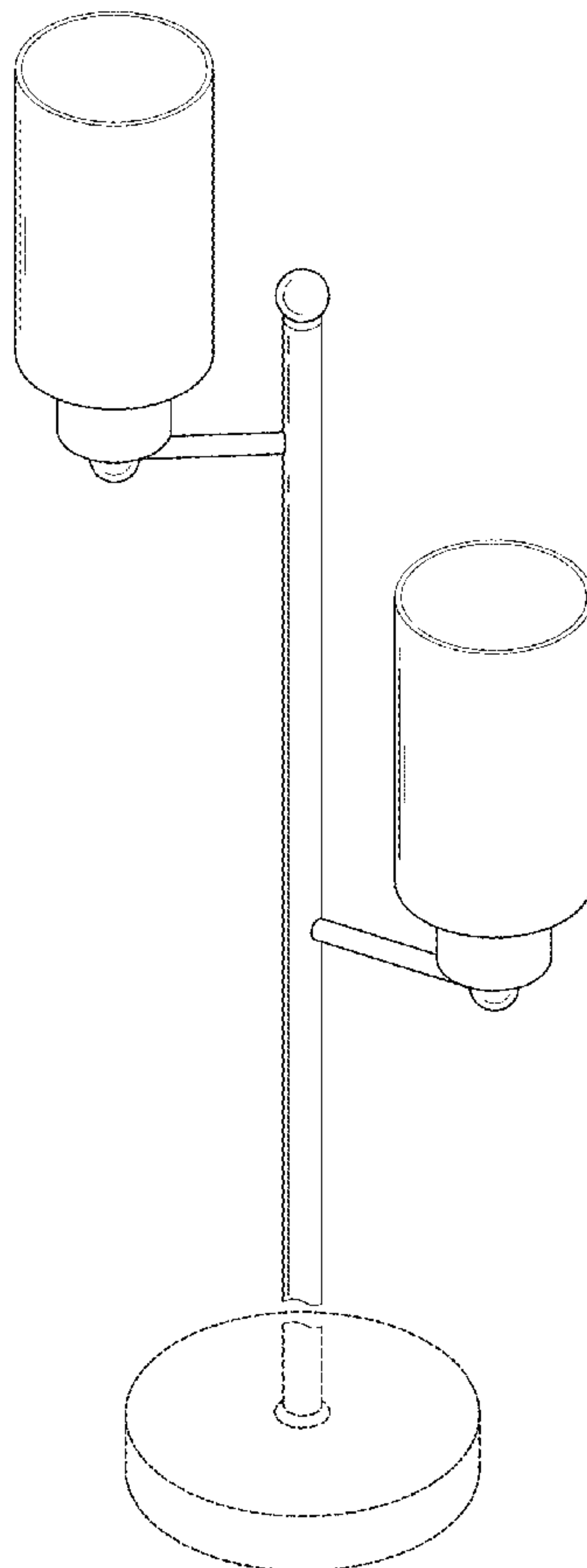
(57) **CLAIM**

The ornamental design for a lamp, as shown and described.

DESCRIPTION

FIG. 1 is a perspective view of a lamp showing my new design;
 FIG. 2 is a front elevation view thereof;
 FIG. 3 is a rear elevation view thereof;
 FIG. 4 is a left side elevation view thereof;
 FIG. 5 is a right side elevation view thereof;
 FIG. 6 is a top plan view thereof; and,
 FIG. 7 is a bottom plan view thereof.
 The broken lines in the drawings illustrate portions of the lamp which form no part of the claimed design.

1 Claim, 6 Drawing Sheets



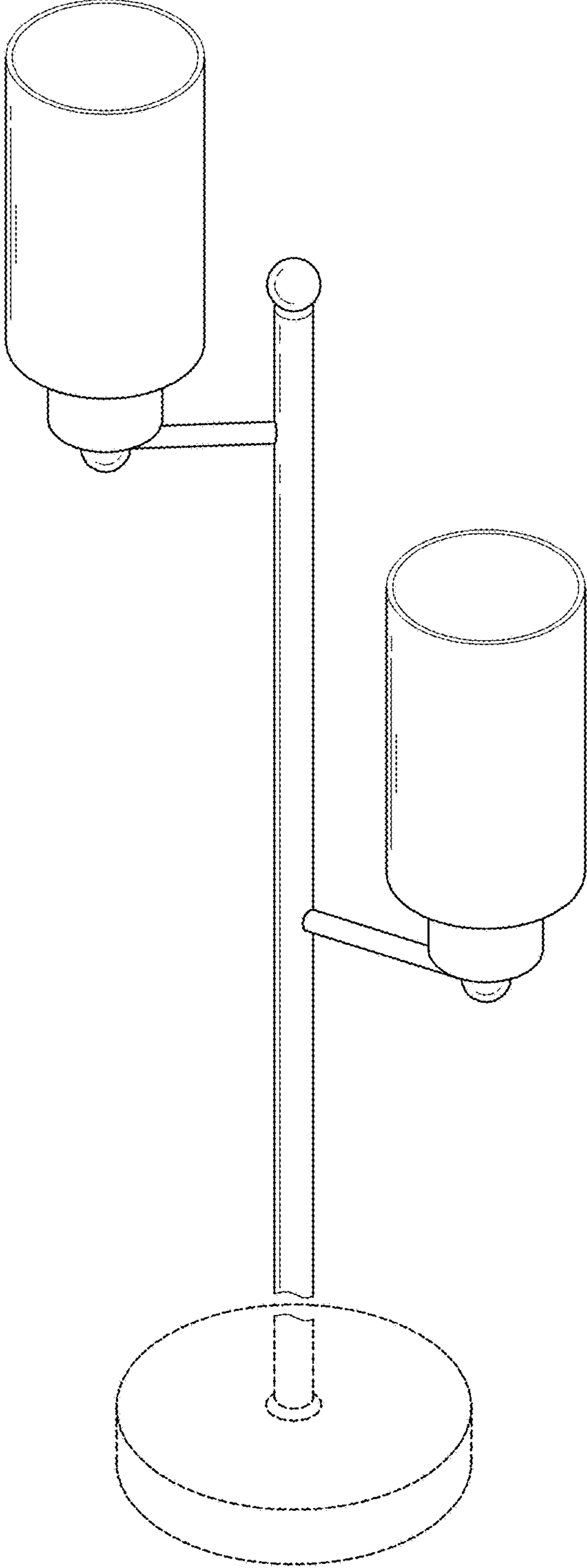


FIG.1

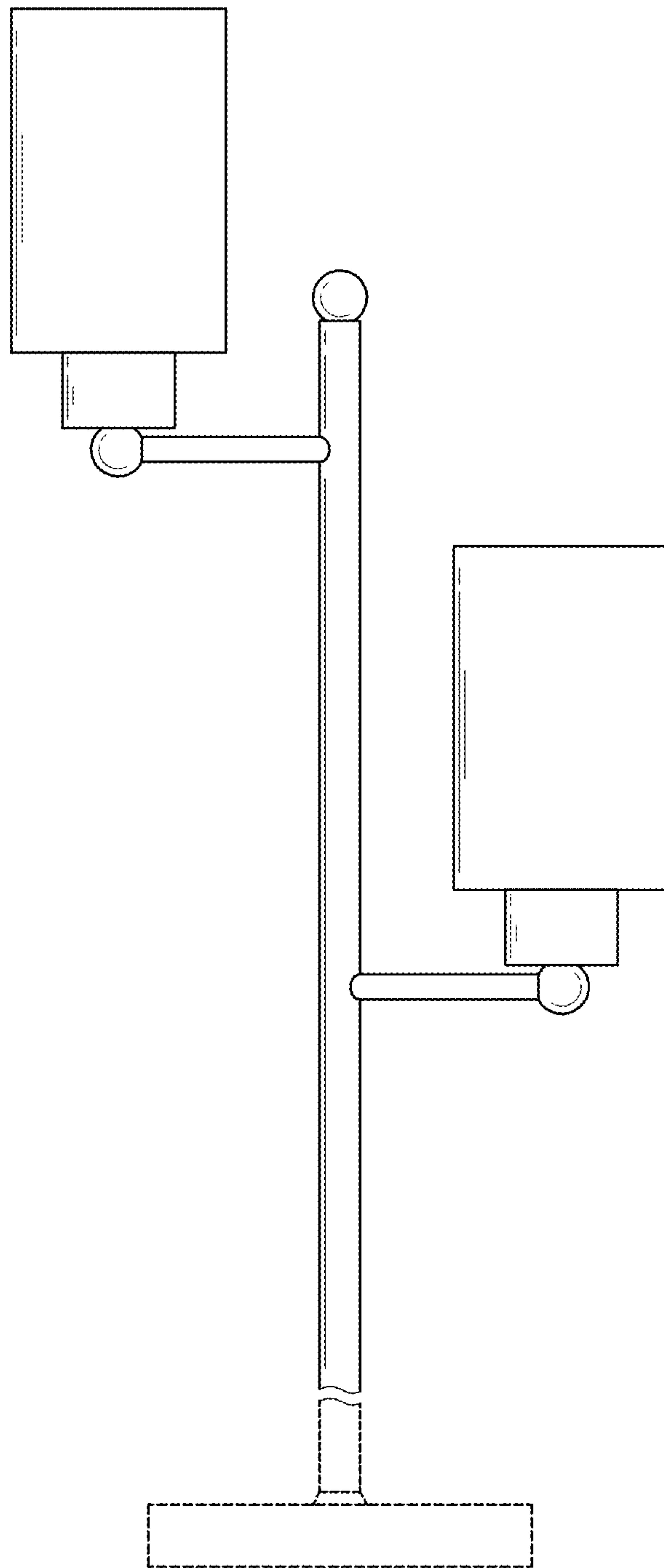


FIG. 2

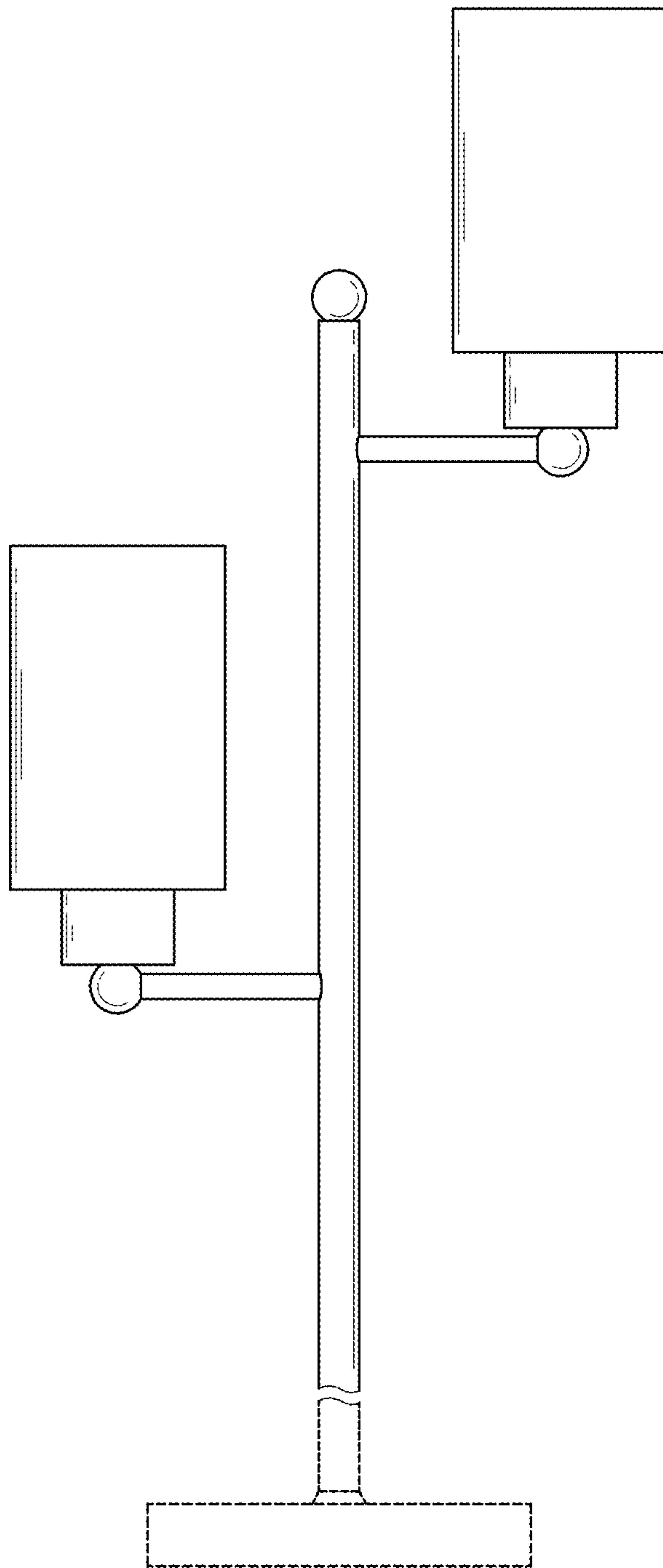


FIG.3

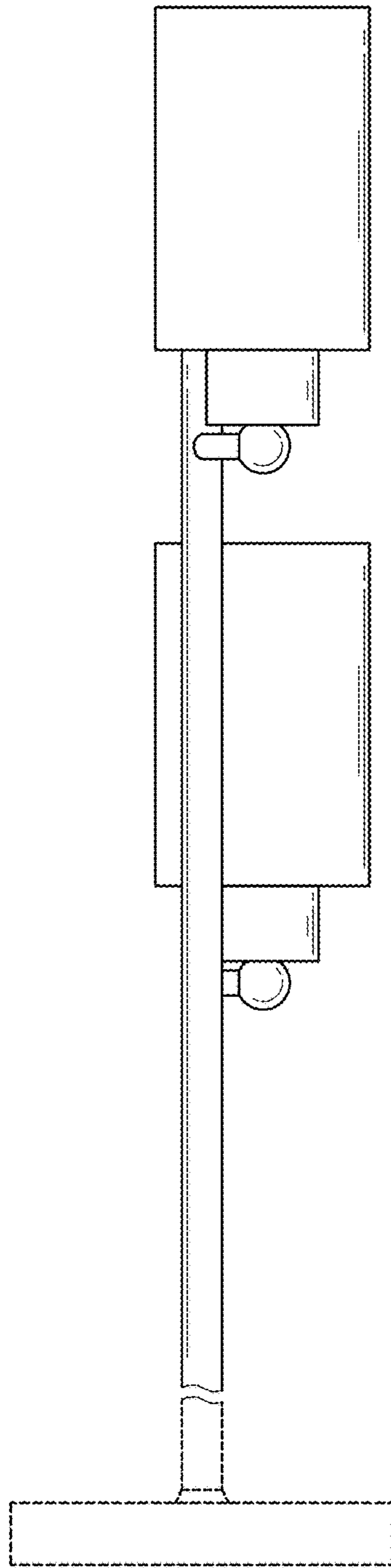


FIG.4

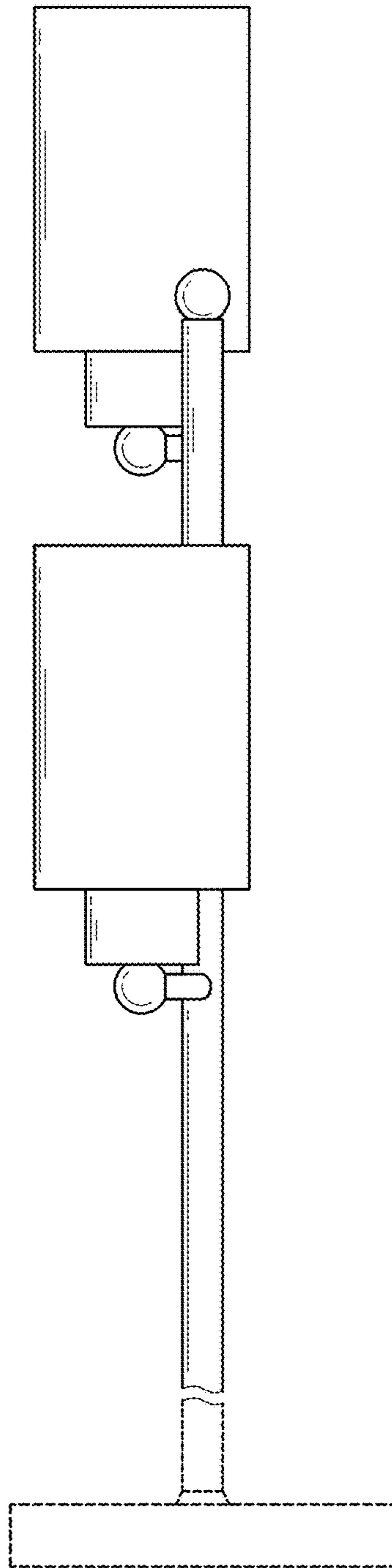


FIG. 5

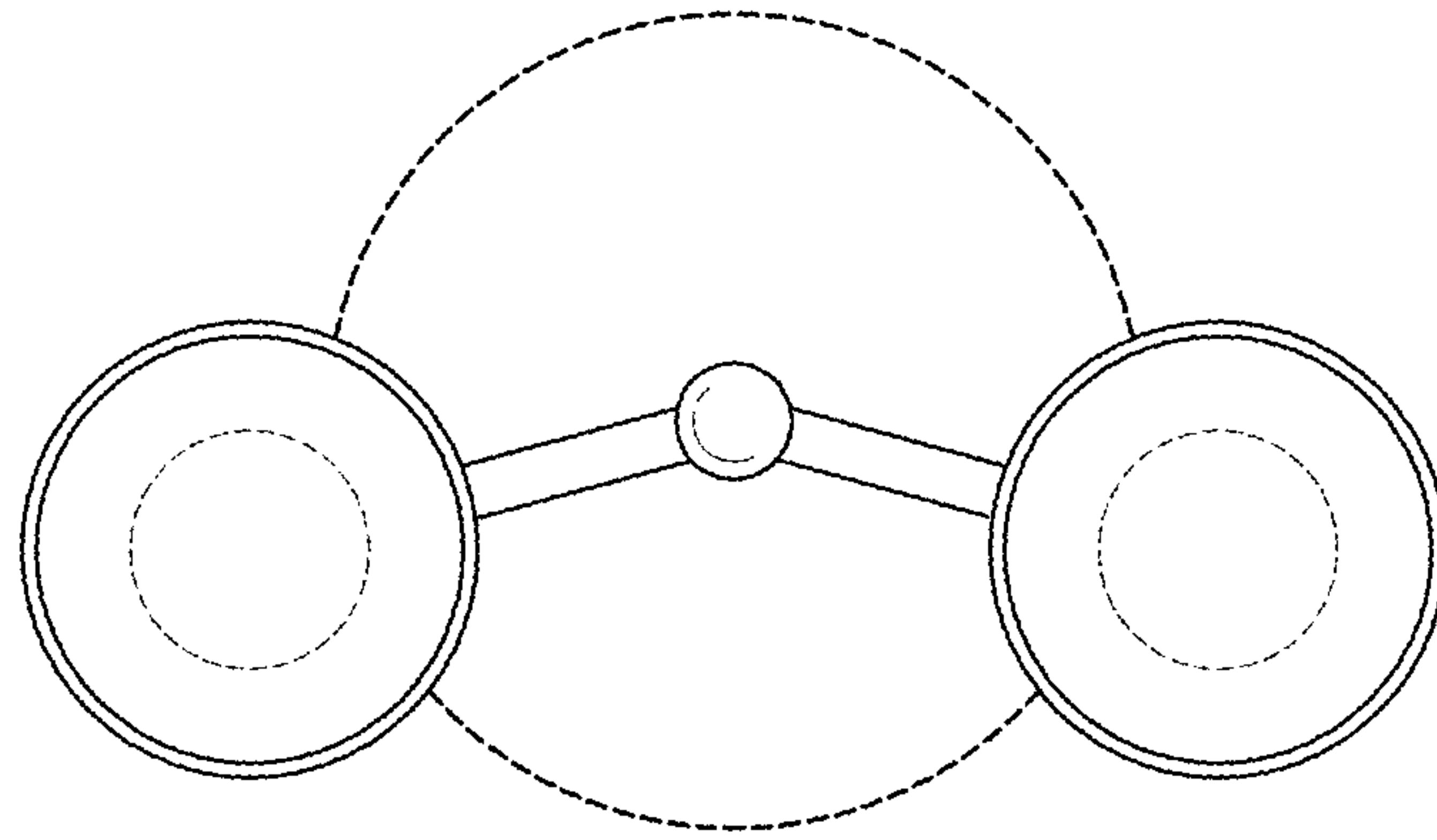


FIG. 6

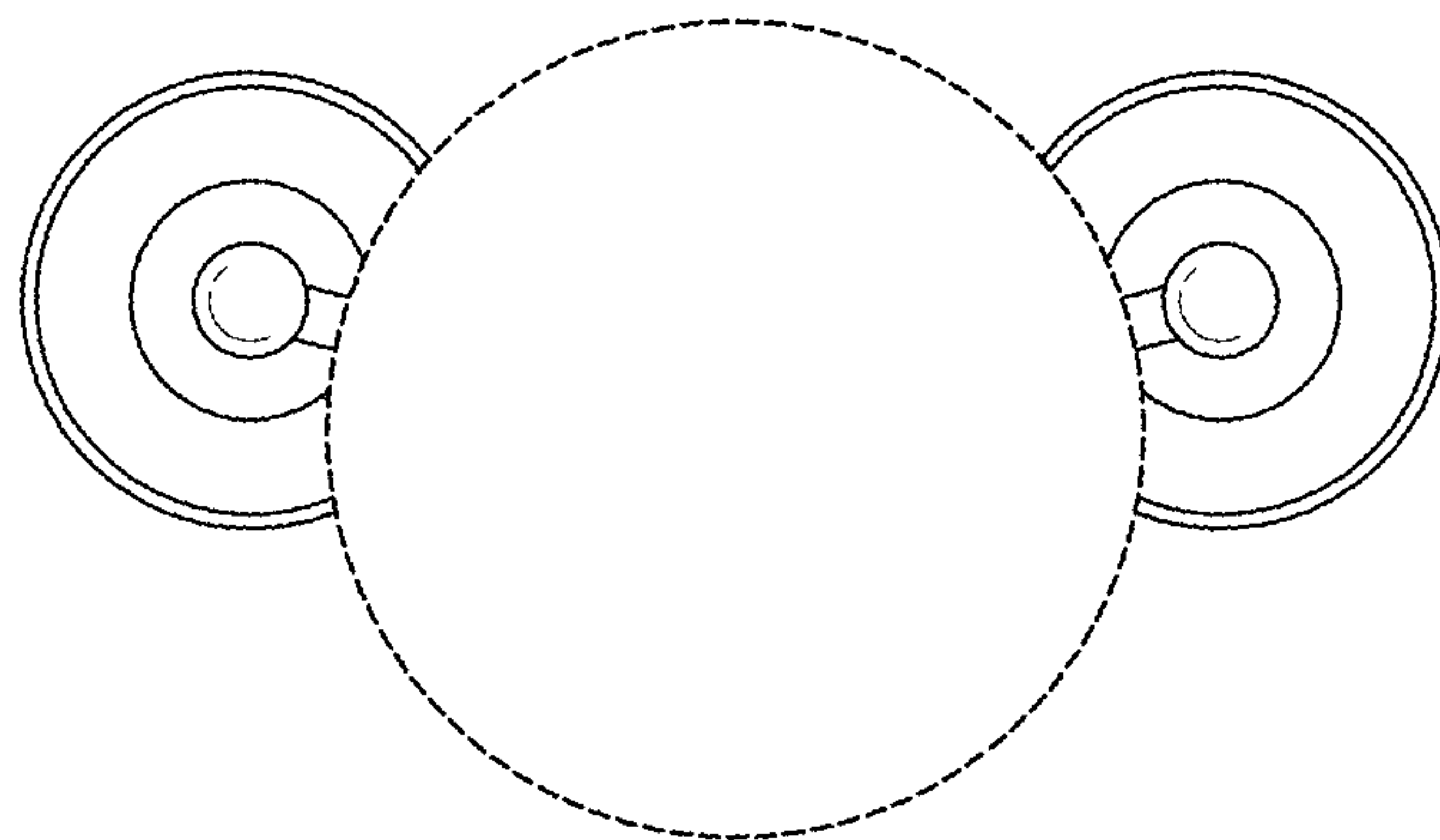


FIG. 7