



US00D816883S

(12) **United States Design Patent**
Mou

(10) **Patent No.:** **US D816,883 S**

(45) **Date of Patent:** **** May 1, 2018**

(54) **LIGHT-EMITTING DIODE WALL LAMP**

(71) Applicant: **NINGBO ROYALUX LIGHTING CO., LTD.**, Ningbo, Zhejiang (CN)

(72) Inventor: **Jinhong Mou**, Zhejiang (CN)

(73) Assignee: **NINGBO ROYALUX LIGHTING CO., LTD.**, Ningbo, Zhejiang (CN)

(**) Term: **15 Years**

(21) Appl. No.: **29/568,303**

(22) Filed: **Jun. 16, 2016**

(30) **Foreign Application Priority Data**

Mar. 18, 2016 (CN) 2016 3 0086713

(51) **LOC (11) Cl.** **26-03**

(52) **U.S. Cl.**
USPC **D26/87; D26/92**

(58) **Field of Classification Search**
USPC D26/67, 72, 85, 87, 92; D10/106.6,
D10/106.8

CPC F21S 8/03; F21S 8/033; F21S 8/036; F21S
8/037; F21S 9/022; F21S 9/024; F21S
9/03; F21S 9/035; F21S 9/037; F21W
2131/107

See application file for complete search history.

(56) **References Cited**

U.S. PATENT DOCUMENTS

3,837,607 A * 9/1974 Hesse F21S 8/033
248/278.1

D285,665 S * 9/1986 Green D10/106.6

D292,531 S * 10/1987 Van Deelen D26/87
5,055,984 A * 10/1991 Hung F21S 8/081
136/291
D471,307 S * 3/2003 Yung D26/67
D574,535 S * 8/2008 Sanoner D26/67
D574,537 S * 8/2008 Sanoner D26/67
D574,538 S * 8/2008 Sanoner D26/67
D694,459 S * 11/2013 Fang D26/87
D739,589 S * 9/2015 Macura D26/67
D765,296 S * 8/2016 Wei D26/60
2015/0330600 A1 * 11/2015 Albanese F21S 8/033
362/297
2016/0327233 A1 * 11/2016 Wei F21S 9/037

* cited by examiner

Primary Examiner — Clare E Heflin

(74) *Attorney, Agent, or Firm* — U.S. Fairsky LLP; Yue Xu

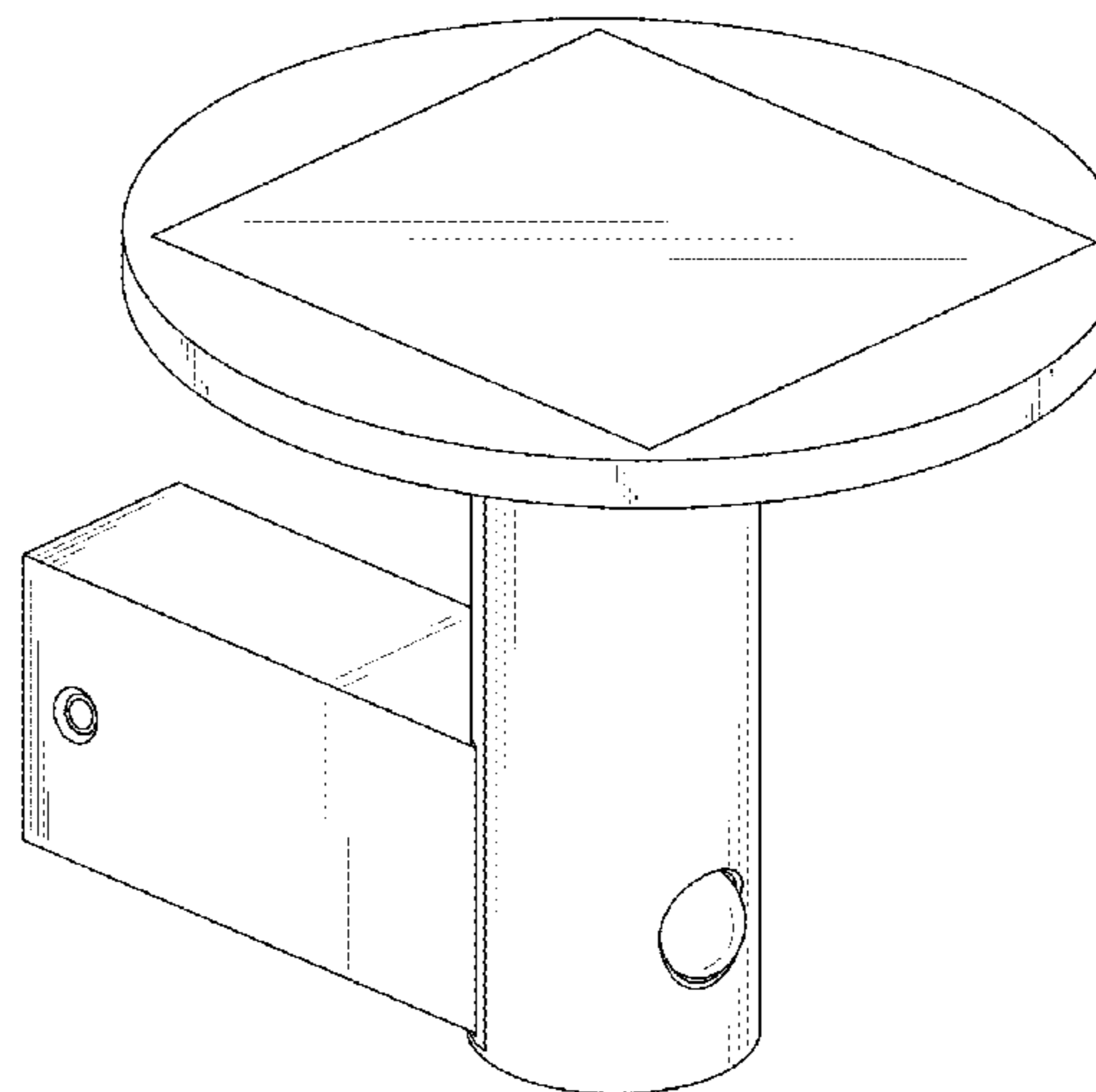
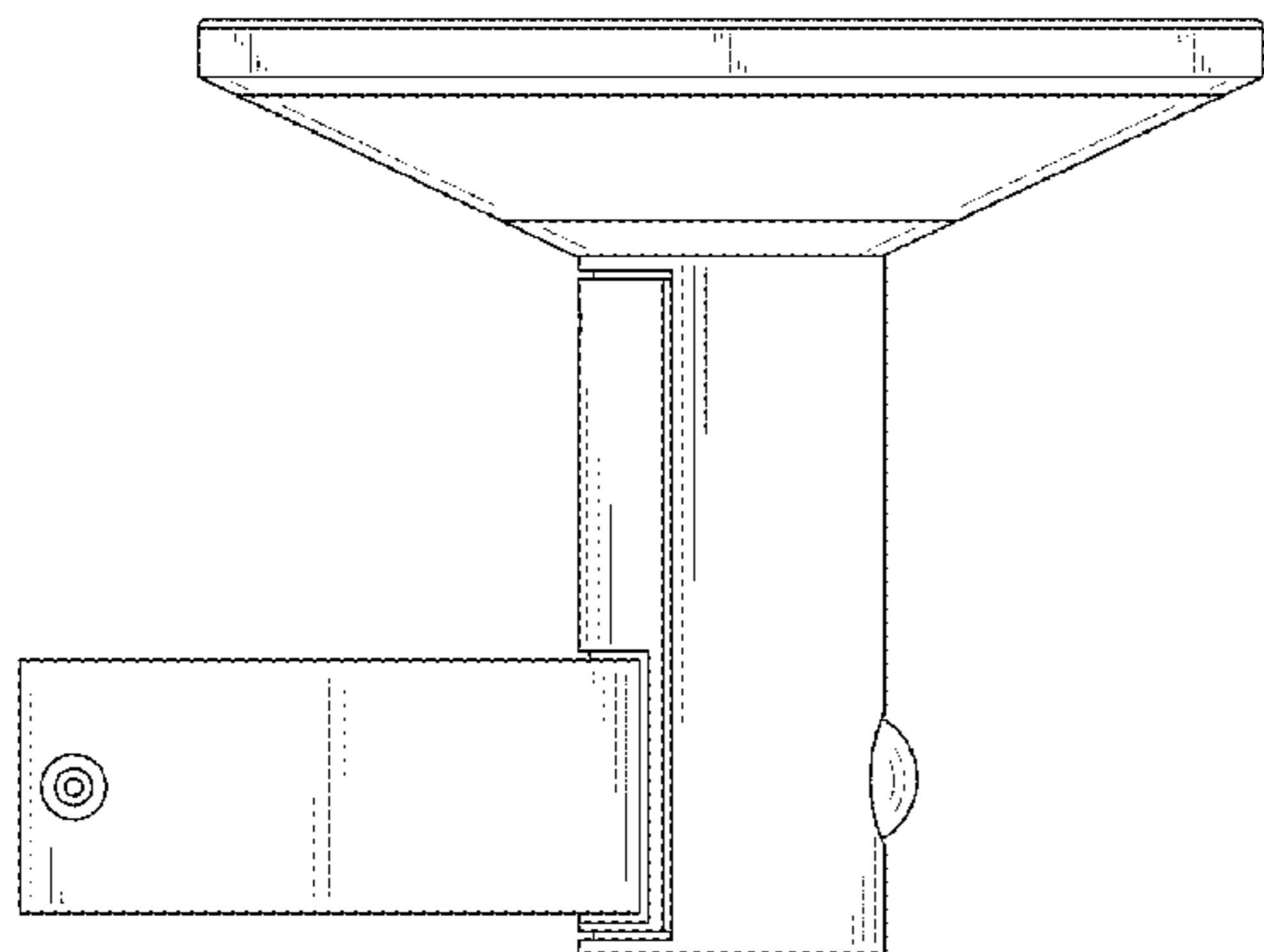
(57) **CLAIM**

The ornamental design for a light-emitting diode wall lamp, as shown and described.

DESCRIPTION

FIG. 1 is a front elevation view of the light-emitting diode wall lamp showing the new design; FIG. 2 is a rear elevation view thereof; FIG. 3 is a left side elevation view thereof; FIG. 4 is a right side elevation view thereof; FIG. 5 is a top plan view thereof; FIG. 6 is a bottom plan view thereof; and, FIG. 7 is a perspective view thereof.

1 Claim, 7 Drawing Sheets



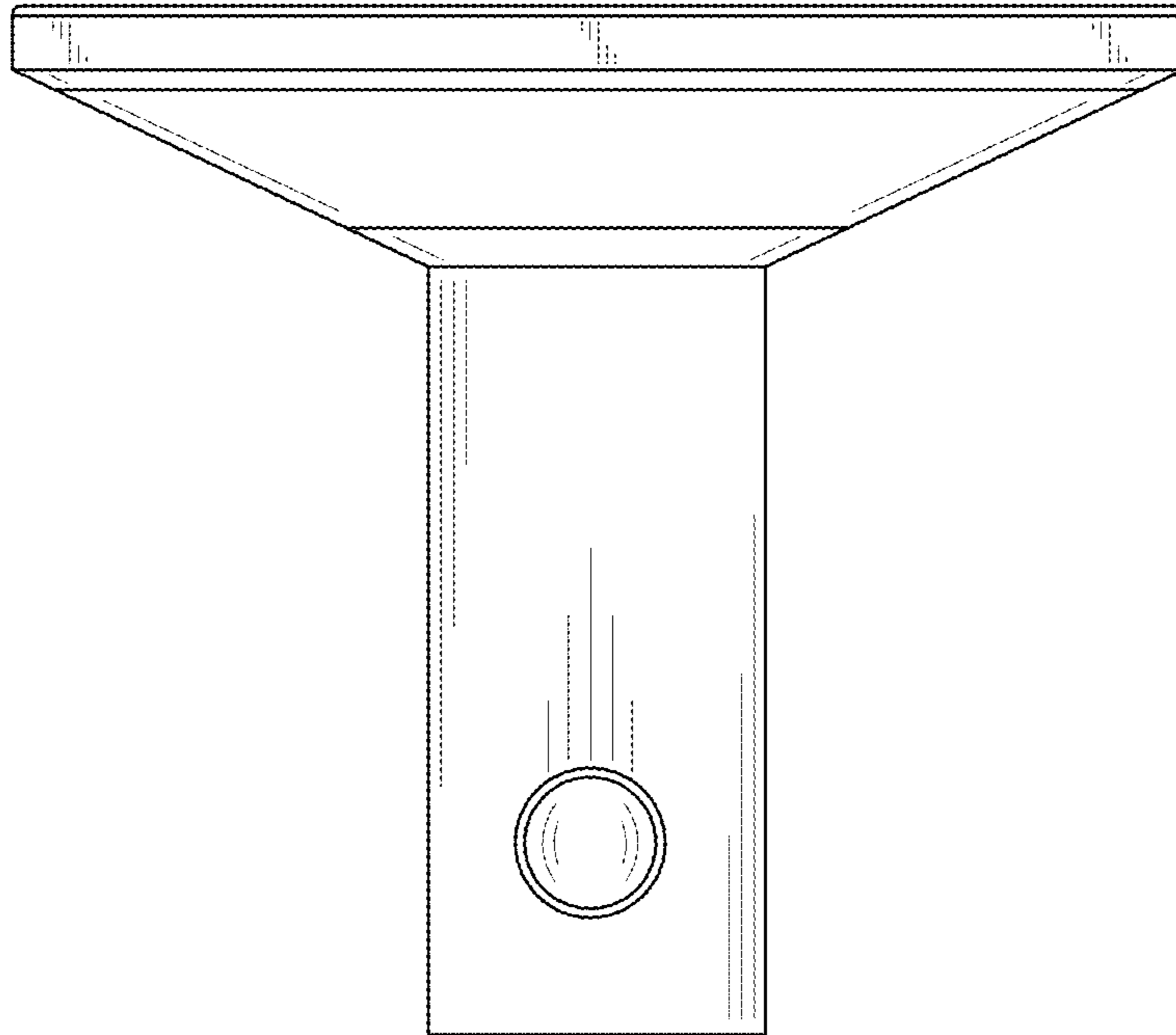


FIG. 1

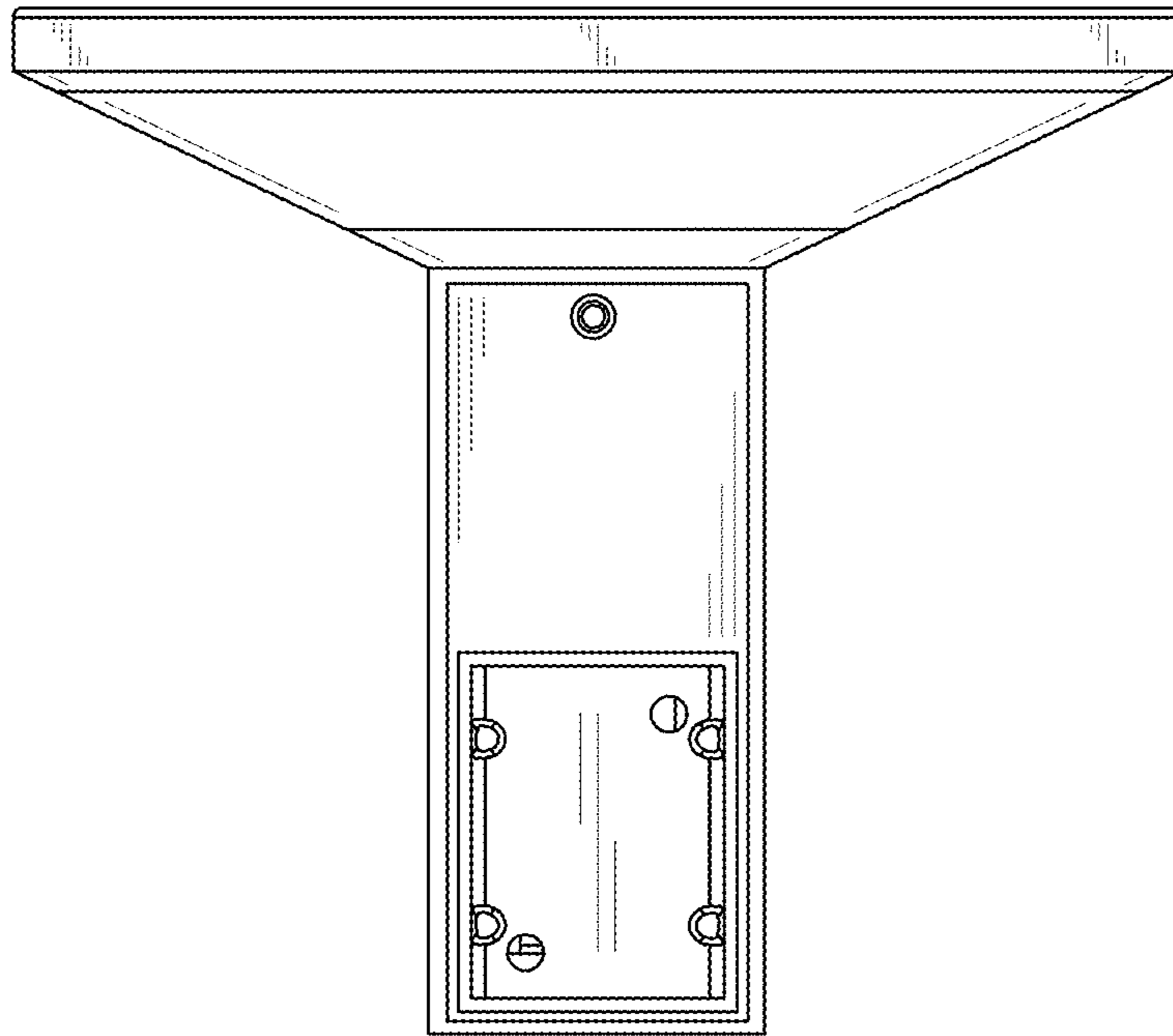


FIG. 2

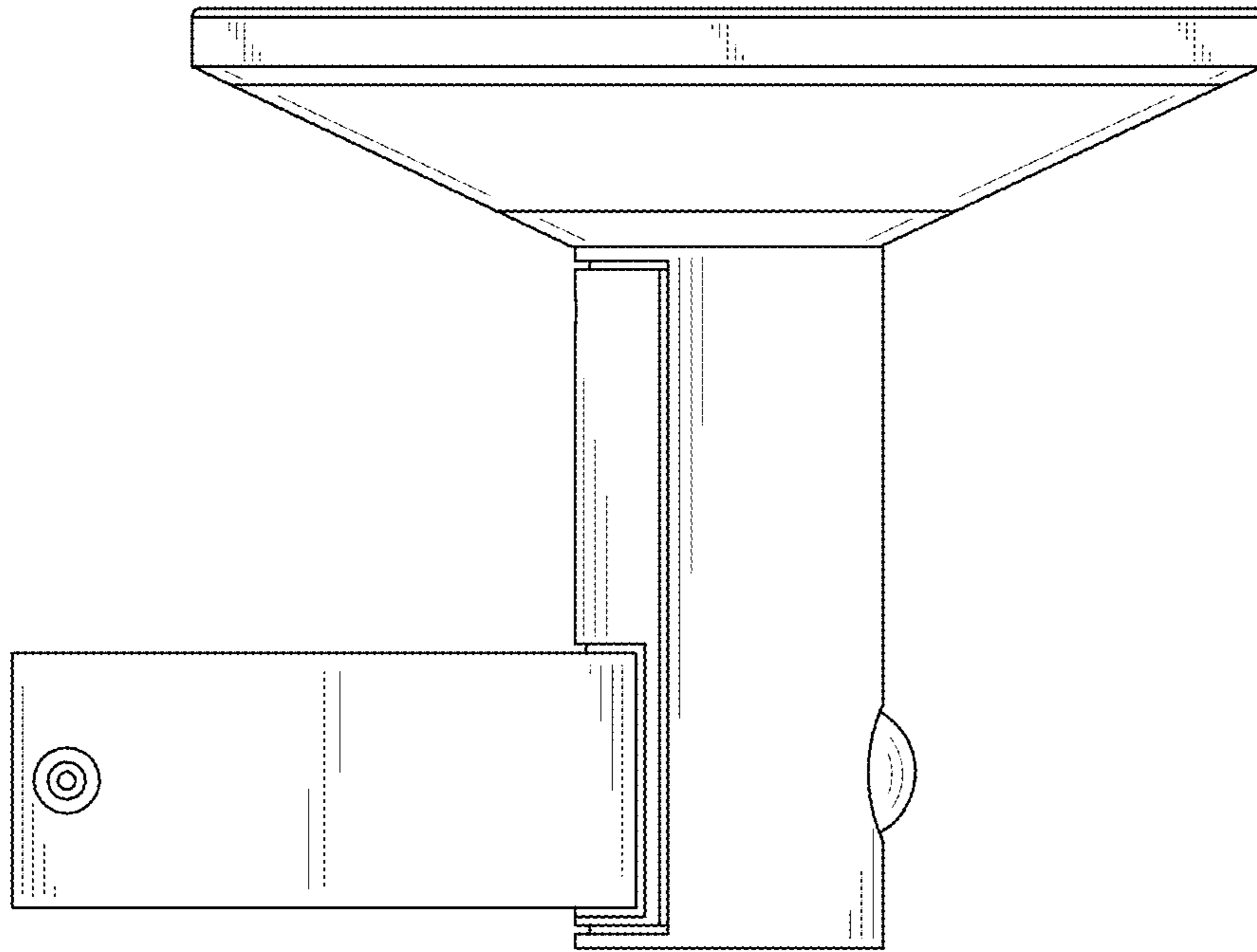


FIG. 3

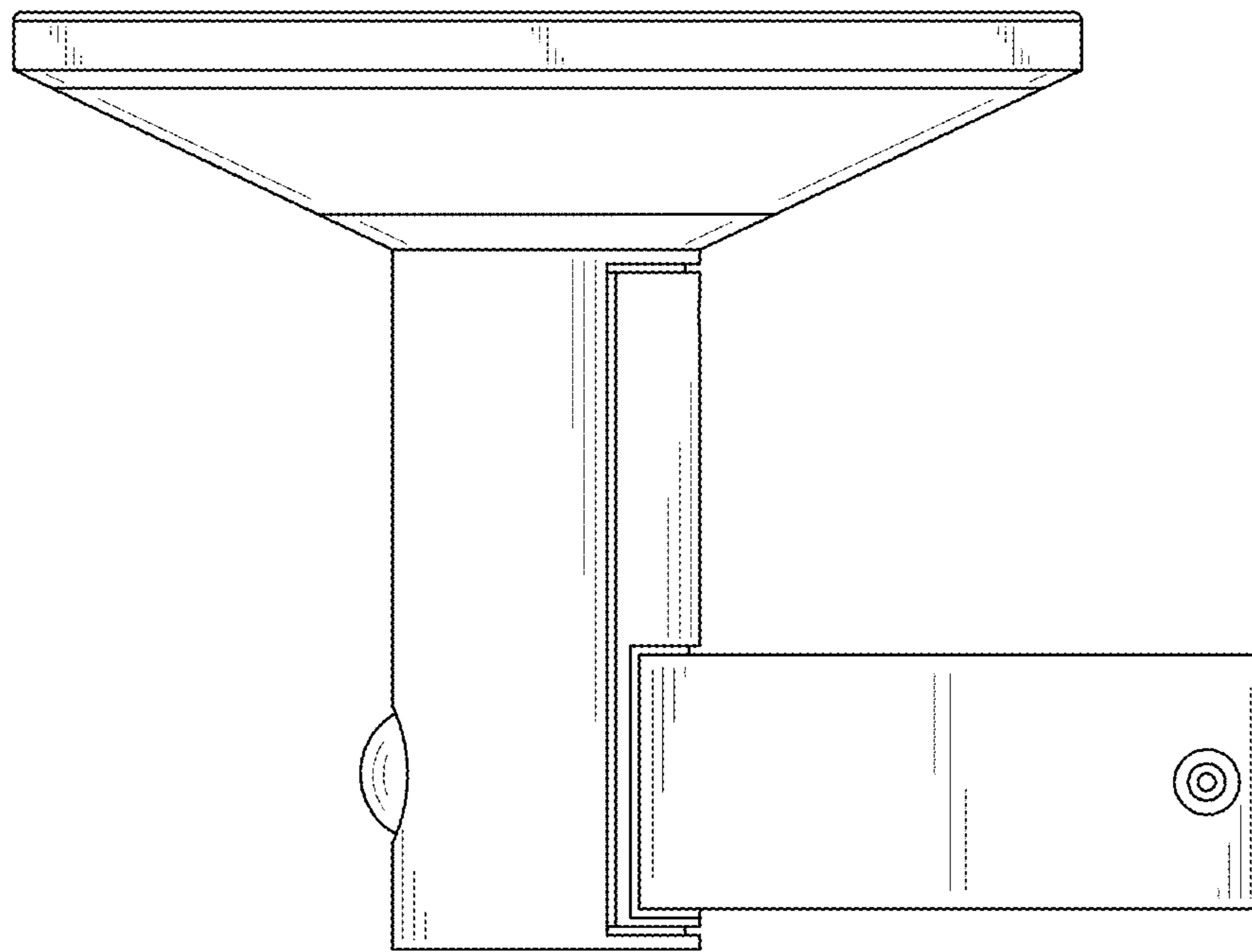


FIG. 4

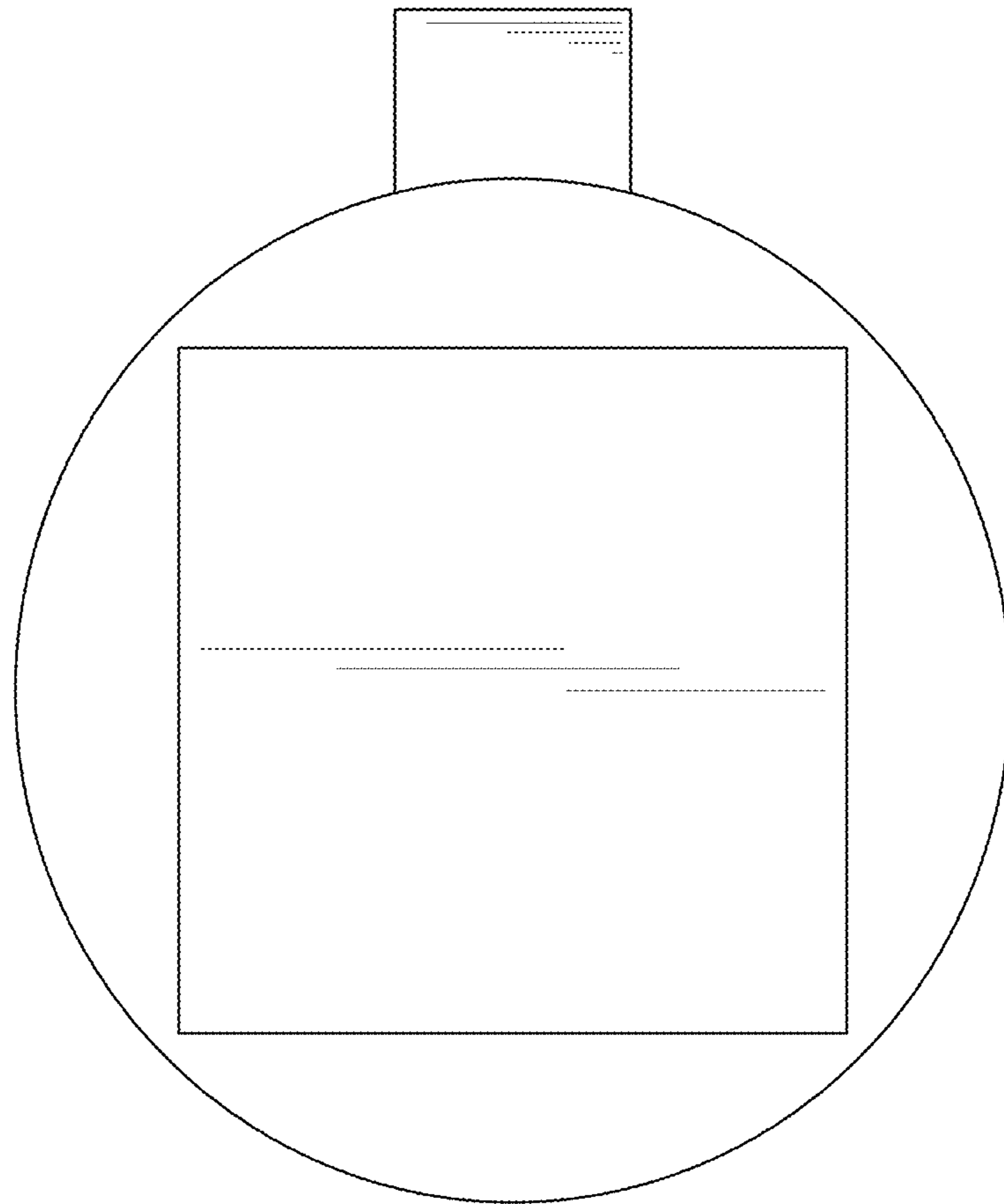


FIG. 5

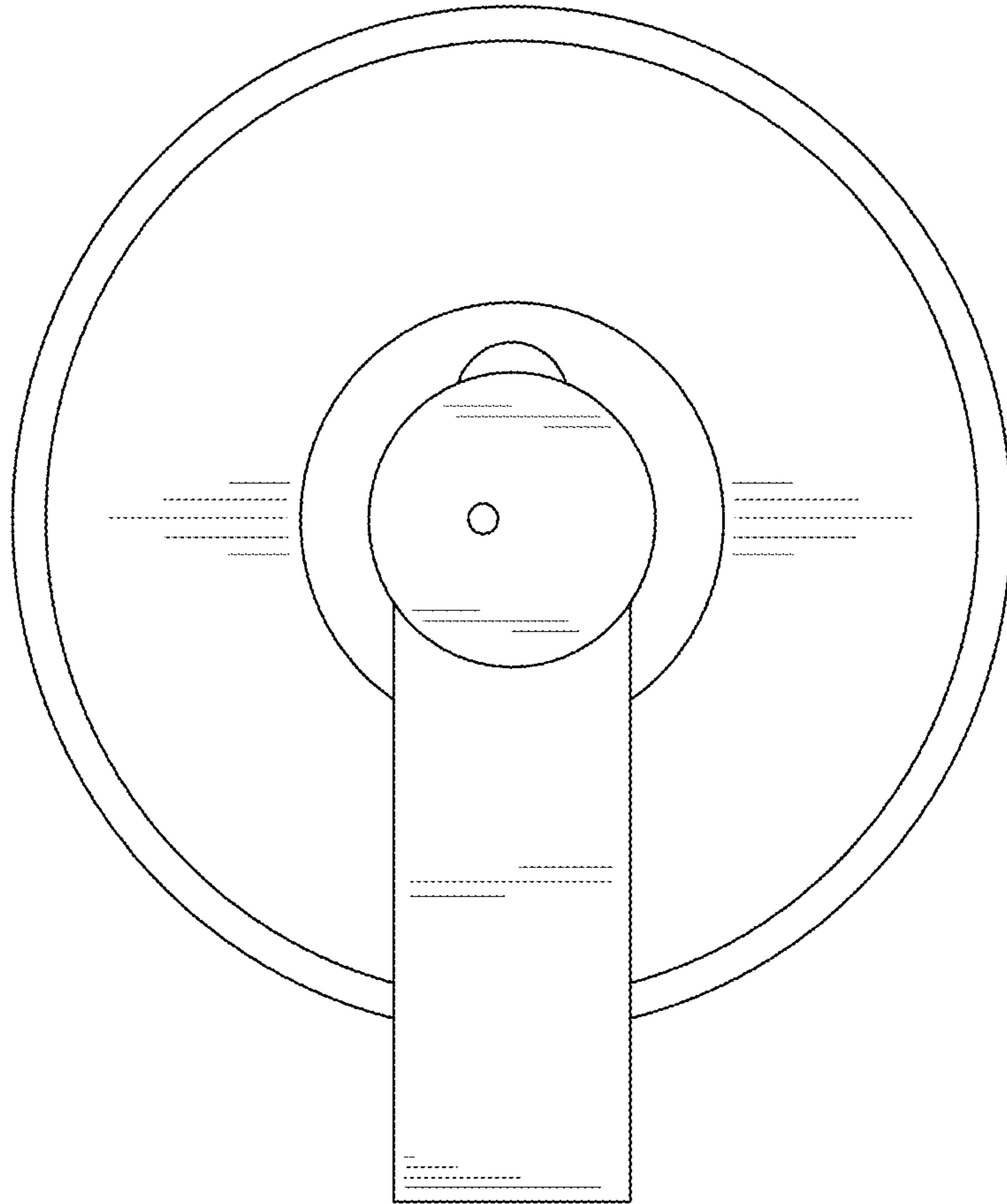


FIG. 6

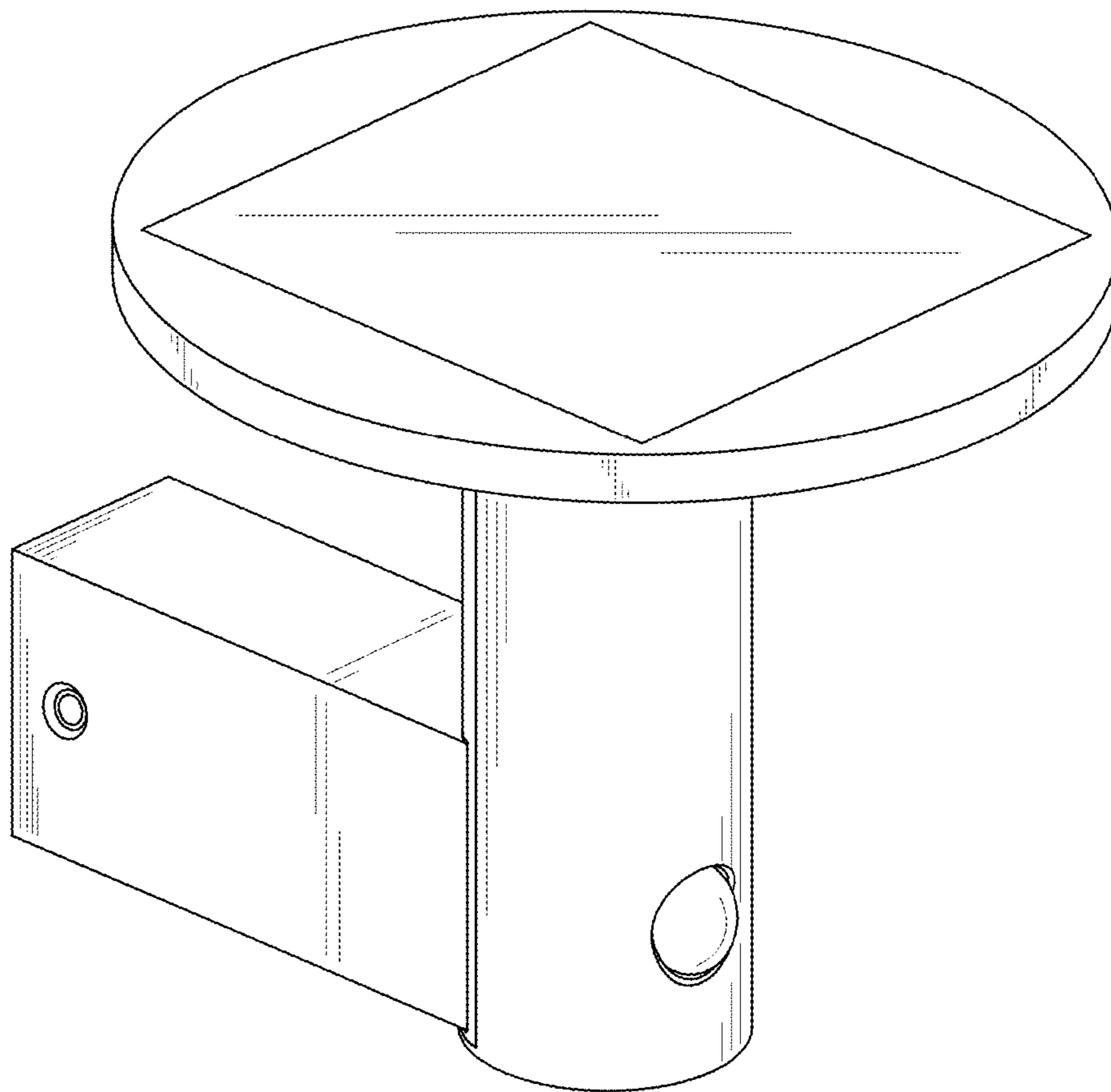


FIG. 7