

US00D816882S

(12) **United States Design Patent** (10) **Patent No.:** **US D816,882 S**  
**Qiao** (45) **Date of Patent:** **\*\* May 1, 2018**

(54) **LAMP**  
(71) Applicant: **Jianghui Qiao**, Hebei (CN)  
(72) Inventor: **Jianghui Qiao**, Hebei (CN)  
(\*\*) Term: **15 Years**  
(21) Appl. No.: **29/597,443**  
(22) Filed: **Mar. 17, 2017**  
(51) **LOC (11) Cl.** ..... **26-05**  
(52) **U.S. Cl.**  
USPC ..... **D26/86**  
(58) **Field of Classification Search**  
USPC ..... D26/72, 80-89, 92, 61, 62, 63, 64, 66  
CPC .. F21S 8/033; F21S 8/036; F21S 8/038; F21S  
8/066; F21S 9/037; F21S 4/20; F21S  
4/28; F21W 2121/004; F21W 2131/107;  
F21V 7/0083  
See application file for complete search history.

(56) **References Cited**  
U.S. PATENT DOCUMENTS  
D501,060 S \* 1/2005 Lee ..... D26/80  
D608,488 S \* 1/2010 Miranda ..... D26/86  
D630,365 S \* 1/2011 Sabernig ..... D26/84  
D655,844 S \* 3/2012 Sabernig ..... D26/63  
D661,007 S \* 5/2012 Sabernig ..... D26/63

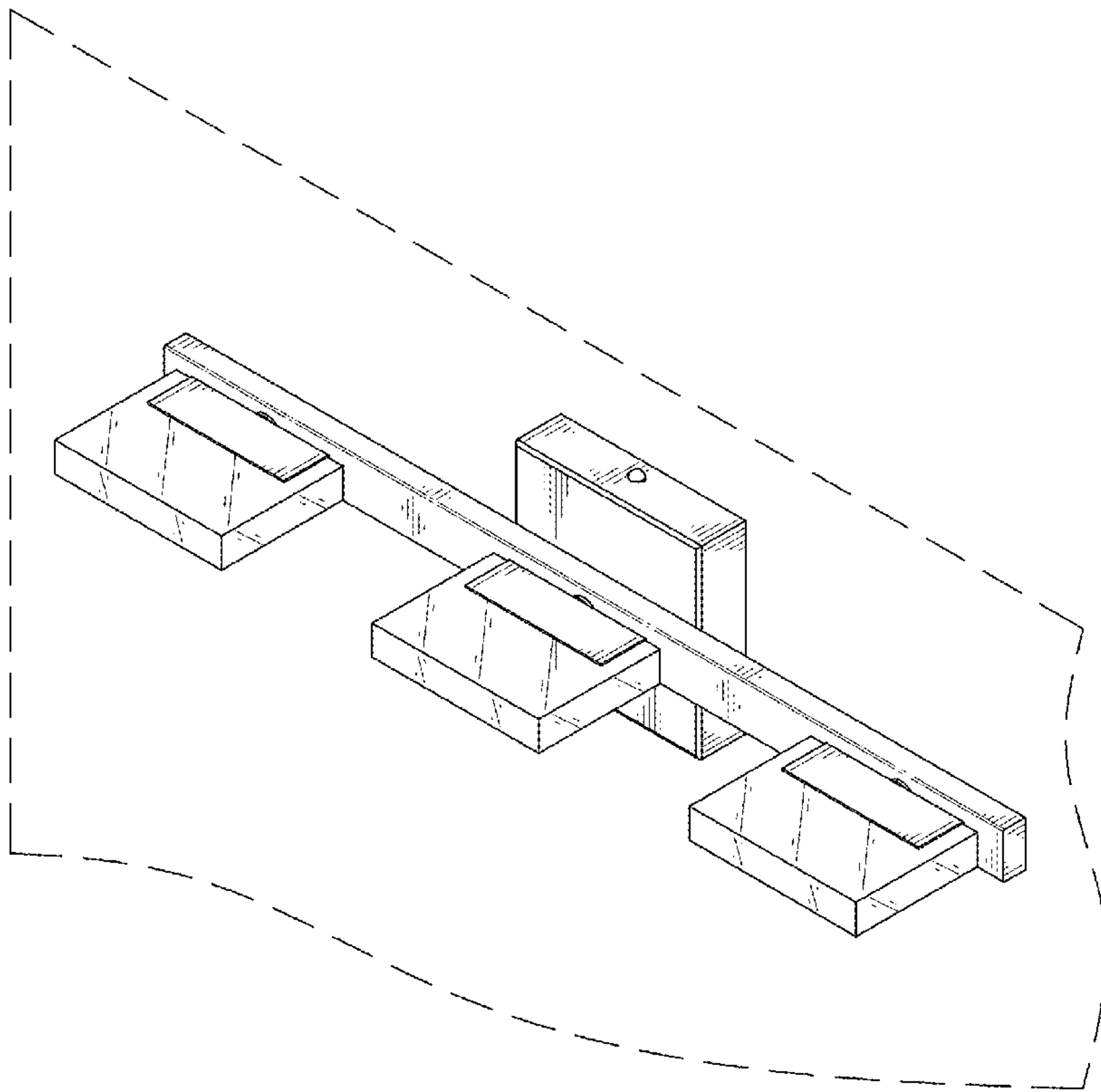
D779,696 S \* 2/2017 Cicero ..... D26/63  
2013/0077295 A1\* 3/2013 Hayashi ..... F21V 29/00  
362/217.05  
2015/0198311 A1\* 7/2015 O'Brien ..... F21S 8/066  
362/220

\* cited by examiner  
*Primary Examiner* — Cathron C Brooks  
(74) *Attorney, Agent, or Firm* — Tony Hom

(57) **CLAIM**  
The ornamental design for a lamp, as shown and described.

**DESCRIPTION**  
FIG. 1 is a first perspective view of a lamp showing my new design;  
FIG. 2 is a second perspective view thereof;  
FIG. 3 is a front elevational view thereof;  
FIG. 4 is a rear elevational view thereof;  
FIG. 5 is a left side view thereof;  
FIG. 6 is a right side view thereof;  
FIG. 7 is a top plan view thereof;  
FIG. 8 is a bottom plan view thereof;  
FIG. 9 is a first perspective view showing the lamp in a use state; and,  
FIG. 10 is a second perspective view showing the lamp in a use state.  
The broken lines in FIGS. 9 and 10 depicting wall form no part of the claimed design. The diagonal lines in the drawings indicate transparency.

**1 Claim, 10 Drawing Sheets**



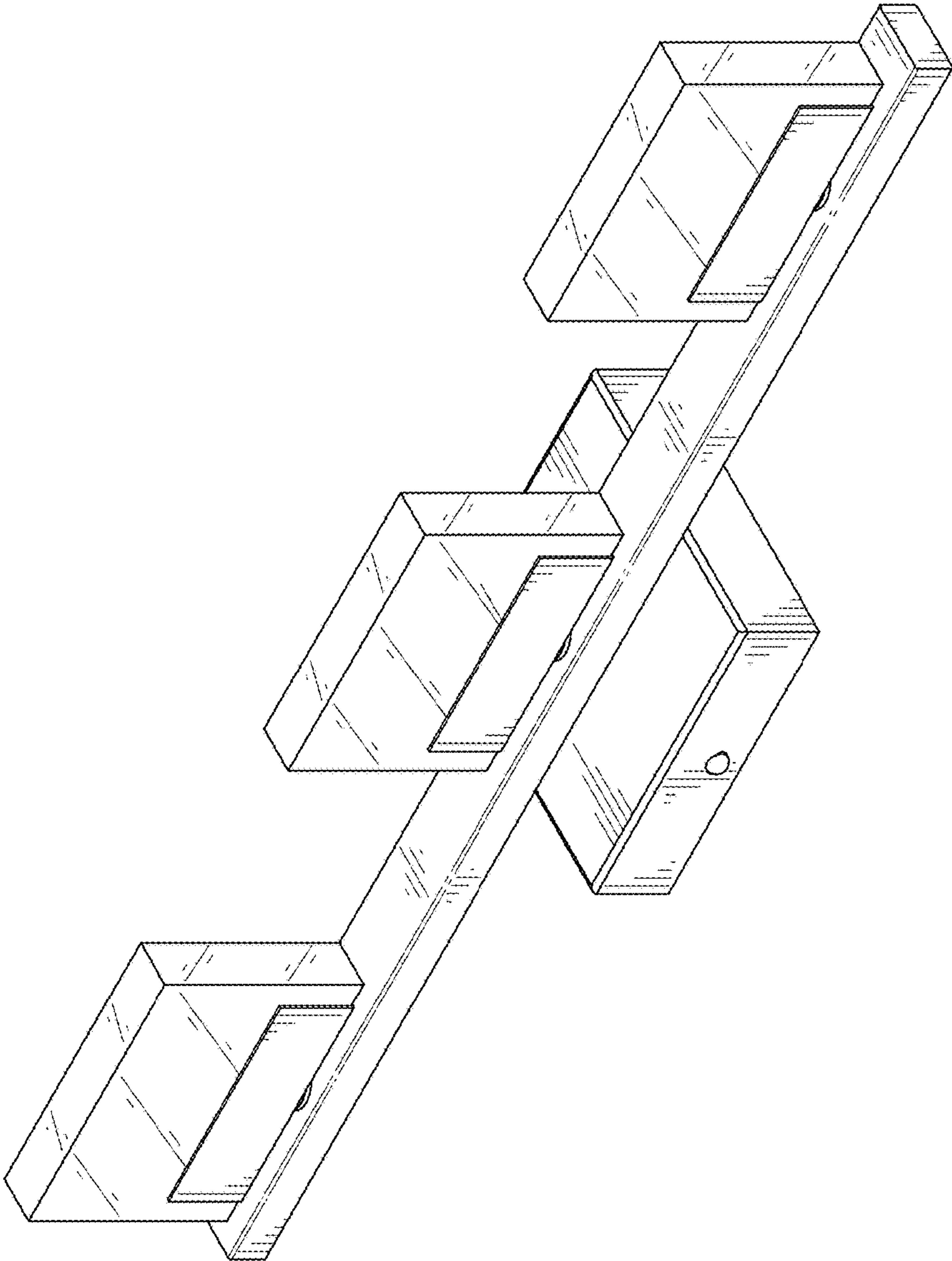


Fig. 1

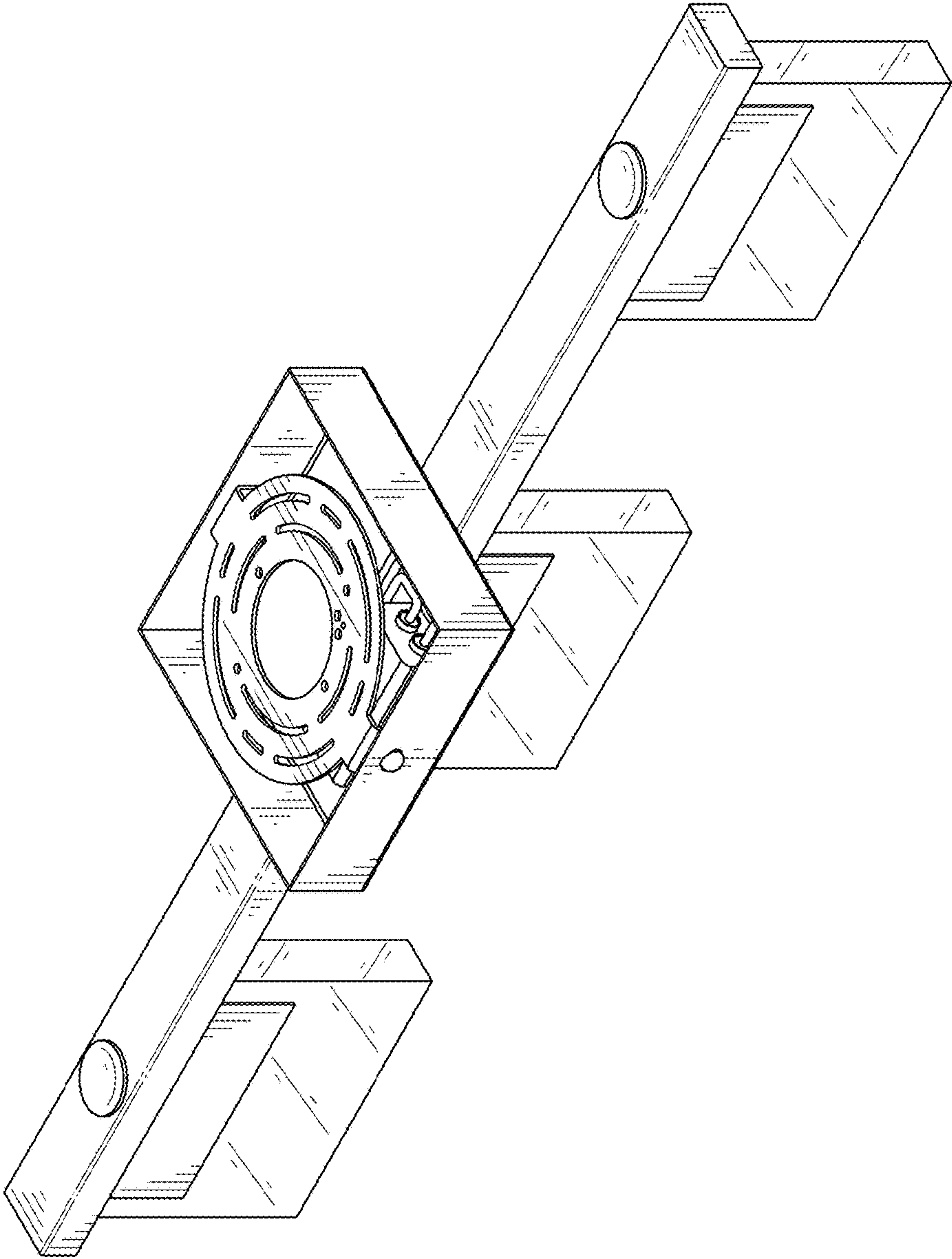


Fig. 2

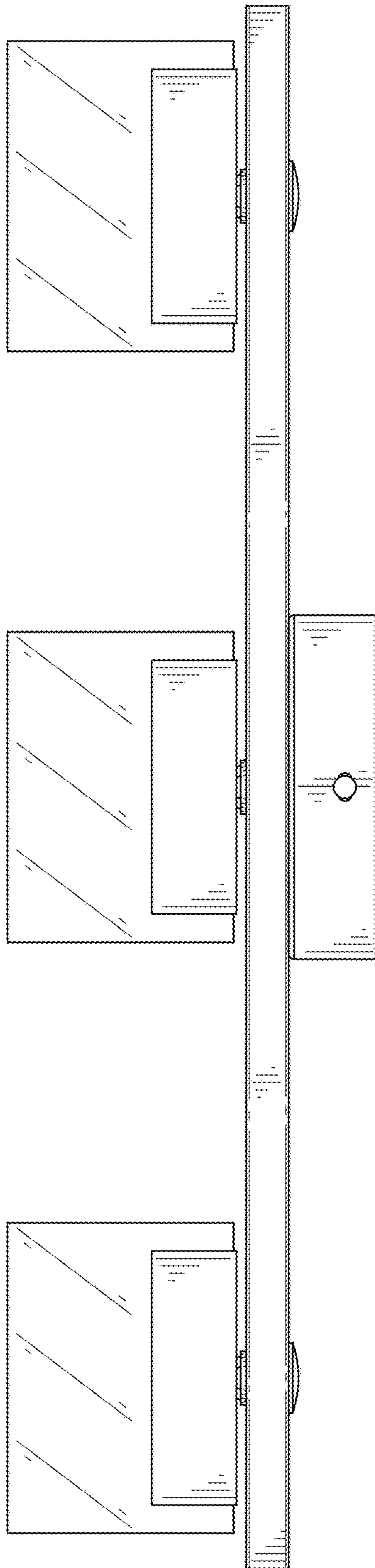


Fig. 3

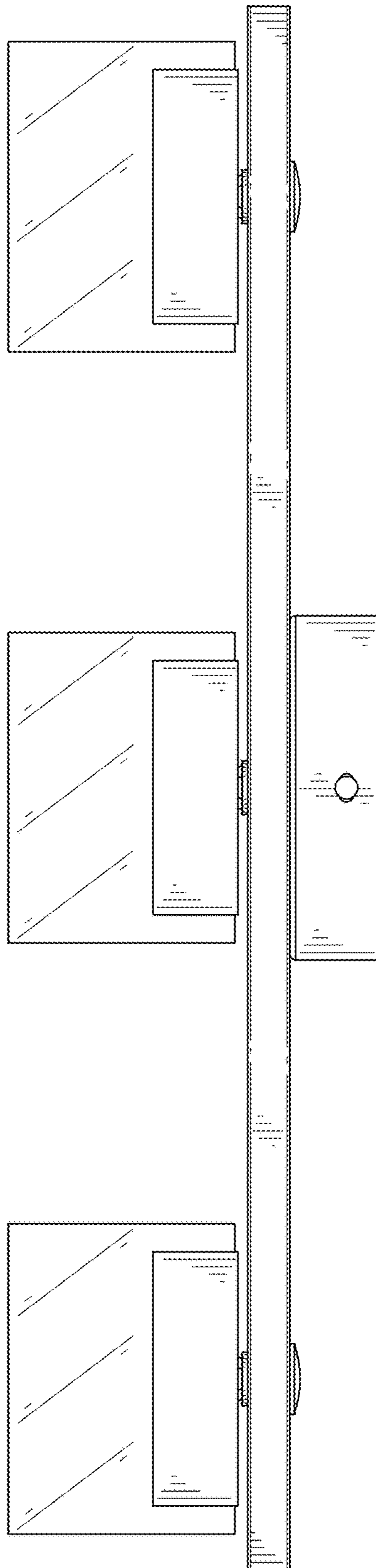


Fig. 4

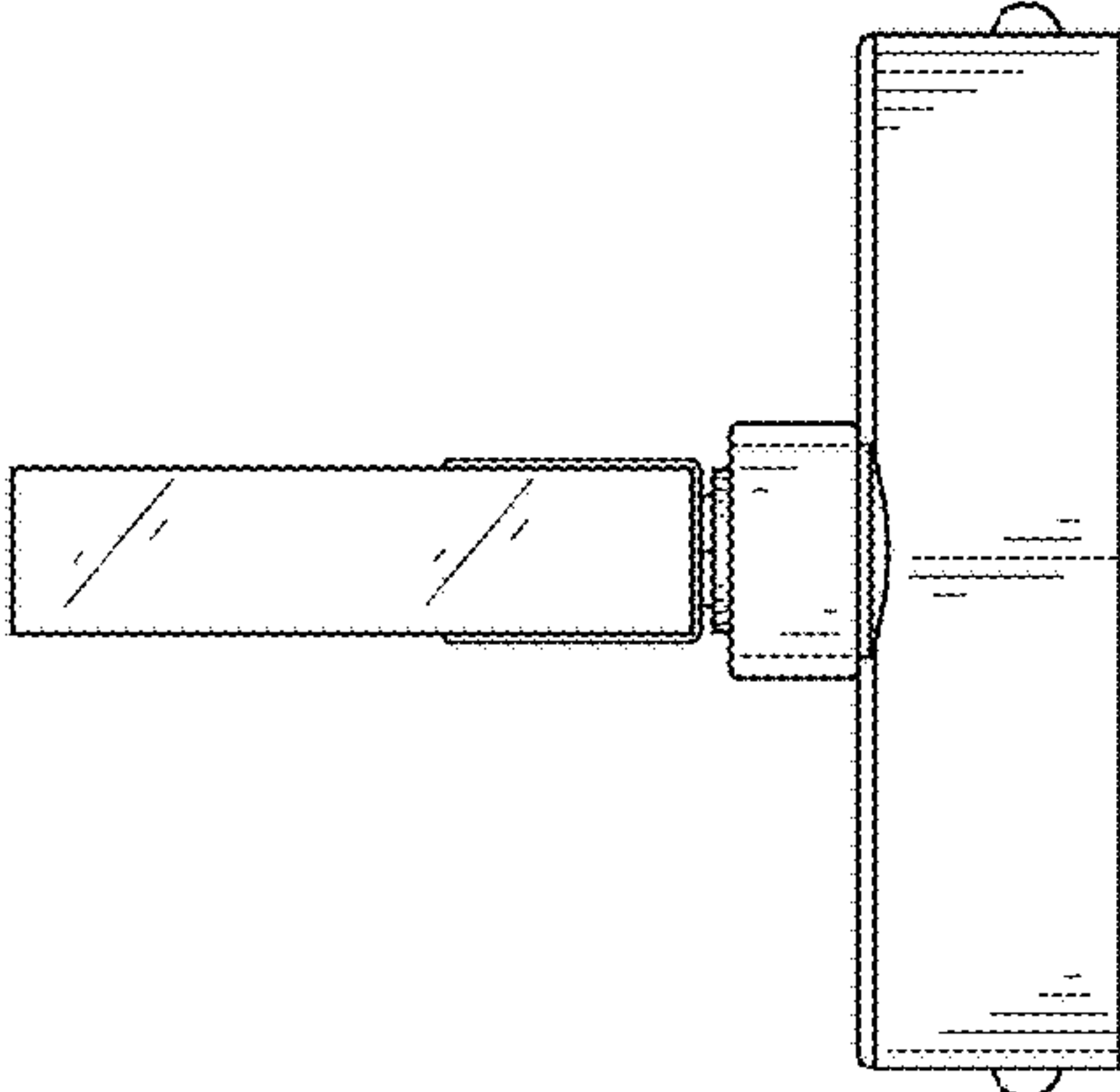


Fig. 5

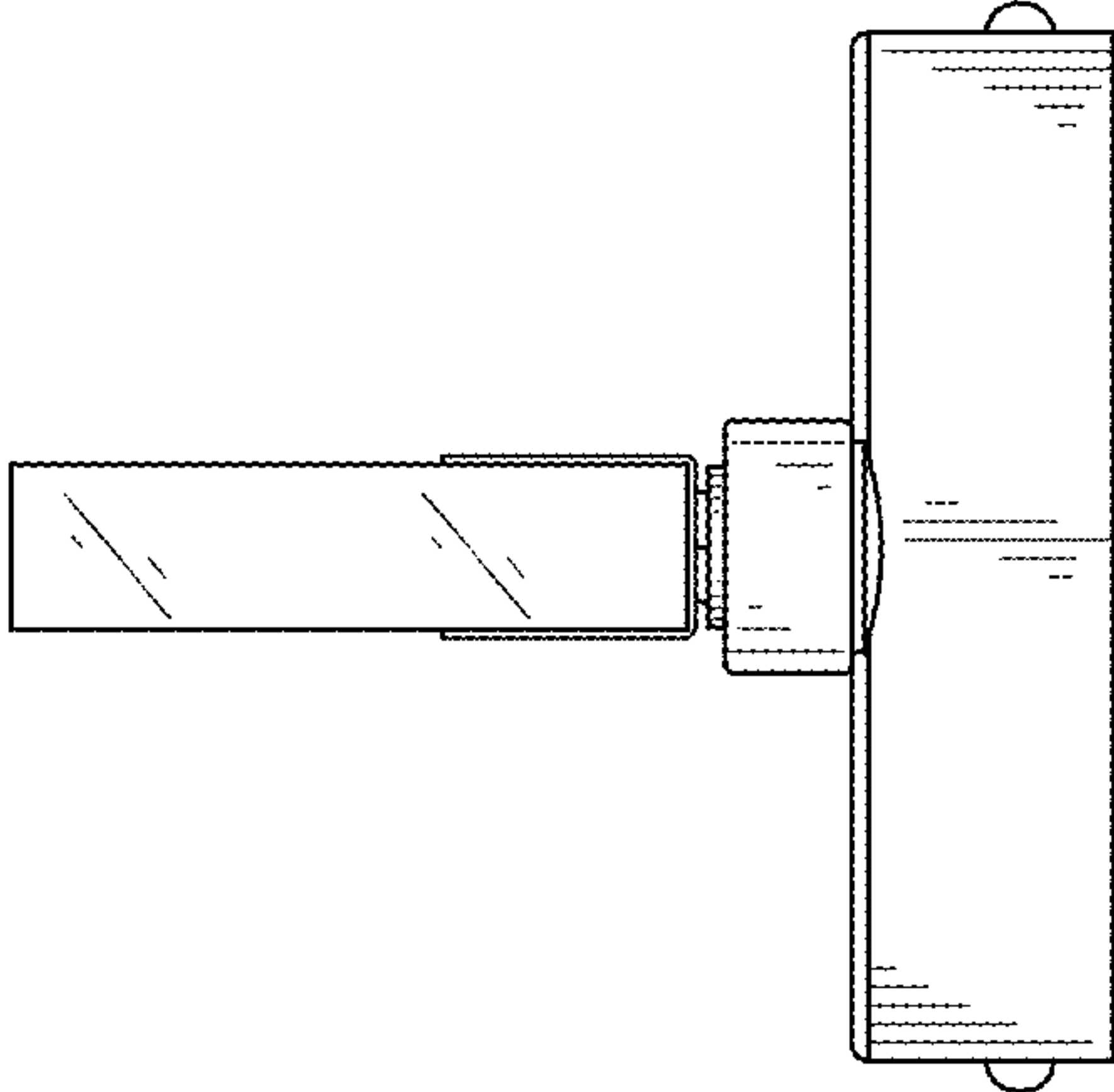


Fig. 6



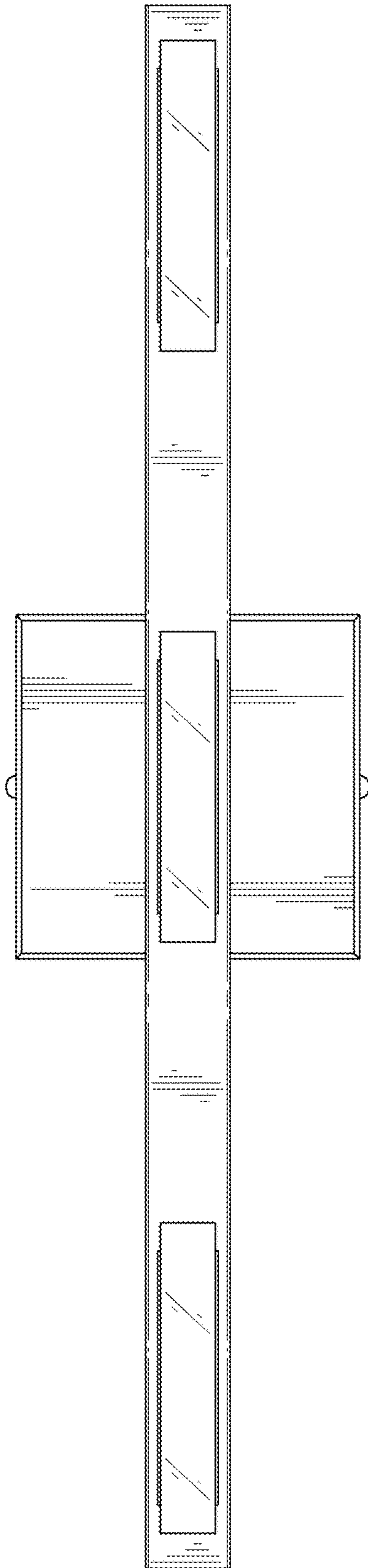


Fig. 7



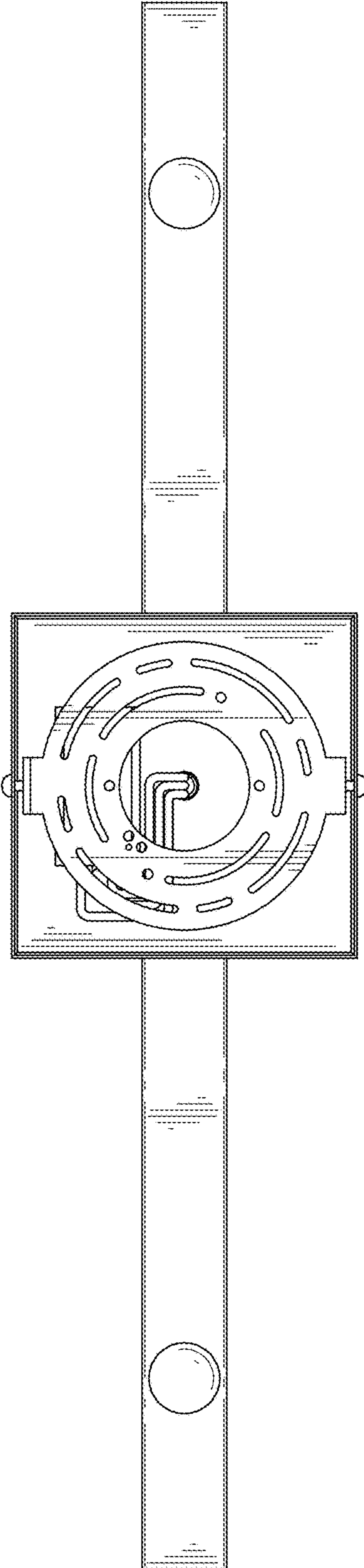


Fig. 8

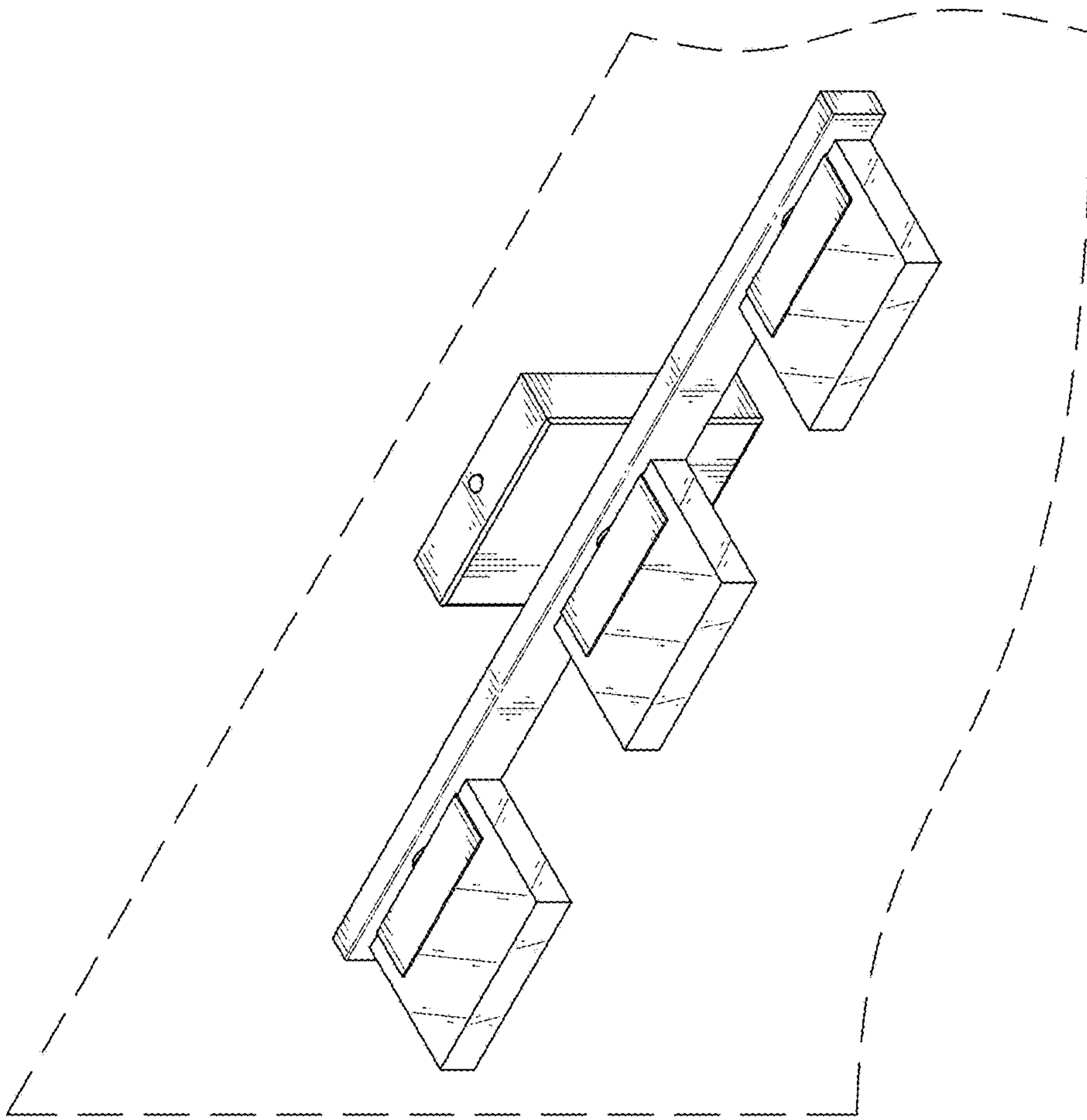


Fig. 9

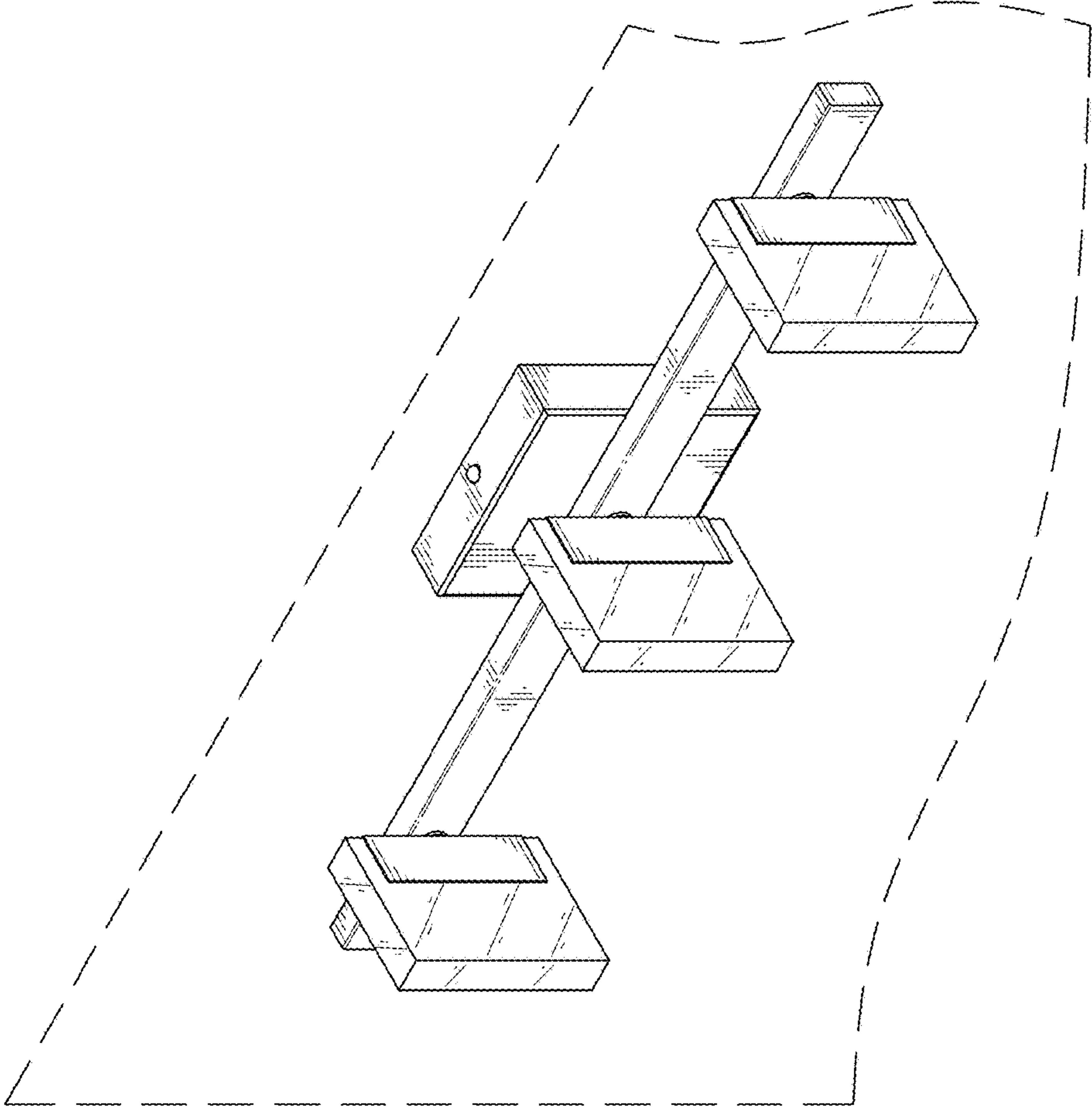


Fig. 10