



US00D816881S

(12) **United States Design Patent**
Qiao

(10) **Patent No.:** **US D816,881 S**

(45) **Date of Patent:** **** May 1, 2018**

(54) **LAMP**

(71) Applicant: **Jianghui Qiao**, Hebei (CN)

(72) Inventor: **Jianghui Qiao**, Hebei (CN)

(**) Term: **15 Years**

(21) Appl. No.: **29/597,442**

(22) Filed: **Mar. 17, 2017**

(51) **LOC (11) Cl.** **26-05**

(52) **U.S. Cl.**
USPC **D26/86**

(58) **Field of Classification Search**
USPC D26/72, 80-89, 92, 61, 62, 63, 64, 66
CPC .. F21S 8/033; F21S 8/036; F21S 8/038; F21S
8/066; F21S 9/037; F21S 4/20; F21S
4/28; F21W 2121/004; F21W 2131/107;
F21V 7/0083
See application file for complete search history.

(56) **References Cited**

U.S. PATENT DOCUMENTS

D501,060 S * 1/2005 Lee D26/80
D608,488 S * 1/2010 Miranda D26/86

D630,365 S * 1/2011 Sabernig D26/84
D655,844 S * 3/2012 Sabernig D26/63
D661,007 S * 5/2012 Sabernig D26/63
D779,696 S * 2/2017 Cicero D26/63
2013/0077295 A1* 3/2013 Hayashi F21V 29/00
362/217.05
2015/0198311 A1* 7/2015 O'Brien F21S 8/066
362/220

* cited by examiner

Primary Examiner — Cathron C Brooks
(74) *Attorney, Agent, or Firm* — Tony Hom

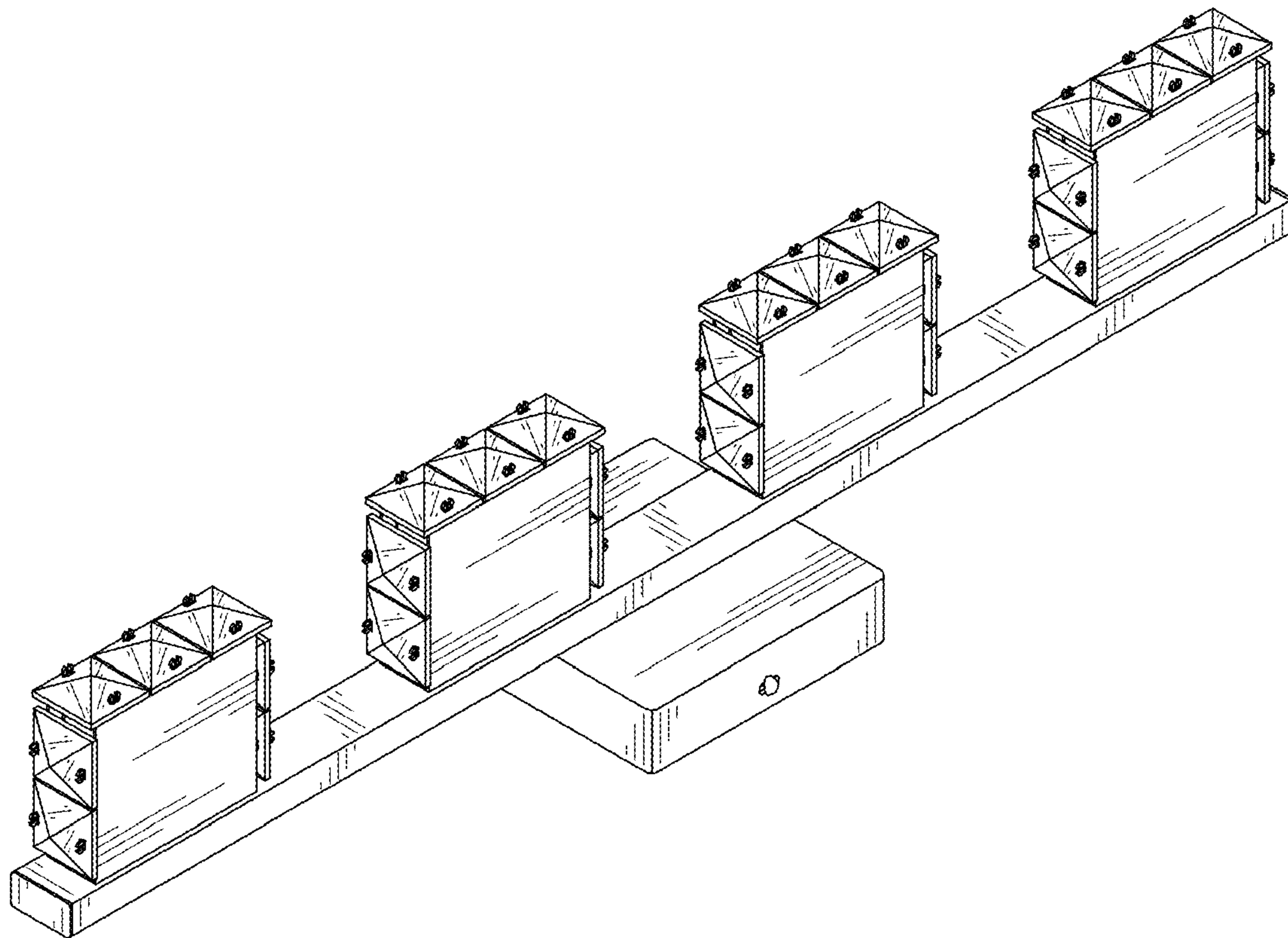
(57) **CLAIM**

The ornamental design for a lamp, as shown and described.

DESCRIPTION

FIG. 1 is a first perspective view of a lamp showing my new design;
FIG. 2 is a second perspective view thereof;
FIG. 3 is a front elevational view thereof;
FIG. 4 is a rear elevational view thereof;
FIG. 5 is a left side view thereof;
FIG. 6 is a right side view thereof;
FIG. 7 is a top plan view thereof; and,
FIG. 8 is a bottom plan view thereof.
The diagonal lines in the drawings indicate transparency.

1 Claim, 8 Drawing Sheets



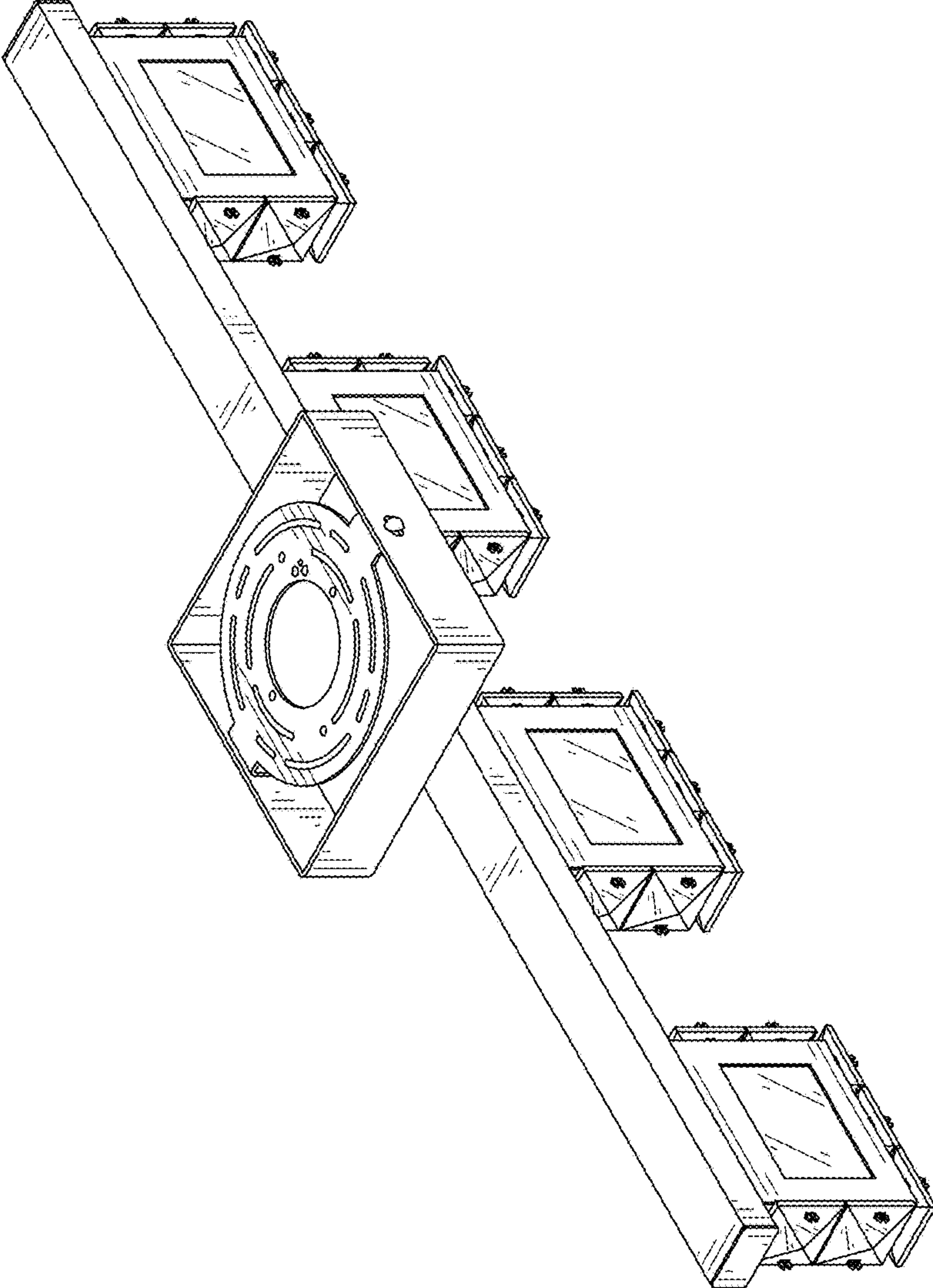


Fig. 1

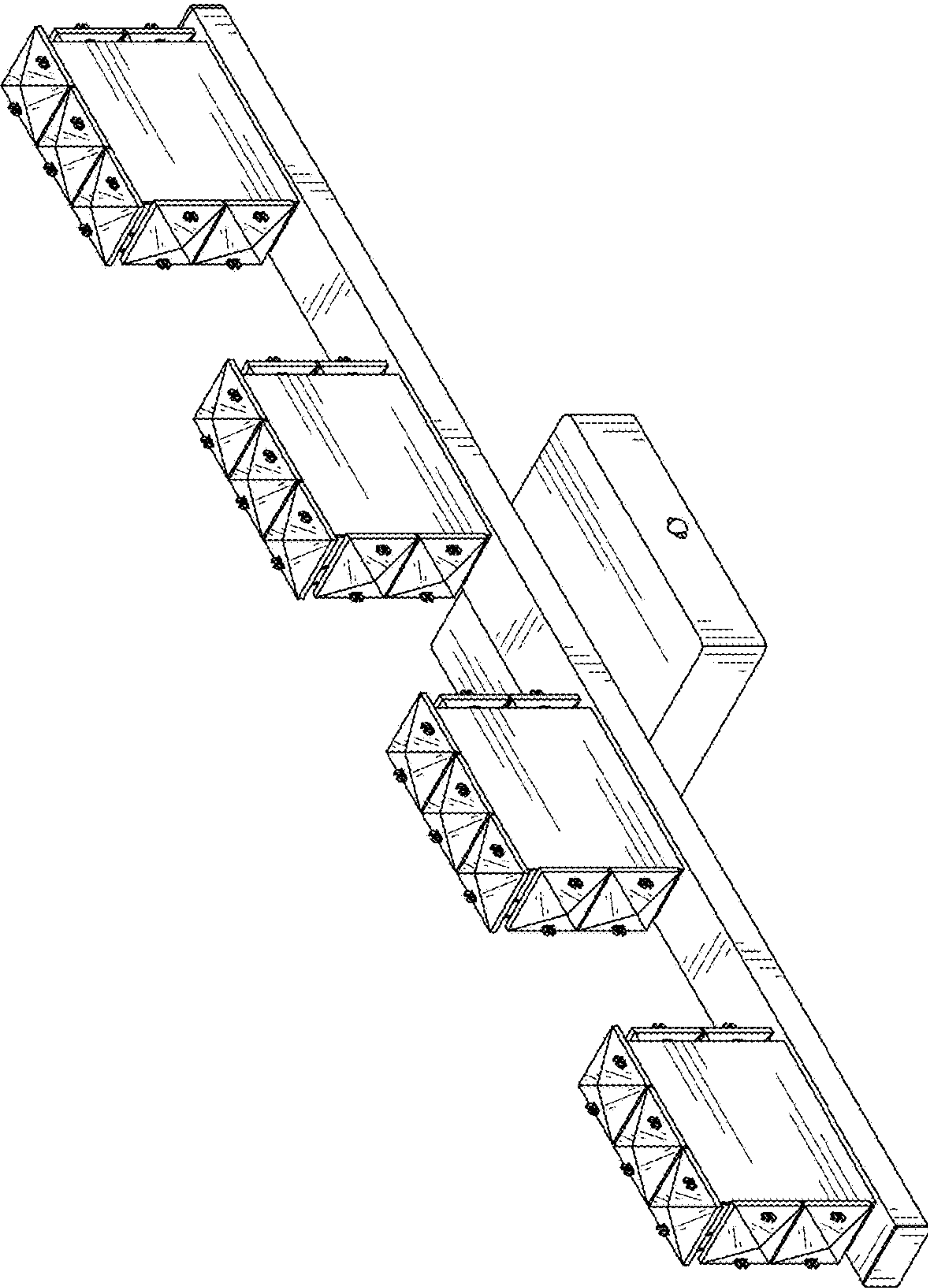


Fig. 2

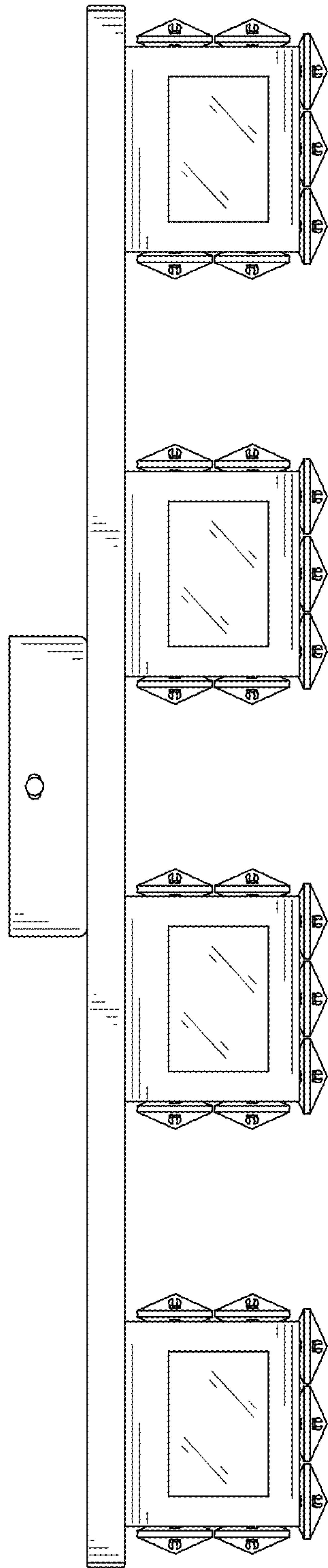


Fig. 3

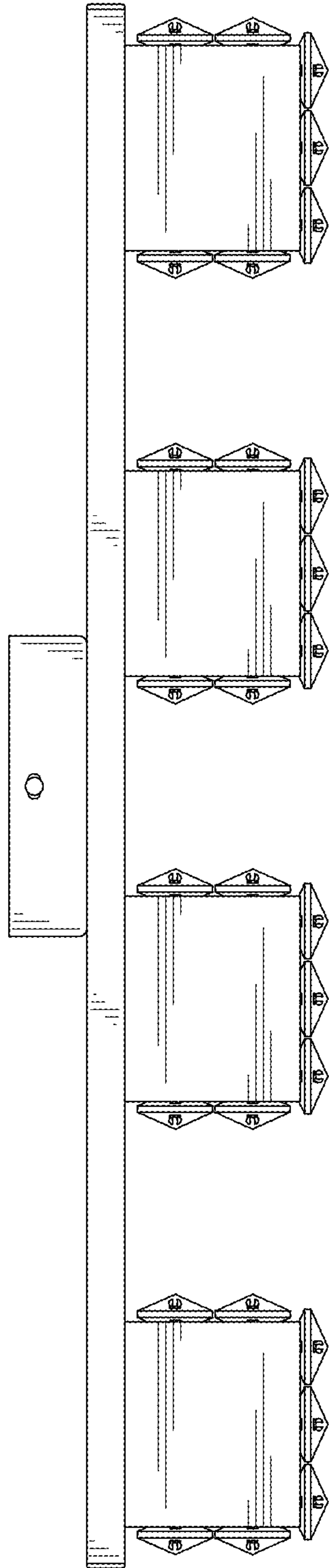


Fig. 4

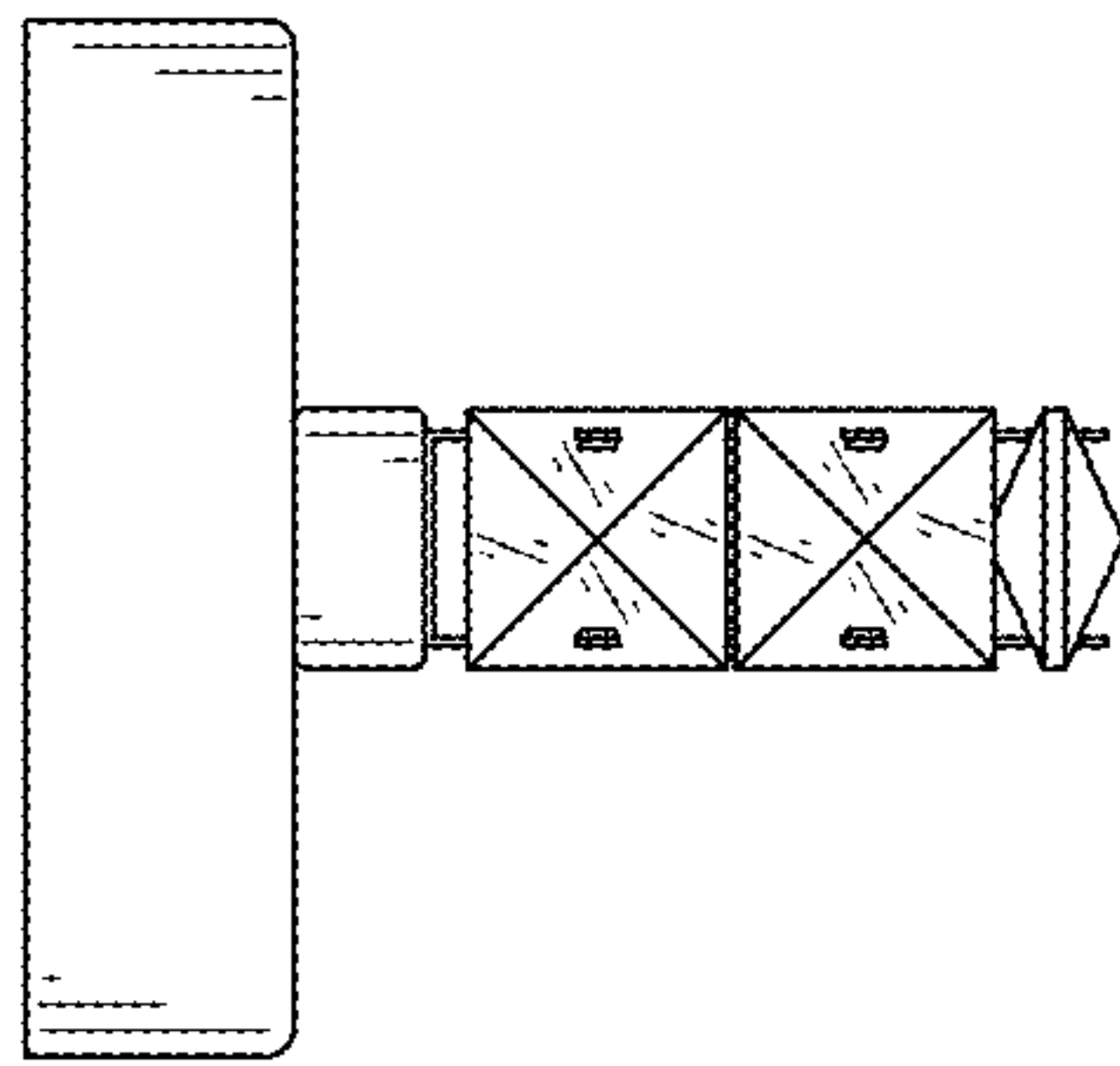


Fig. 5

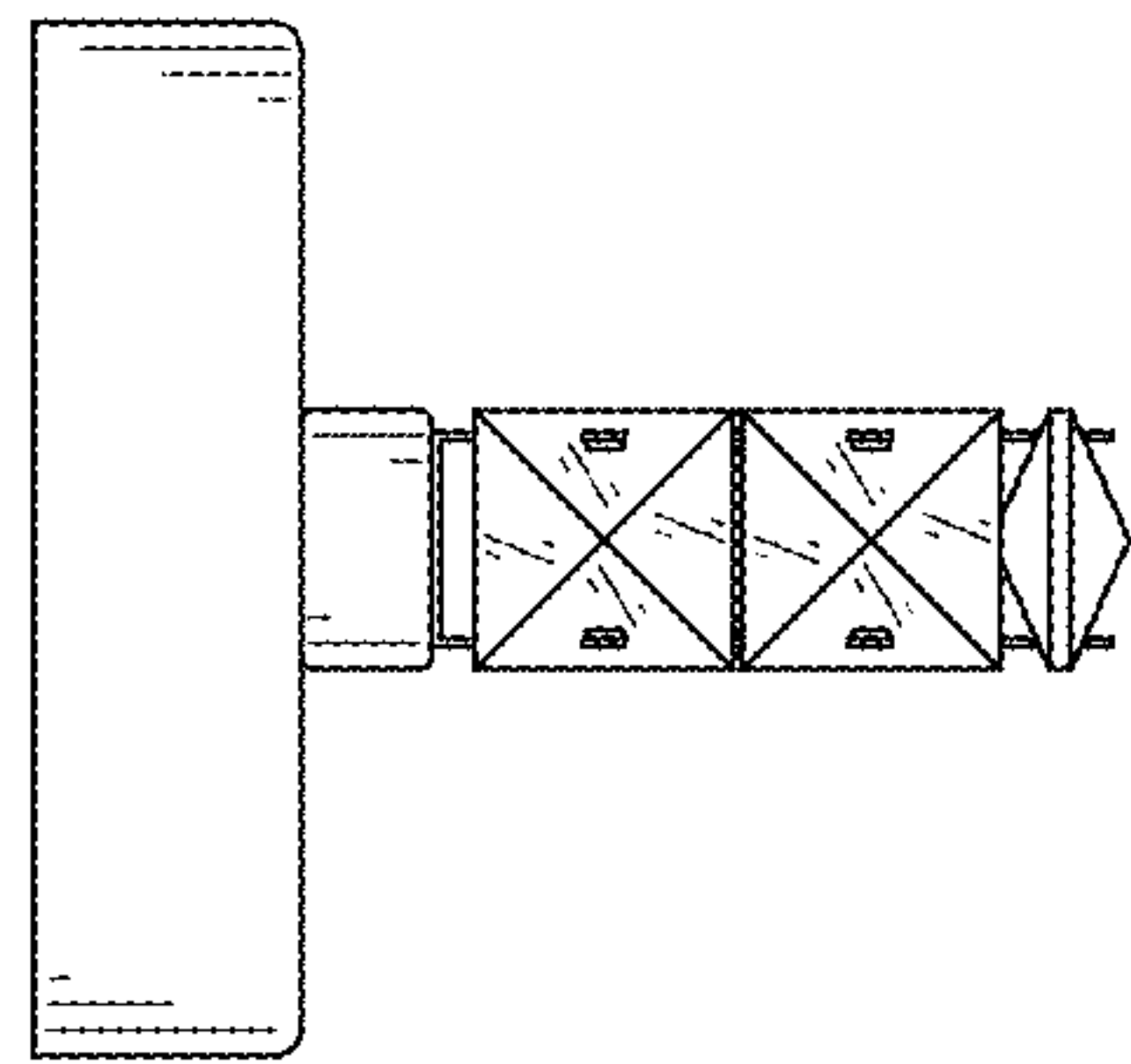


Fig. 6

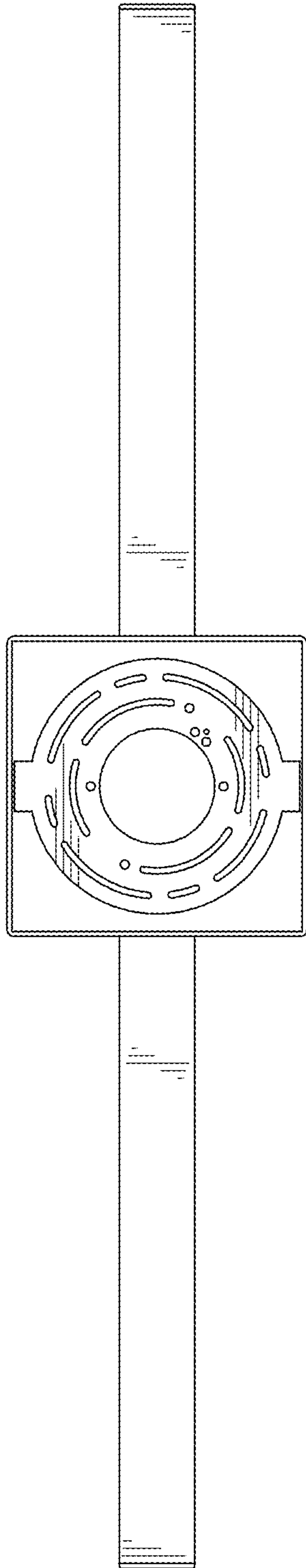


Fig. 7

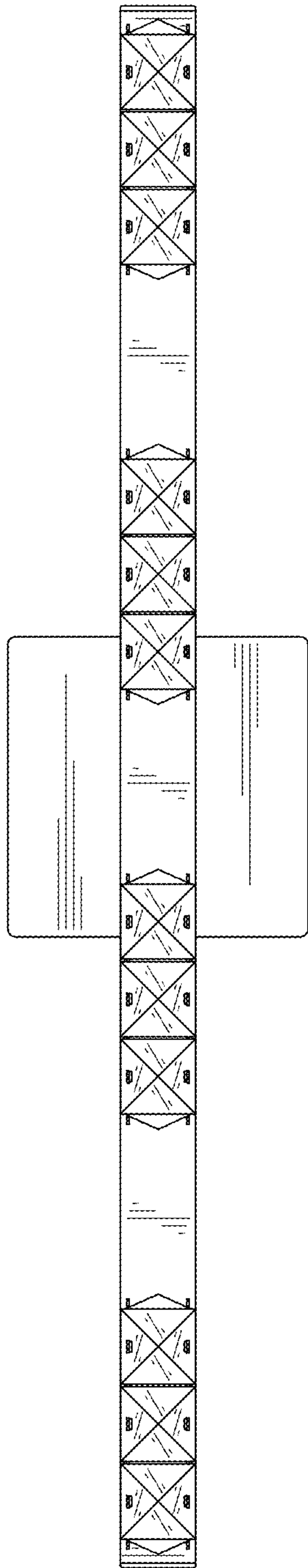


Fig. 8