



US00D816877S

(12) **United States Design Patent**
Zou

(10) **Patent No.:** **US D816,877 S**

(45) **Date of Patent:** **** May 1, 2018**

(54) **MOTION ACTIVATED TOILET NIGHT LIGHT**

D571,031 S * 6/2008 Perkins D26/60
D610,284 S * 2/2010 McDonnell D26/60
D737,492 S * 8/2015 Li D26/60

(71) Applicant: **Jianbin Zou**, Guangdong (CN)

* cited by examiner

(72) Inventor: **Jianbin Zou**, Guangdong (CN)

Primary Examiner — Brian N. Vinson

(**) Term: **15 Years**

(74) *Attorney, Agent, or Firm* — Law Offices of Steven W. Weinrieb

(21) Appl. No.: **29/589,177**

(57) **CLAIM**

(22) Filed: **Dec. 29, 2016**

The ornamental design for a motion activated toilet night light, as shown and described.

(51) **LOC (11) Cl.** **26-03**

DESCRIPTION

(52) **U.S. Cl.**

USPC **D26/60**

(58) **Field of Classification Search**

USPC D26/37, 39, 38, 46, 60

CPC F21V 33/00; F21V 14/025; F21V 21/406;

F21Y 2101/02; F21L 17/00; F21L 13/08;

A47K 17/00

See application file for complete search history.

FIG. 1 is a bottom, rear, left side perspective view of a motion activated toilet night light showing my new design, wherein the night light is mounted upon the end of a flexible post;

FIG. 2 is a front elevational view thereof;

FIG. 3 is a rear elevational view thereof;

FIG. 4 is a left side view thereof;

FIG. 5 is a right side view thereof;

FIG. 6 is a top plan view thereof;

FIG. 7 is a bottom plan view thereof;

FIG. 8 is a perspective view of the motion activated toilet night light in a use state;

FIG. 9 is a top, front, left side perspective view thereof shown in a configuration for mounting on the rim of a toilet bowl; and,

FIG. 10 is a bottom, rear, left side perspective view thereof with the flexible arm shown extended to a straight position.

(56) **References Cited**

U.S. PATENT DOCUMENTS

5,136,476 A * 8/1992 Horn A47K 17/00

362/198

5,150,962 A * 9/1992 Rauschenberger A47K 17/00

362/101

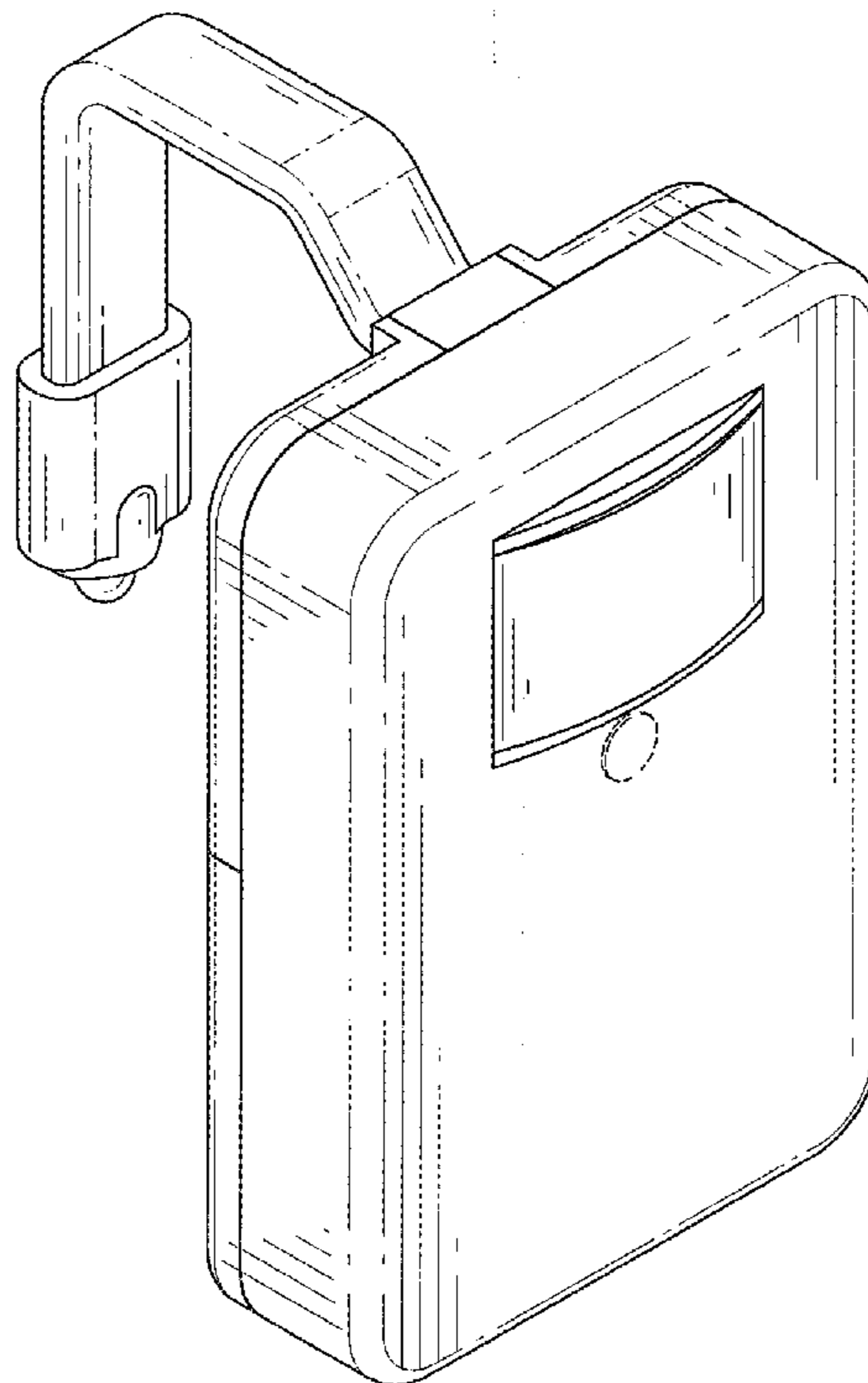
5,513,397 A * 5/1996 Terry A47K 17/00

362/253

D382,360 S * 8/1997 Bixby D26/60

D493,241 S * 7/2004 Stuart D26/60

1 Claim, 10 Drawing Sheets



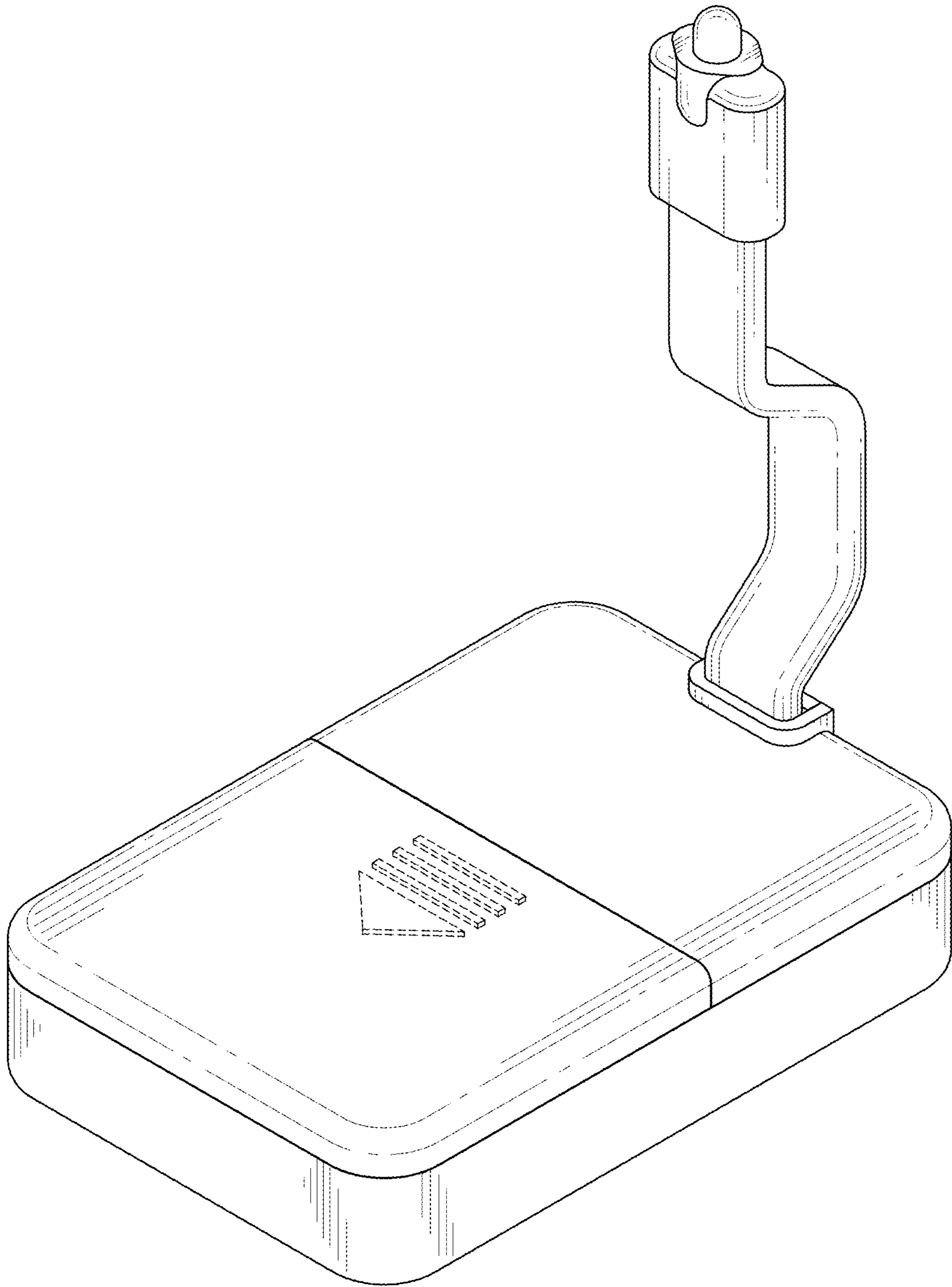


FIG. 1

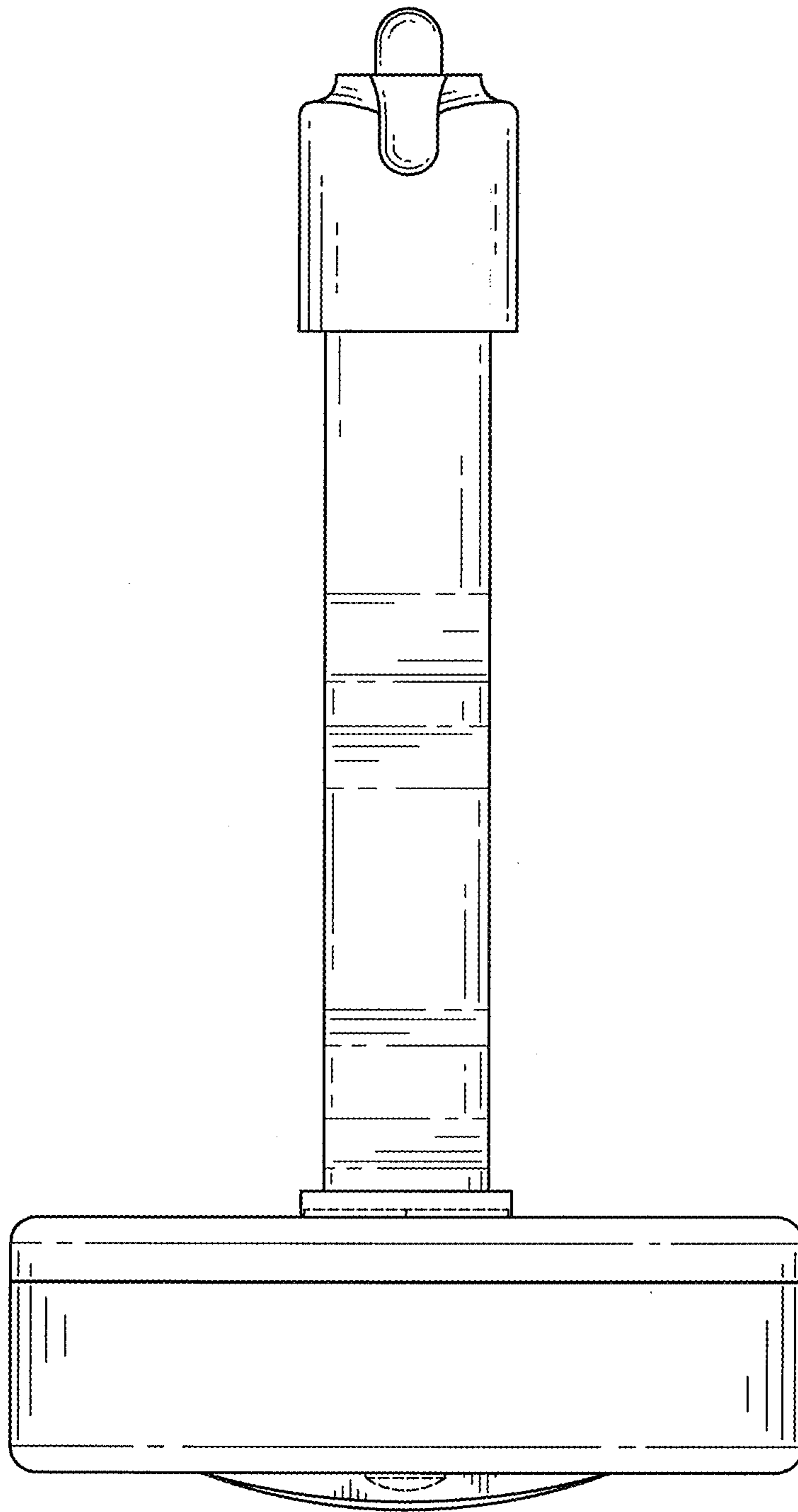


FIG. 2

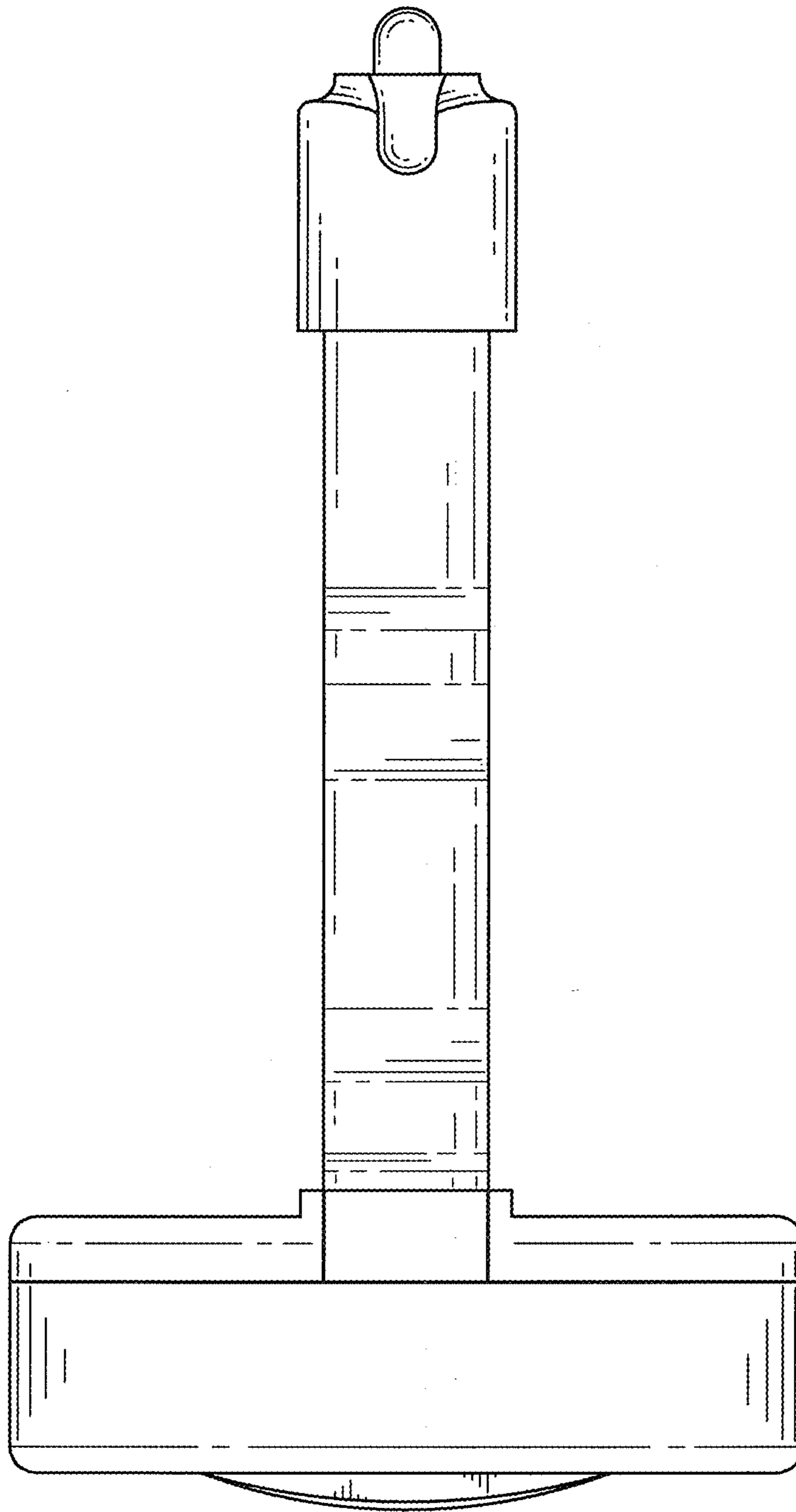


FIG. 3

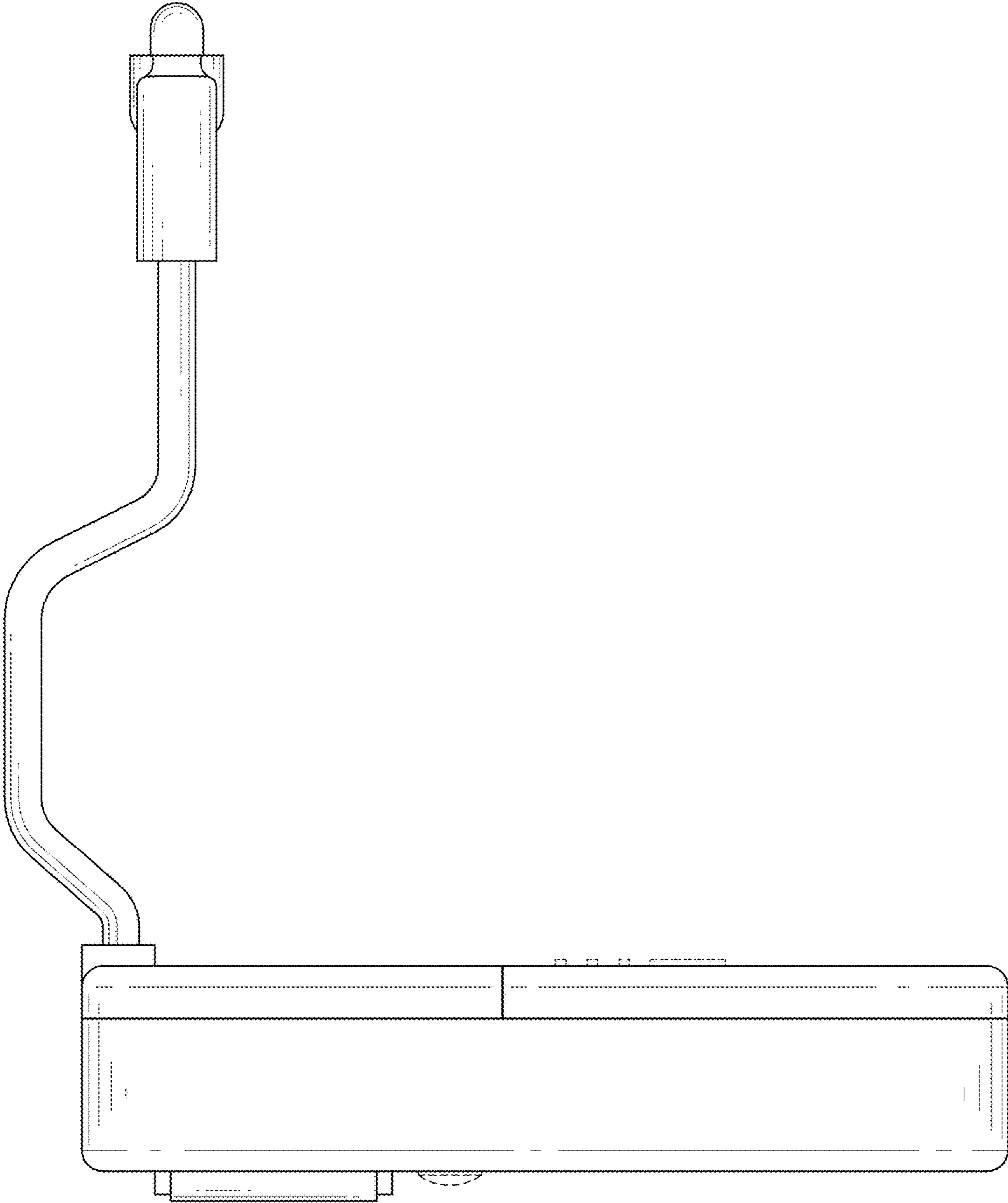


FIG. 4

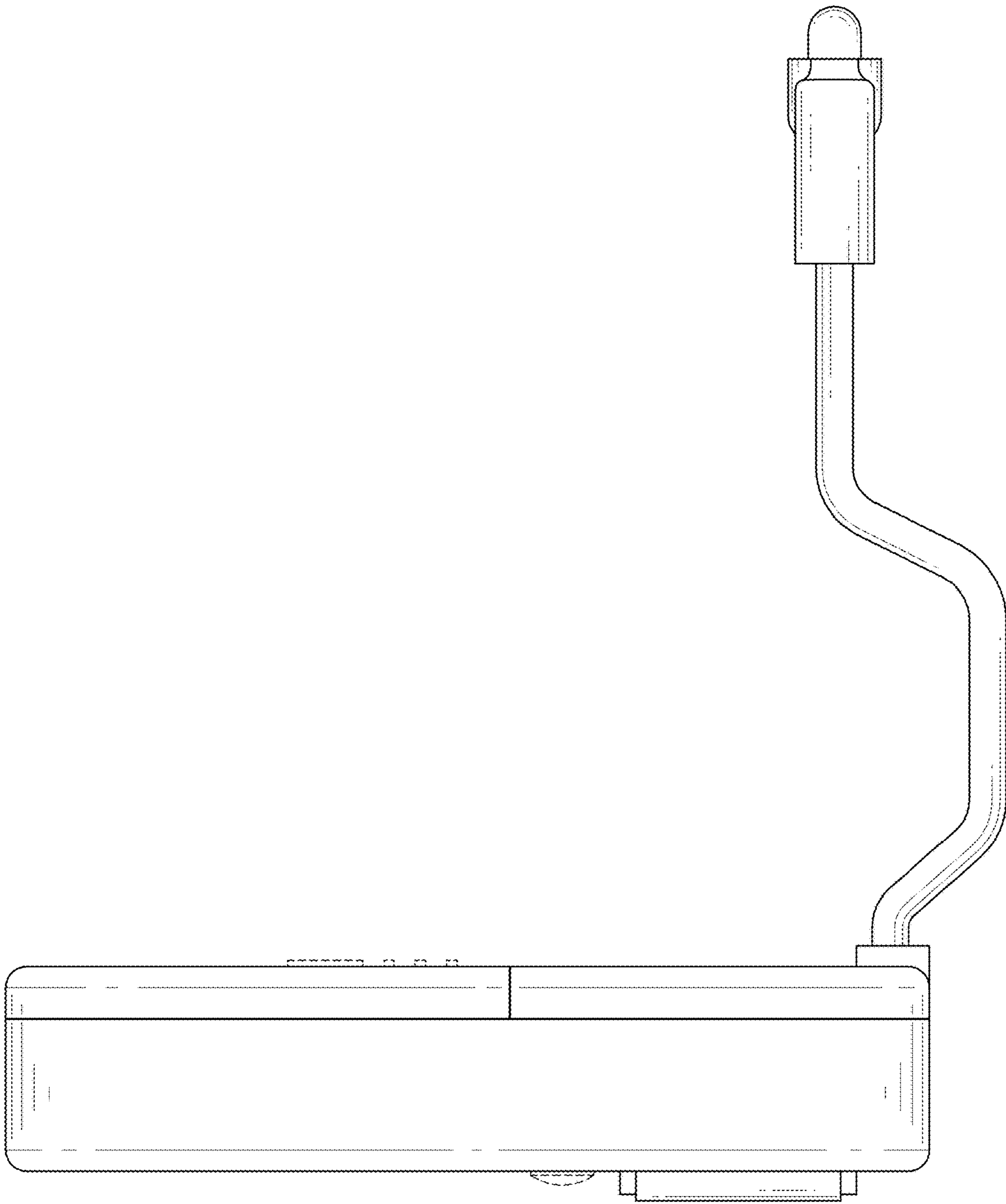


FIG. 5

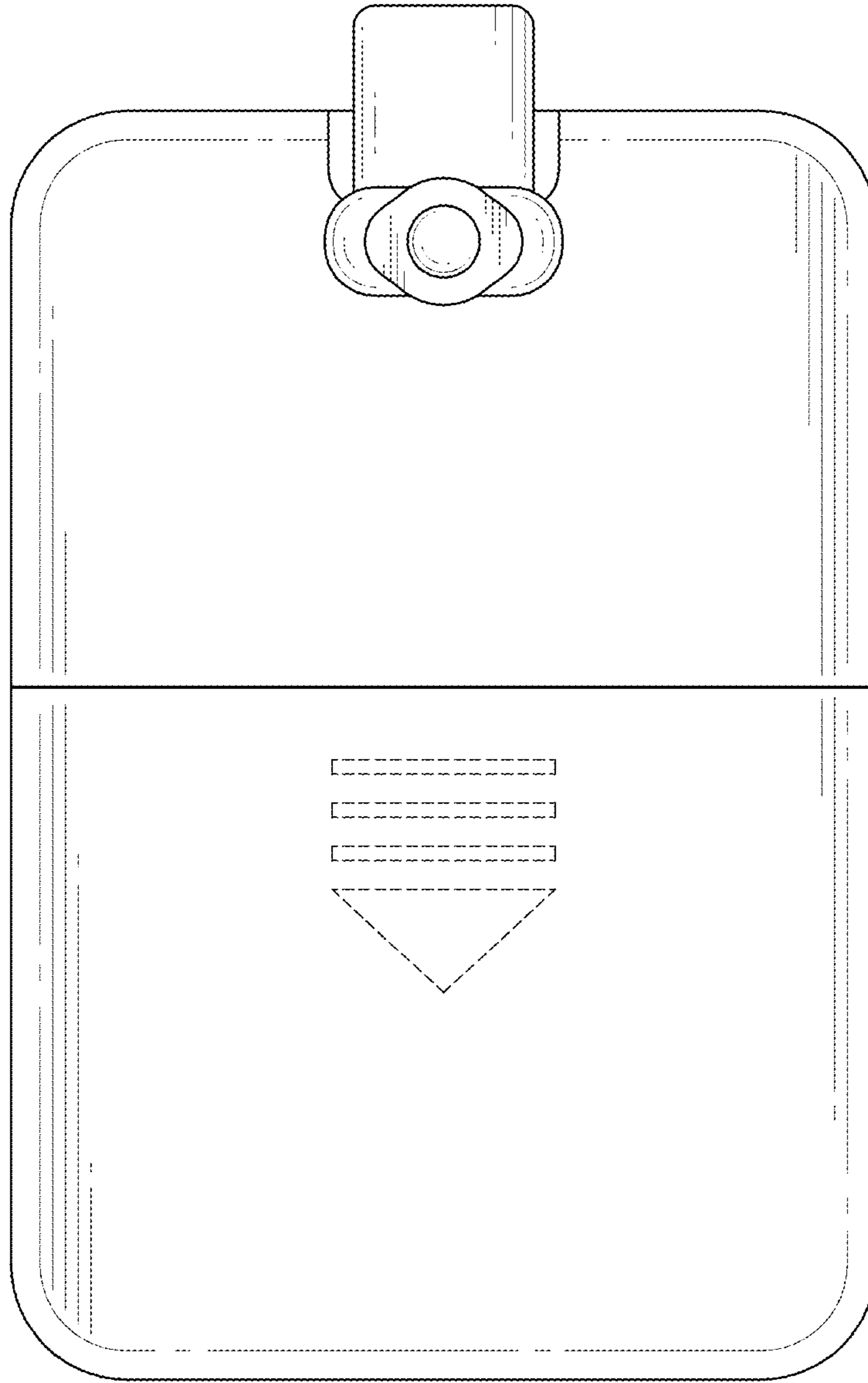


FIG. 6

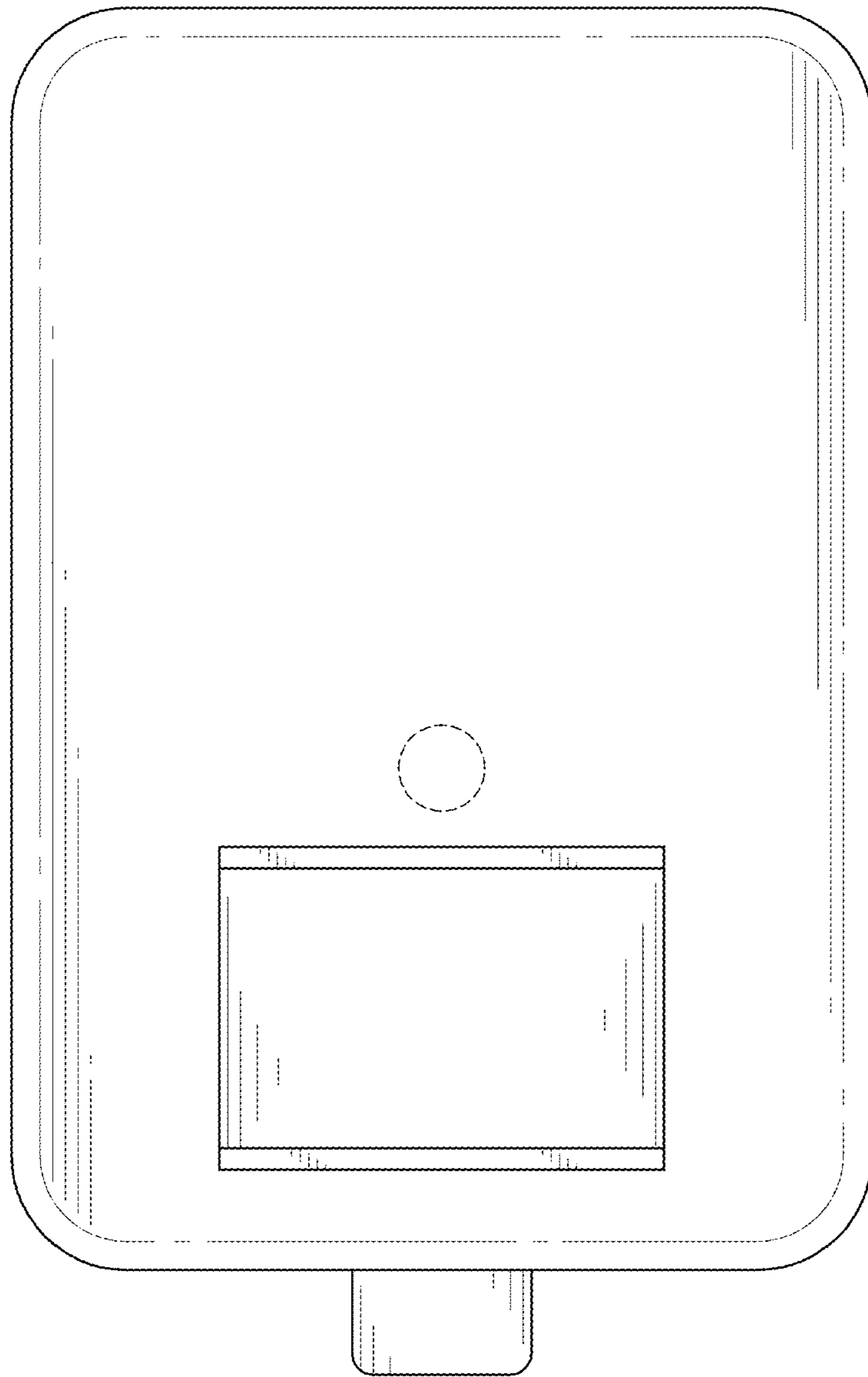


FIG. 7

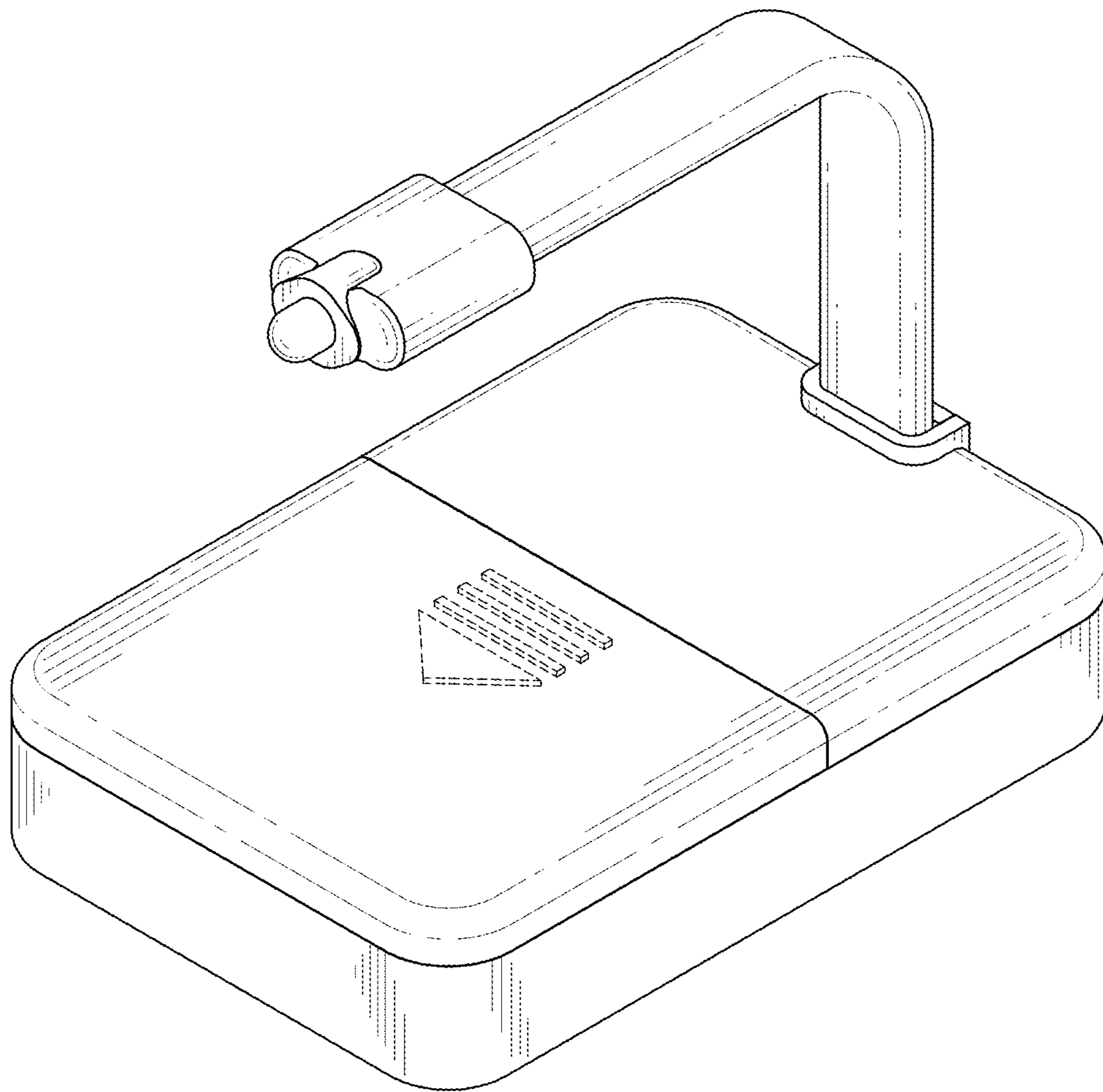


FIG. 8

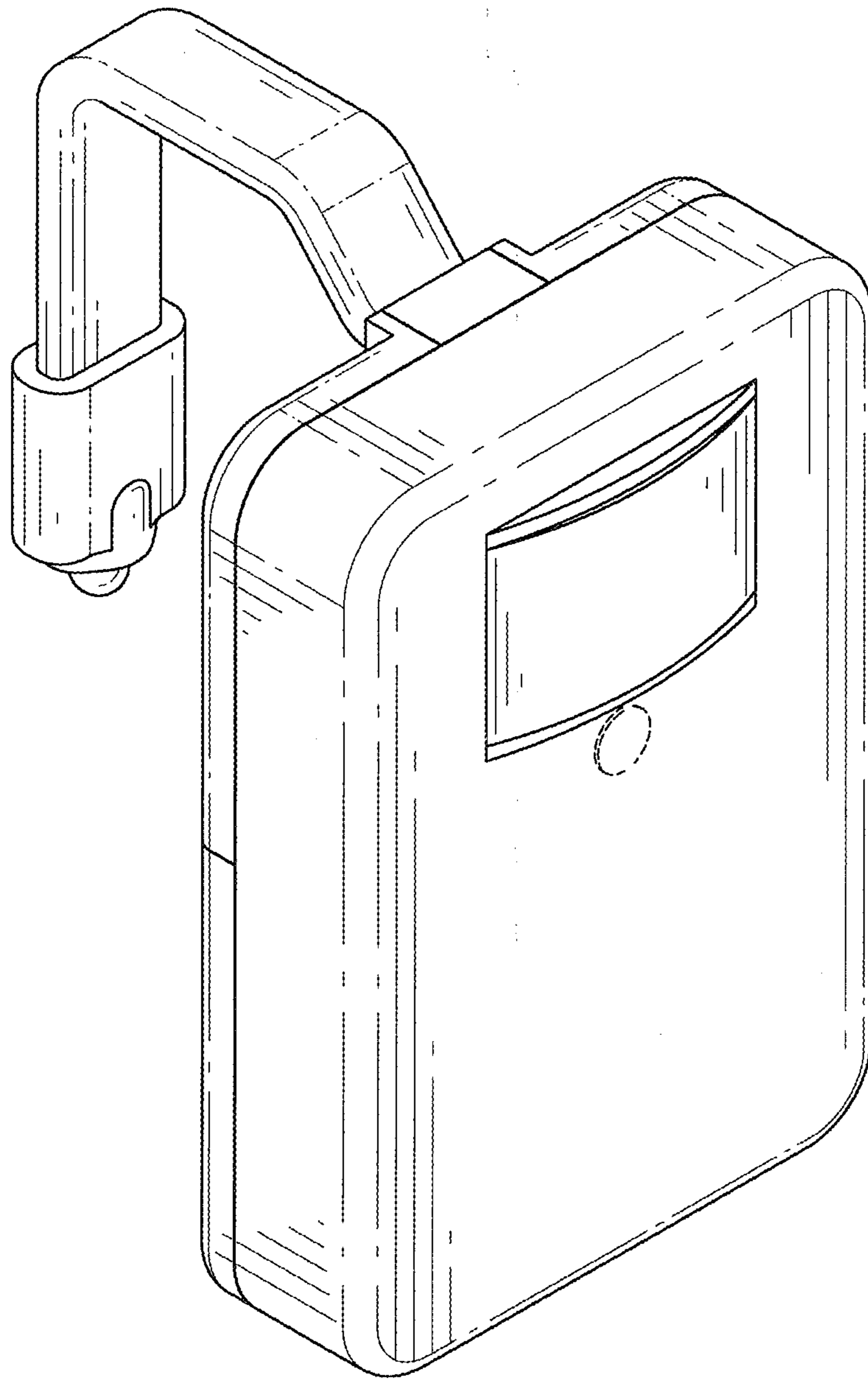


FIG. 9

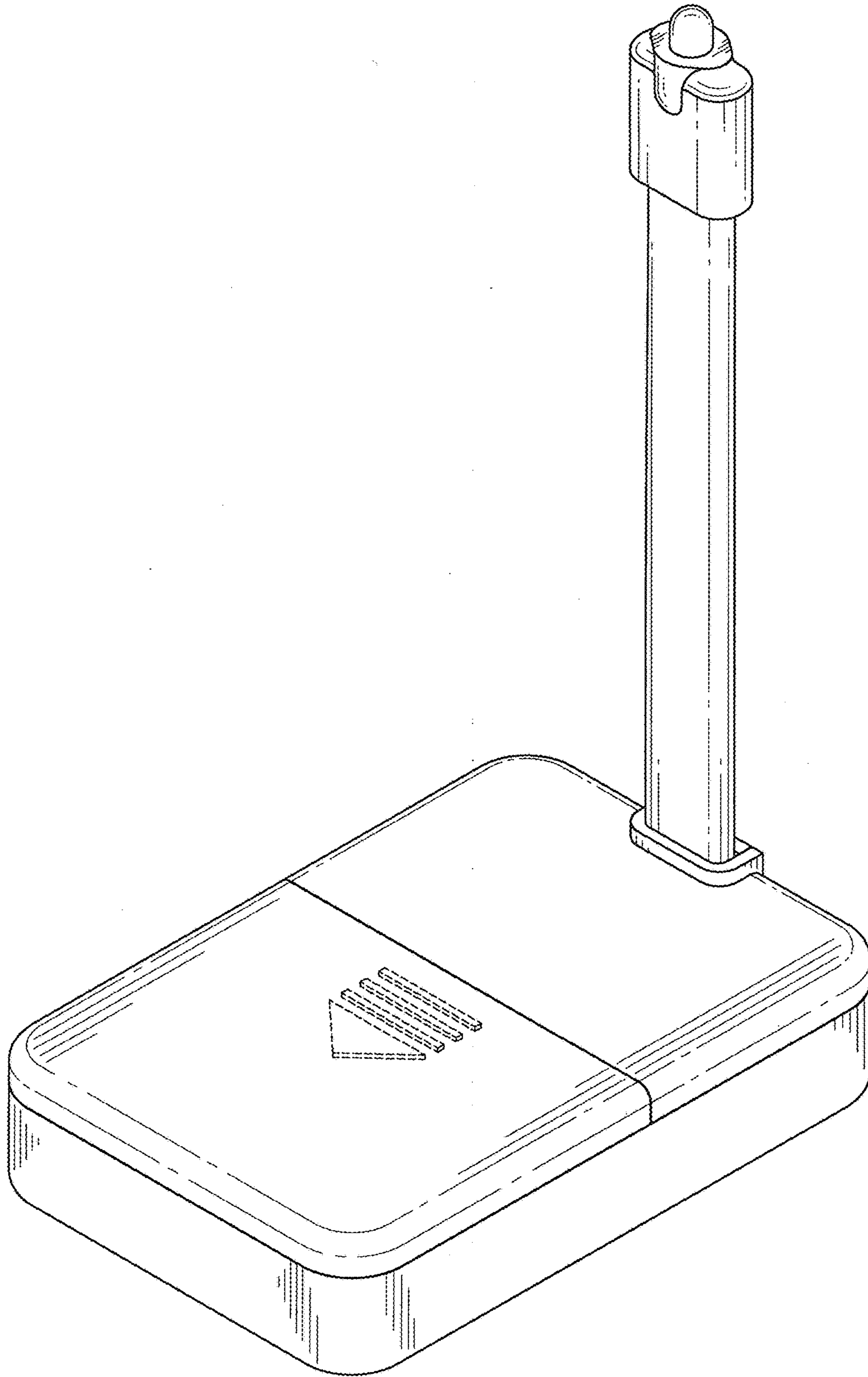


FIG. 10