



US00D816875S

(12) **United States Design Patent** (10) **Patent No.:** **US D816,875 S**  
**Kong et al.** (45) **Date of Patent:** **\*\* May 1, 2018**

(54) **HEADLIGHT FOR CARS**

F21V 21/04; B60Q 1/30; B60Q 1/2607;  
B60Q 1/2696; B62J 6/00; B62J 6/04

(71) Applicant: **KIA MOTORS CORPORATION**,  
Seoul (KR)

See application file for complete search history.

(72) Inventors: **Byung-Ho Kong**, Seoul (KR);  
**Byung-Kyu Park**, Hwaseong-si (KR)

(56) **References Cited**

(\*\*) Term: **15 Years**

U.S. PATENT DOCUMENTS

(21) Appl. No.: **35/501,913**

D789,580 S *	6/2017	Schneider .....	D26/28
D794,231 S *	8/2017	Yokoi .....	D26/28
D794,848 S *	8/2017	Komuro .....	D26/28
D794,851 S *	8/2017	Youn .....	D26/28
D796,709 S *	9/2017	Lai .....	D26/28
D796,715 S *	9/2017	Lin .....	D26/28
D797,965 S *	9/2017	Matsumoto .....	D26/28
D801,559 S *	10/2017	Kinoshita .....	D26/28

(22) Filed: **Oct. 7, 2016**

\* cited by examiner

(80) **Hague Agreement Data**

Int. Filing Date: **Oct. 7, 2016**

*Primary Examiner* — Zenia Bennett

Int. Reg. No.: **DM/093306**

(57) **CLAIM**

Int. Reg. Date: **Oct. 7, 2016**

The ornamental design for a headlight for cars, as shown and described.

Int. Reg. Pub. Date: **Nov. 18, 2016**

(30) **Foreign Application Priority Data**

**DESCRIPTION**

Apr. 15, 2016 (KR) ..... 30-2016-0017897

(51) **LOC (11) Cl.** ..... **26-06**

1. Headlight for cars

(52) **U.S. Cl.**

1.1 : Perspective

USPC ..... **D26/28**

1.2 : Front

(58) **Field of Classification Search**

1.3 : Back

USPC ..... D26/28-36

1.4 : Left

CPC ..... F21S 48/00; F21S 48/10; F21S 48/115;

1.5 : Right

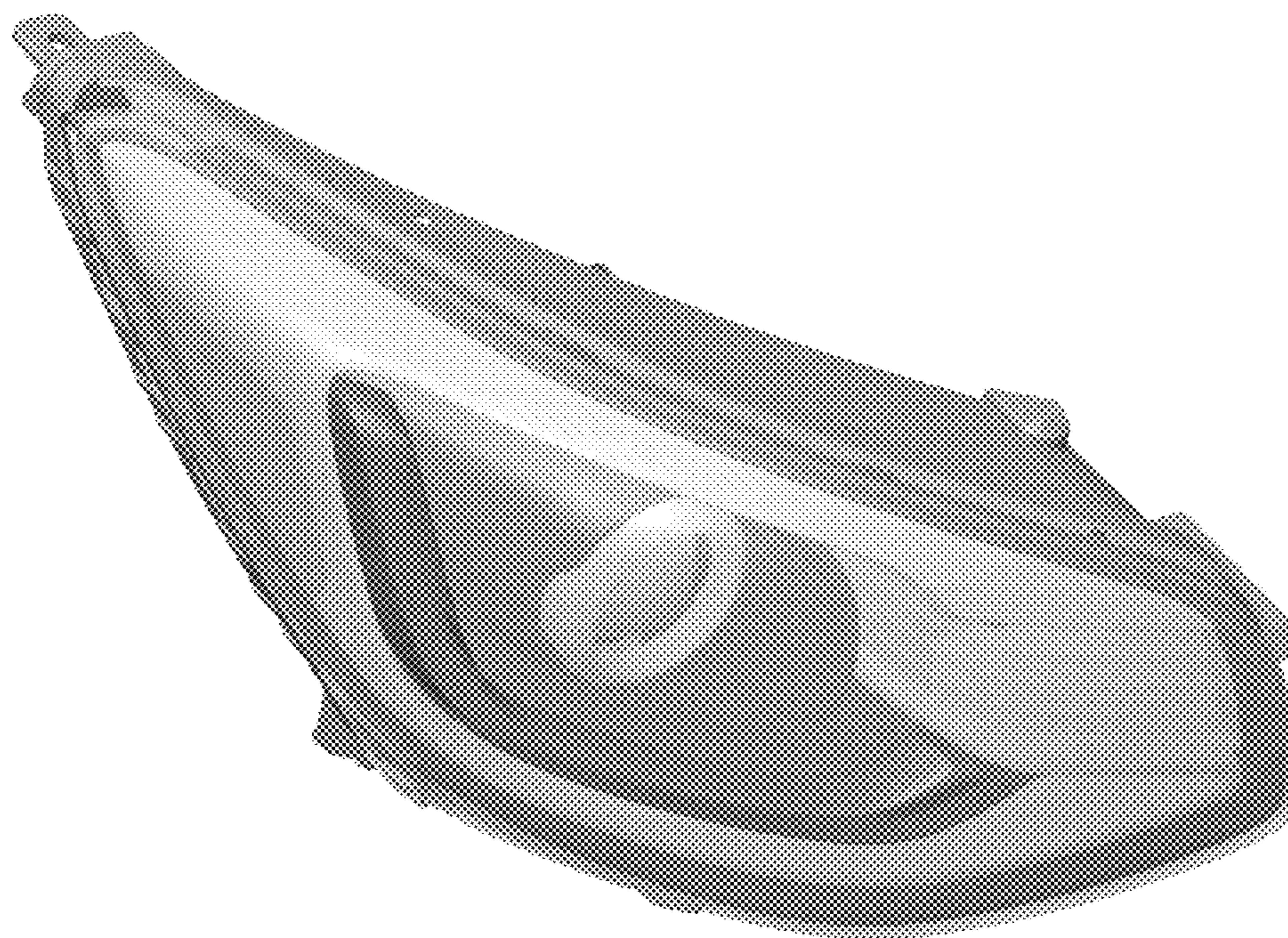
F21S 48/225; F21S 48/1233; F21S

1.6 : Top

48/1266; F21S 48/1388; F21S 48/2268;

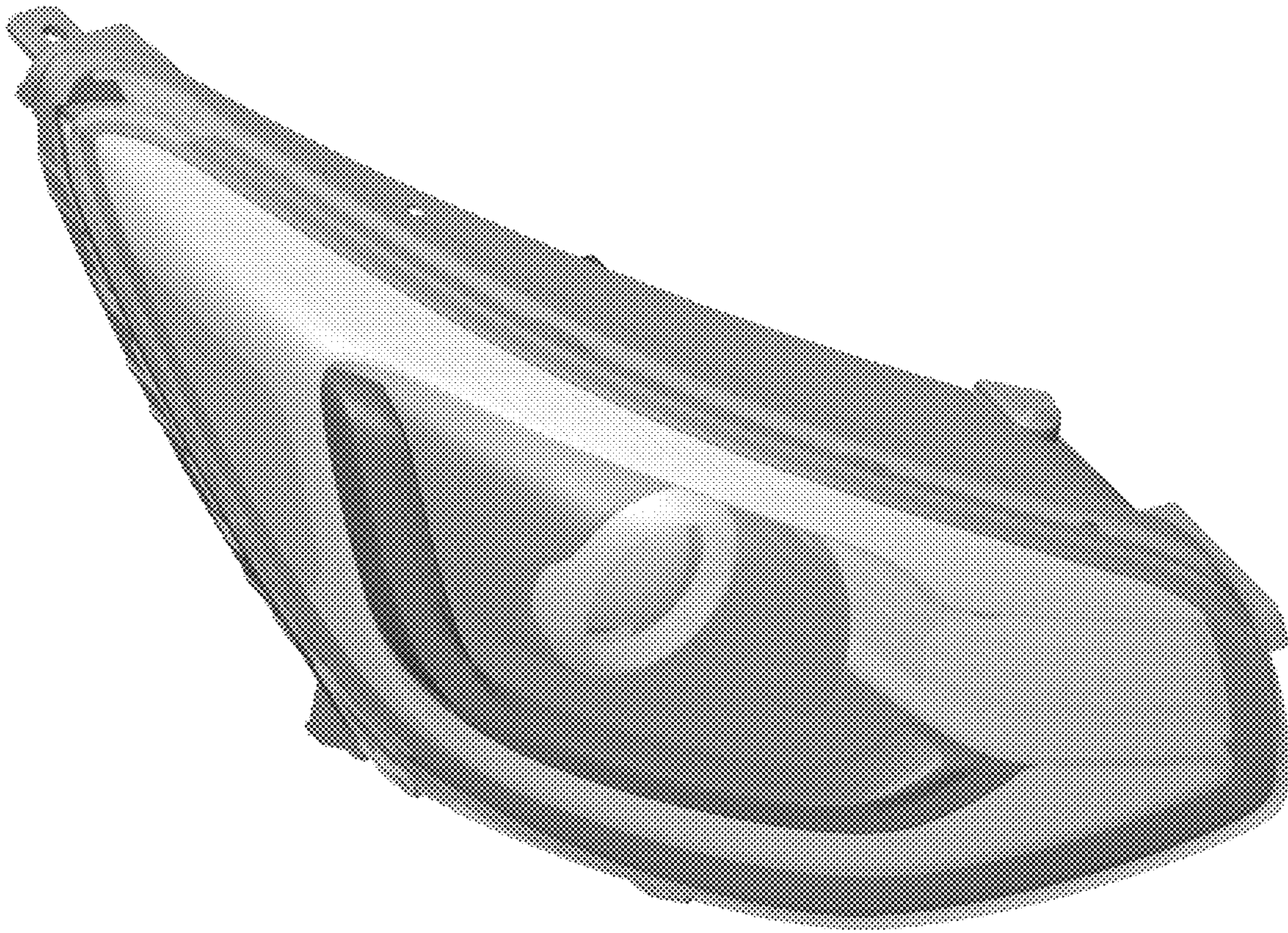
1.7 : Bottom

**1 Claim, 7 Drawing Sheets**



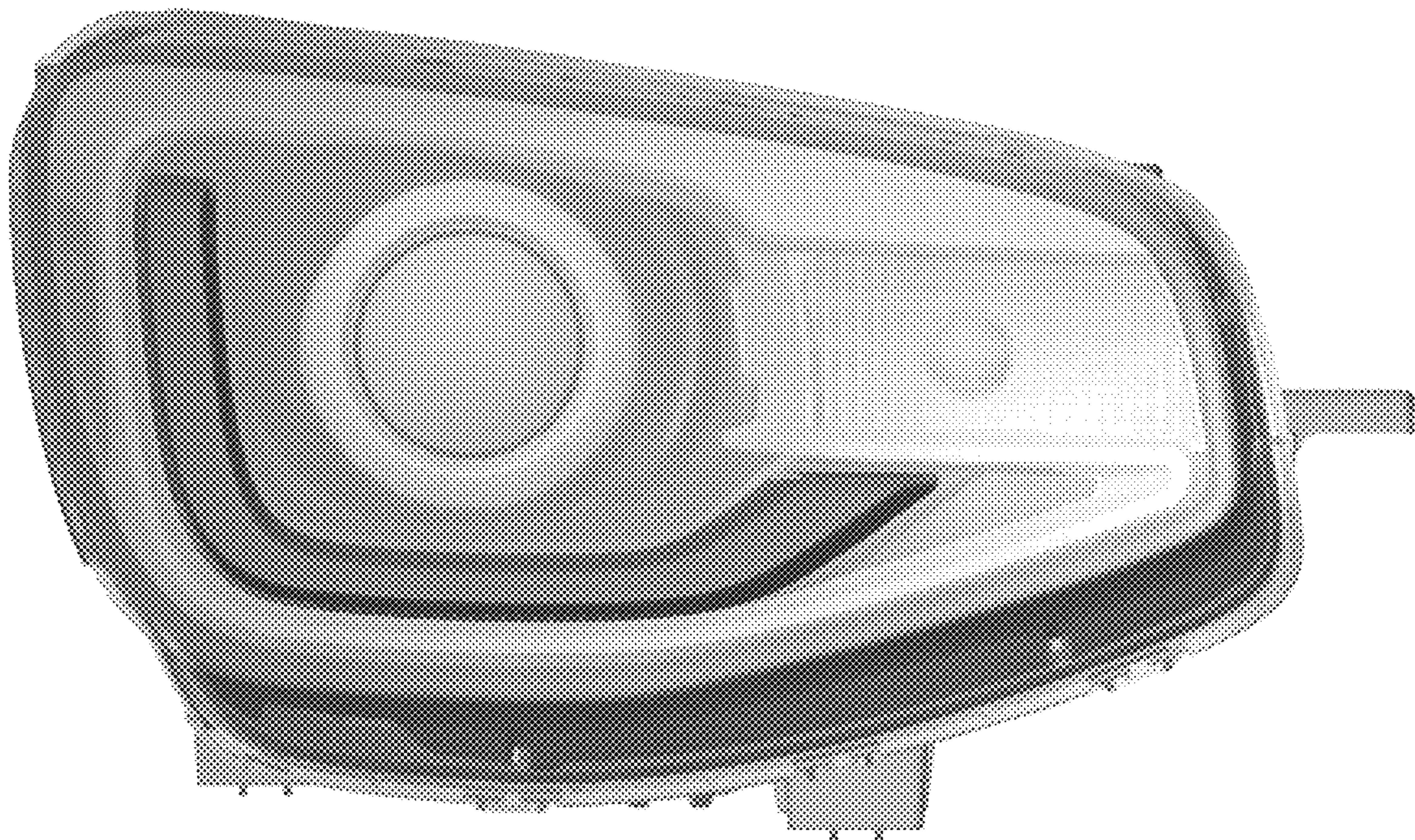


1.1



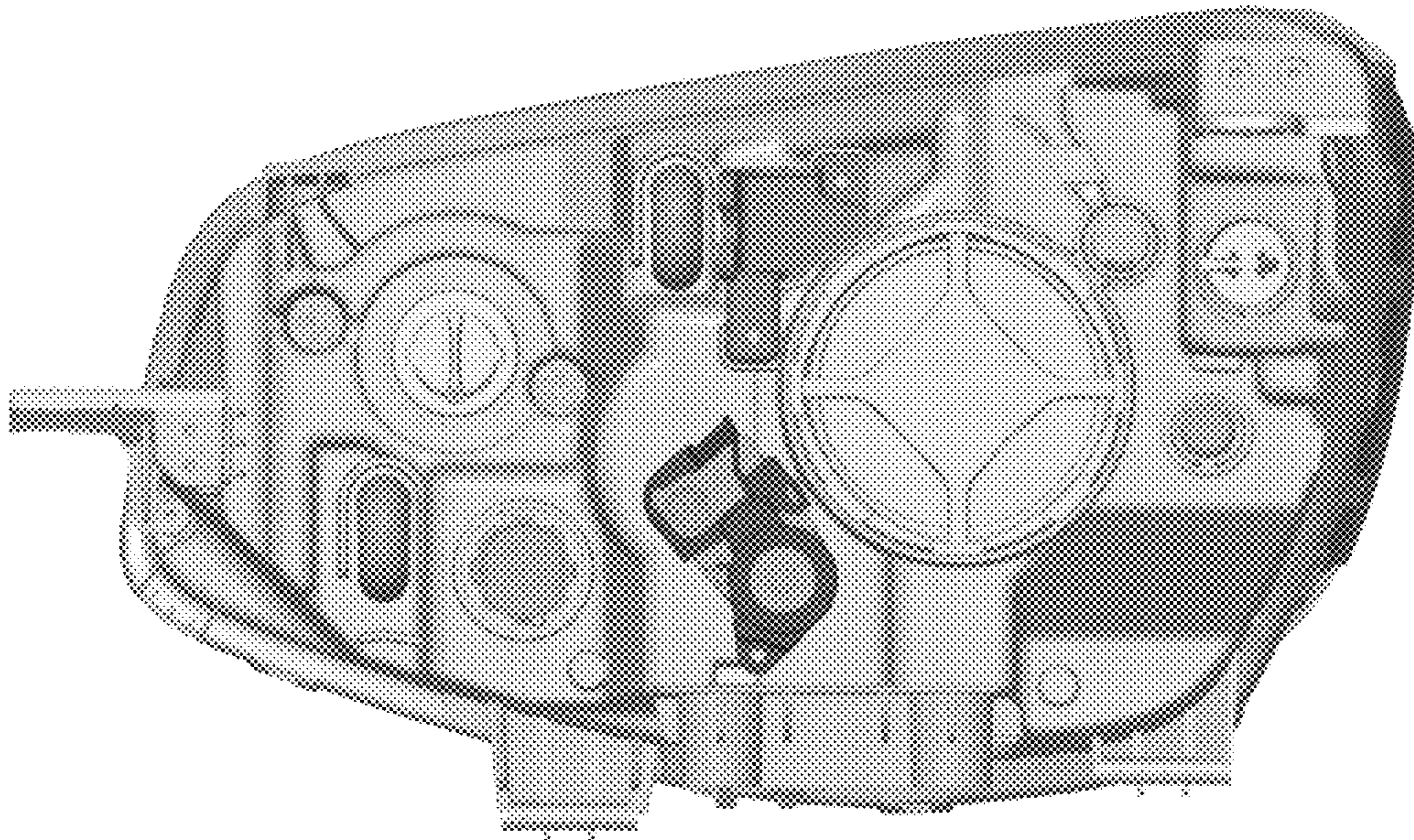


1.2

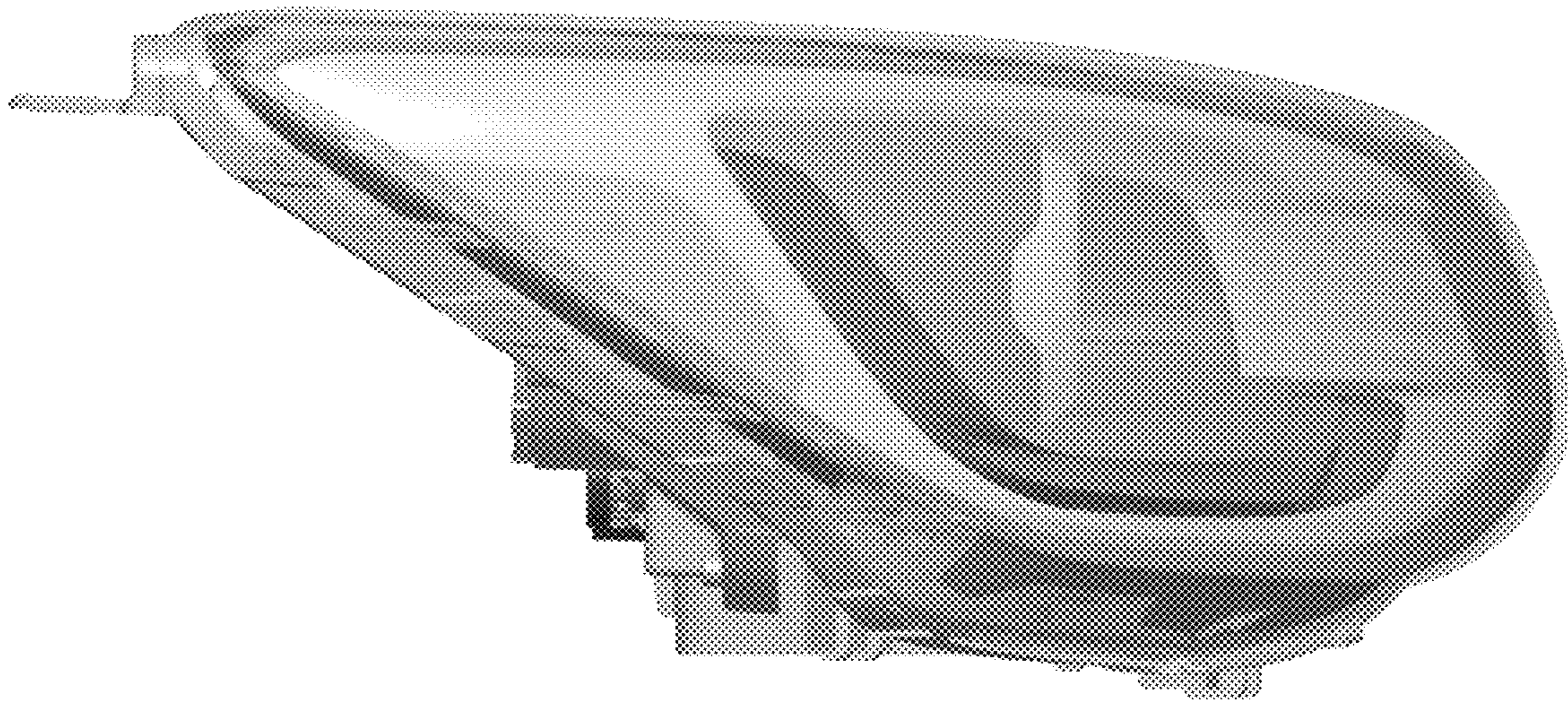




1.3

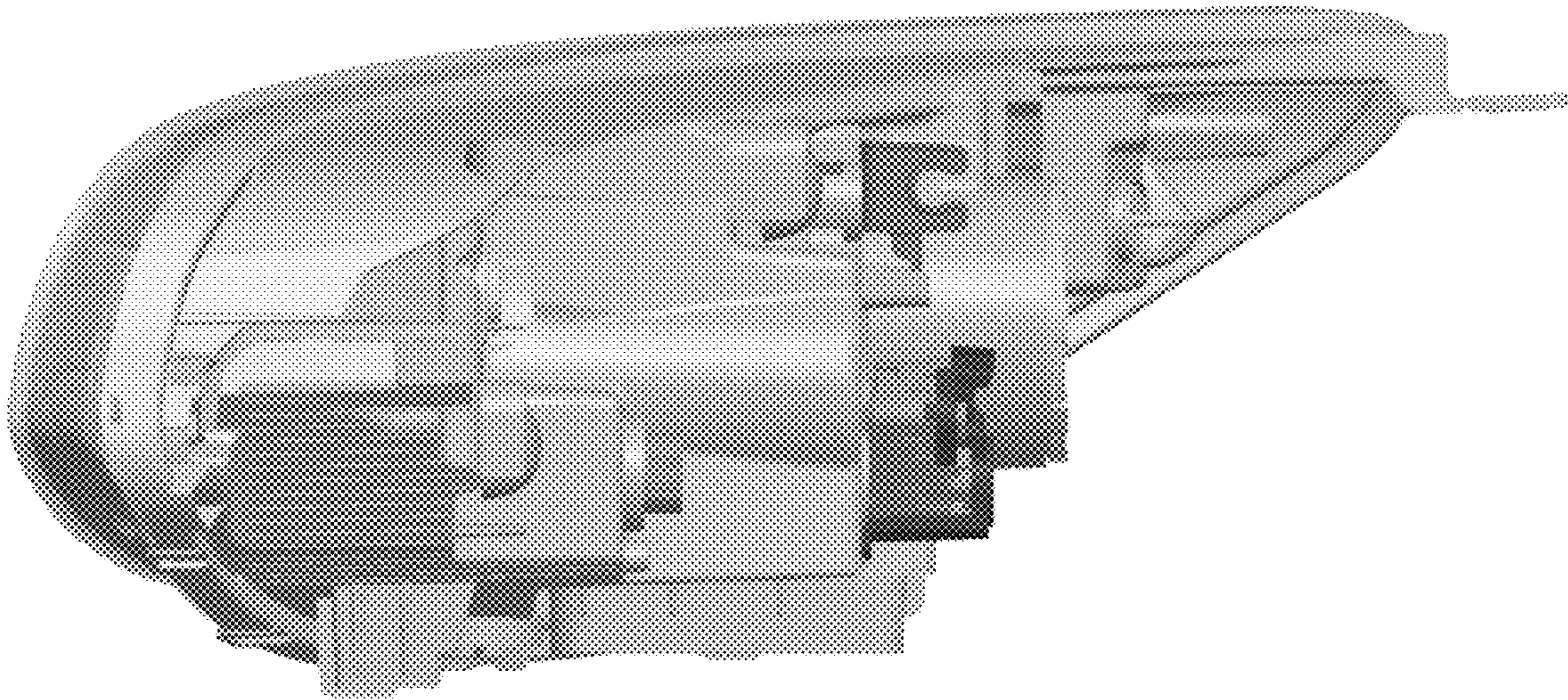


1.4



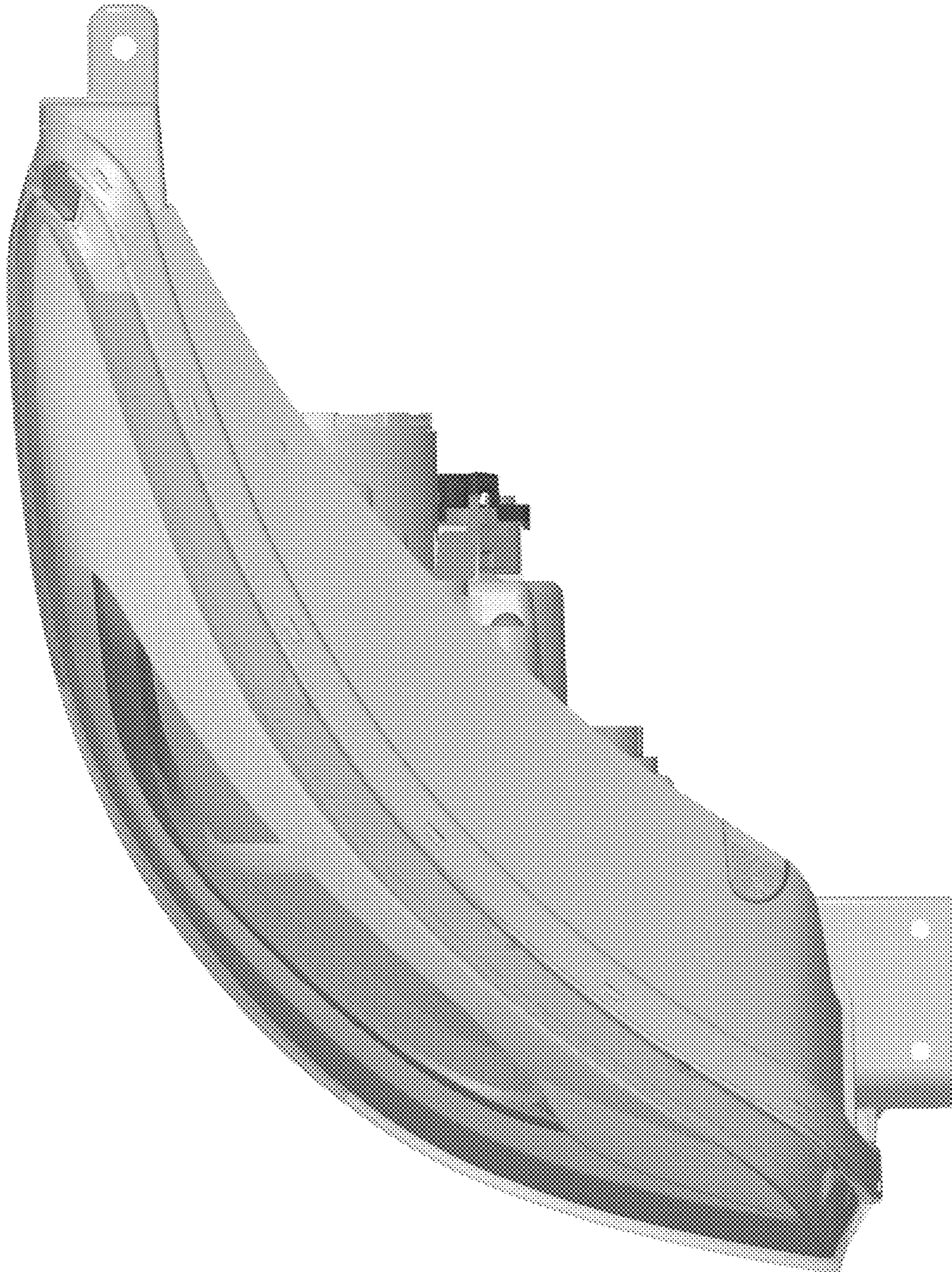


1.5





1.6





1.7

