



US00D816873S

(12) **United States Design Patent** (10) **Patent No.:** **US D816,873 S**
Suzuki (45) **Date of Patent:** **** May 1, 2018**

(54) **LAMP UNIT FOR A PROJECTOR**

(56) **References Cited**

(71) Applicant: **SEIKO EPSON CORPORATION,**
Tokyo (JP)

U.S. PATENT DOCUMENTS

(72) Inventor: **Takahiro Suzuki,** Matsumoto (JP)

D390,993 S * 2/1998 Crawford D26/63
D564,688 S * 3/2008 Korpi D26/63
D743,077 S * 11/2015 Eustace D26/63

(73) Assignee: **SEIKO EPSON CORPORATION,**
Tokyo (JP)

* cited by examiner

(**) Term: **15 Years**

Primary Examiner — Brian N. Vinson

(21) Appl. No.: **29/582,323**

(57) **CLAIM**

The ornamental design for a lamp unit for a projector, as shown and described.

(22) Filed: **Oct. 27, 2016**

DESCRIPTION

(30) **Foreign Application Priority Data**

Apr. 28, 2016 (JP) 2016-009420

(51) **LOC (11) Cl.** **26-02**

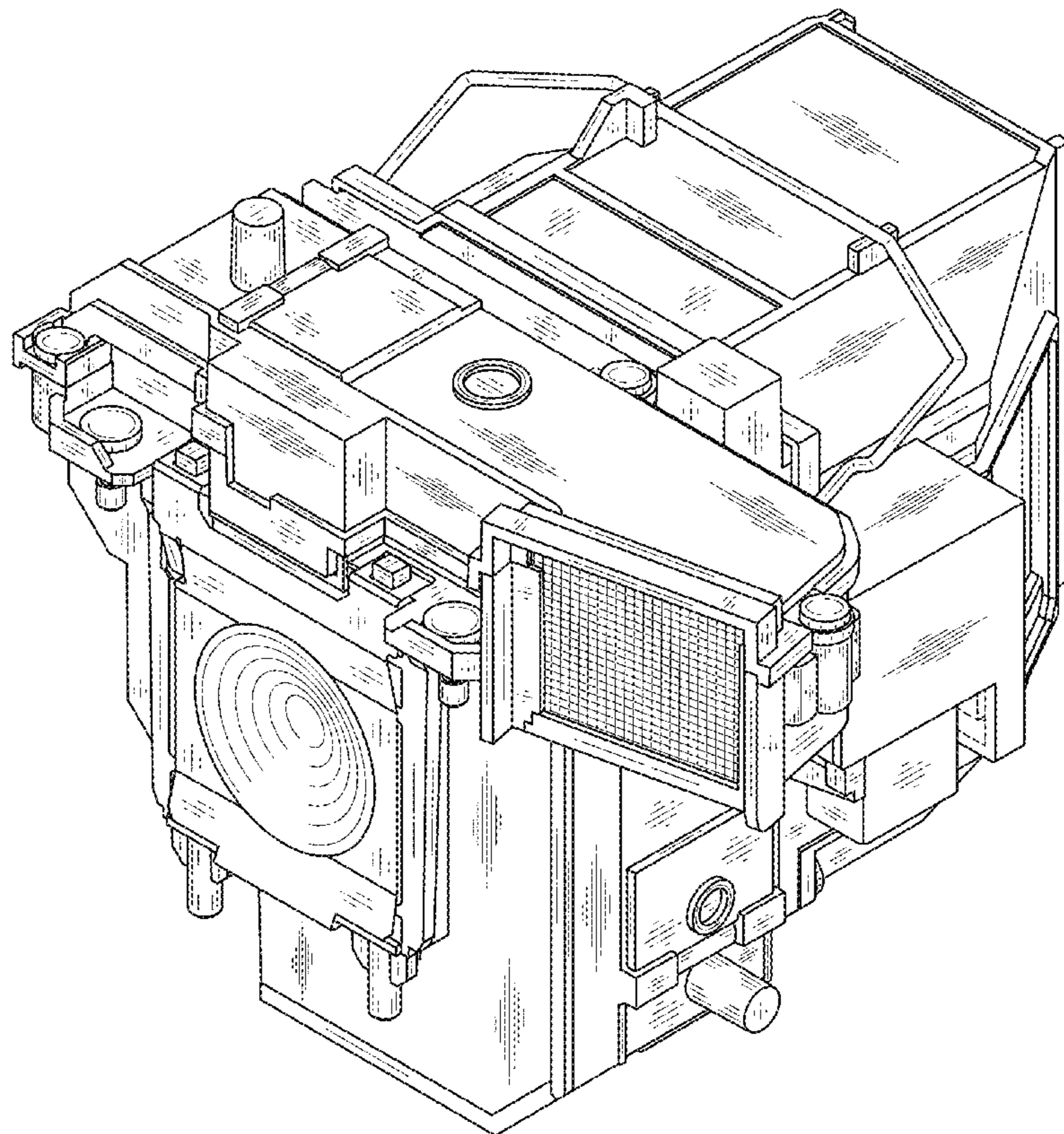
(52) **U.S. Cl.**
USPC **D26/24**

(58) **Field of Classification Search**
USPC D26/1, 24, 61, 63, 65, 85, 92
CPC F21V 21/14; F21V 15/01; F21V 14/02;
F21V 21/30; F21V 21/00; F21V 14/00;
F21S 8/00; F21S 8/003; F21S 8/043;
F21Y 2105/001

FIG. 1 is a front, top and right side perspective view of a lamp unit for a projector showing my new design;
FIG. 2 is a rear, bottom, and left side perspective view thereof;
FIG. 3 is a front view thereof;
FIG. 4 is a rear view thereof;
FIG. 5 is a top plan view thereof;
FIG. 6 is a bottom plan view thereof;
FIG. 7 is a right side view thereof; and,
FIG. 8 is a left side view thereof.
Broken lines illustrate portions of the lamp unit for a projector and form no part of the claimed design.

See application file for complete search history.

1 Claim, 8 Drawing Sheets



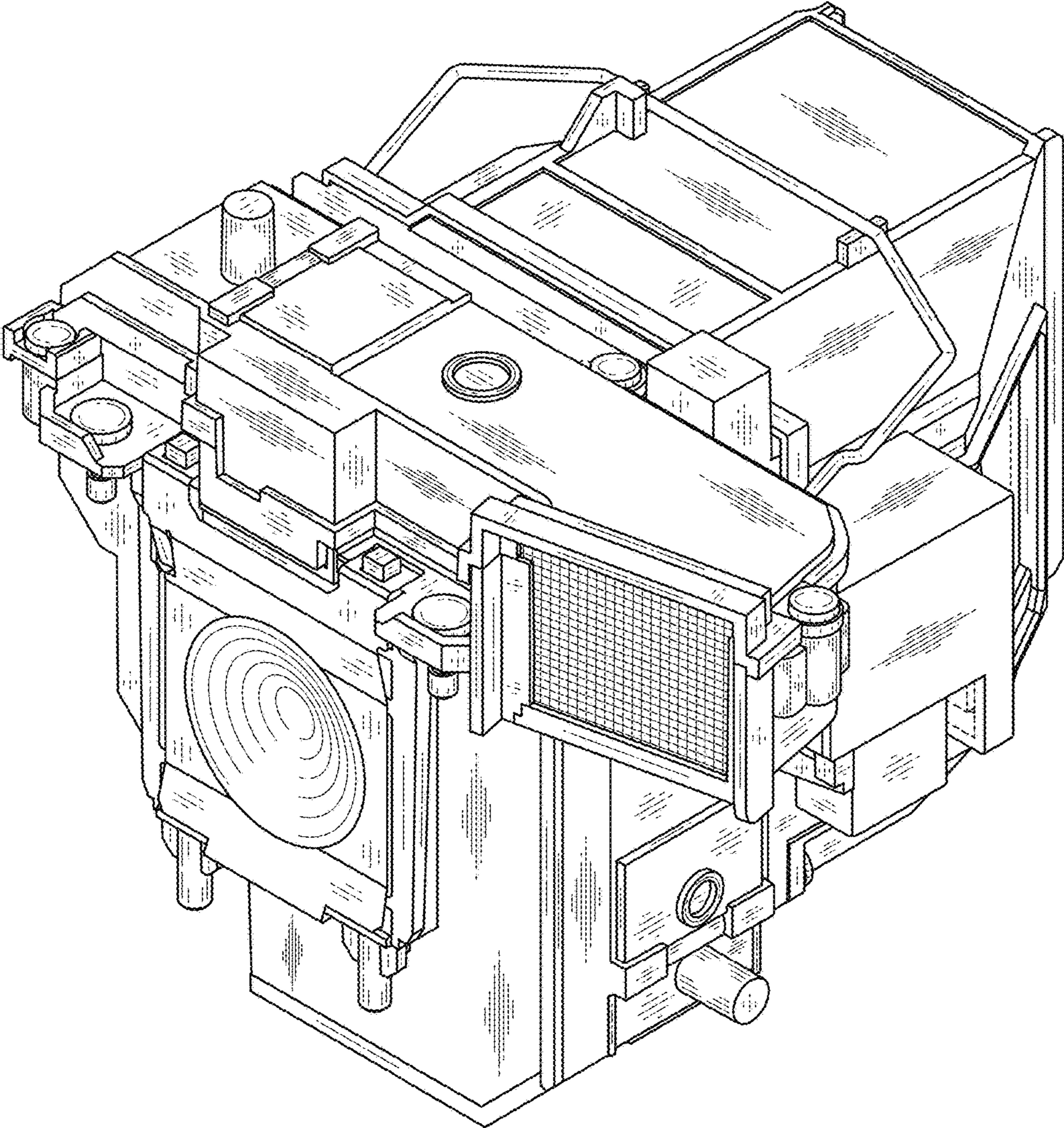


FIG. 1

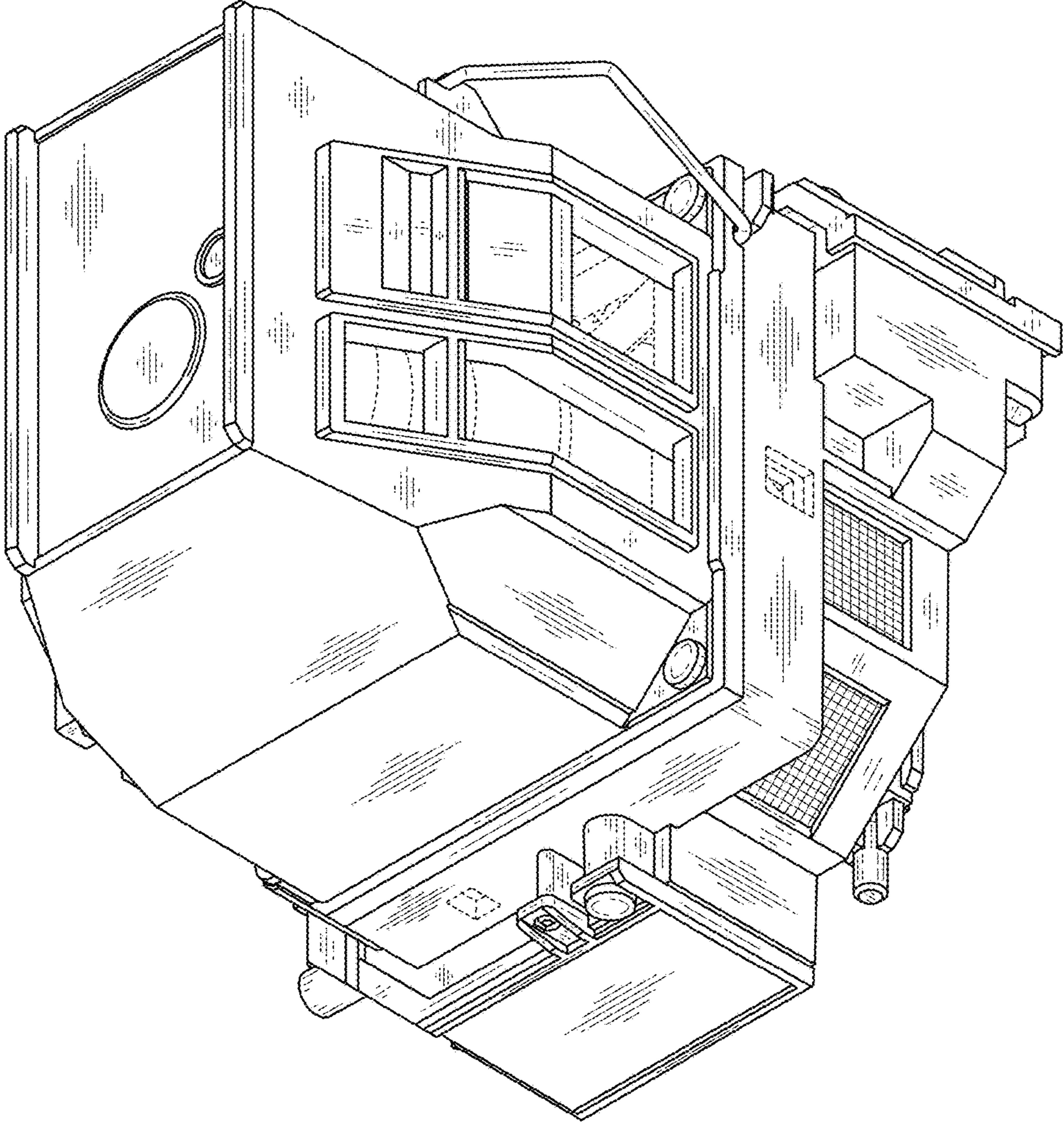


FIG. 2

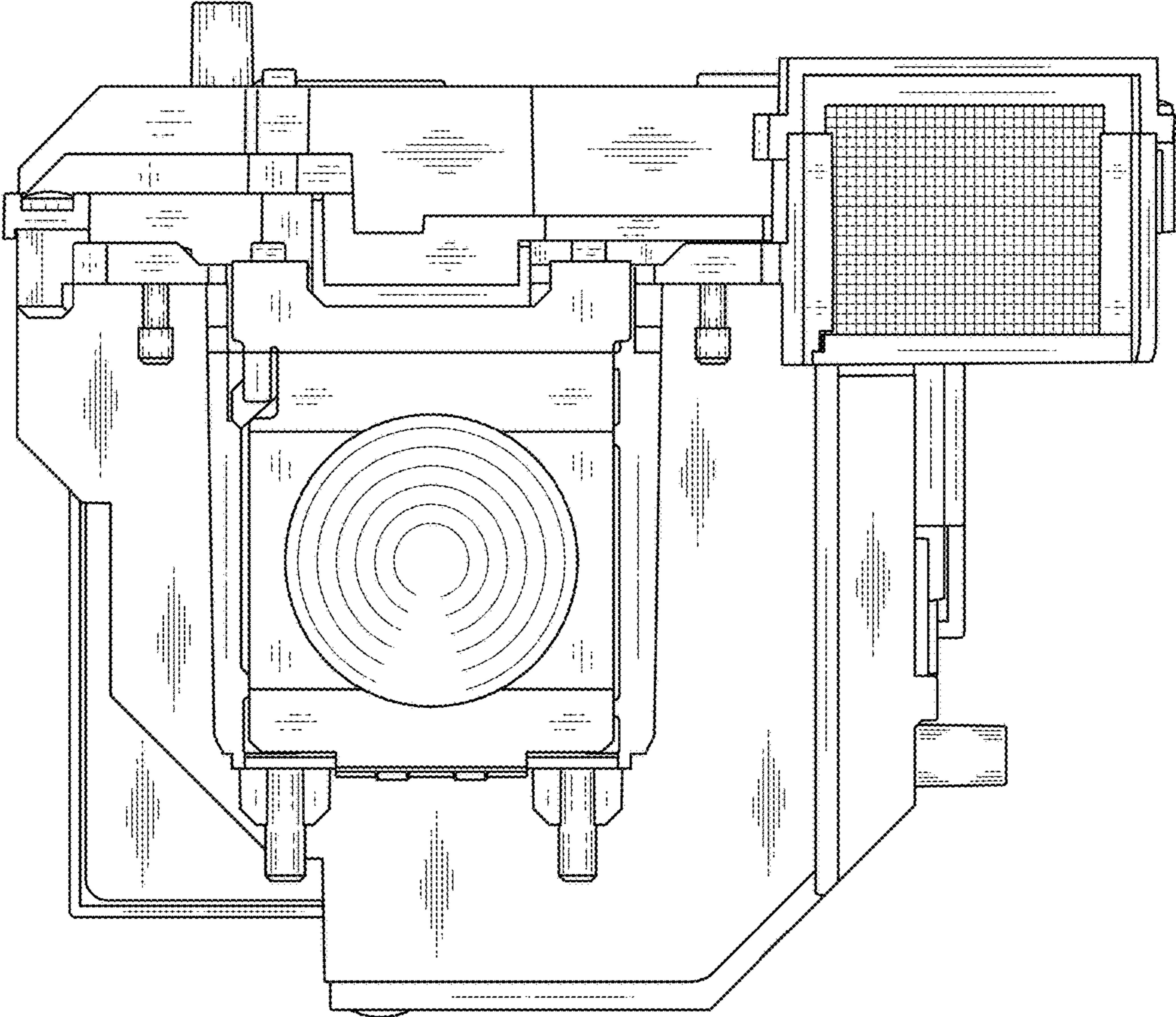


FIG. 3

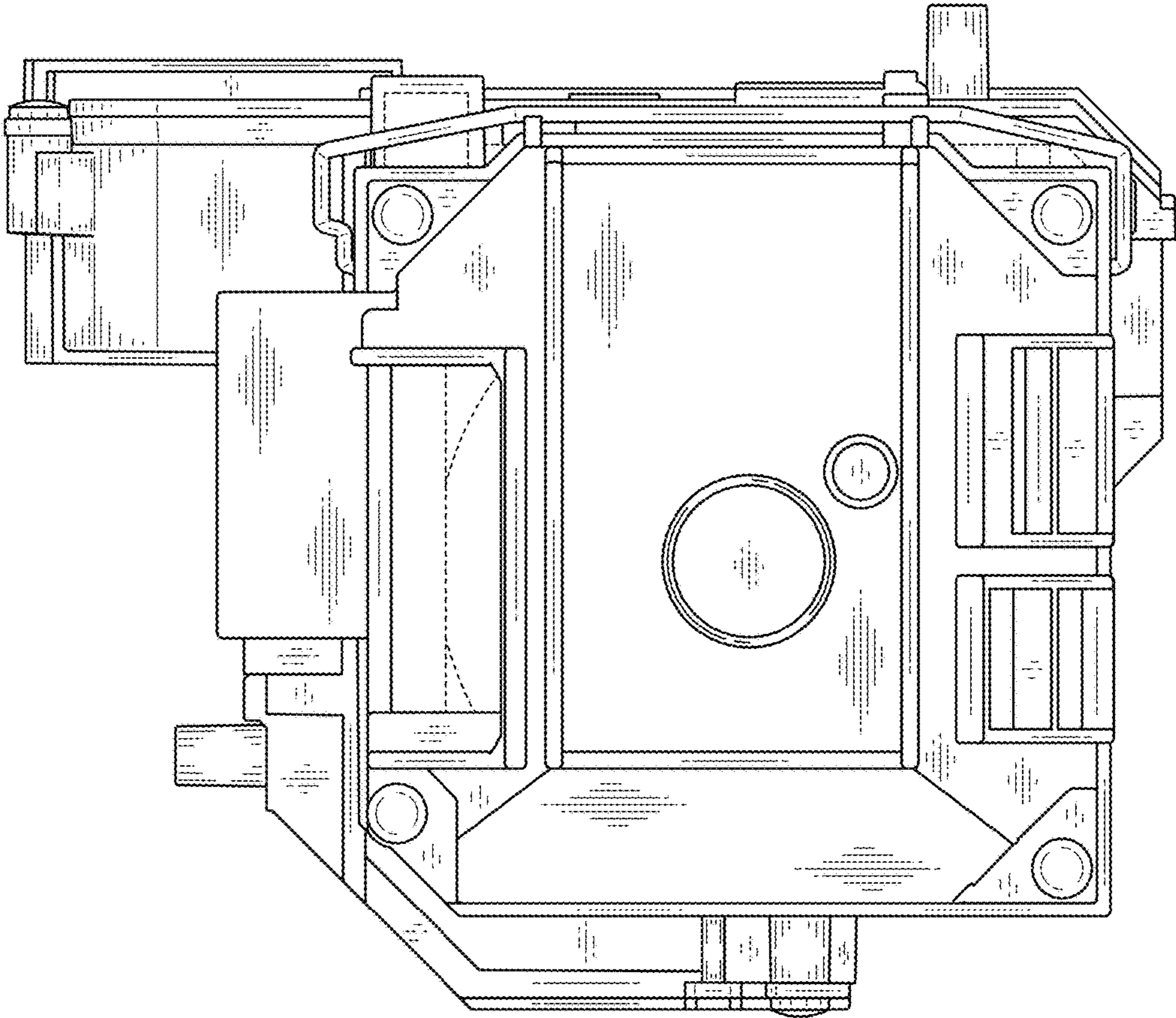


FIG. 4

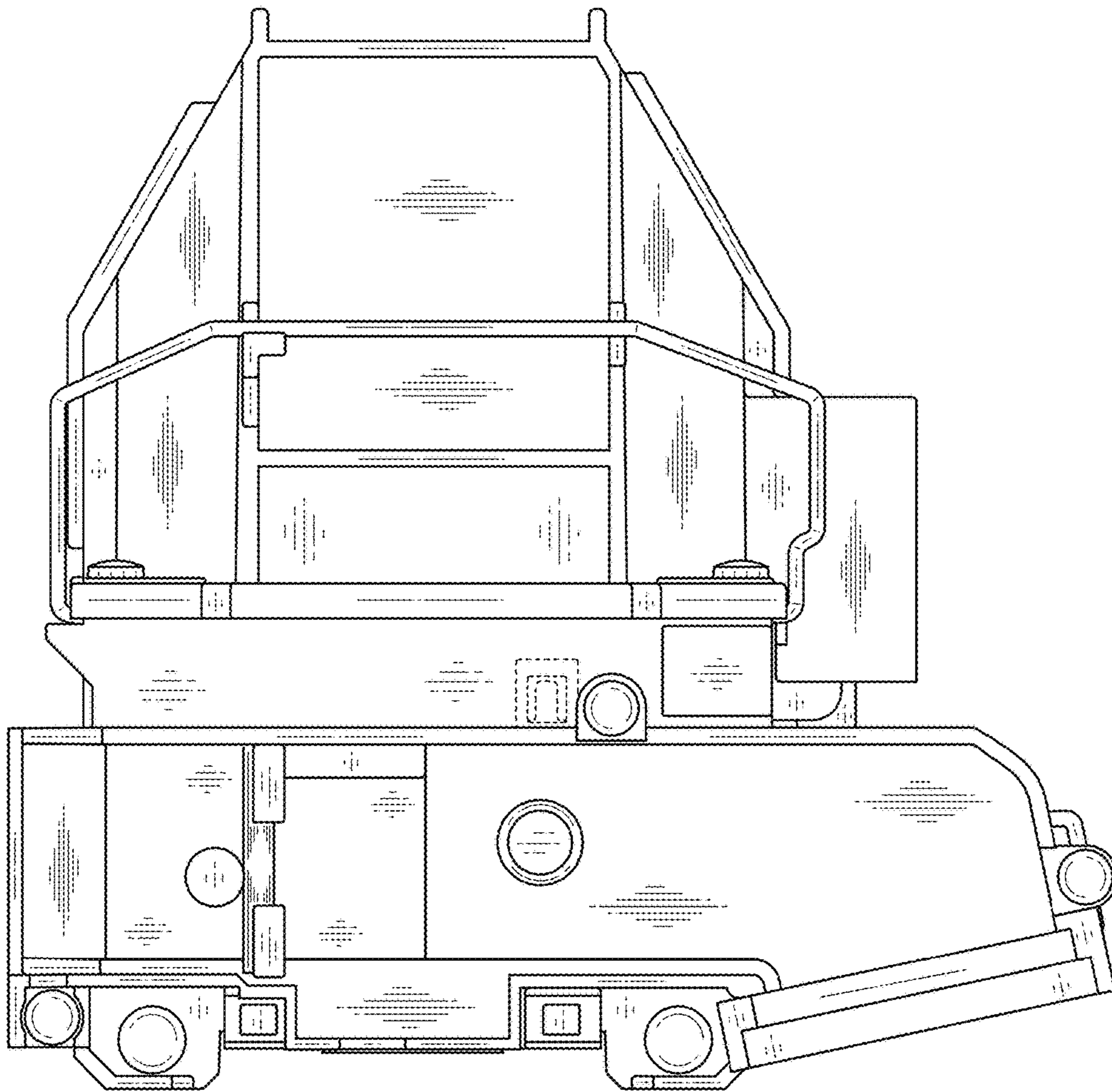


FIG. 5

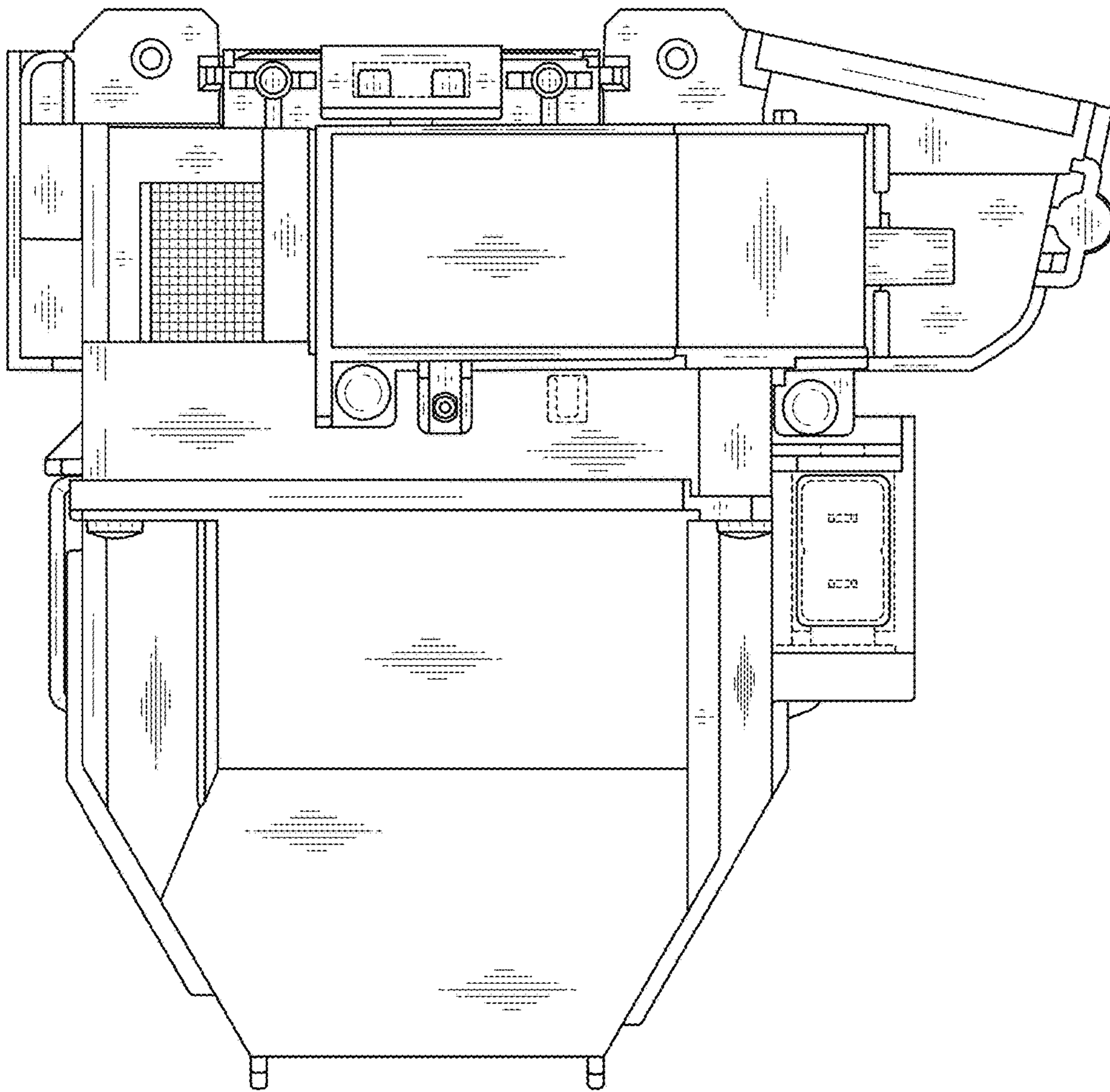


FIG. 6

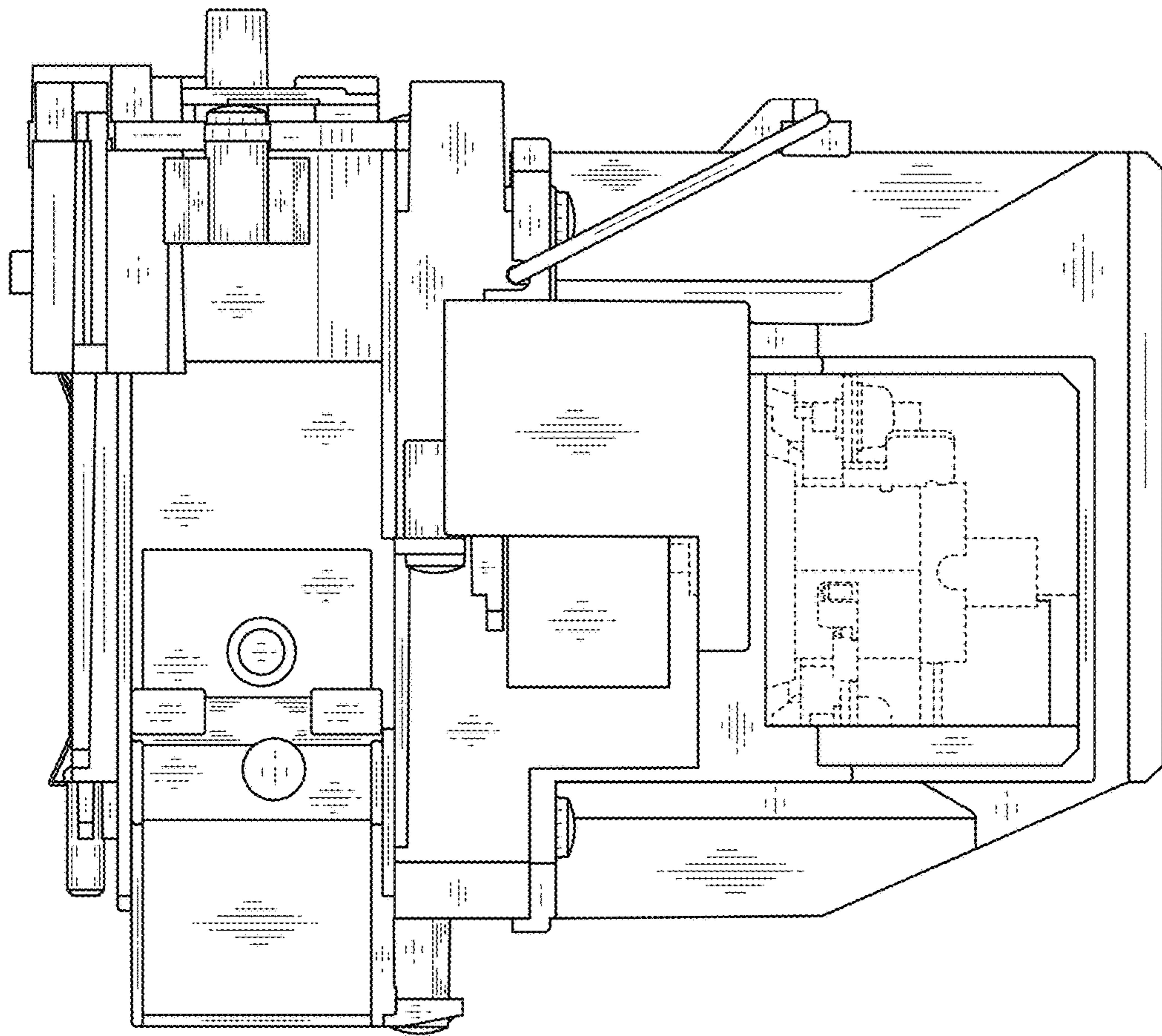


FIG. 7

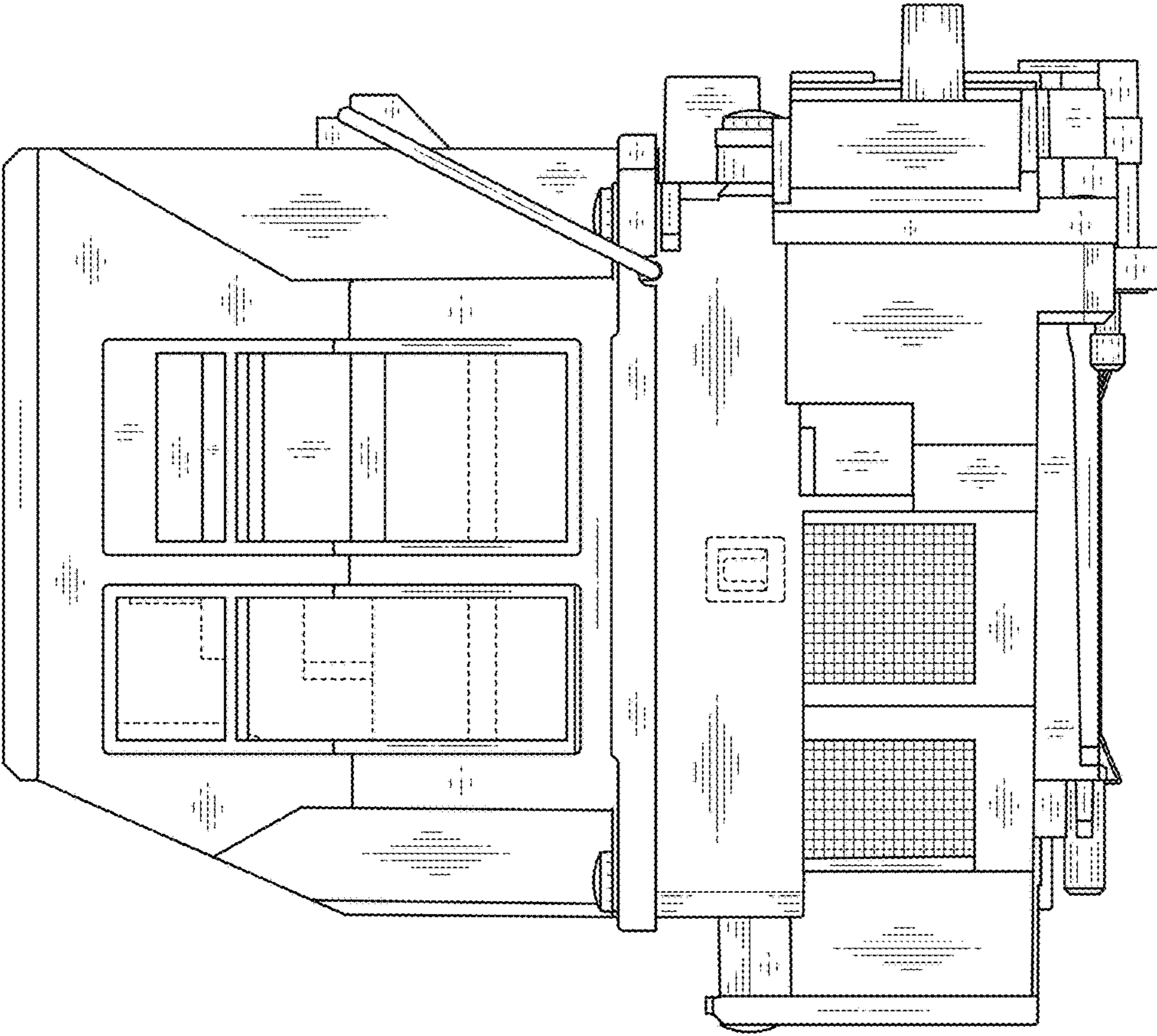


FIG. 8