



US00D816872S

(12) **United States Design Patent** (10) **Patent No.:** **US D816,872 S**
Davis et al. (45) **Date of Patent:** **** May 1, 2018**

(54) **HOLDER FOR DISPENSER ELEMENT AND CANDLE**

D7/523, 507, 500, 510, 524, 511; D34/1;
D9/500-505, 462, 516, 370, 399, 373,
D9/519, 549, 555, 776, 778;
D23/355-369

(71) Applicant: **S. C. Johnson & Son, Inc.**, Racine, WI (US)

CPC F21V 35/00; F21V 35/003; F21V 35/006;
F21V 37/00; F21V 37/0008; F21V 37/0058; F21V 37/0095; A61L 9/037;
A61L 9/127; F21S 13/00; F21S 13/12;
C11C 5/00; A01M 1/2088

(72) Inventors: **Brian T. Davis**, Burlington, WI (US);
Shih-Tung Chang, Brookline, MA (US); **Jacob S. Childs**, Los Angeles, CA (US); **Michel D. Arney**, Wellesley, MA (US)

See application file for complete search history.

(73) Assignee: **S.C. Johnson & Son, Inc.**, Racine, WI (US)

(56) **References Cited**

(**) Term: **15 Years**

U.S. PATENT DOCUMENTS

(21) Appl. No.: **29/578,999**

D120,587 S *	5/1940	Hinkins	D7/532
D519,322 S *	4/2006	Hutton	D11/143
D553,308 S *	10/2007	Klein	D30/199
D575,987 S *	9/2008	Williams	D7/509
D723,676 S *	3/2015	Davis	D23/366
D729,371 S *	5/2015	Davis	D23/366

(22) Filed: **Sep. 27, 2016**

* cited by examiner

Related U.S. Application Data

Primary Examiner — T. Chase Nelson
Assistant Examiner — Ania Aman

(62) Division of application No. 29/539,883, filed on Sep. 18, 2015, now Pat. No. Des. 771,846, which is a division of application No. 29/492,182, filed on May 29, 2014, now Pat. No. Des. 742,040.

(57) **CLAIM**

The ornamental design for a holder for dispenser element and candle, as shown and described.

(51) **LOC (11) Cl.** **26-01**

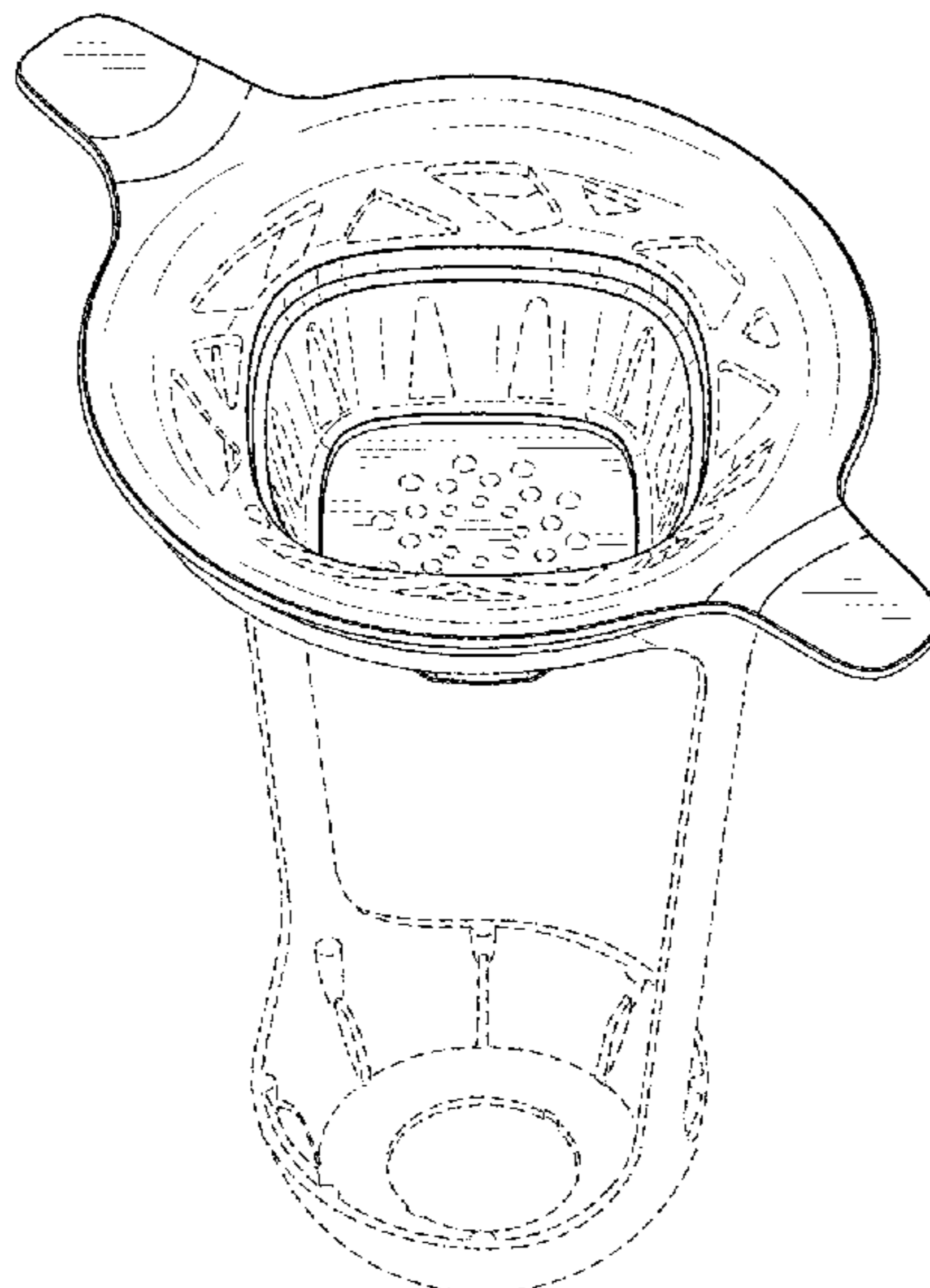
DESCRIPTION

(52) **U.S. Cl.**
USPC **D26/23**

(58) **Field of Classification Search**
USPC D26/22, 9, 1, 19, 20, 52, 6, 10, 11, 12, D26/13, 14, 15, 16, 7, 23, 96, 101, 102, D26/116; 431/589, 290-295, 288, 125, 431/126, 366, 369; 392/418, 390, 392/403-406; D11/155, 143, 146, 147, D11/153, 156, 164, 152; D7/553.6, 545, D7/542, 553.7, 587, 598, 6, 7, 8, 9, 10, D7/11, 13, 14, 15, 396.2, 526-528, D7/530-532, 540, 565, 584, 900, 509,

FIG. 1 is an upper frontal perspective view of a holder for dispenser element and candle showing our new design;
FIG. 2 is a front elevational, and also a rear elevational, view thereof;
FIG. 3 is a right side elevational, and also left side elevational, view thereof;
FIG. 4 is a top plan view thereof; and,
FIG. 5 is a bottom plan view thereof.
The broken lines in FIGS. 1-5 are for environmental purposes only and form no part of the claimed design.

1 Claim, 4 Drawing Sheets



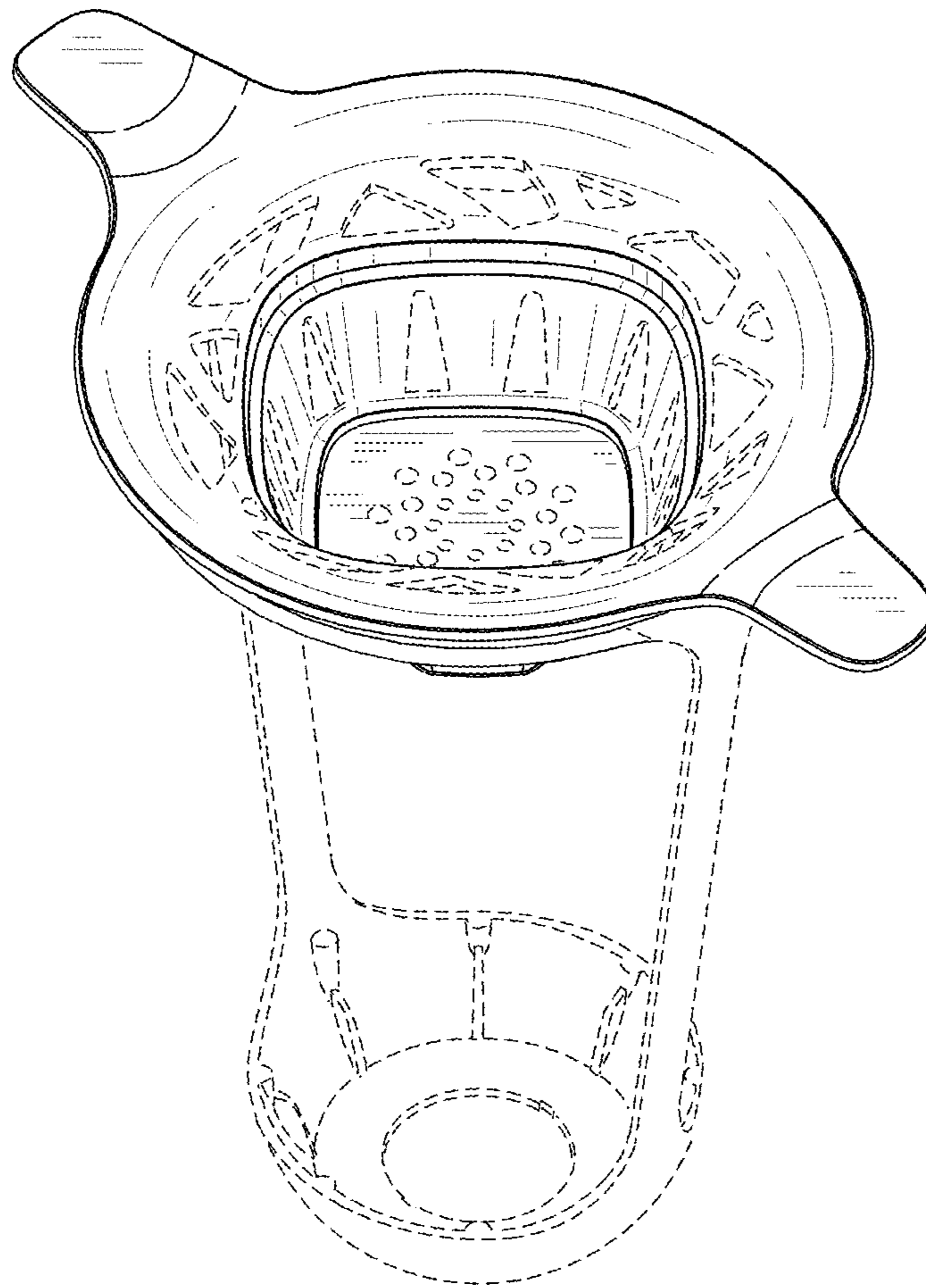


FIG. 1

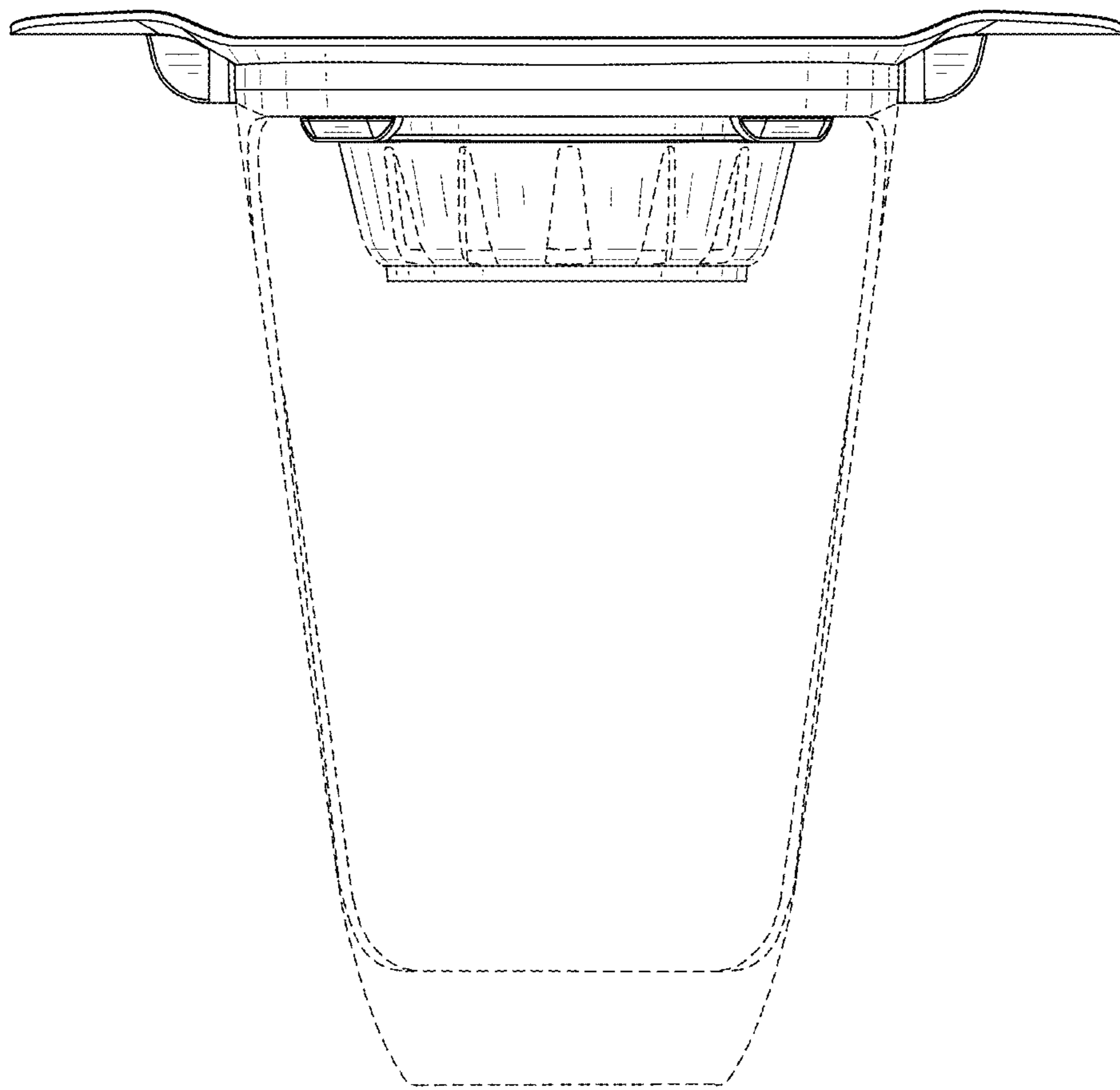


FIG. 2

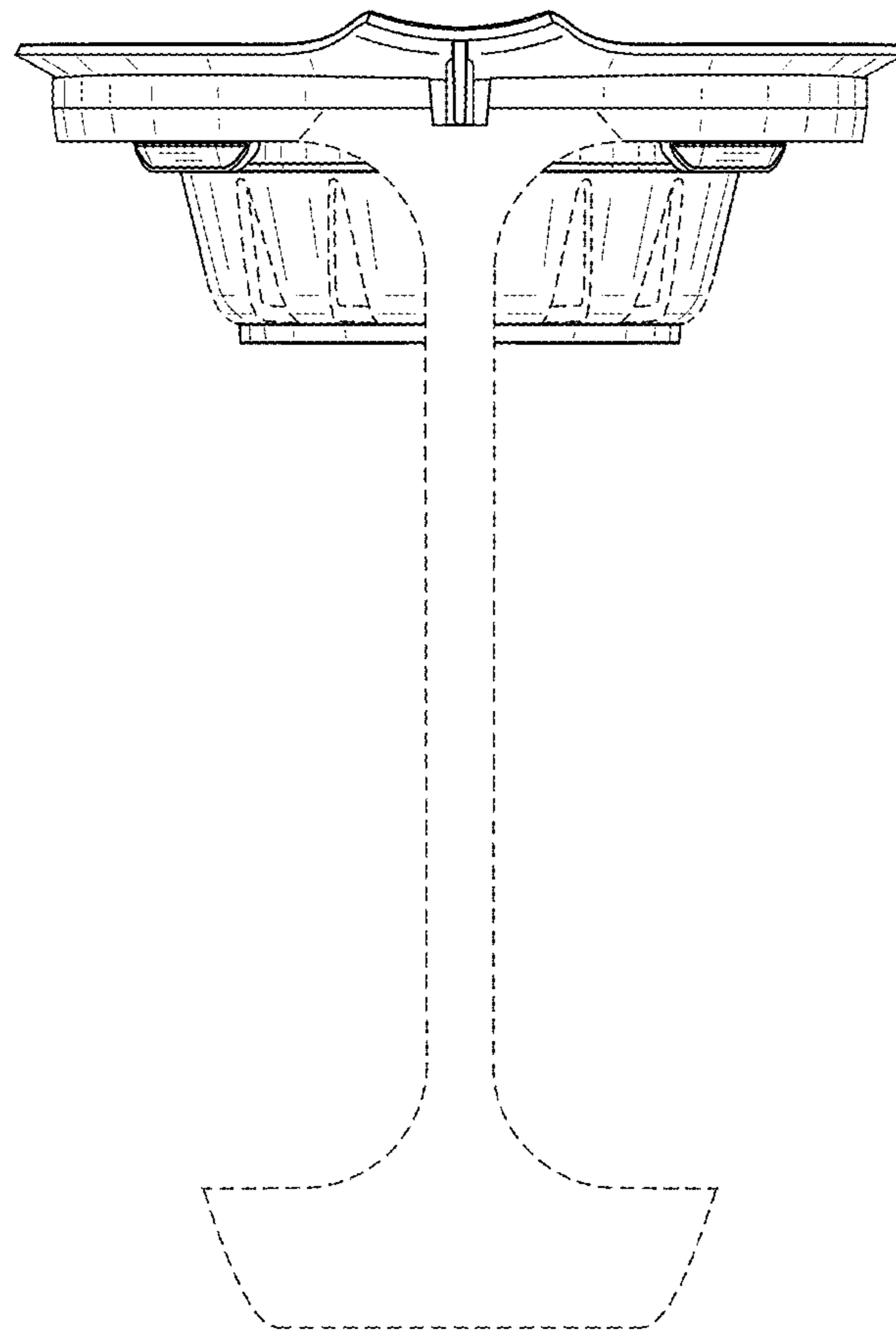


FIG. 3

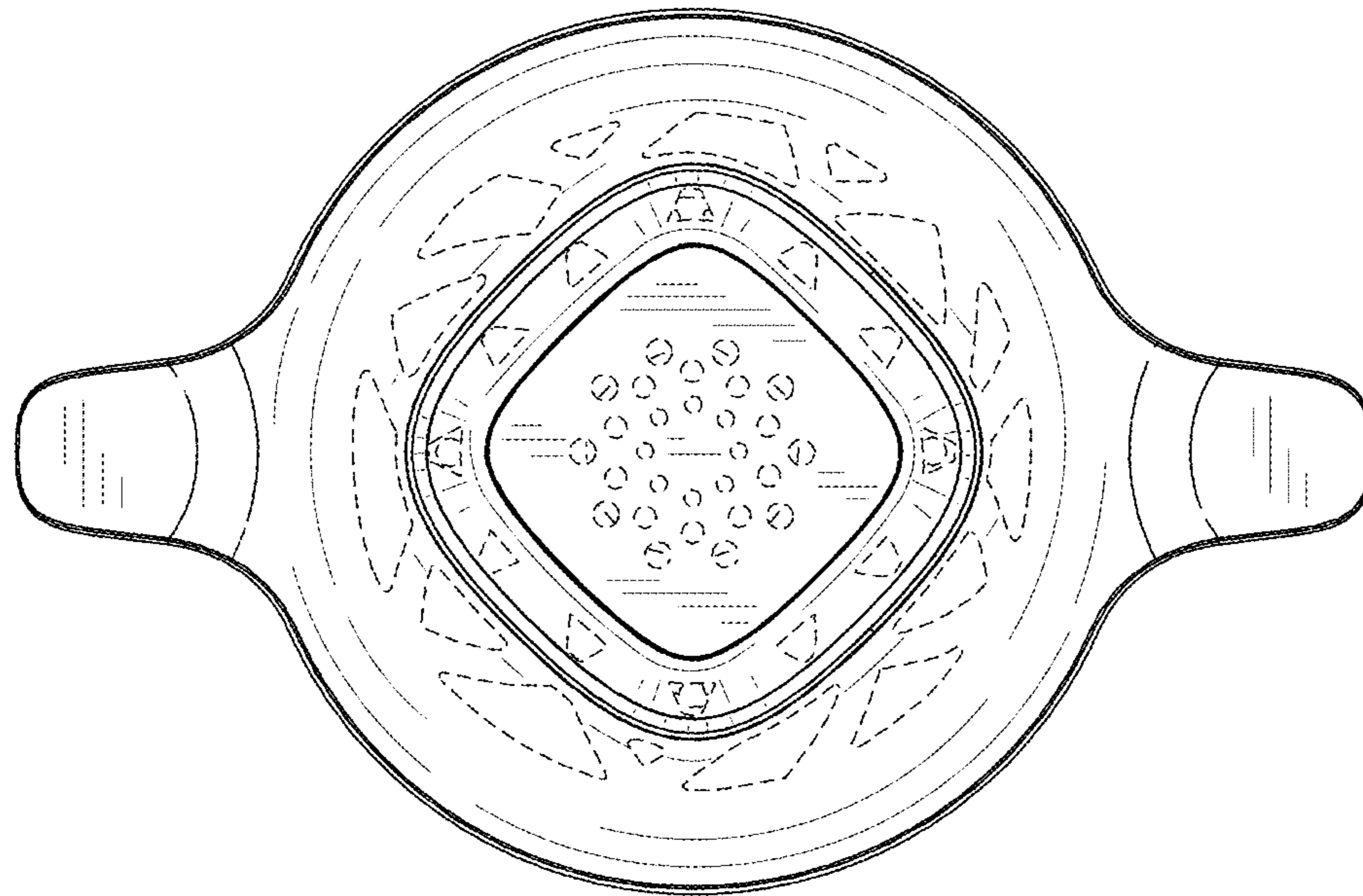


FIG. 4

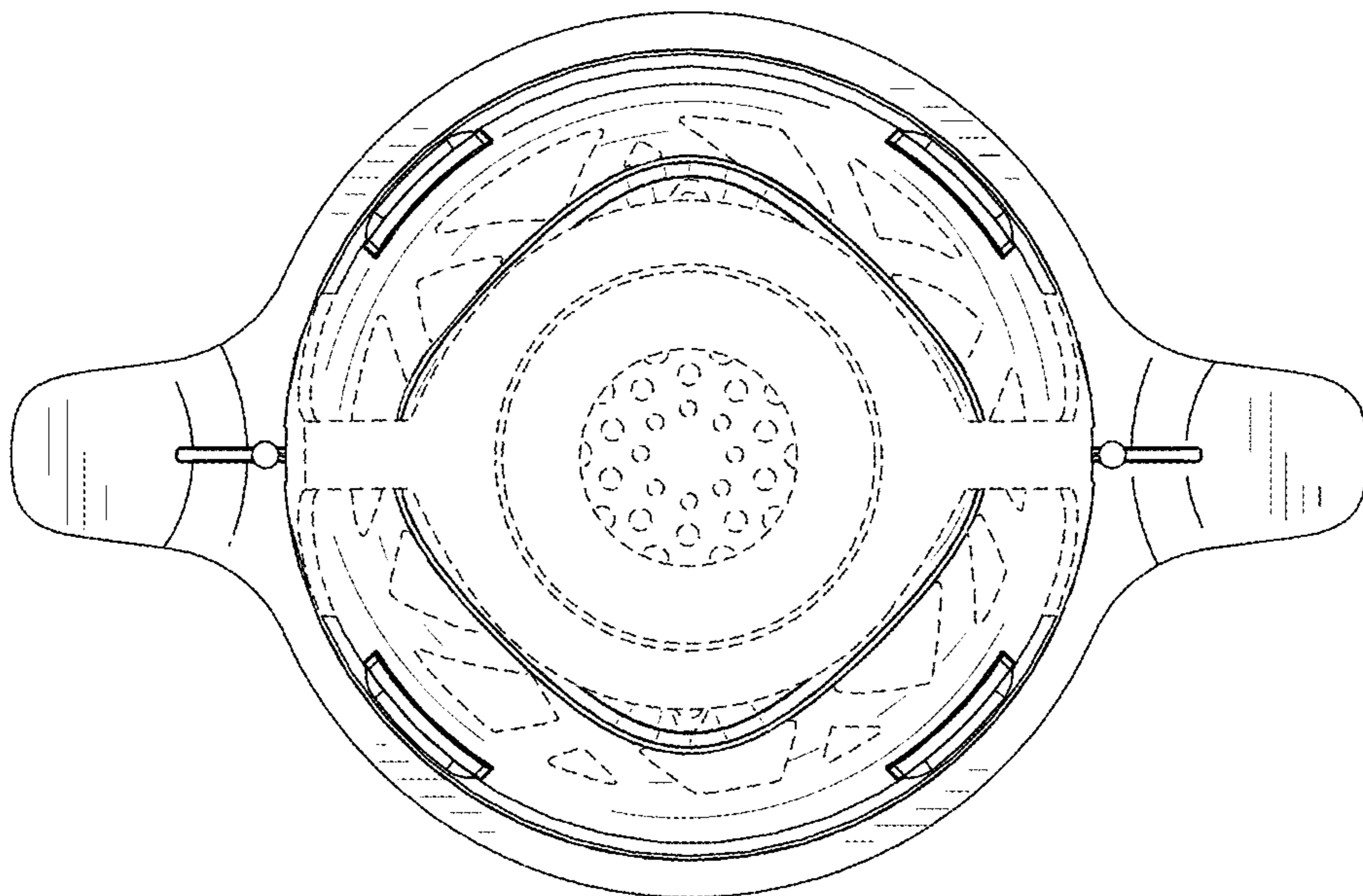


FIG. 5