



US00D816871S

(12) **United States Design Patent** (10) **Patent No.:** **US D816,871 S**
Xu et al. (45) **Date of Patent:** **** May 1, 2018**

(54) **BULB LENS**

(56) **References Cited**

(71) Applicant: **PHILIPS LIGHTING HOLDING B.V.**, Eindhoven (NL)

U.S. PATENT DOCUMENTS

(72) Inventors: **Phoenix Yf Xu**, Shanghai (CN); **Qing Guo**, Shanghai (CN); **Cheng Ming Pu**, Shanghai (CN); **Tommy R. Chen**, Shanghai (CN)

D610,275 S *	2/2010	Cho	D26/2
D645,986 S *	9/2011	Taylor	D26/2
D657,075 S *	4/2012	Guohui	D26/2
D664,274 S *	7/2012	de Visser	D26/2
D670,414 S *	11/2012	Guohui	D26/2
D673,308 S *	12/2012	Tsai	D26/2
D686,761 S *	7/2013	Ottobre	D26/2
D697,236 S *	1/2014	Rioux	D26/2
D706,465 S *	6/2014	Rochat	D26/2
D729,418 S *	5/2015	Baum	D26/1
D732,211 S *	6/2015	Cho	D26/2
D732,709 S *	6/2015	Allen	D26/2
D735,900 S *	8/2015	Bukkems	D26/1
D736,429 S *	8/2015	Wang	D26/2
D738,001 S *	9/2015	Wang	D26/2
D756,542 S *	5/2016	Li	D26/2
D770,645 S *	11/2016	Kim	D26/2
D781,468 S *	3/2017	Shum	D26/2

(73) Assignee: **PHILIPS LIGHTING HOLDING B.V.**, Eindhoven (NL)

(**) Term: **15 Years**

(21) Appl. No.: **35/500,861**

(22) Filed: **Oct. 26, 2015**

(80) **Hague Agreement Data**

Int. Filing Date: **Oct. 26, 2015**
Int. Reg. No.: **DM/088034**
Int. Reg. Date: **Oct. 26, 2015**
Int. Reg. Pub. Date: **Apr. 29, 2016**

* cited by examiner

Primary Examiner — Richard E Chilcot

(30) **Foreign Application Priority Data**

May 15, 2015 (EM) 002701086-0001

(51) **LOC (11) Cl.** **26-04**

(52) **U.S. Cl.**
USPC **D26/2**
CPC **F21V 5/00 (2013.01)**

(58) **Field of Classification Search**
USPC D26/1-9; 313/313-318, 493; 315/52-58
CPC ... F21V 5/00; F21K 9/13; F21K 9/135; F21K 9/1375; H01J 5/00; H01J 5/48; H01J 5/50; H01J 19/54

See application file for complete search history.

(57) **CLAIM**

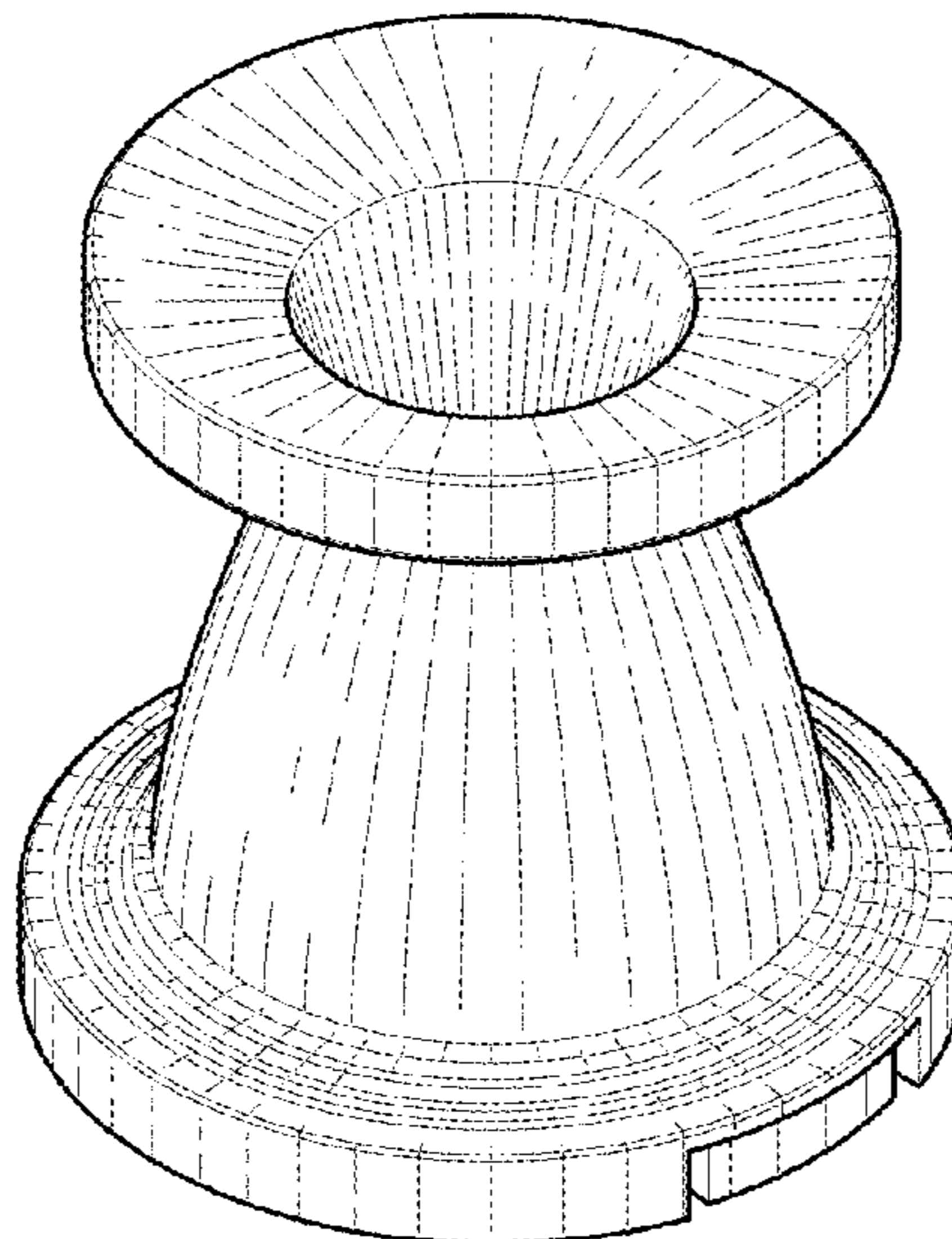
The ornamental design for a bulb lens, as shown and described.

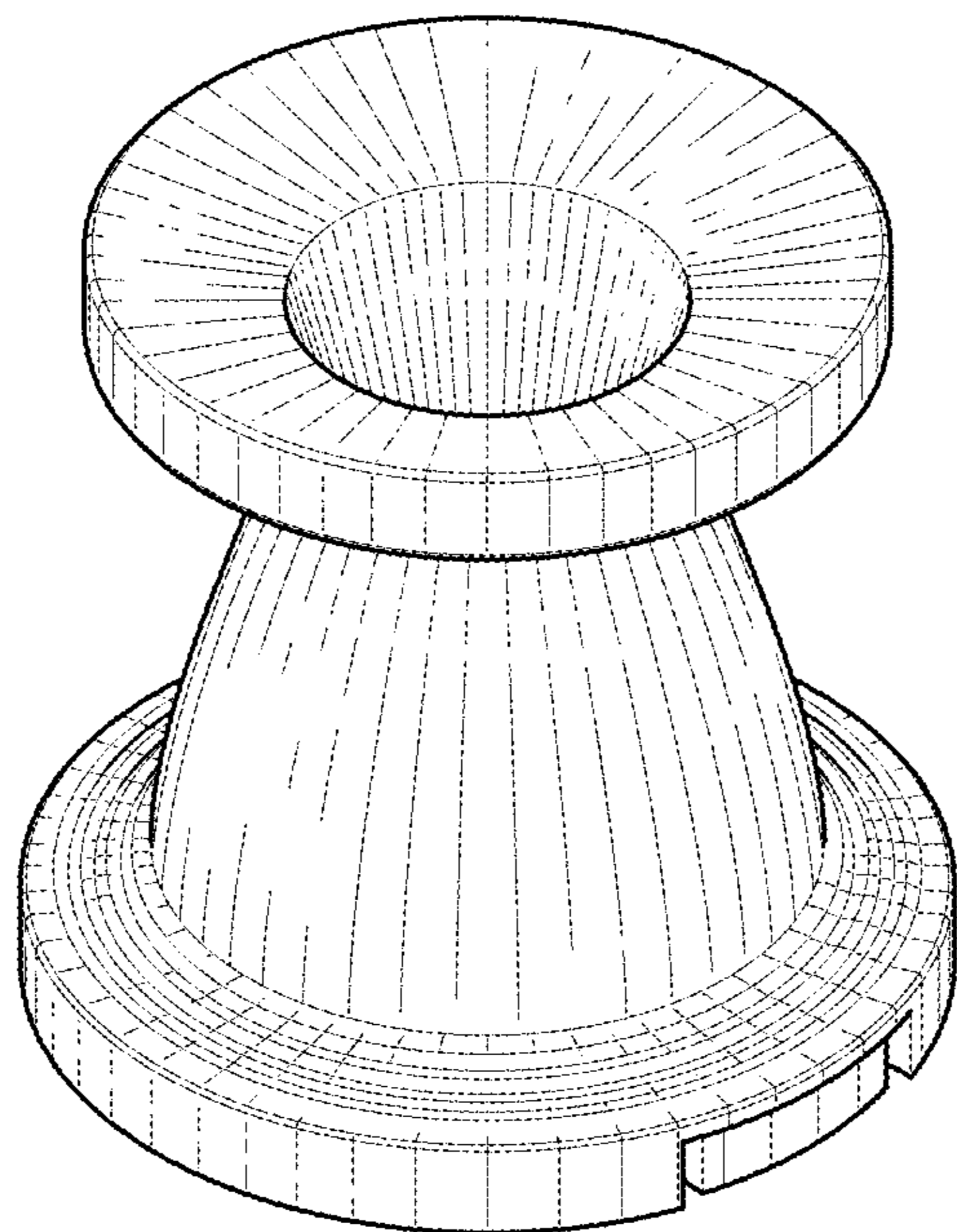
DESCRIPTION

- 1.1 is a perspective view showing my design;
- 1.2 is a front elevational view thereof;
- 1.3 is a rear elevational view thereof;
- 1.4 is a right side elevational view thereof;
- 1.5 is a left side elevational view thereof;
- 1.6 is a top plan view thereof;
- 1.7 is a bottom plan view thereof.

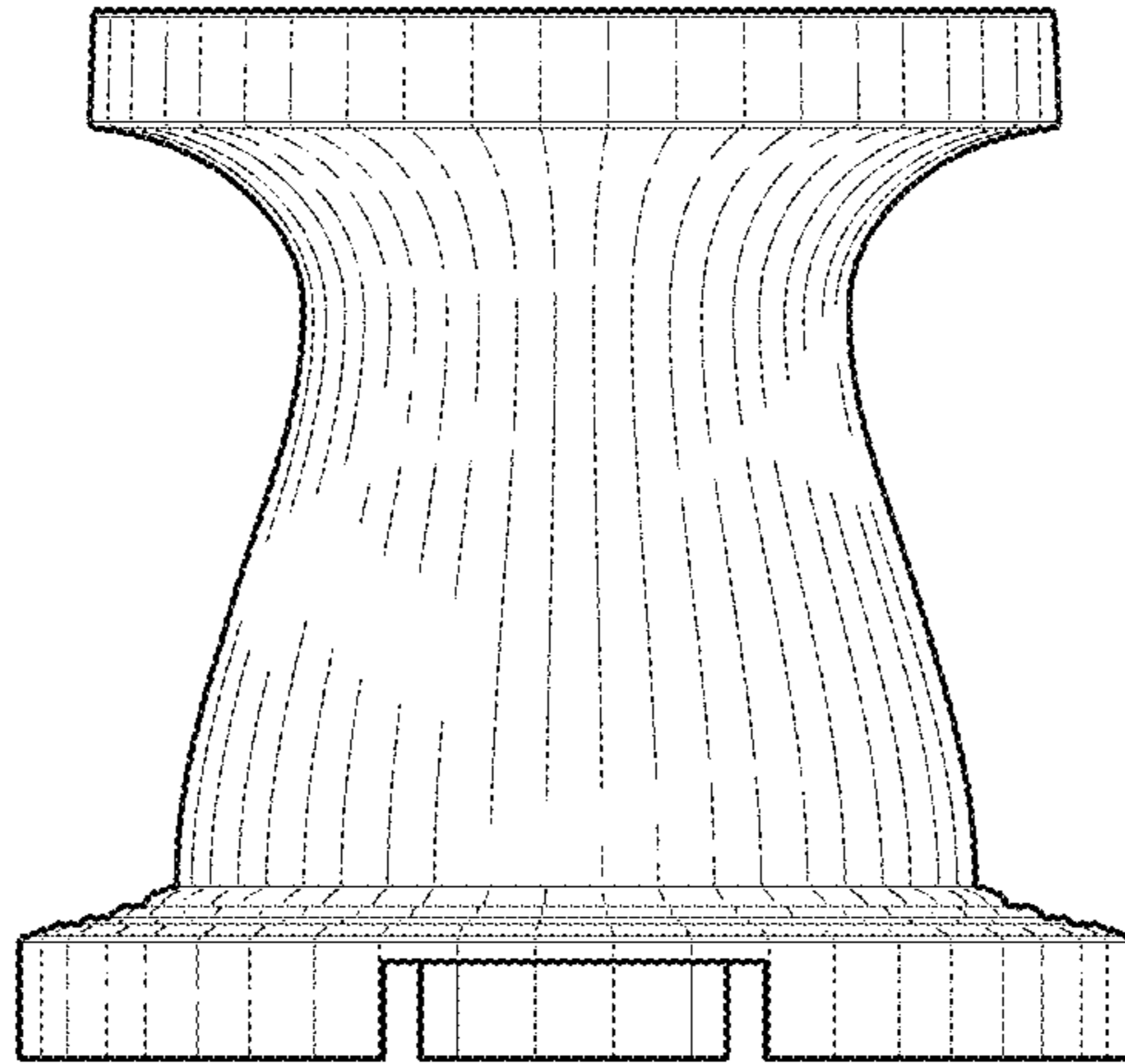
The dash-dot-dash broken lines shown represent the bounds of the claim and forms no part thereof and the dashed broken lines shown therein illustrate portions of the luminaire that form no part of the claimed design.

1 Claim, 4 Drawing Sheets

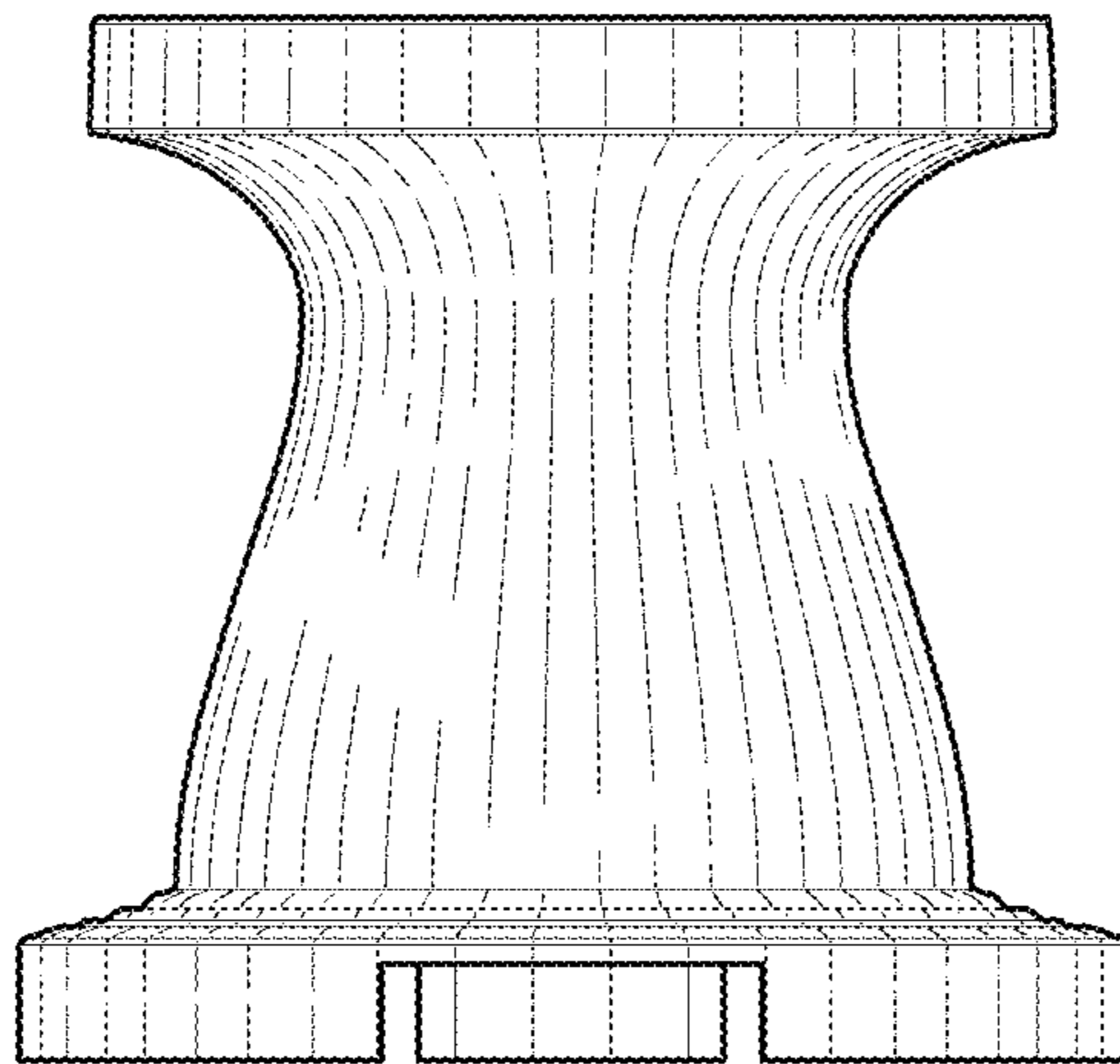




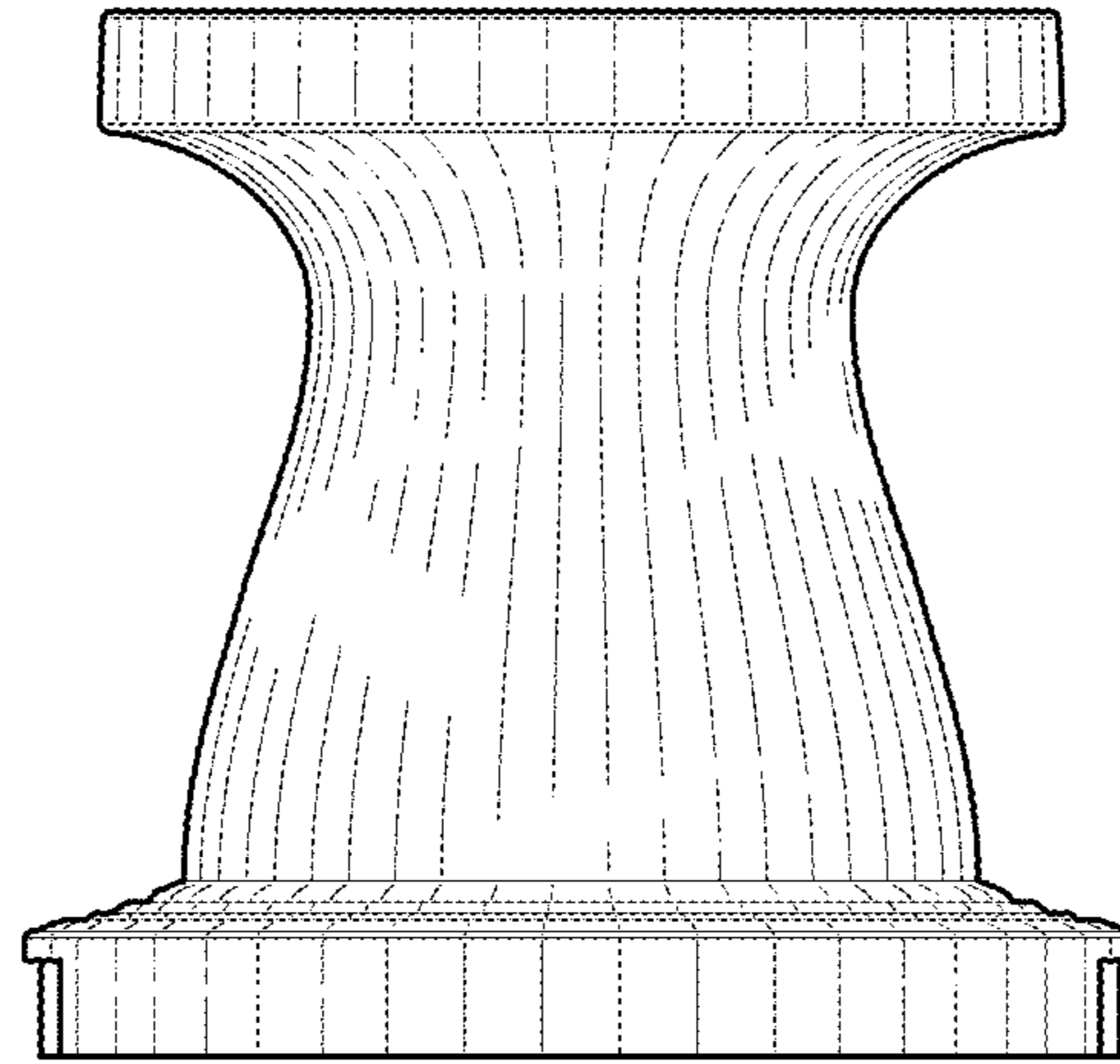
1.1



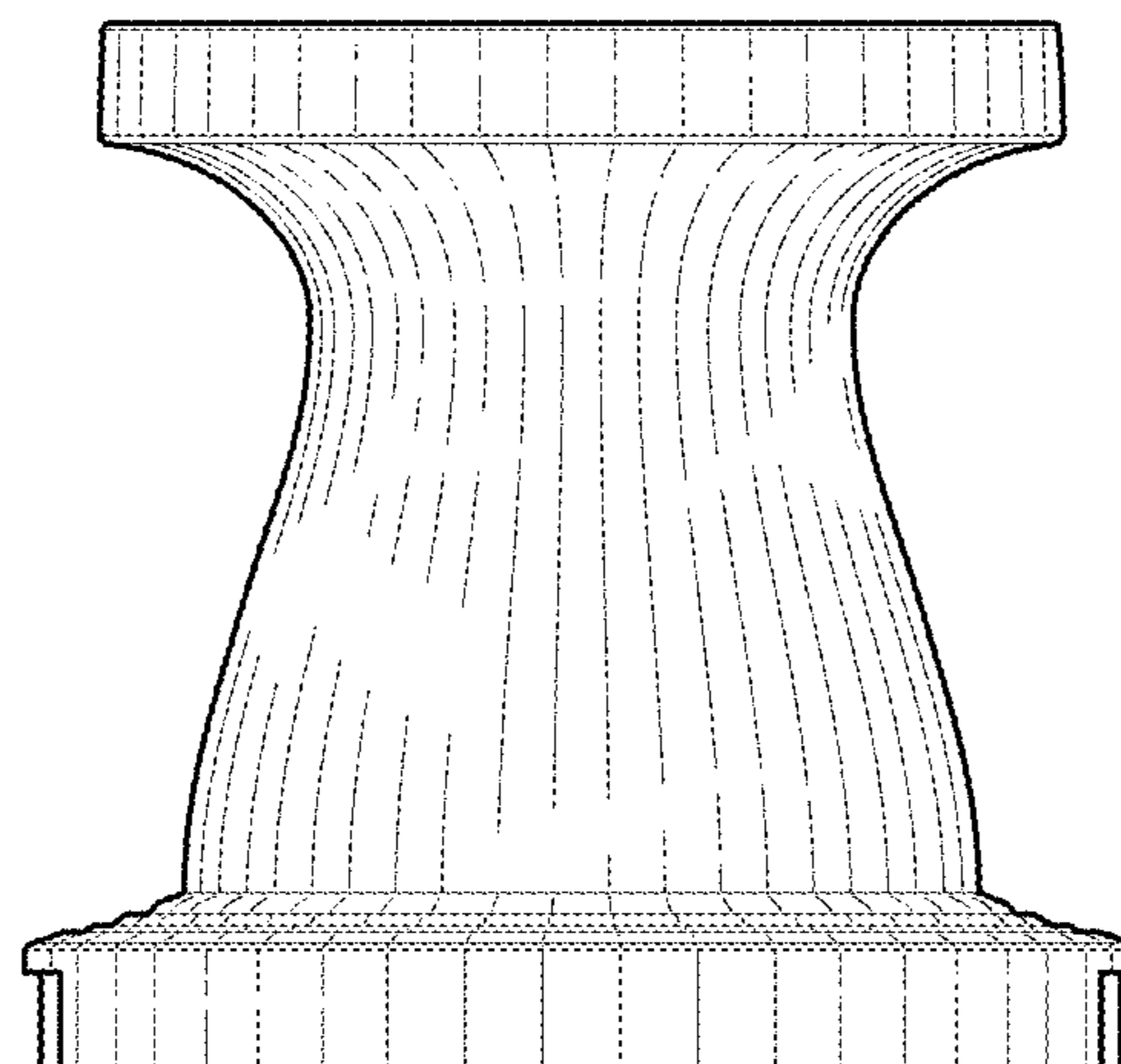
1.2



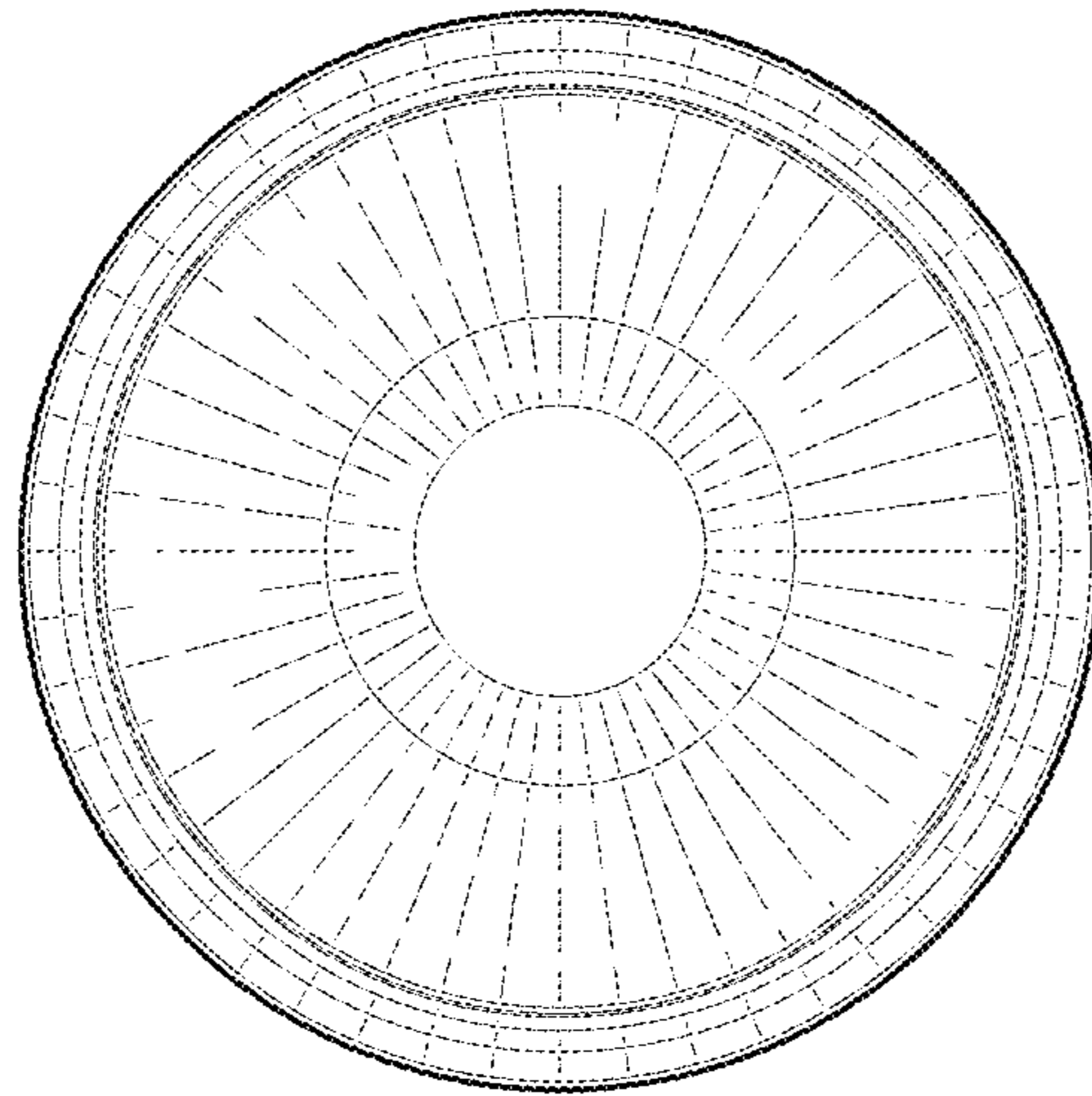
1.3



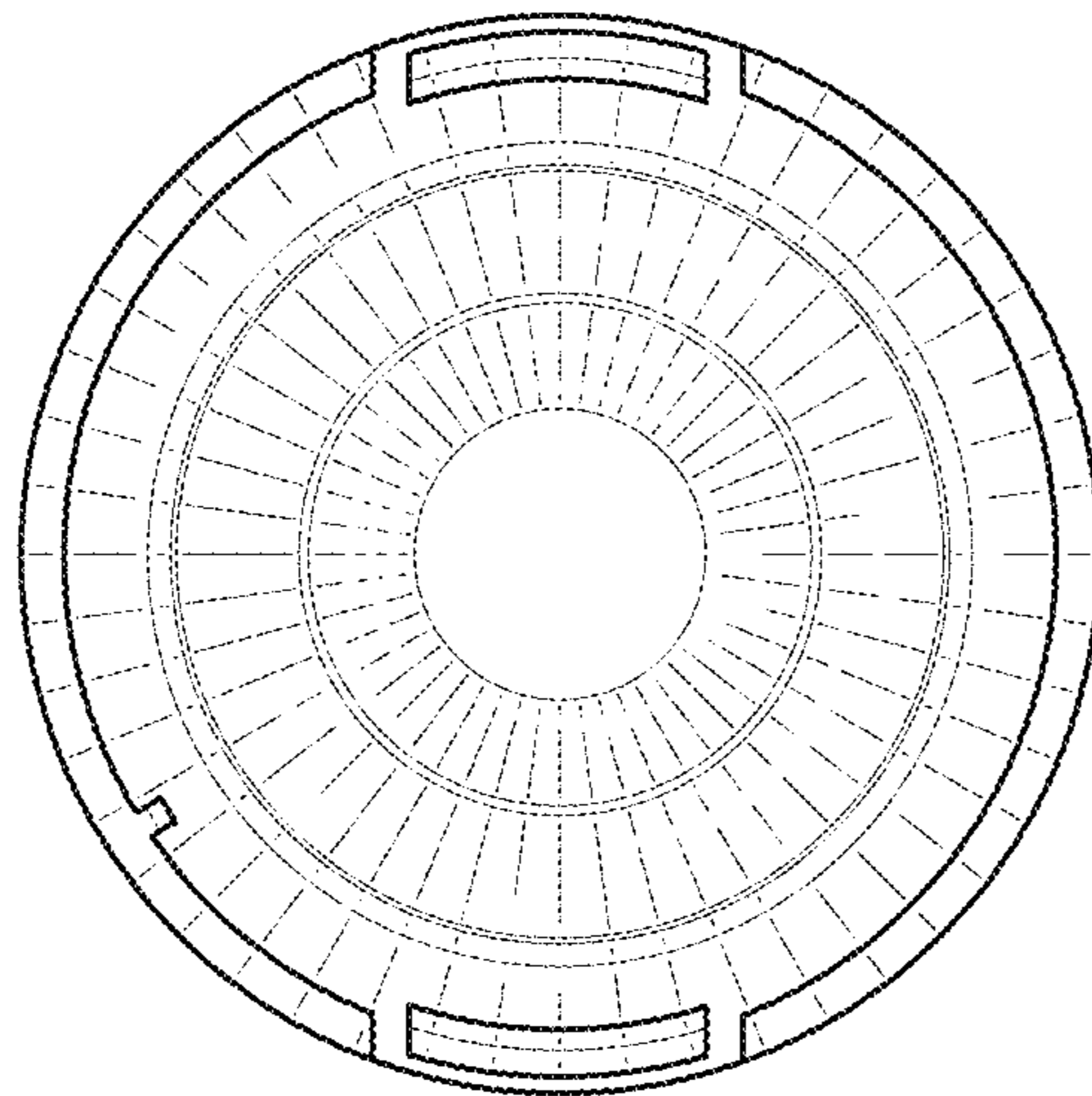
1.4



1.5



1.6



1.7