



US00D816870S

(12) **United States Design Patent**
William

(10) **Patent No.:** **US D816,870 S**
(45) **Date of Patent:** **** May 1, 2018**

- (54) **TILE**
- (71) Applicant: **Sammy William**, Ridgefield, NJ (US)
- (72) Inventor: **Sammy William**, Ridgefield, NJ (US)
- (**) Term: **15 Years**
- (21) Appl. No.: **29/539,314**
- (22) Filed: **Sep. 12, 2015**
- (51) **LOC (11) Cl.** **25-01**
- (52) **U.S. Cl.**
USPC **D25/138**
- (58) **Field of Classification Search**
USPC D5/43, 44-46, 56, 58-61, 99; D25/58,
D25/103, 138, 139-141, 150, 151, 153,
D25/157, 159-160, 162-164, 199;
D26/88, 72, 75, 76, 80, 84, 86, 90, 91,
D26/92, 118, 120
CPC E04F 15/022; E04F 15/042; E04F 15/085;
E04F 15/082; E04F 15/02194; E04F
15/04; E04F 2203/04; B32B 27/10; F21S
2/005; G02B 6/0076
See application file for complete search history.

D727,538	S	*	4/2015	Smith	D25/138
9,091,079	B2	*	7/2015	Wright	E04F 13/0816
D746,488	S	*	12/2015	Luchini	D25/138
9,442,243	B2	*	9/2016	Tarsa	G02B 6/0076
9,464,441	B2	*	10/2016	Wright	E04F 13/0816
2015/0345152	A1	*	12/2015	Libreiro	E04F 13/0848 52/506.05

* cited by examiner

Primary Examiner — Susan Bennett Hattan
(74) *Attorney, Agent, or Firm* — John H. Choi & Associates LLC

(57) **CLAIM**

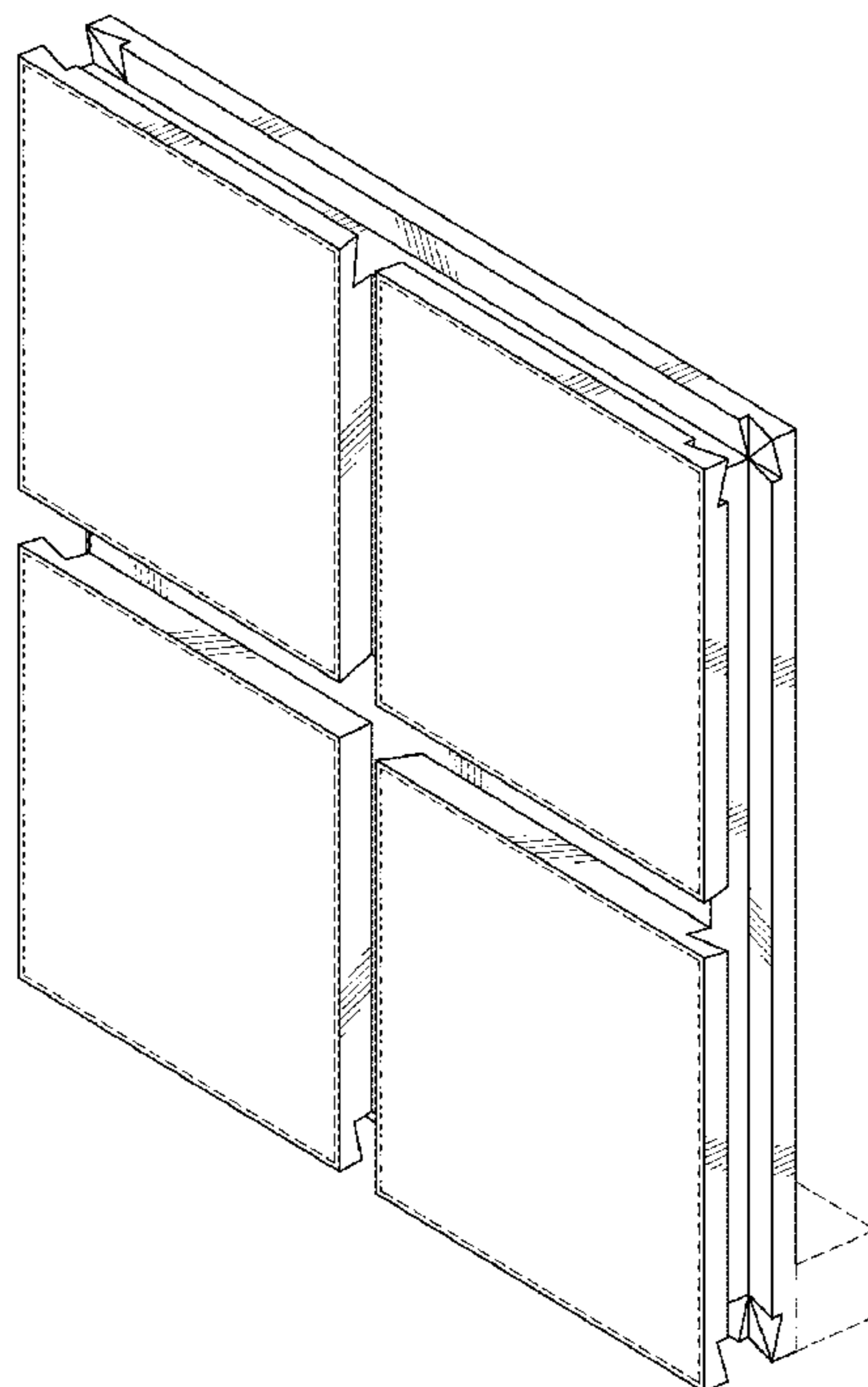
The ornamental design for a tile, as shown and described.

DESCRIPTION

FIG. 1 is a front perspective view of my new design for a tile;
FIG. 2 is a rear perspective view thereof;
FIG. 3 is a front elevational view thereof;
FIG. 4 is a rear elevational view thereof;
FIG. 5 is a top plan view thereof;
FIG. 6 is a bottom plan view thereof;
FIG. 7 is a left side elevational view thereof; and,
FIG. 8 is a right side elevational view thereof.
The broken lines in FIGS. 1-4 and 6-8 superimposed on the surface of the tile represent the bounds of the claimed design. The remaining broken lines in FIGS. 1-8 are environmental and for illustrative purposes only. The broken lines form no part of the claimed design.

1 Claim, 4 Drawing Sheets

- (56) **References Cited**
U.S. PATENT DOCUMENTS
D83,440 S * 2/1931 Dundlach D25/103
D192,286 S * 2/1962 Delaney D25/158
D488,873 S * 4/2004 Bisazza D25/163
D622,422 S * 8/2010 Rhee D25/157
8,240,099 B2 * 8/2012 Hummel, III E04F 13/081
52/235
D708,358 S * 7/2014 Masanek, Jr. D25/163



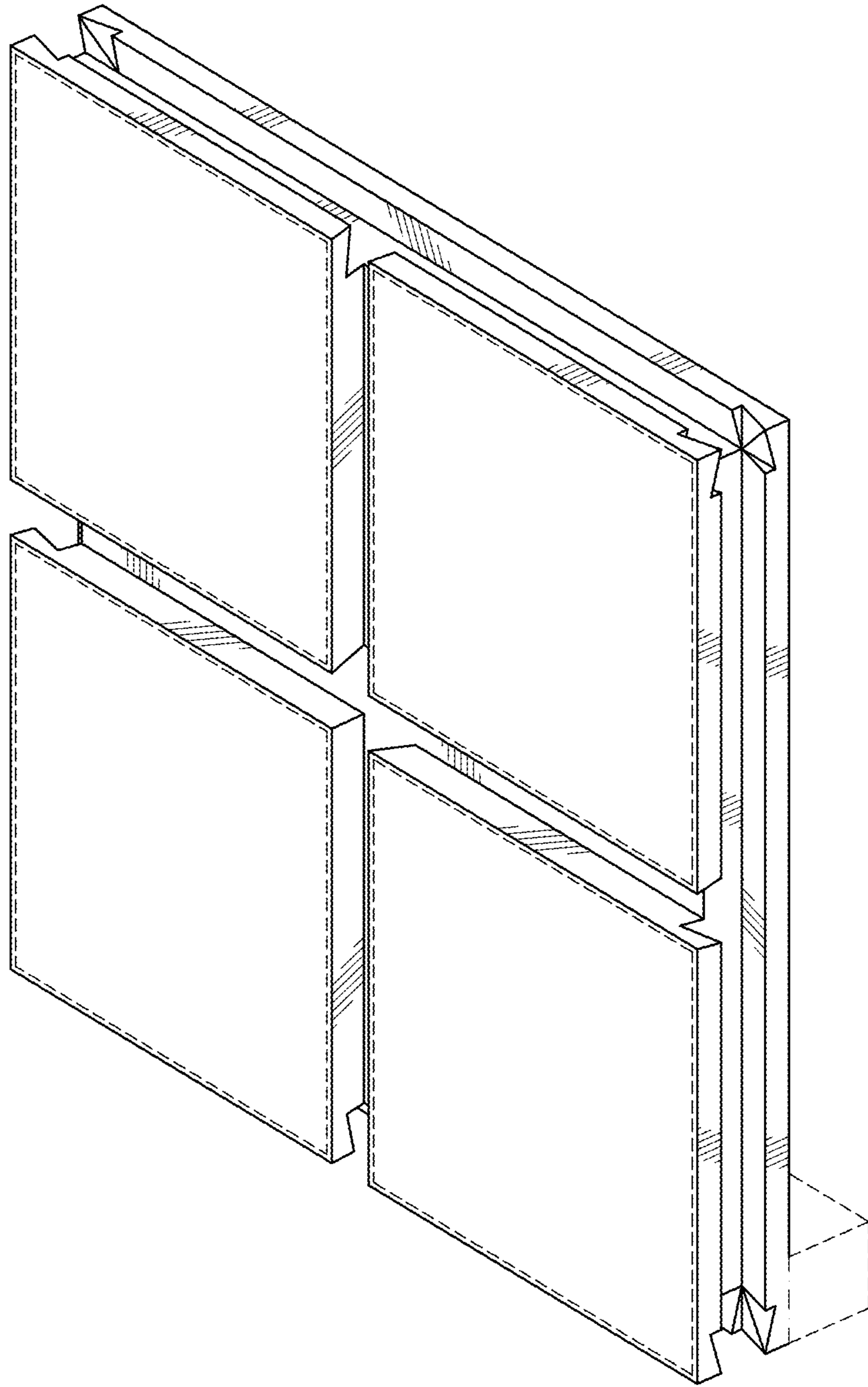


FIG. 1

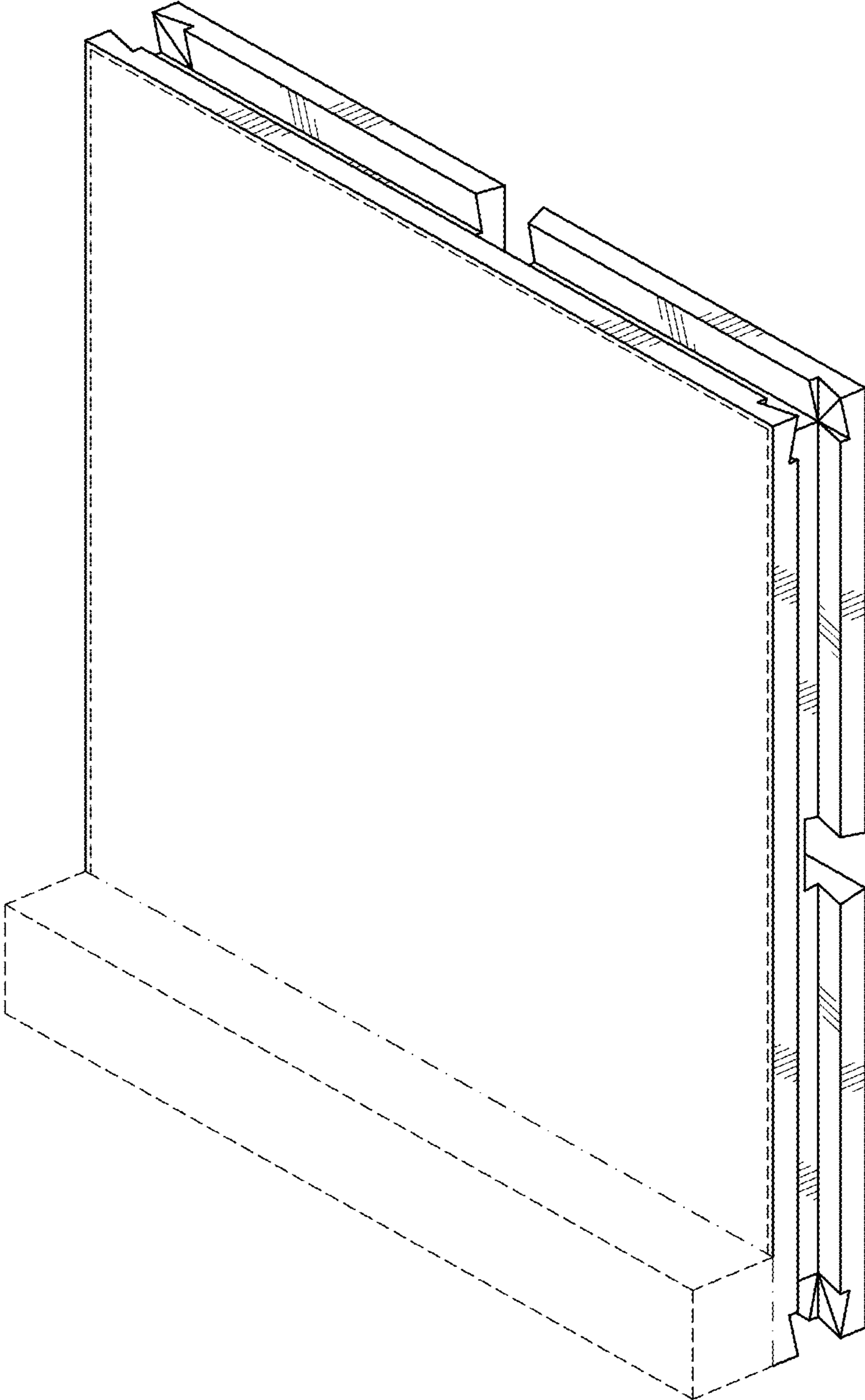


FIG. 2

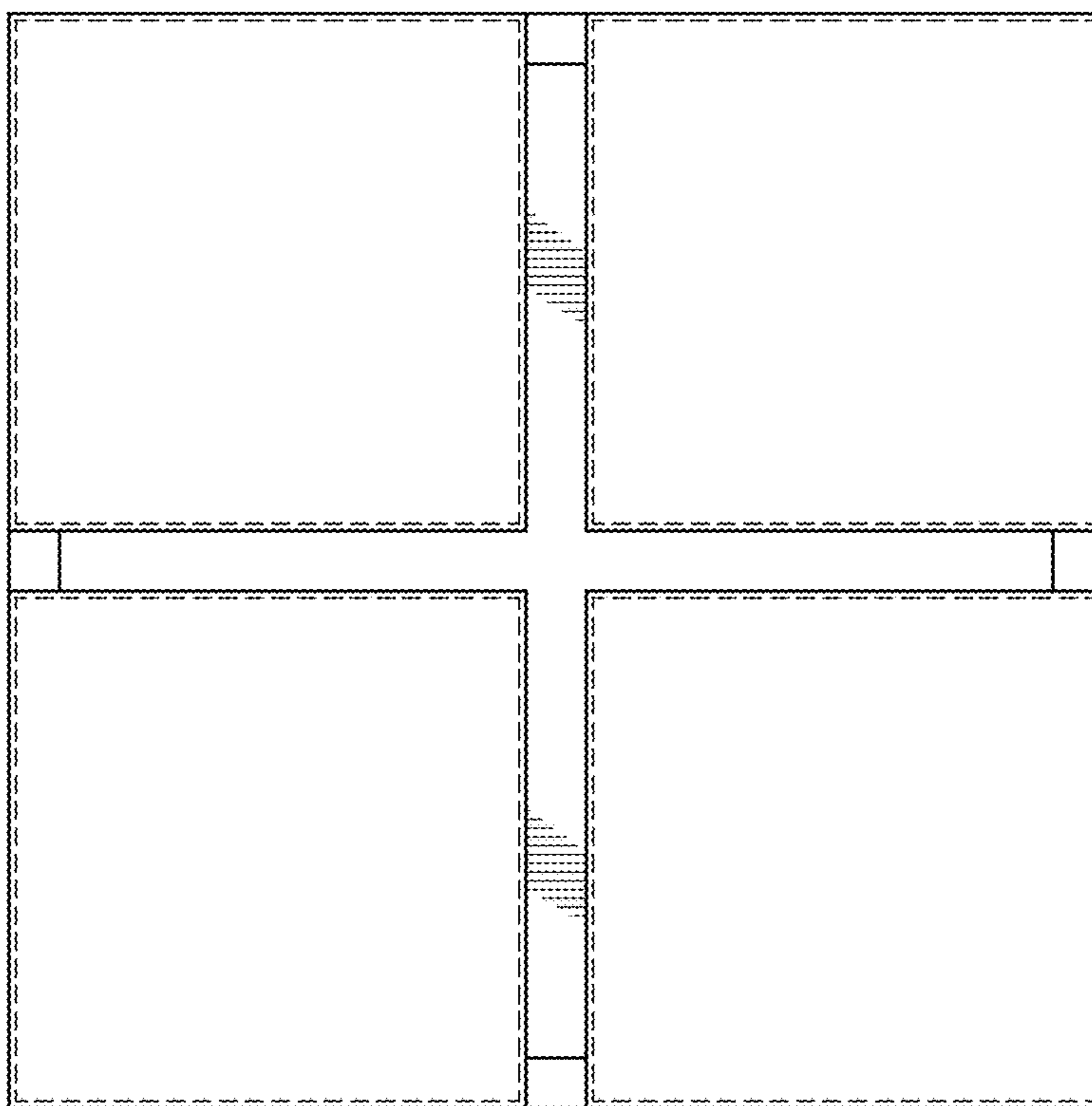


FIG. 3



FIG. 4

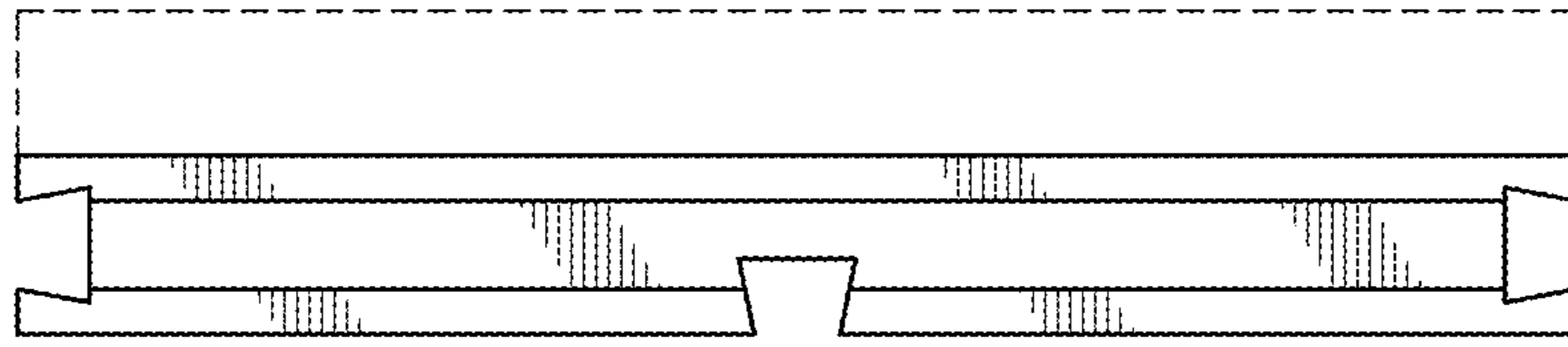


FIG. 5

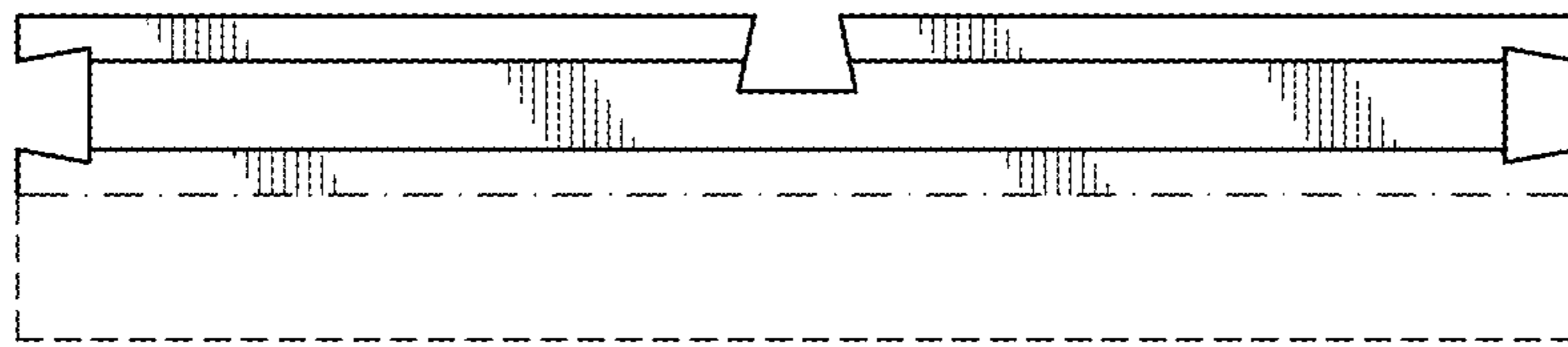


FIG. 6

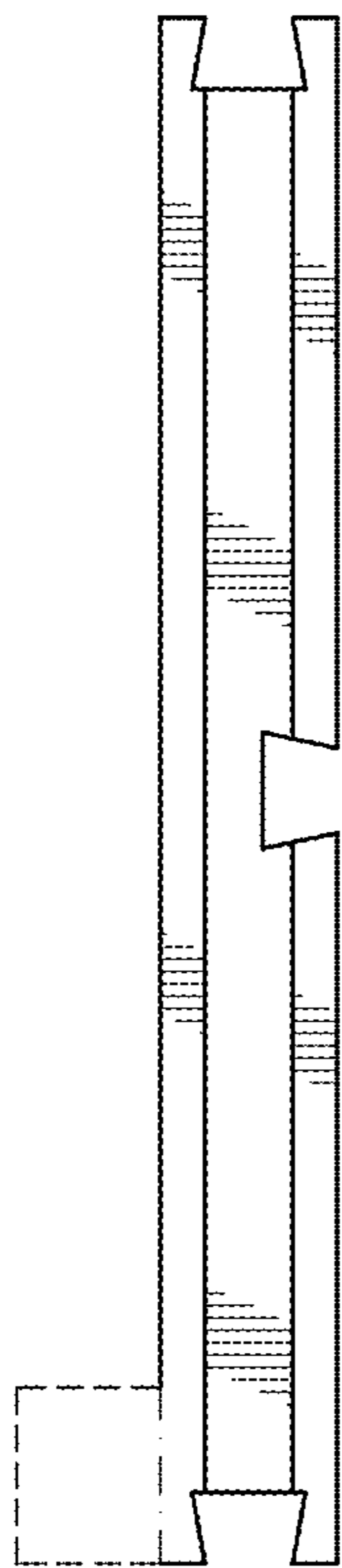


FIG. 7

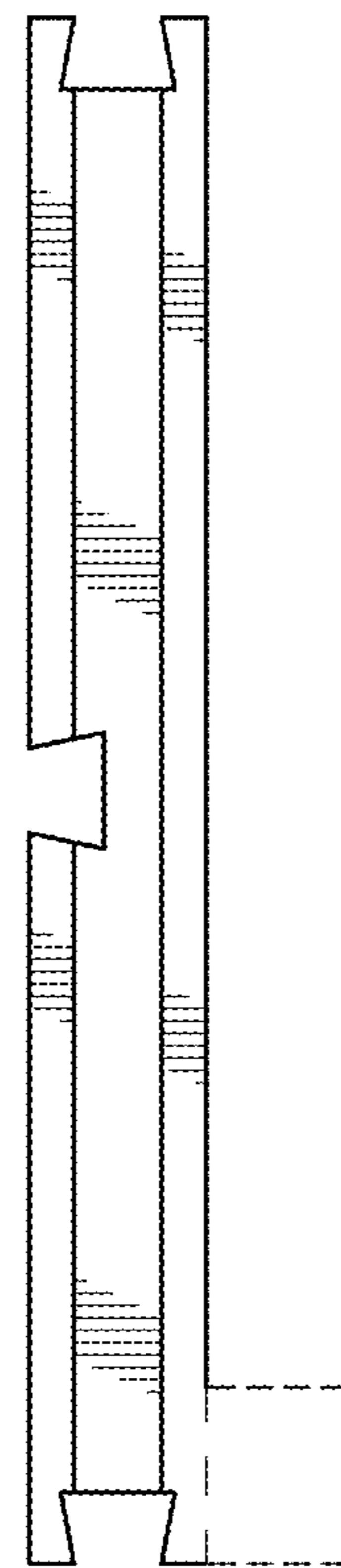


FIG. 8