



US00D816865S

(12) **United States Design Patent** (10) **Patent No.:** **US D816,865 S**
Bulloch et al. (45) **Date of Patent:** **** *May 1, 2018**

(54) **CASSETTE SUPPORT BASE FOR ELECTROPHORESIS GEL CASTING**

(71) Applicant: **LIFE TECHNOLOGIES CORPORATION**, Carlsbad, CA (US)

(72) Inventors: **Kyle Bulloch**, San Diego, CA (US);
Thomas Diller, San Diego, CA (US);
Xin Mathers, Poway, CA (US)

(73) Assignee: **LIFE TECHNOLOGIES CORPORATION**, Carlsbad, CA (US)

(*) Notice: This patent is subject to a terminal disclaimer.

(**) Term: **15 Years**

(21) Appl. No.: **29/545,633**

(22) Filed: **Nov. 13, 2015**

(51) **LOC (11) Cl.** **24-01**

(52) **U.S. Cl.**
USPC **D24/233**

(58) **Field of Classification Search**
USPC D24/216–219, 227, 231, 232, 233, 107,
D24/169, 186; D10/81

(Continued)

(56) **References Cited**

U.S. PATENT DOCUMENTS

D303,007 S * 8/1989 Flesher D24/233
5,228,971 A 7/1993 Brumley et al.

(Continued)

FOREIGN PATENT DOCUMENTS

WO 199524640 9/1995
WO 1999054721 10/1999
WO 2007032951 3/2007

OTHER PUBLICATIONS

Caprette, D. "Characterization of red cell membrane proteins by SDS-Page—Preparing SDS Gels," <http://www.ruf.rice.edu/~bios-labs/studies/sds-page/gellab2a.html>, updated May 24, 2005, downloaded Jan. 2, 2017, pp. 1-5.

Primary Examiner — Anhdao Doan

(57) **CLAIM**

The ornamental design for a cassette support base for electrophoresis gel casting, as shown and described.

DESCRIPTION

This application is related to U.S. Design patent application Ser. No. 29/545,637, entitled "Rig for Electrophoresis Gel Casting," and filed on a date even herewith, the entire contents of each of which are incorporated by reference herein.

FIG. 1 is a front perspective view of a first embodiment of a cassette support base for electrophoresis gel casting showing our new design.

FIG. 2 is back perspective view thereof.

FIG. 3 is a front view thereof.

FIG. 4 is a back view thereof.

FIG. 5 is a right side view thereof.

FIG. 6 is a left side view thereof.

FIG. 7 is a top view thereof.

FIG. 8 is a bottom view thereof.

FIG. 9 is a front perspective view thereof showing environmental structure.

FIG. 10 is a front perspective view of a third embodiment of a cassette support base for electrophoresis gel casting showing our new design.

FIG. 11 is a back perspective view thereof.

FIG. 12 is a front view thereof.

FIG. 13 is a back view thereof.

FIG. 14 is a right side view thereof

FIG. 15 is a left side view thereof.

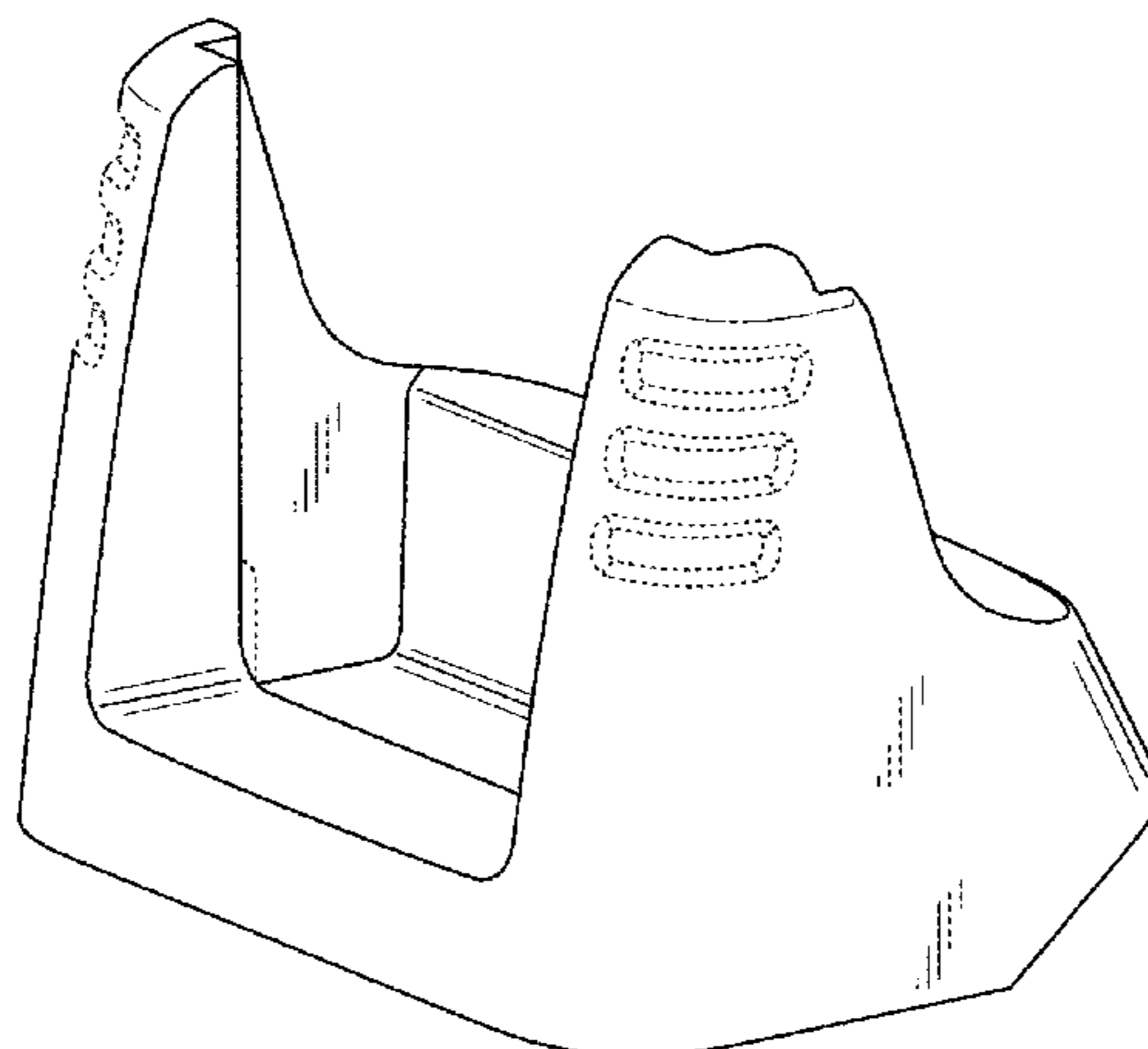
FIG. 16 is a top view thereof.

FIG. 17 is a bottom view thereof; and,

FIG. 18 is a front perspective view thereof showing environmental structure.

The broken lines depicting a cassette in FIGS. 9 and 18 represent environmental subject matter, and all other broken lines represent portions of the cassette support base that form no part of the claimed design. The broken lines form no part of the claimed design.

1 Claim, 10 Drawing Sheets



(58) **Field of Classification Search**

CPC G01N 27/447; G01N 27/44726; G01N
27/44704; G01N 27/44778; C12Q 1/6869

See application file for complete search history.

(56) **References Cited**

U.S. PATENT DOCUMENTS

5,753,095	A	5/1998	Alpenfels	
5,885,431	A	3/1999	Renfrew et al.	
D505,729	S *	5/2005	Lee	D24/233
D510,770	S *	10/2005	Emerson	D24/233
D654,597	S *	2/2012	Hiramura	D24/186
D757,958	S *	5/2016	Murray	D24/233
2007/0205108	A1 *	9/2007	Jean	G01N 27/44704 204/606
2011/0042217	A1 *	2/2011	Updyke	G01N 27/44778 204/620
2014/0045250	A1 *	2/2014	Kreifels	C12Q 1/686 435/287.2
2016/0084797	A1 *	3/2016	Goh	G01N 27/44704 204/619

* cited by examiner

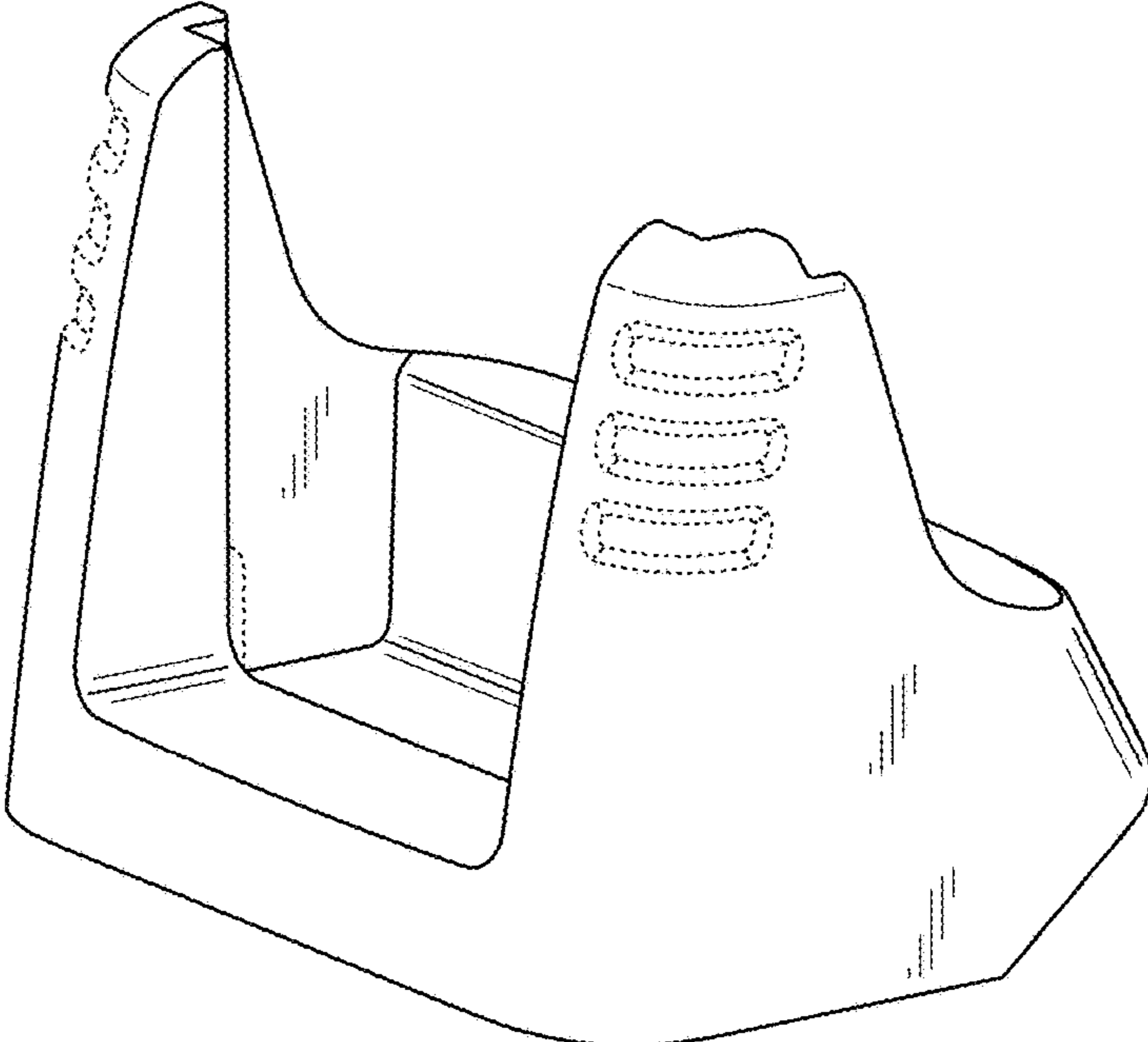


FIG. 1

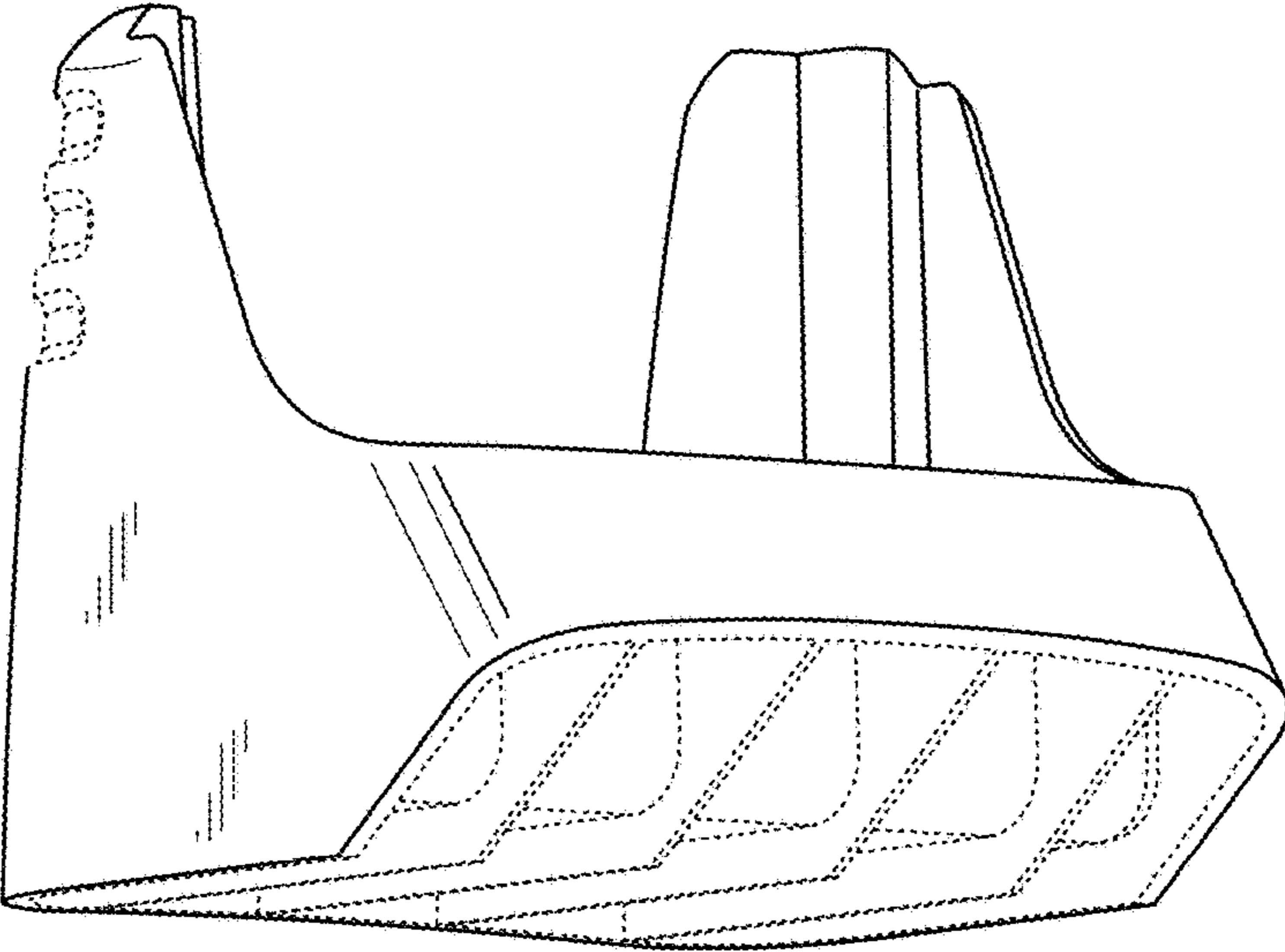


FIG. 2

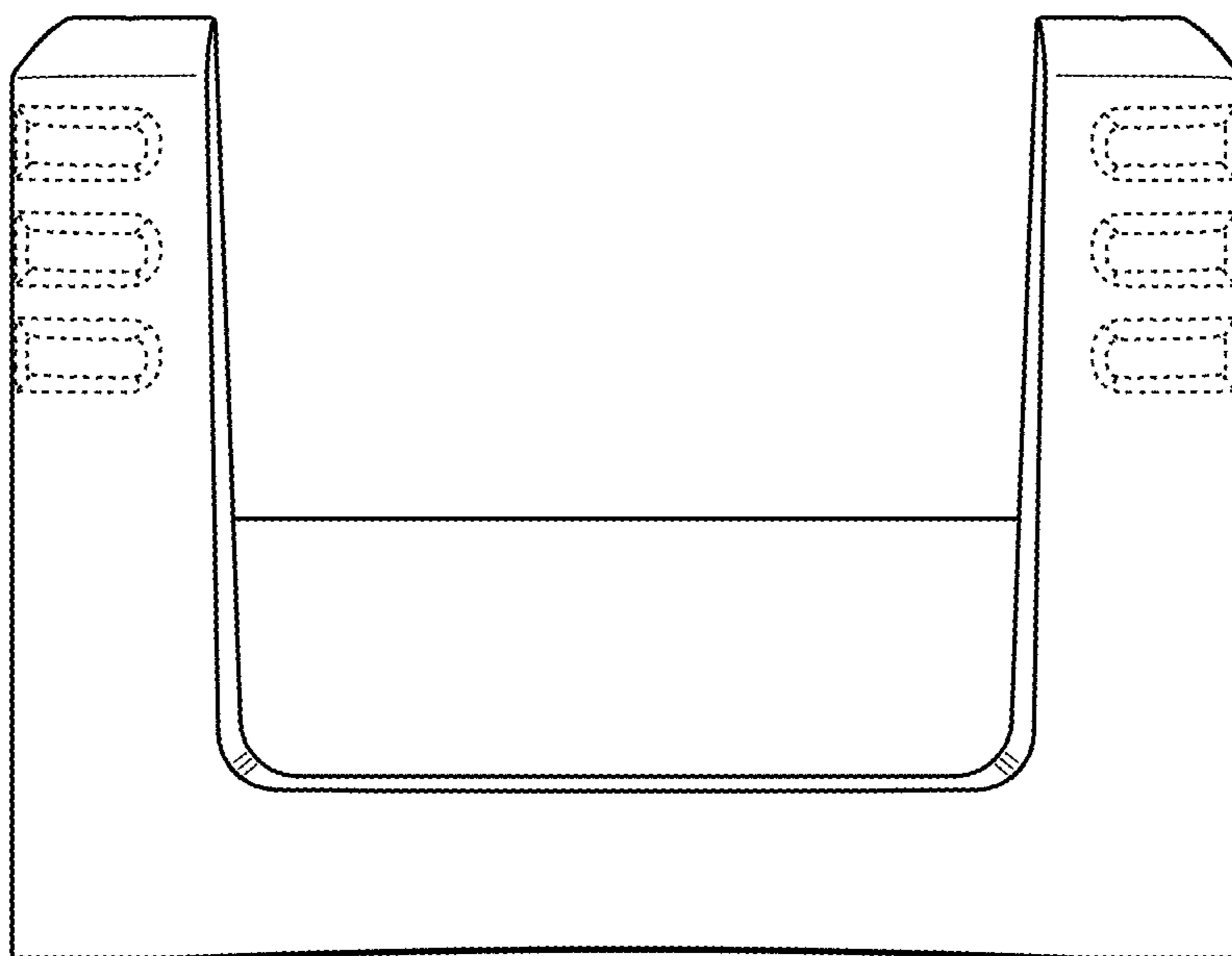


FIG. 3

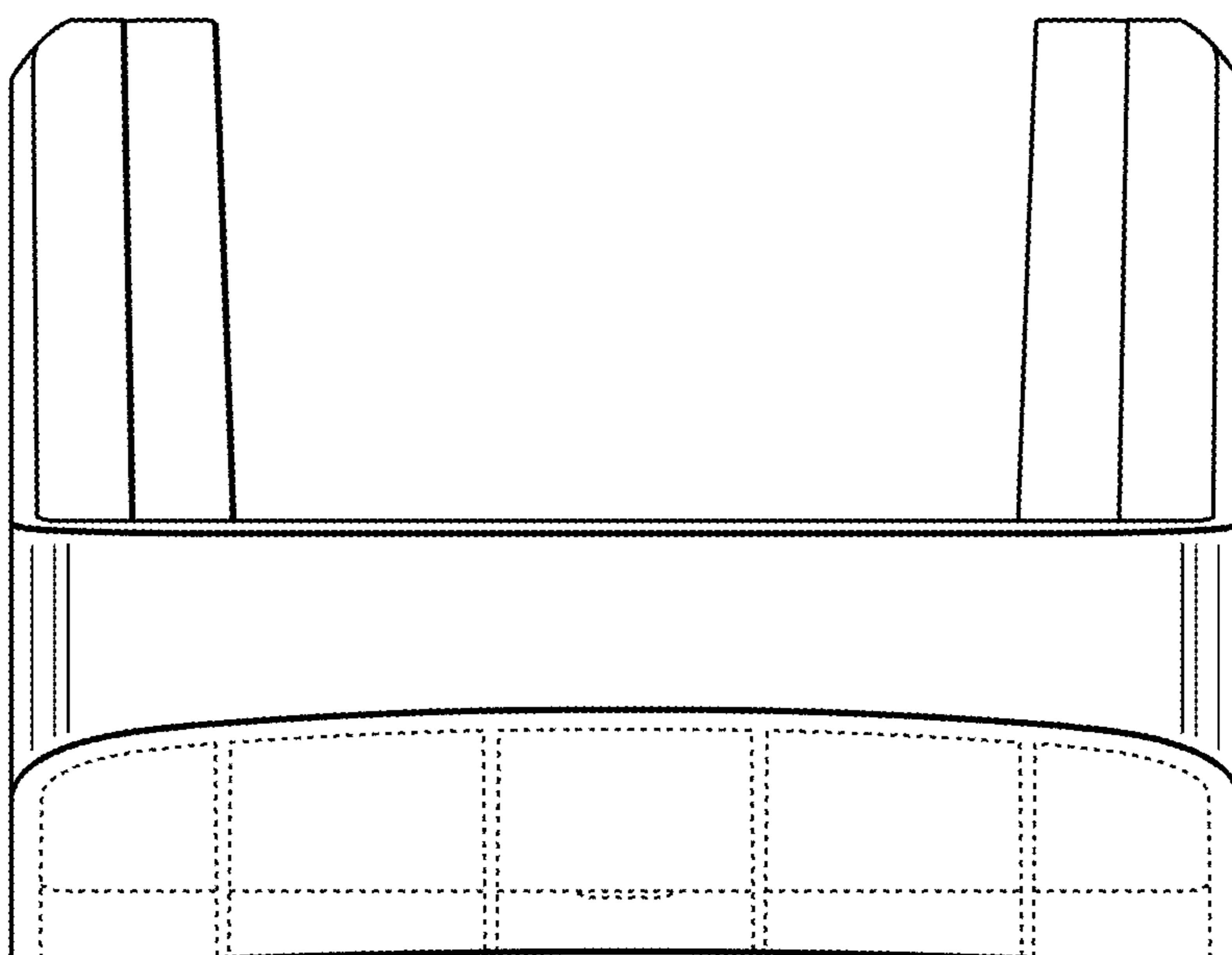


FIG. 4

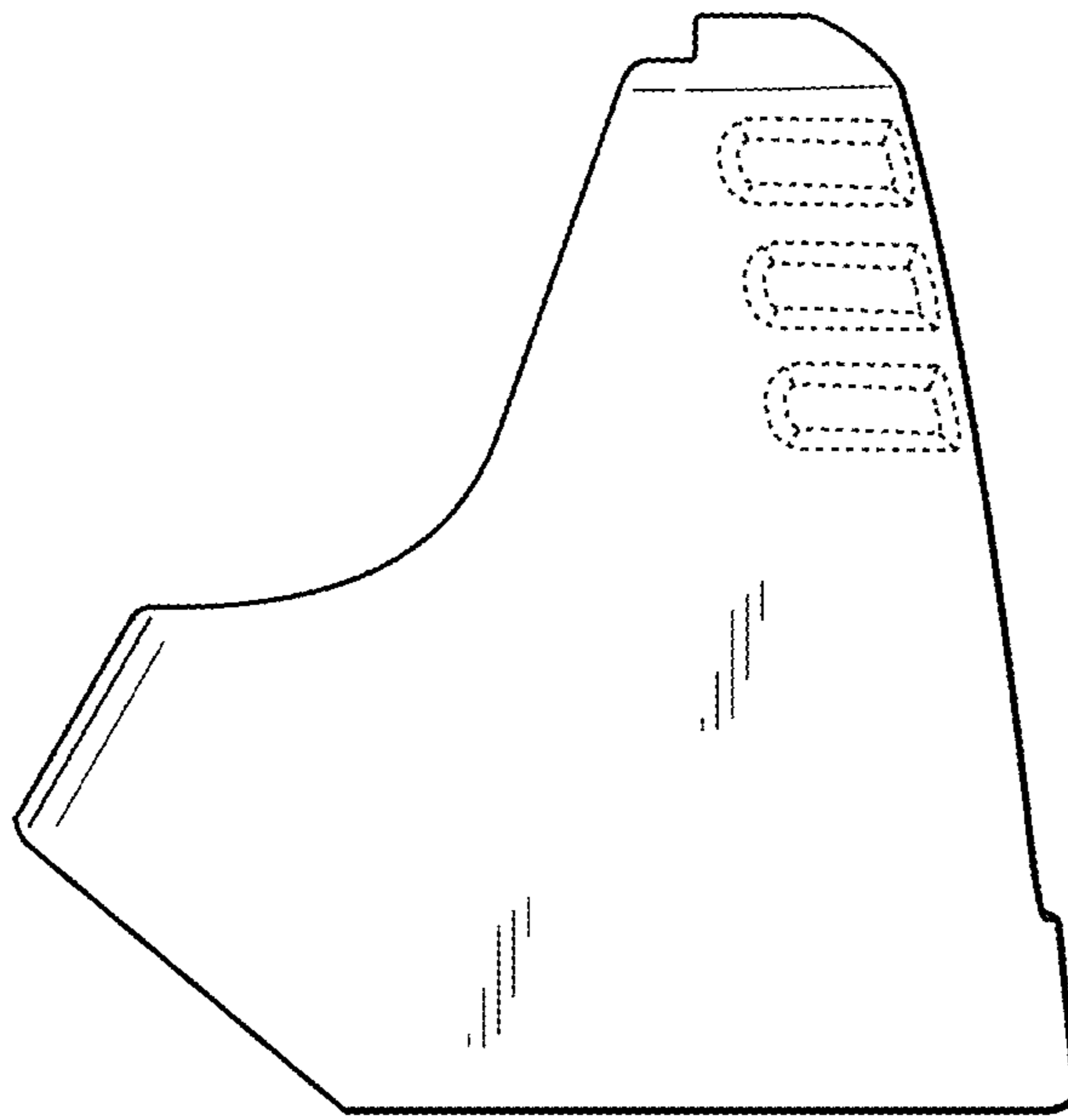


FIG. 5

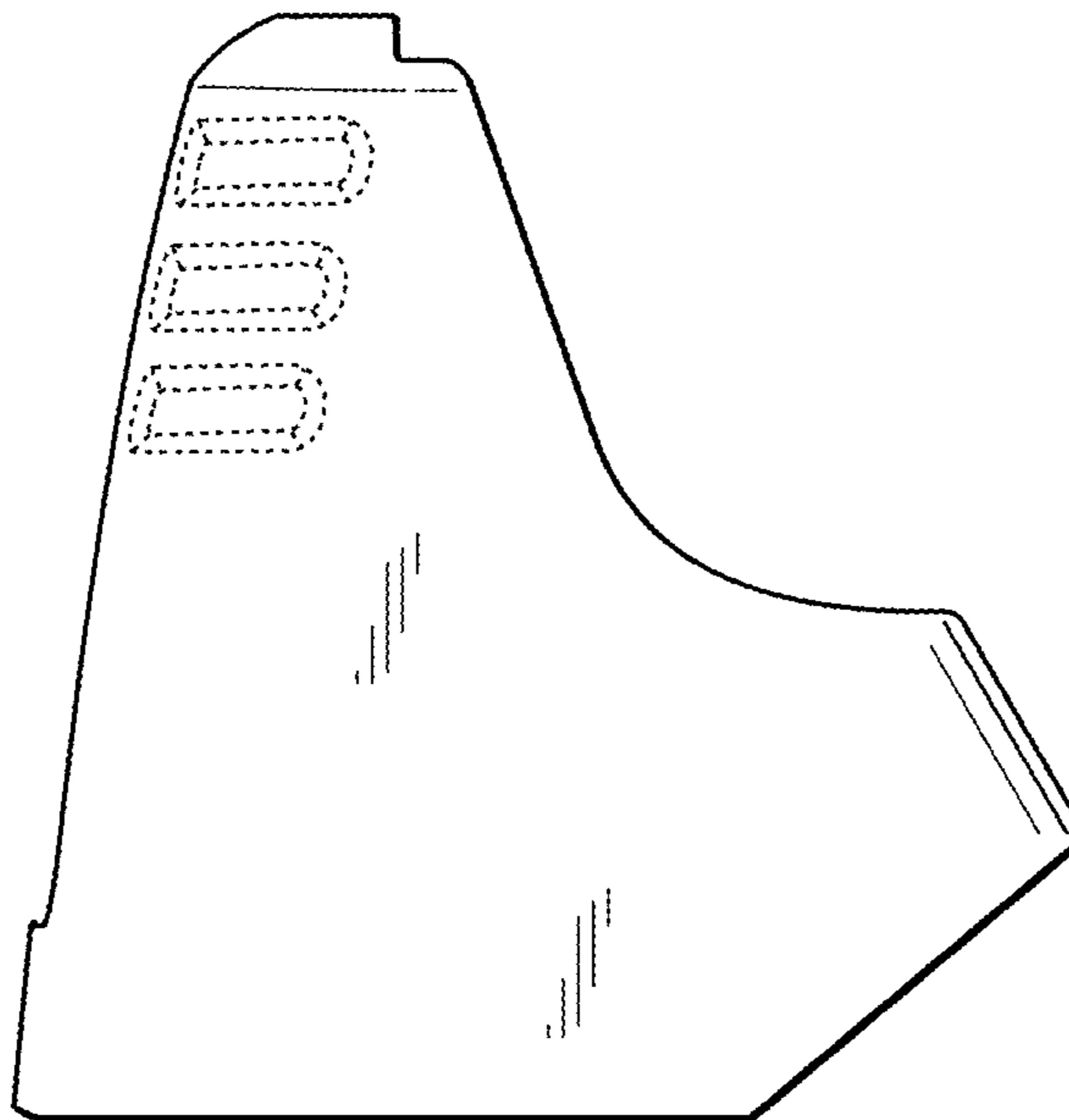


FIG. 6

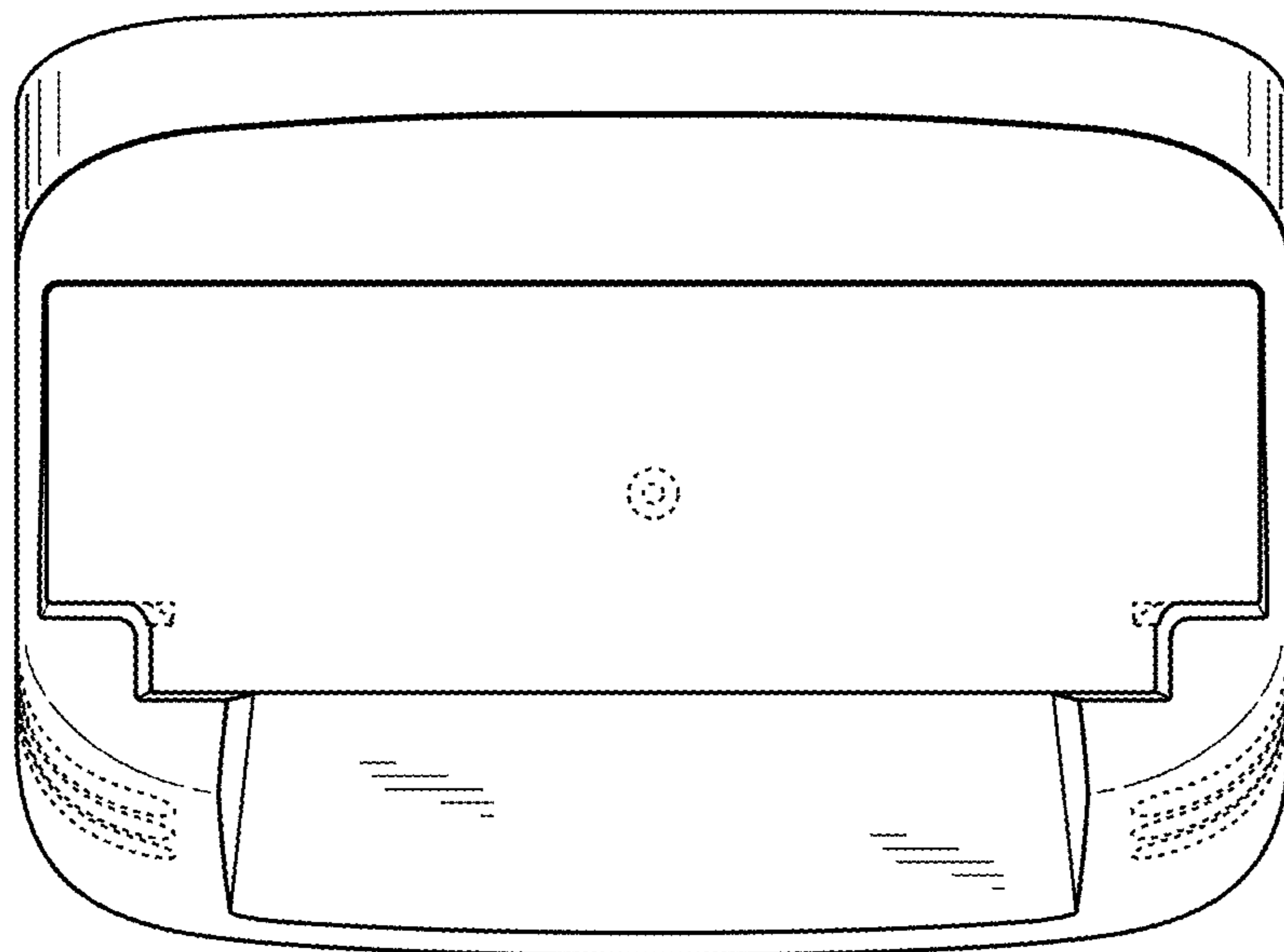


FIG. 7

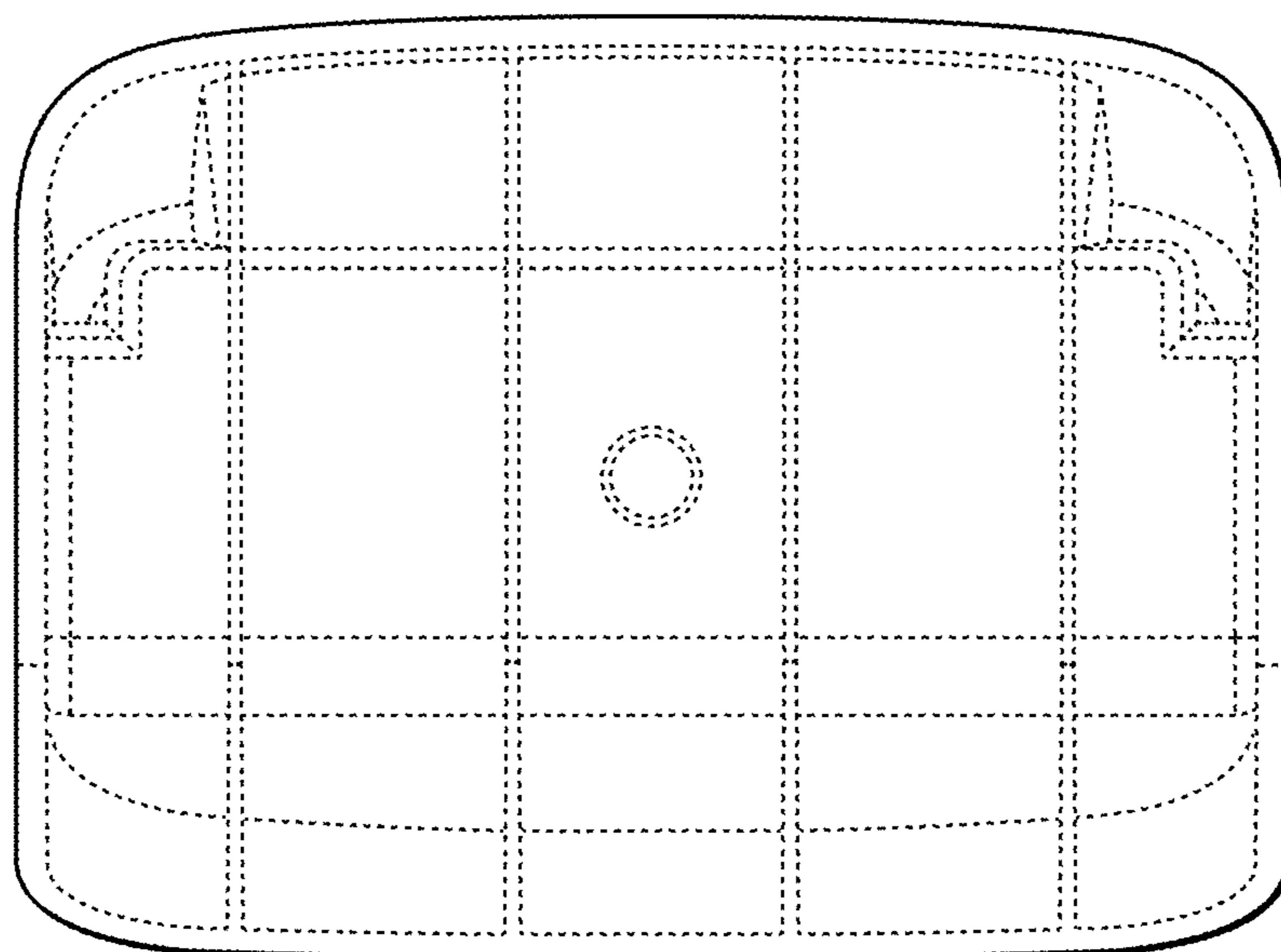


FIG. 8

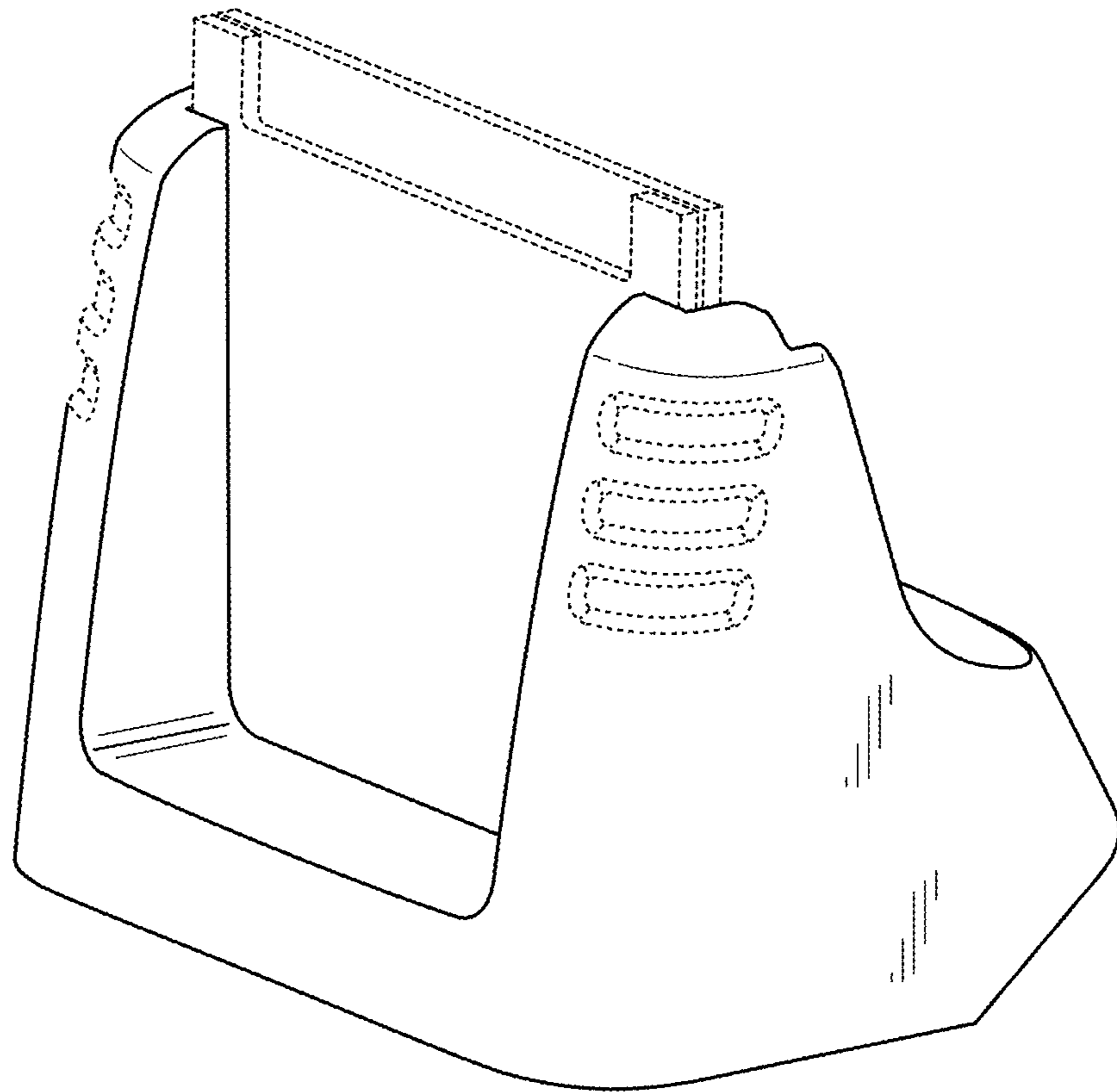


FIG. 9

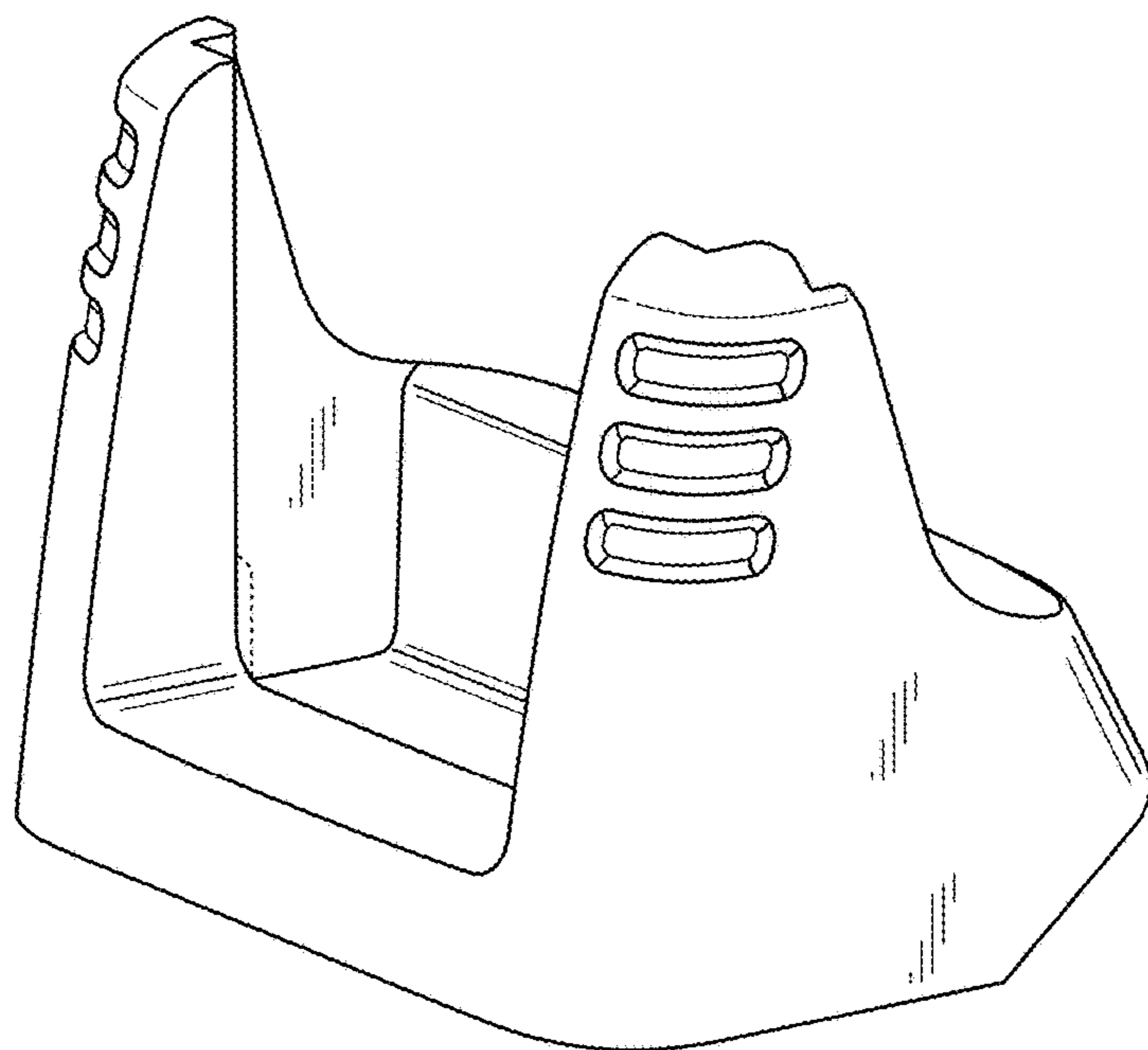


FIG. 10

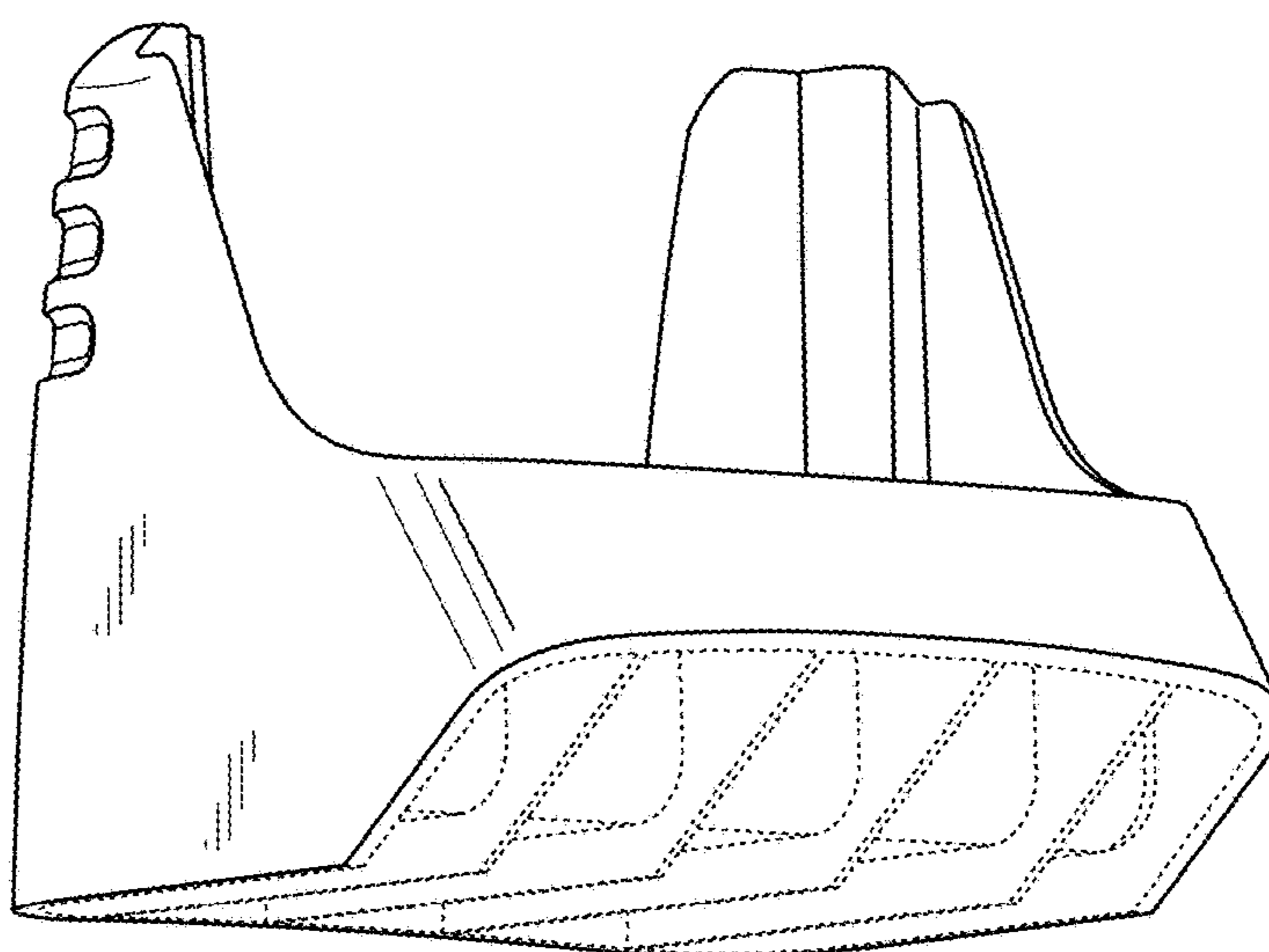


FIG. 11

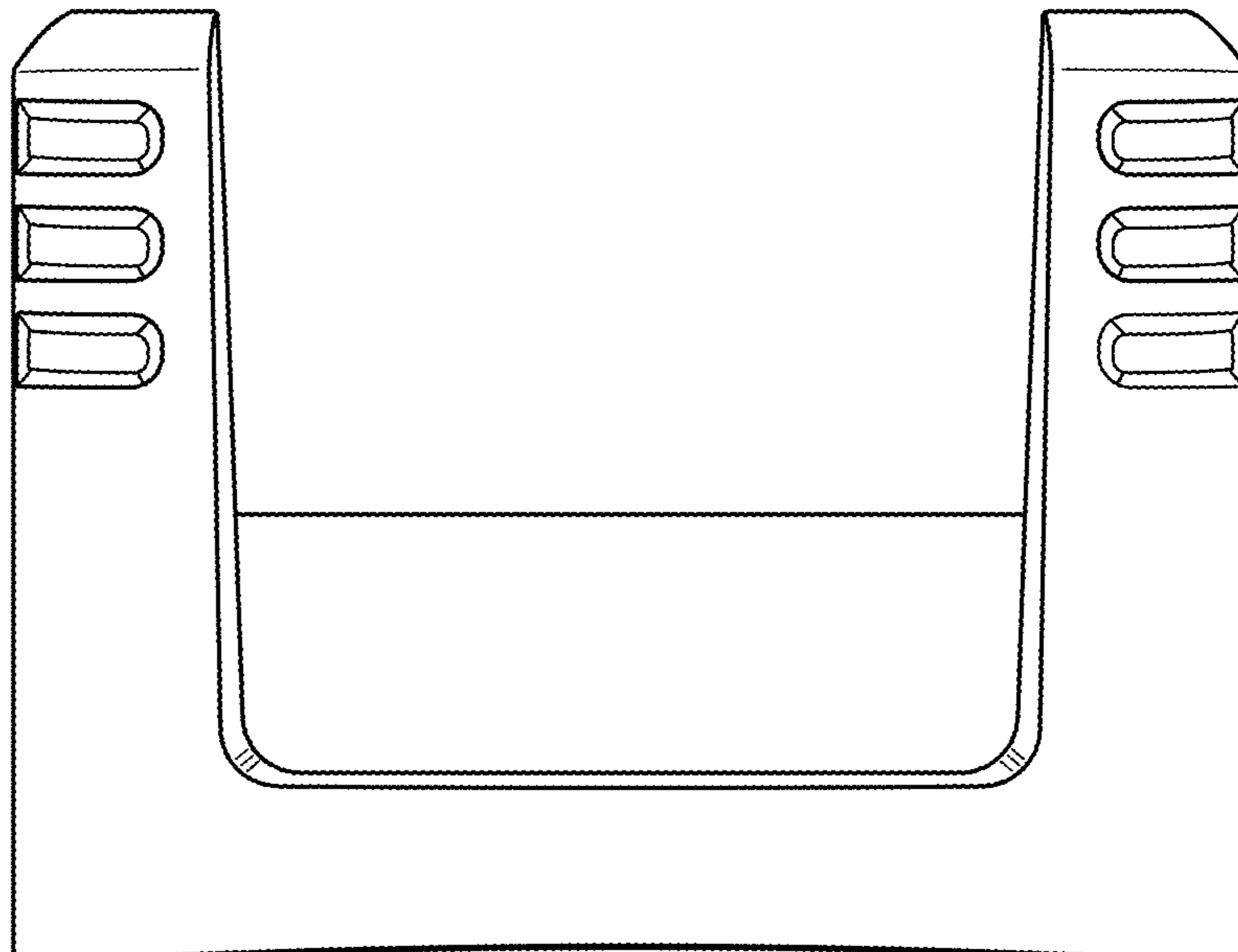


FIG. 12

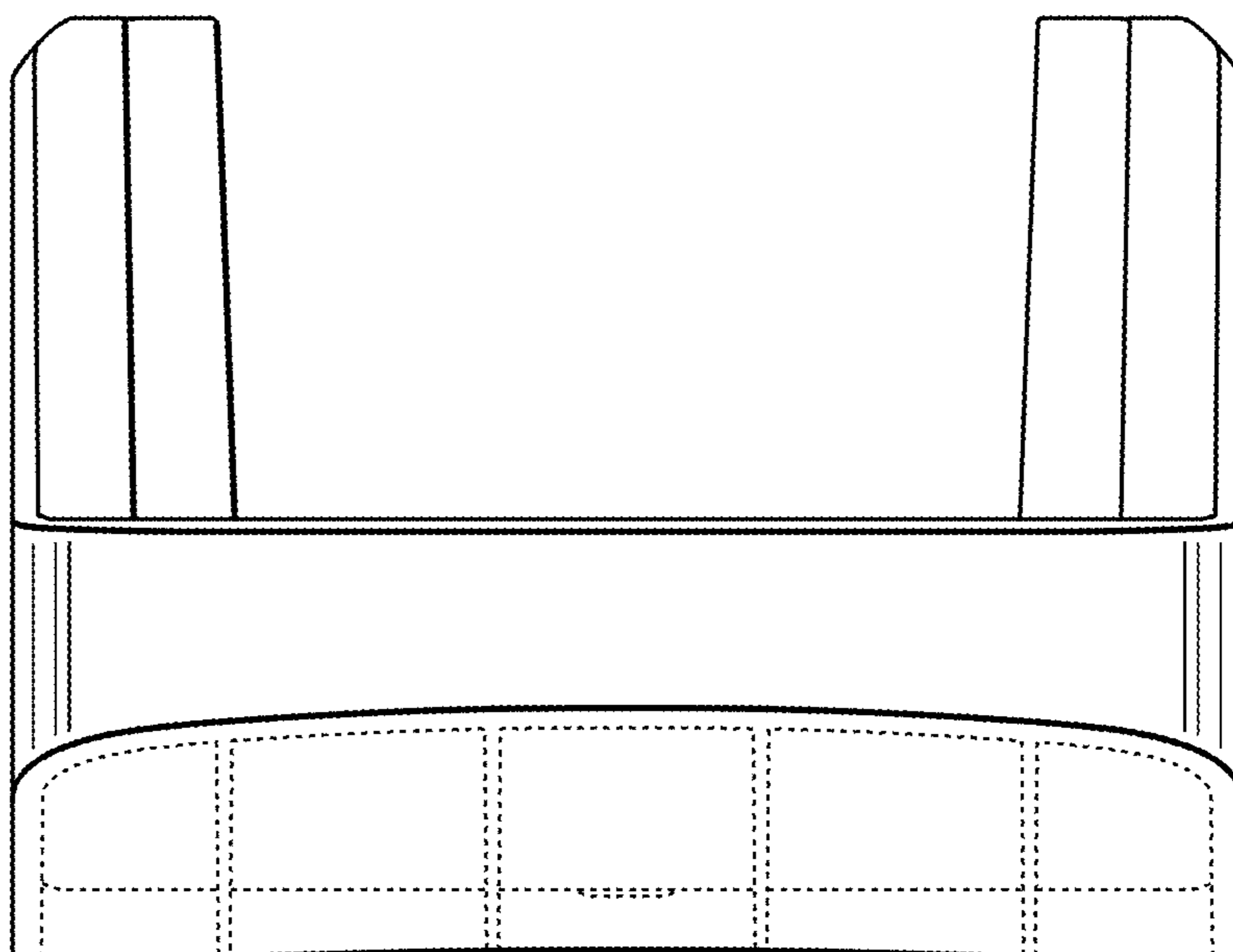


FIG. 13

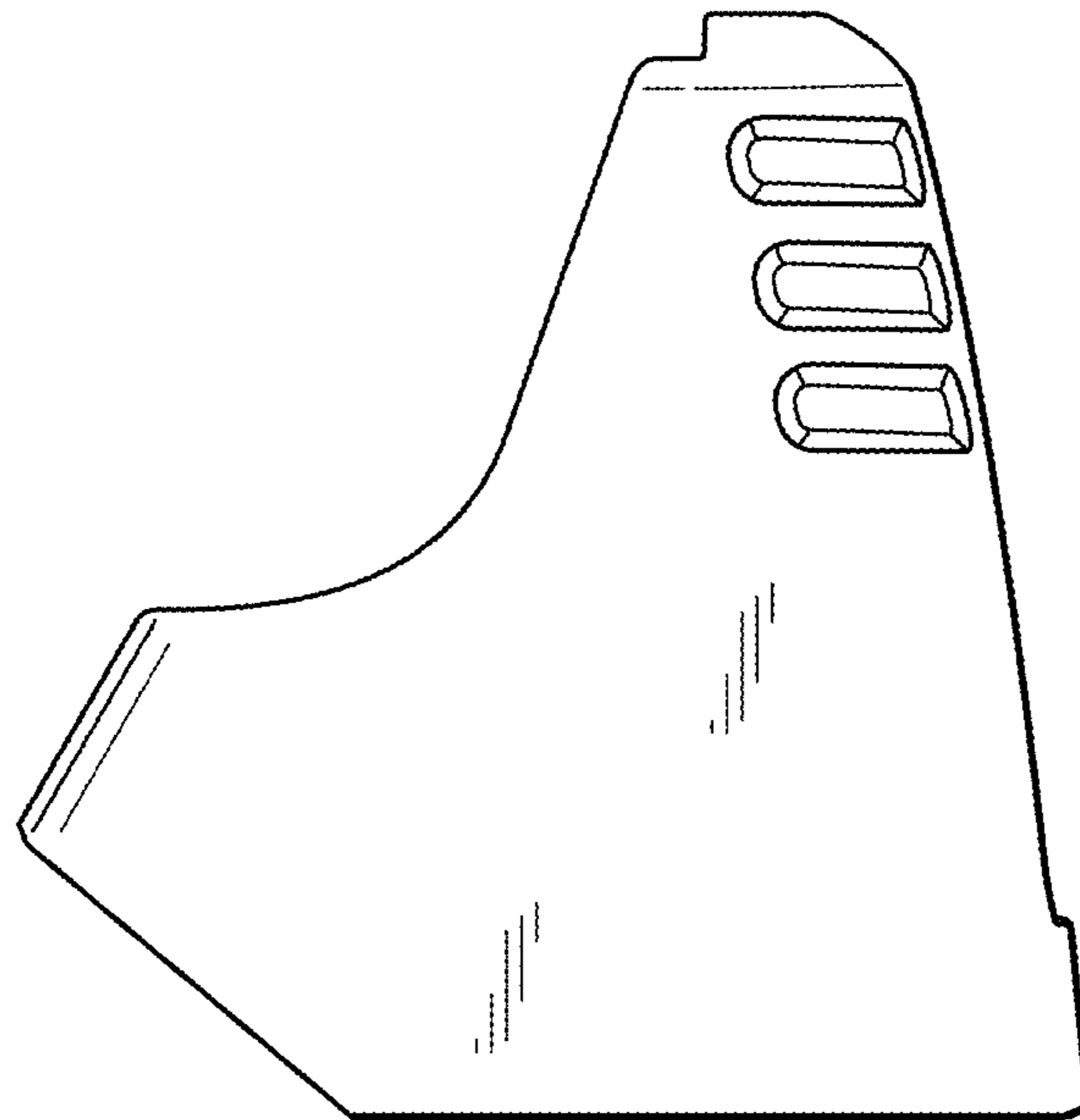


FIG. 14

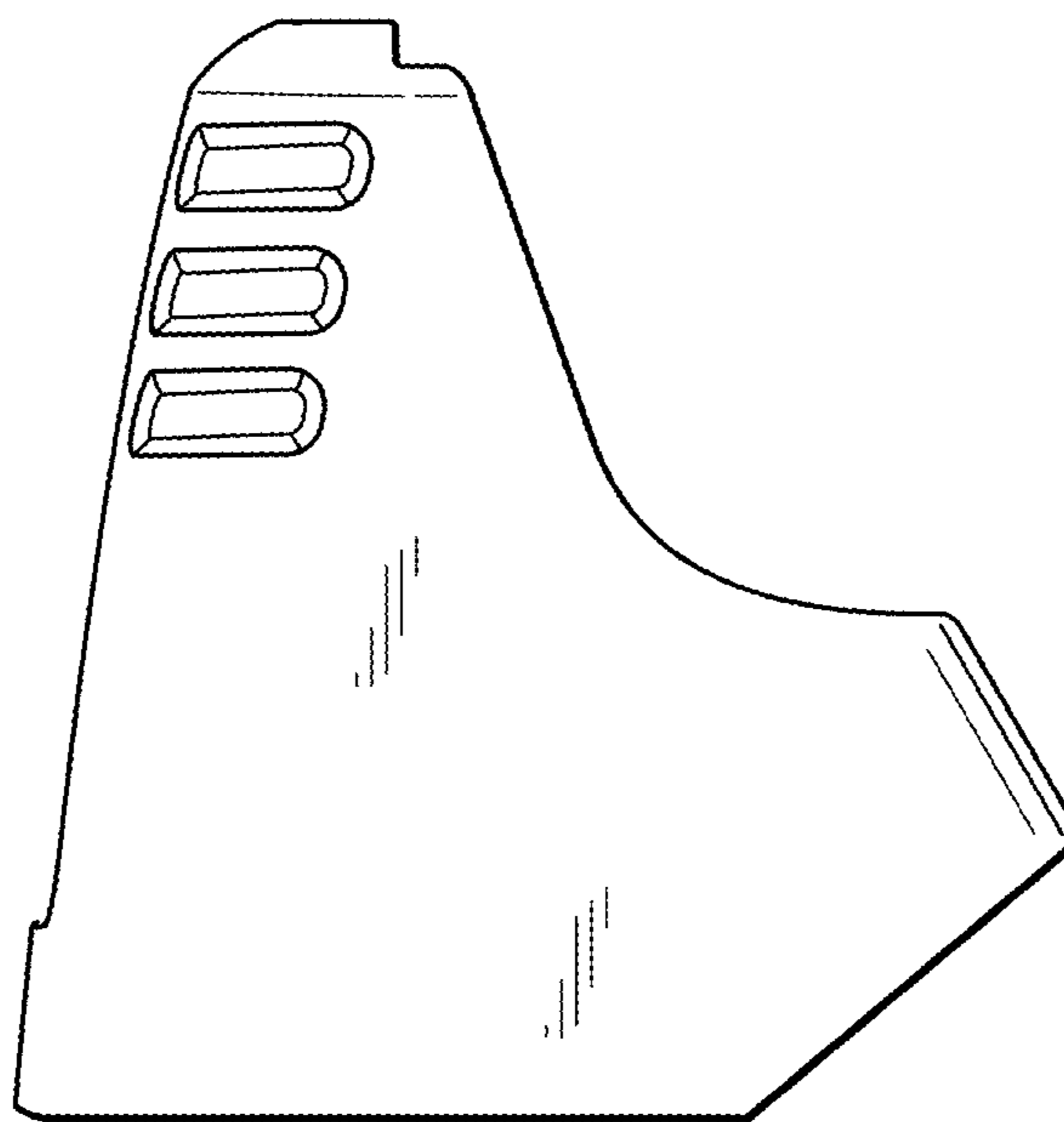


FIG. 15

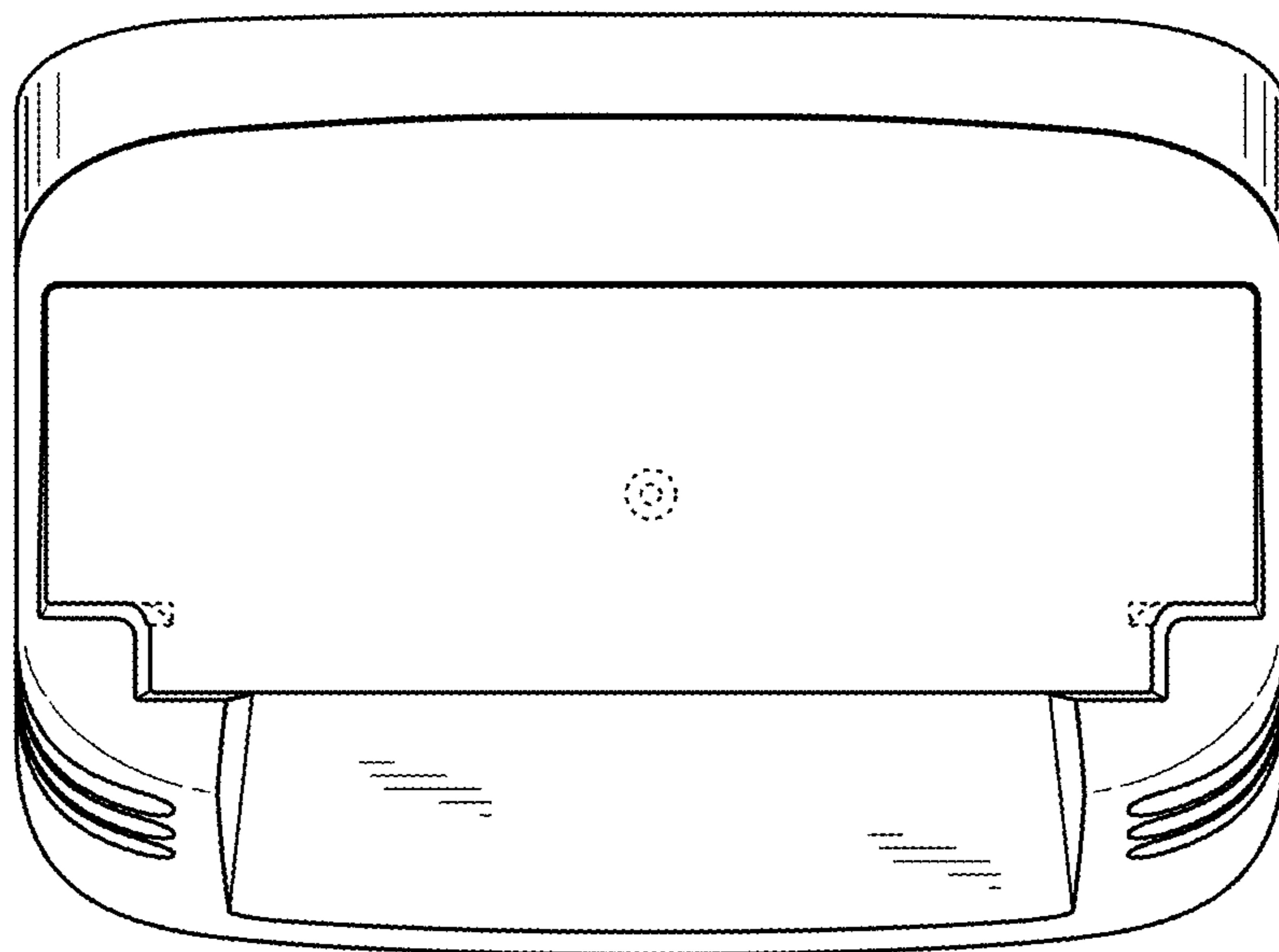


FIG. 16

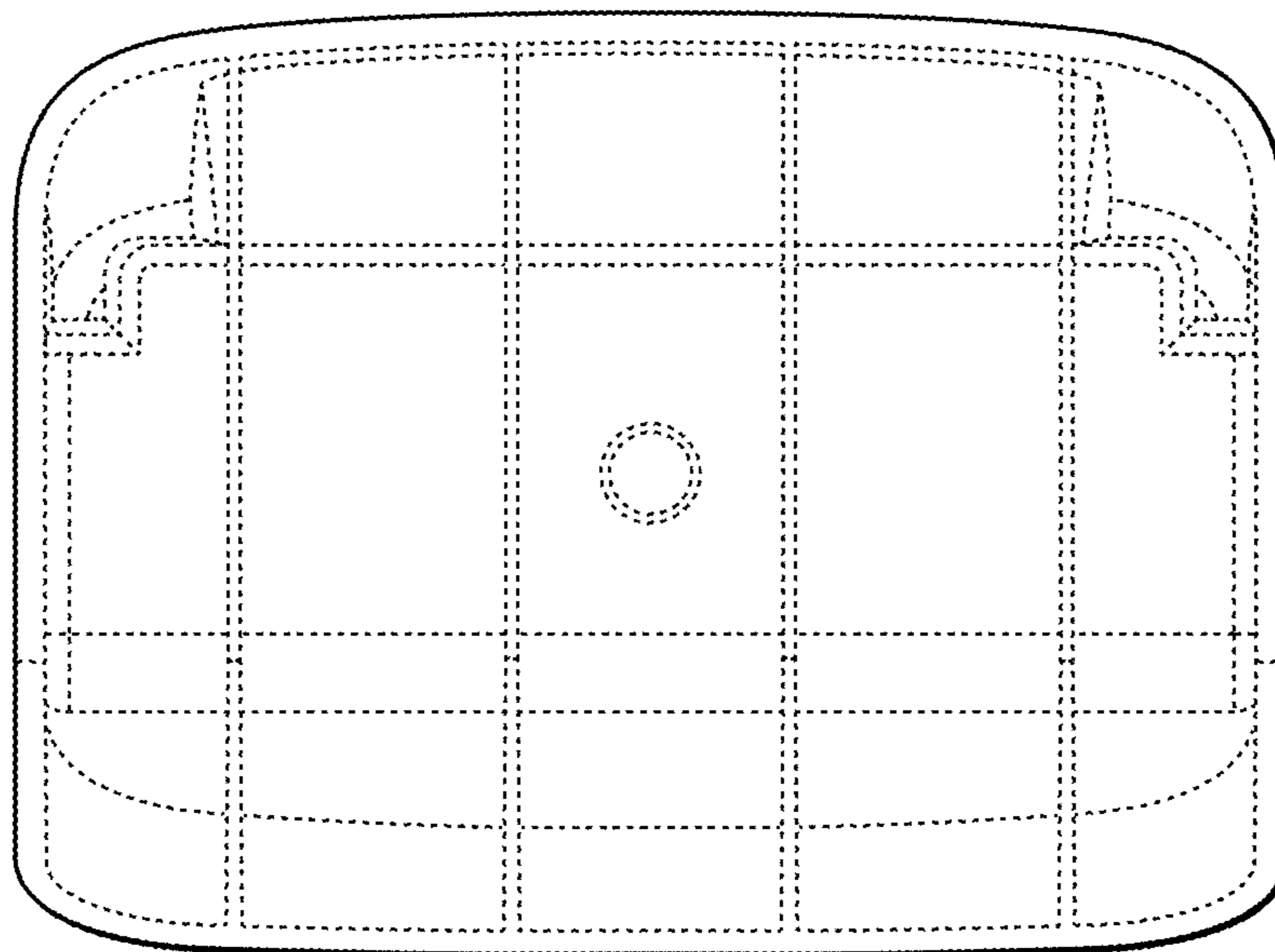


FIG. 17

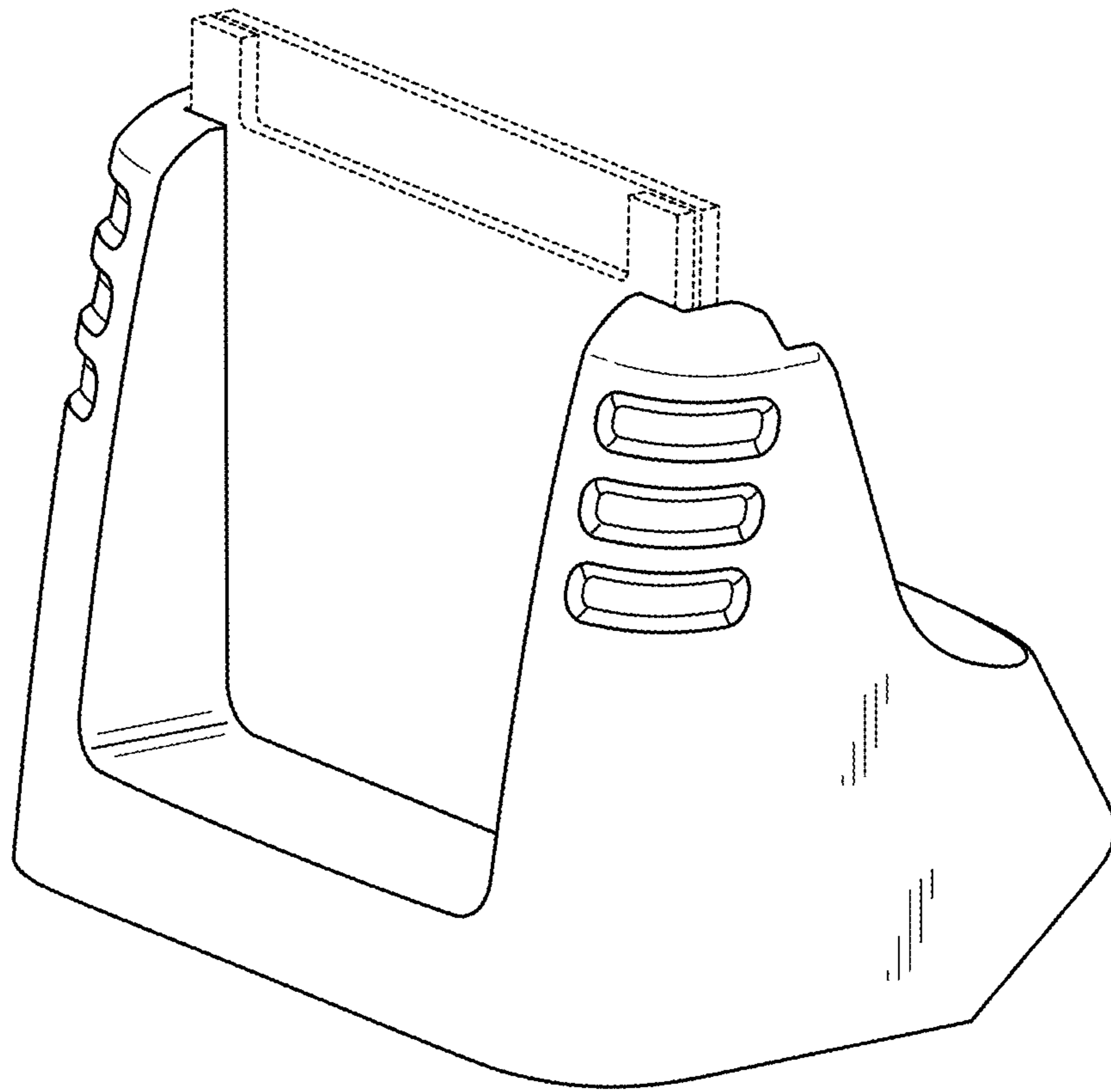


FIG. 18