



US00D816864S

(12) **United States Design Patent** (10) **Patent No.:** **US D816,864 S**
Lacy et al. (45) **Date of Patent:** **** May 1, 2018**

(54) **NOTCHED POLE CLAMP FOR MEDICAL DEVICE**

(71) Applicant: **Smiths Medical ASD, Inc.**, Plymouth, MN (US)

(72) Inventors: **Christopher Lacy**, Arden Hills, MN (US); **Kevin Krautbauer**, Saint Paul, MN (US); **Steven Plager**, Eden Prairie, MN (US)

(73) Assignee: **Smiths Medical ASD, Inc.**, Plymouth, MN (US)

(**) Term: **15 Years**

(21) Appl. No.: **29/588,355**

(22) Filed: **Dec. 20, 2016**

(51) **LOC (11) Cl.** **24-02**

(52) **U.S. Cl.**
USPC **D24/227**

(58) **Field of Classification Search**
USPC D24/108, 111, 127-129, 227-229, 231, D24/234
CPC . A61M 5/1413; H05K 5/0021; H05K 7/1435; F16M 13/02; F16M 11/24; F16M 2200/027; A61B 19/0256; G06F 19/3412; G06F 19/3468
See application file for complete search history.

(56) **References Cited**

U.S. PATENT DOCUMENTS

4,756,706	A	7/1988	Kerns et al.	
5,733,061	A	3/1998	Child	
6,277,109	B1 *	8/2001	Harper	A61M 1/0021 604/540
6,290,694	B1 *	9/2001	Harper	A61M 1/0021 128/DIG. 6
6,593,528	B2 *	7/2003	Franklin-Lees	A61M 5/1413 174/50
7,556,616	B2	7/2009	Fathallah et al.	

8,011,629	B2	9/2011	Herskovic	
8,047,482	B2	11/2011	Poncon et al.	
8,167,259	B2	5/2012	Spang, Jr. et al.	
8,256,984	B2	9/2012	Fathallah et al.	
8,336,839	B2	12/2012	Boccoleri et al.	
8,459,602	B2	6/2013	Herskovic	
8,695,957	B2 *	4/2014	Quintania	B25B 5/006 248/309.1

(Continued)

FOREIGN PATENT DOCUMENTS

CN	103083755	B	7/2015
EP	0477551	B1	1/1995

(Continued)

Primary Examiner — Susan Bennett Hattan
Assistant Examiner — Leanne Was-Englehart
(74) *Attorney, Agent, or Firm* — Patterson Thuent Pedersen, P.A.

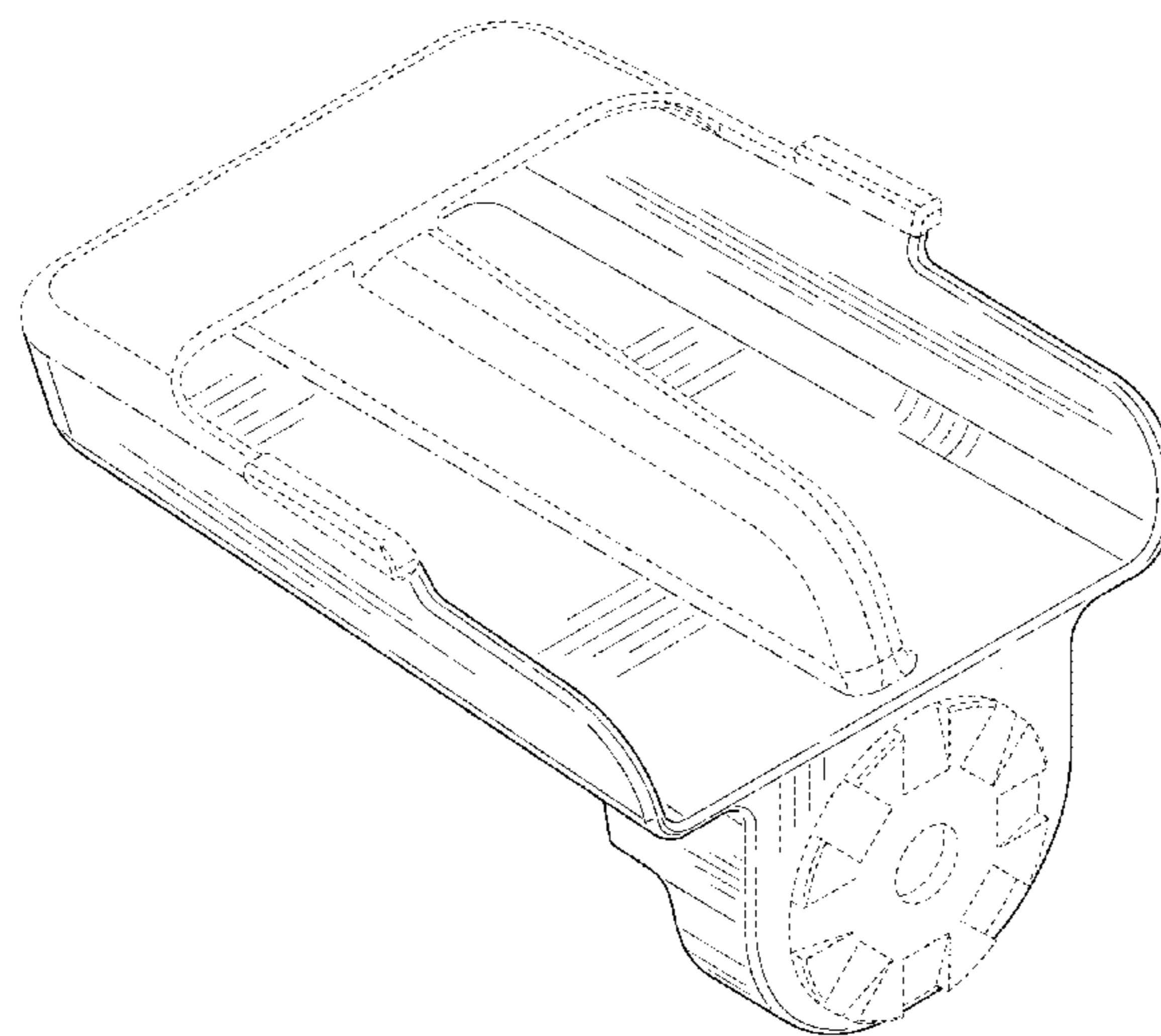
(57) **CLAIM**

We claim the ornamental design for a notched pole clamp for medical device, as shown and described.

DESCRIPTION

FIG. 1 is a front right perspective view of a notched pole clamp for medical device.
FIG. 2 is a front elevation view thereof.
FIG. 3 is a rear elevation view thereof.
FIG. 4 is a left side elevation view thereof.
FIG. 5 is a right side elevation view thereof.
FIG. 6 is a top plan view thereof.
FIG. 7 is a bottom plan view thereof; and,
FIG. 8 is a rear left perspective view thereof.
Items shown in broken lines depict environment and portions of the notched pole clamp for medical device that form no part of the claimed invention. The dash-dot lines represent the bounds of the claimed design.

1 Claim, 7 Drawing Sheets



(56)

References Cited

U.S. PATENT DOCUMENTS

9,295,778 B2* 3/2016 Kamen G06F 19/3406
9,341,308 B2* 5/2016 Lacy F16M 13/022
D762,300 S * 7/2016 Breitweiser D24/128
9,744,300 B2* 8/2017 Kamen A61M 5/172
D799,025 S * 10/2017 Johnson D24/111
2002/0134570 A1* 9/2002 Franklin-Lees A61M 5/1413
174/58
2007/0219495 A1 9/2007 Kato et al.
2007/0267556 A1 11/2007 Herskovic
2010/0065700 A1 3/2010 Poncon et al.
2010/0258690 A1* 10/2010 Kleitsch A61M 5/1417
248/219.4
2010/0314517 A1* 12/2010 Patzer A61M 5/1415
248/230.3
2013/0184676 A1 7/2013 Kamen et al.
2013/0324929 A1 12/2013 Mochizuki et al.
2014/0046296 A1 2/2014 Clarke
2014/0259837 A1 9/2014 Belliveau et al.
2014/0321096 A1 10/2014 Kajackas
2015/0001285 A1 1/2015 Halbert et al.
2015/0041419 A1 2/2015 Hasegawa
2015/0190567 A1 7/2015 Asama et al.
2015/0224252 A1 8/2015 Borges et al.
2017/0266389 A1* 9/2017 McLoughlin A61M 5/31568

FOREIGN PATENT DOCUMENTS

EP 1233799 B1 2/2006
EP 3067077 A1 9/2016
JP 2004305280 A 11/2004
JP D1247382 * 8/2005
JP 4939707 B2 5/2012
JP D1491891 * 3/2014
RU 00059734 * 7/2006

* cited by examiner

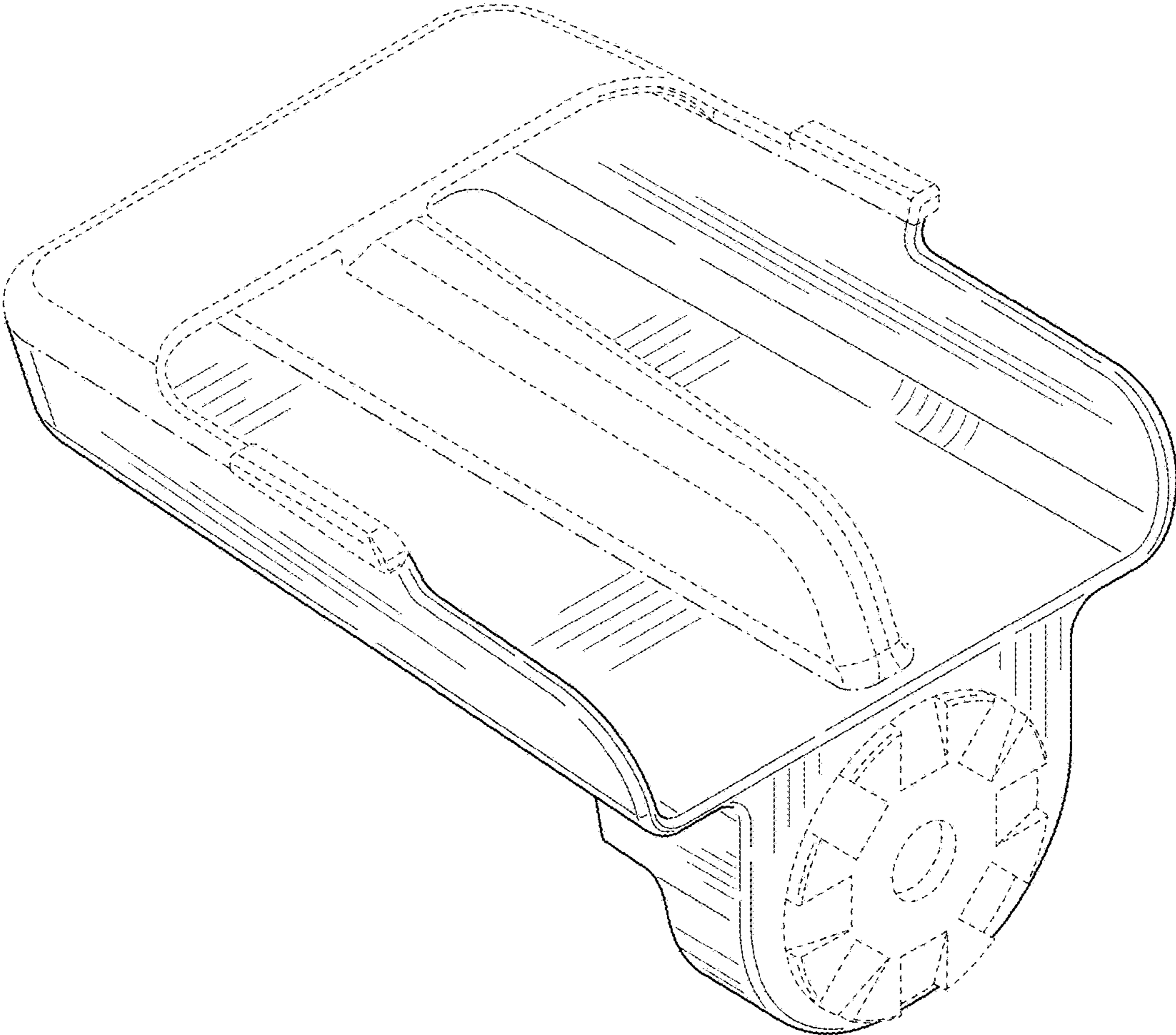


FIG. 1

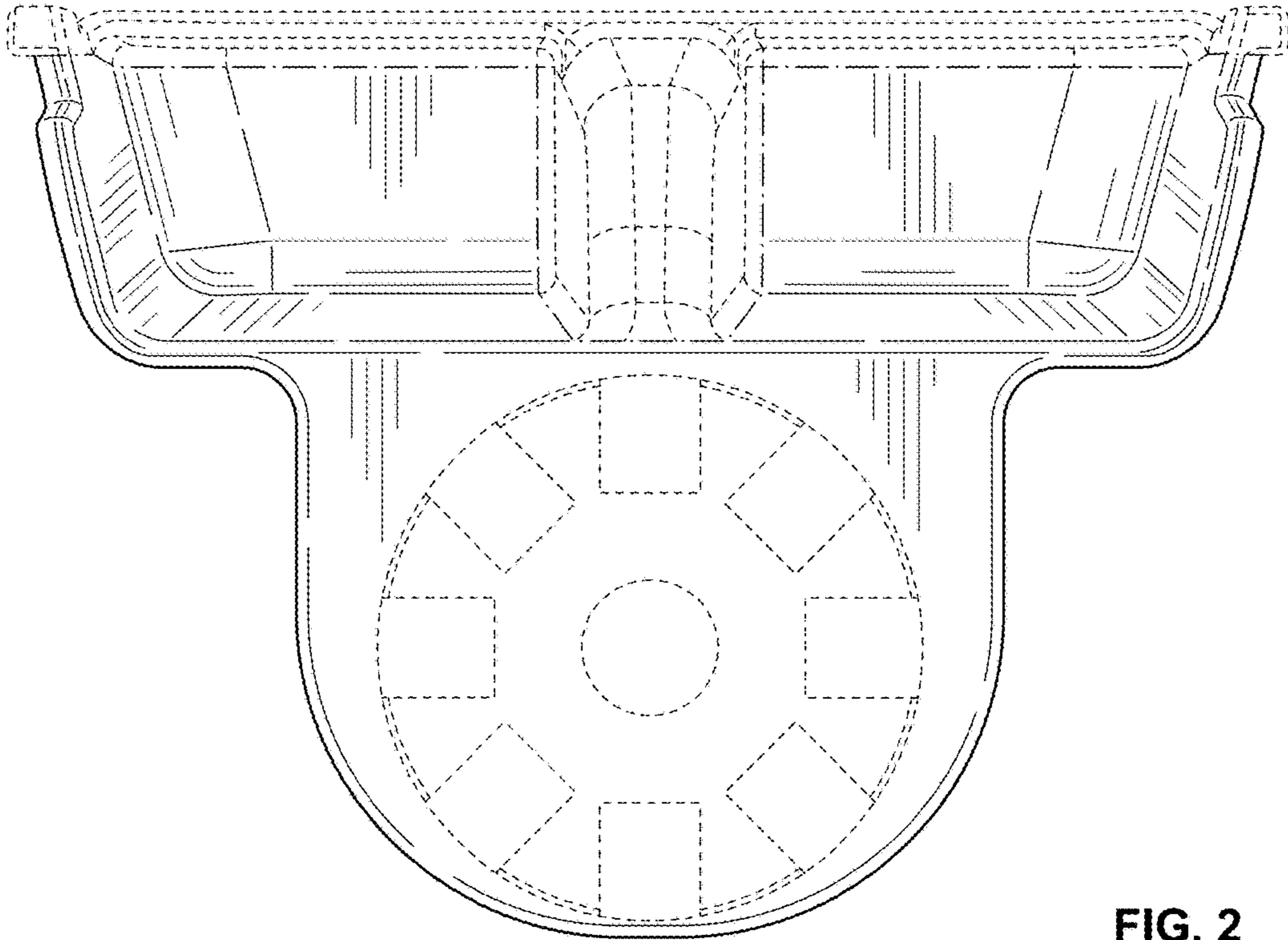


FIG. 2

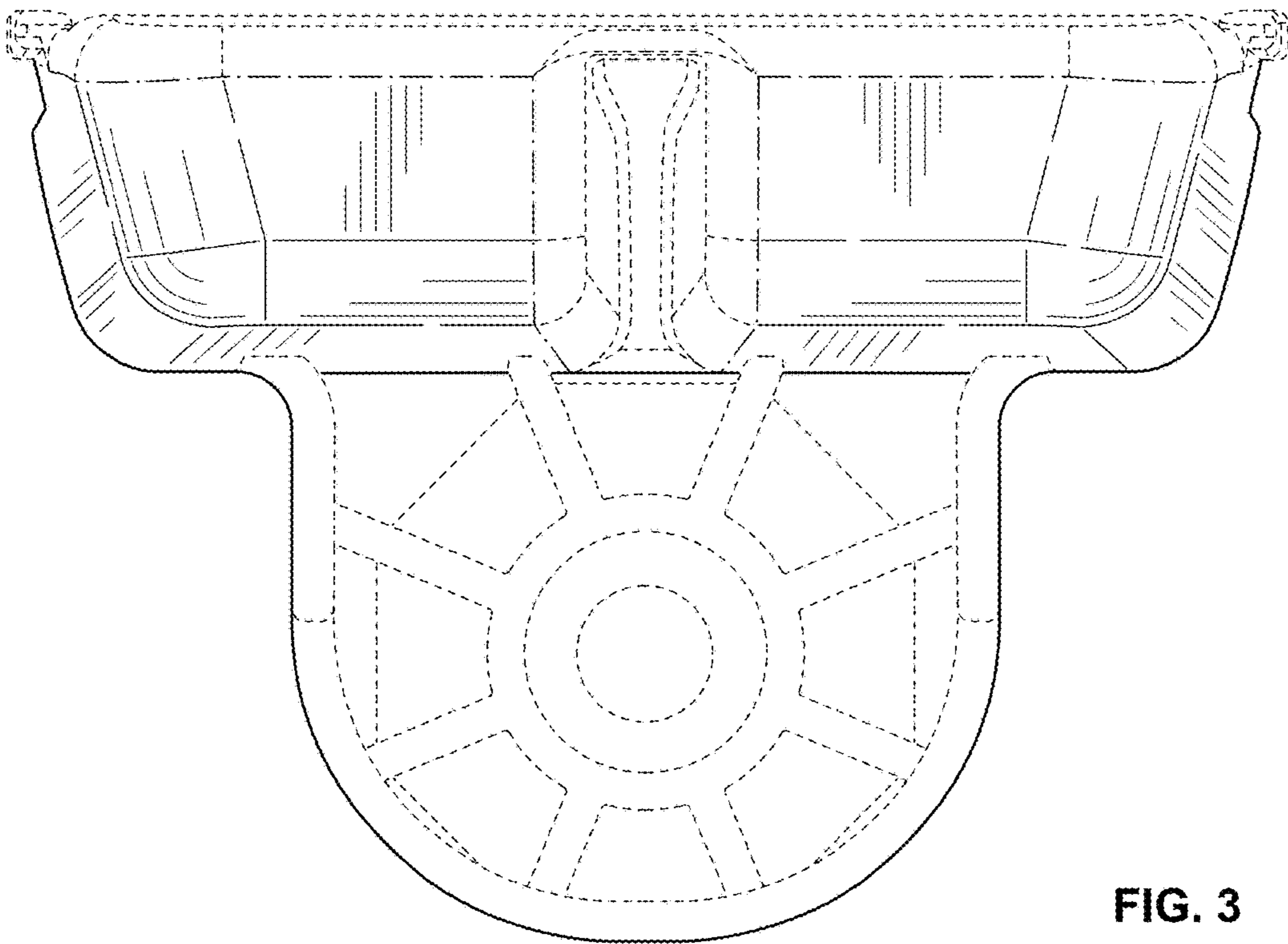


FIG. 3

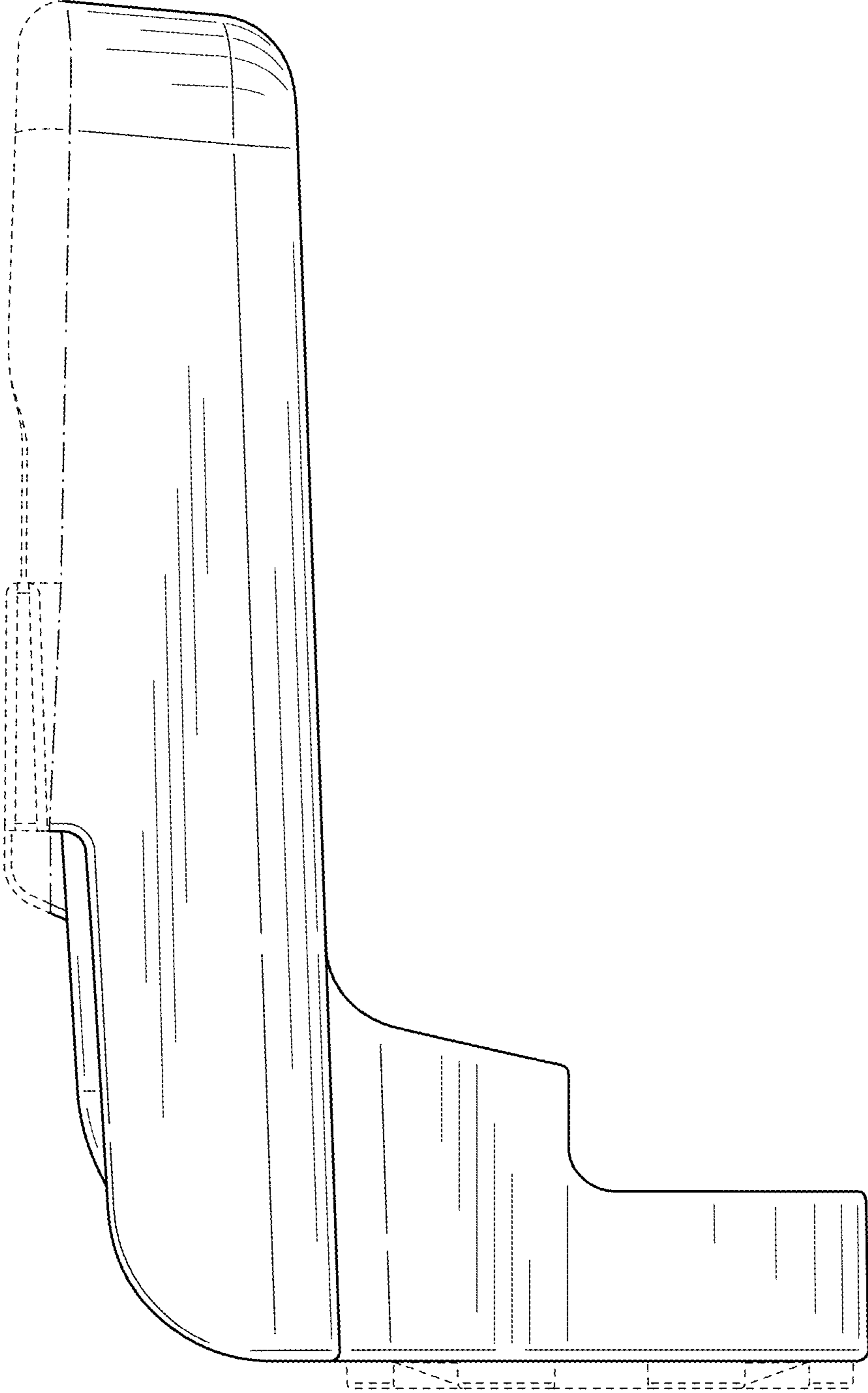


FIG. 4

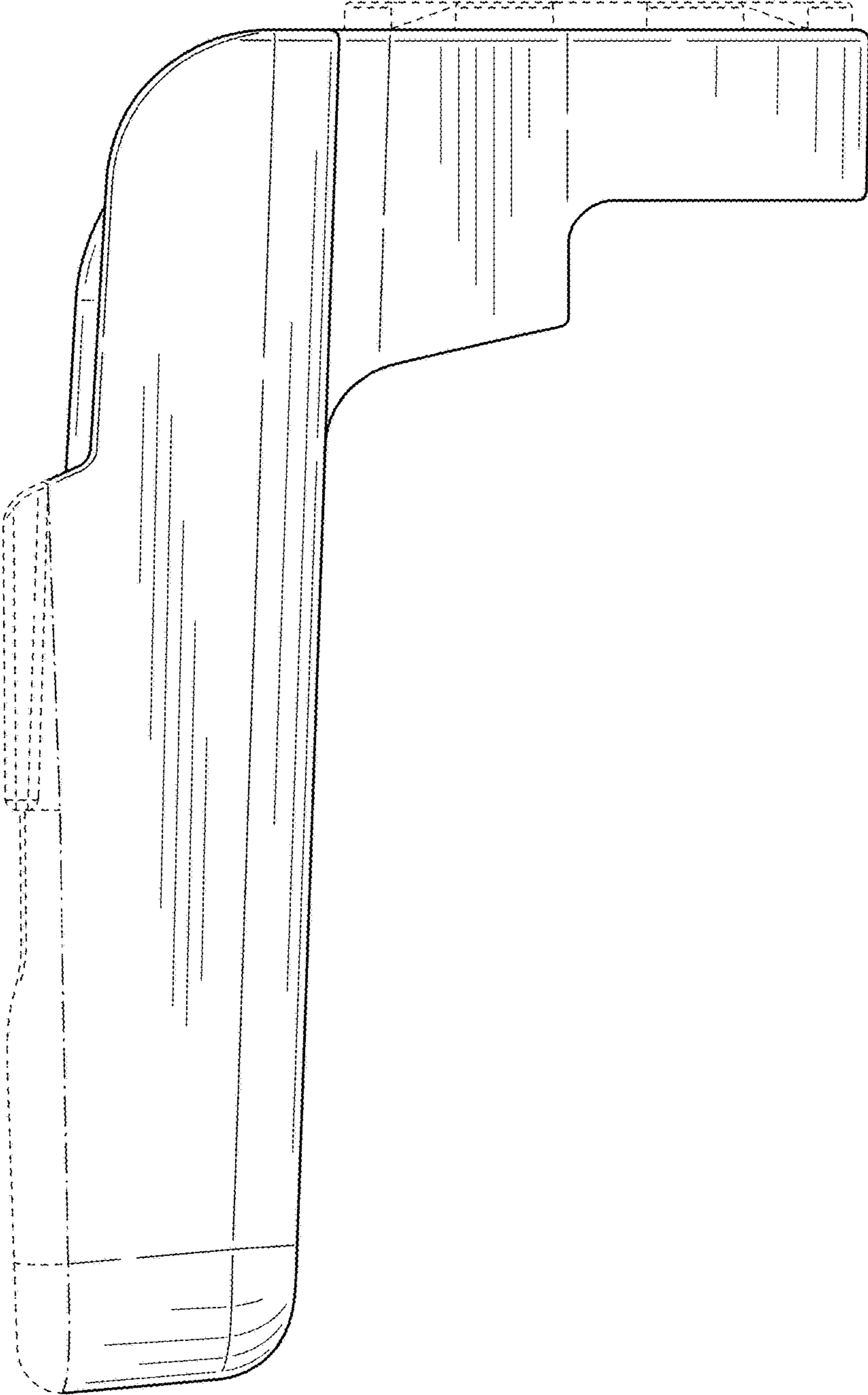


FIG. 5

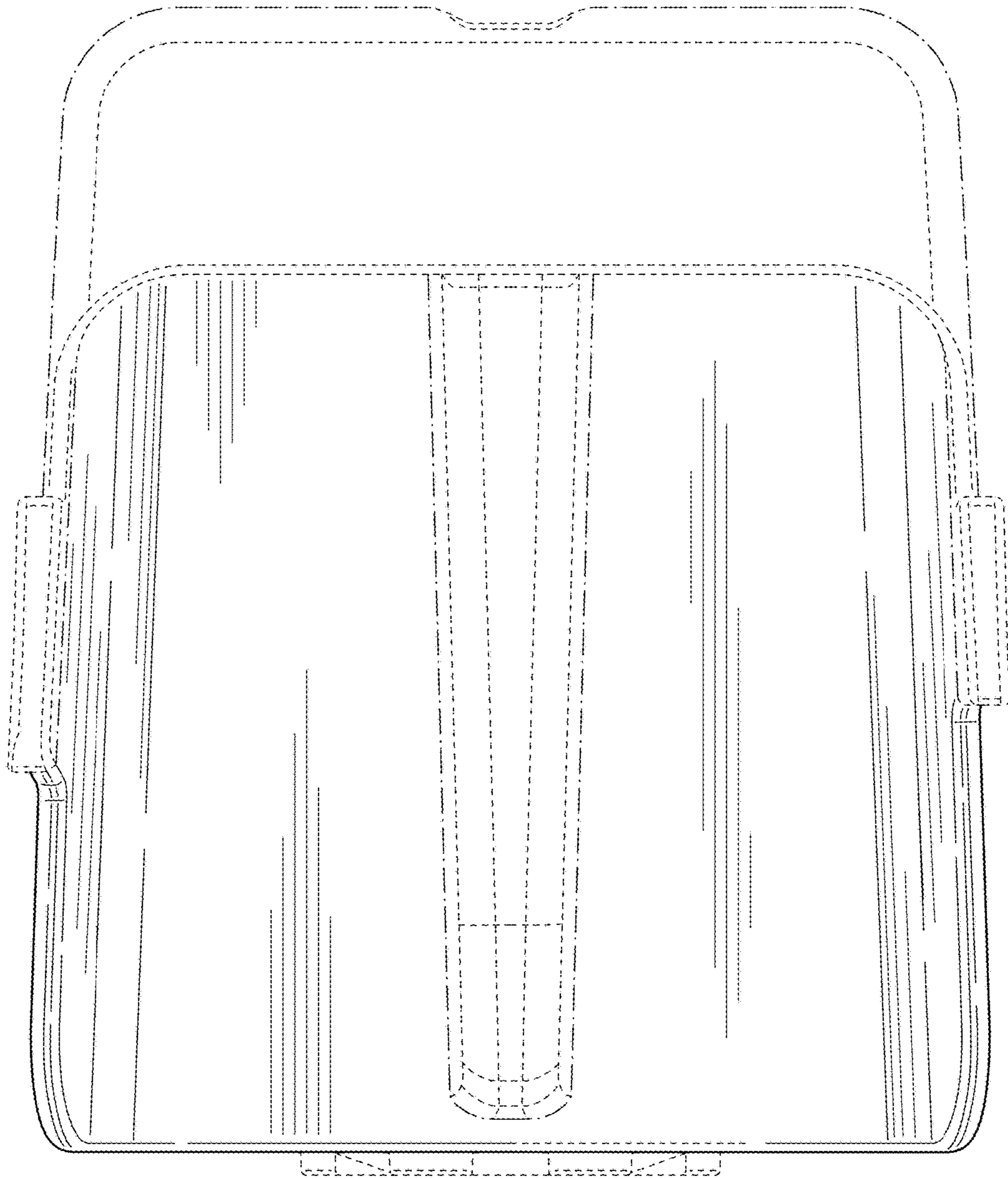


FIG. 6

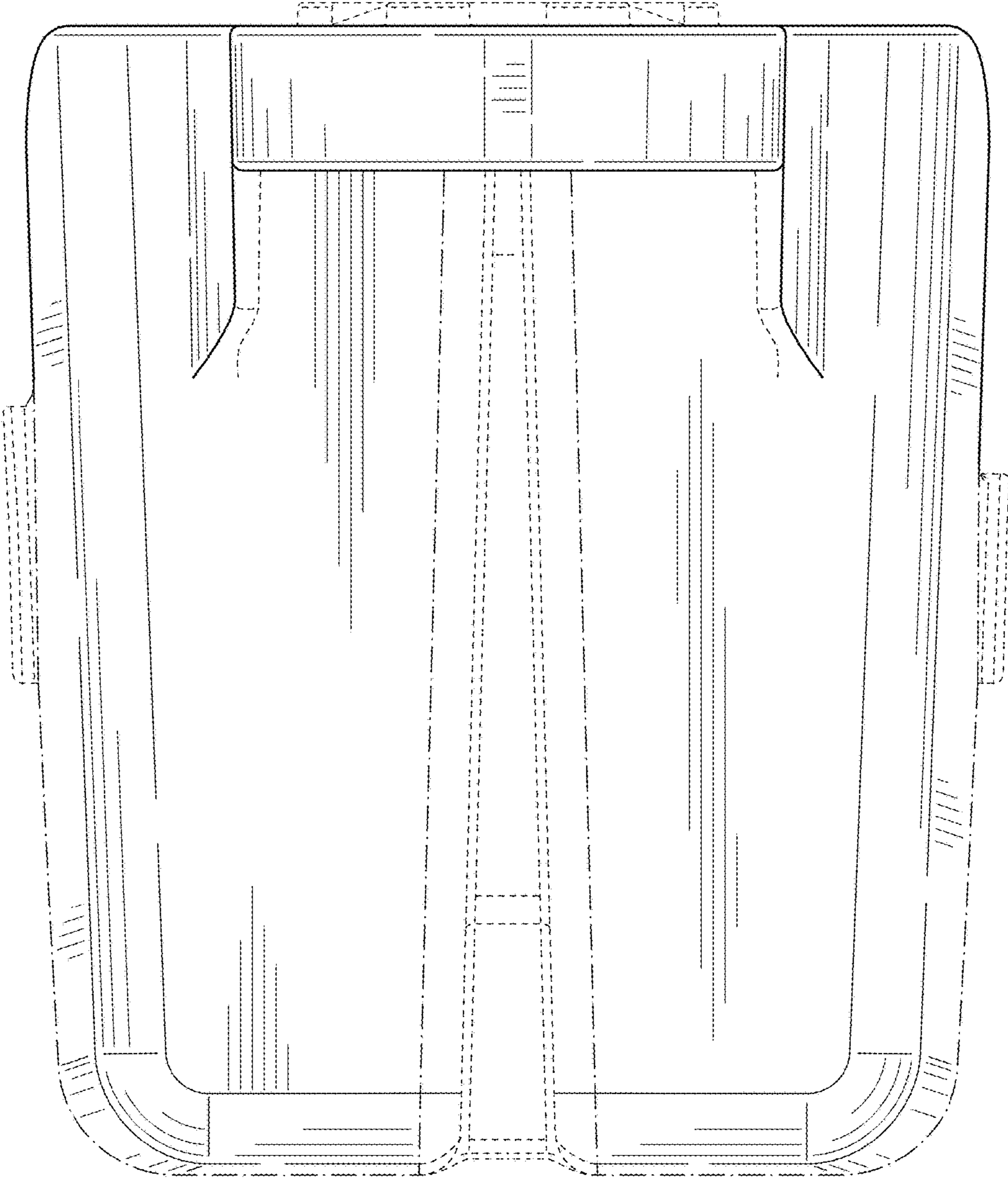


FIG. 7

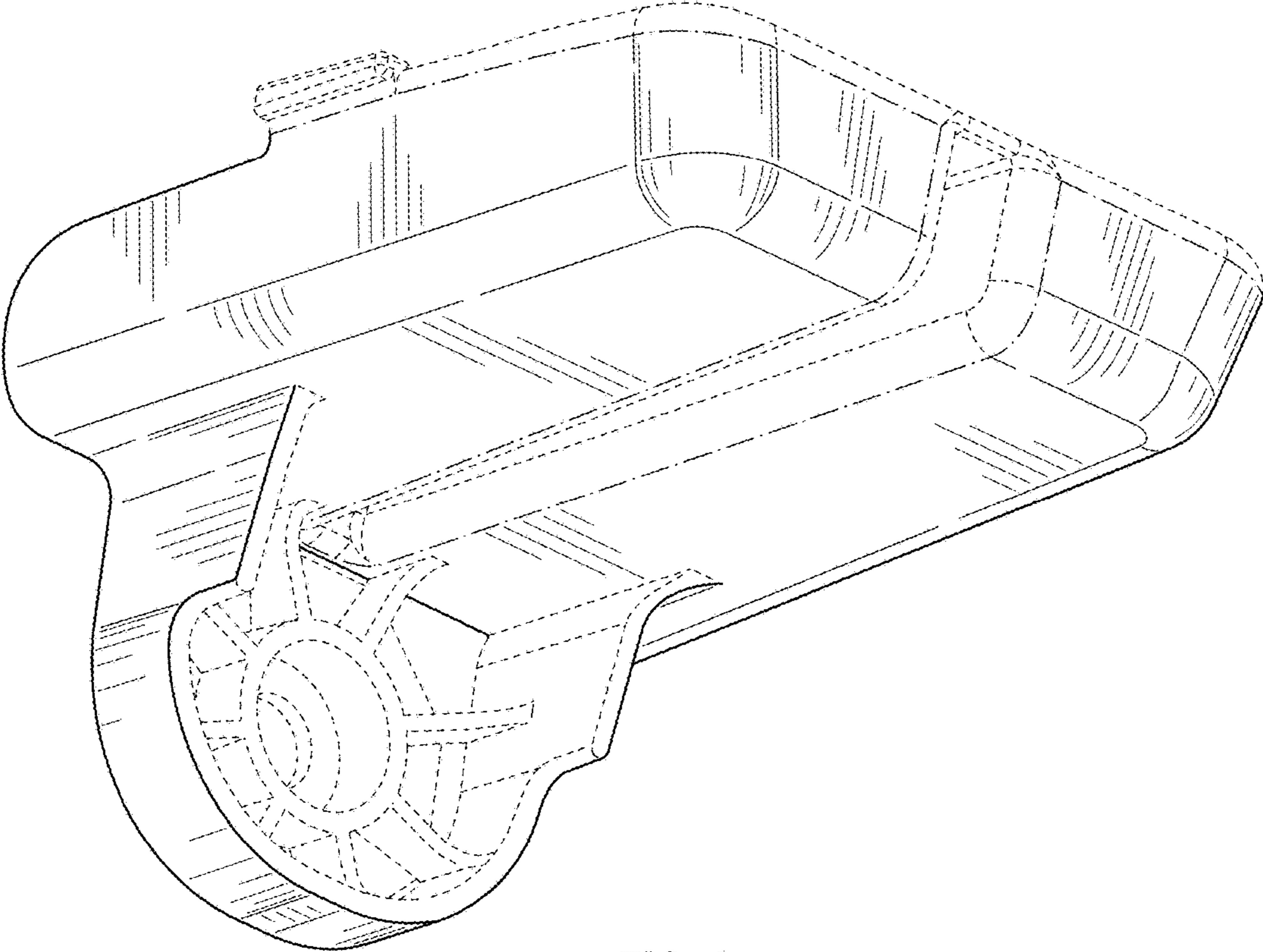


FIG. 8