



US00D816863S

(12) **United States Design Patent**
Hsu

(10) **Patent No.:** **US D816,863 S**
(45) **Date of Patent:** **** May 1, 2018**

(54) **TEST STRIP**
(71) Applicant: **Bonraybio Co., Ltd.**, Taichung (TW)
(72) Inventor: **Cheng-Teng Hsu**, Taichung (TW)
(73) Assignee: **BONRAYBIO CO., LTD.**, Taichung (TW)
(**) Term: **15 Years**
(21) Appl. No.: **29/598,209**
(22) Filed: **Mar. 23, 2017**
(51) **LOC (11) Cl.** **24-01**
(52) **U.S. Cl.**
USPC **D24/225**
(58) **Field of Classification Search**
USPC D24/216-217, 219, 222-226, 227, 231,
D24/232, 107, 169, 186; D10/81;
422/400-404, 408, 430, 68.1, 56, 69, 500;
435/287.1, 287.3, 287.4, 288.1, 288.3,
435/288.7, 806
CPC B01L 2300/0822; B01L 2300/0825; B01L
2300/0829; B01L 3/5027; B01L 3/502707
See application file for complete search history.

2005/0266499 A1* 12/2005 Tan G01N 33/558
435/7.1
2014/0271400 A1* 9/2014 Cheng G01N 33/54366
422/417
2015/0328632 A1* 11/2015 Kurata B01L 3/50
435/309.1

OTHER PUBLICATIONS

Lenshooke, posted at bonraybio.com, posting date not verifiable, online, site visited Feb. 13, 2018, URL: <http://www.bonraybio.com/en/product.php?act=view&id=6> (Year: 2018).*

* cited by examiner

Primary Examiner — Anhdao Doan
Assistant Examiner — Mary Shannon Malley
(74) *Attorney, Agent, or Firm* — DLA Piper LLP (US)

(57) **CLAIM**

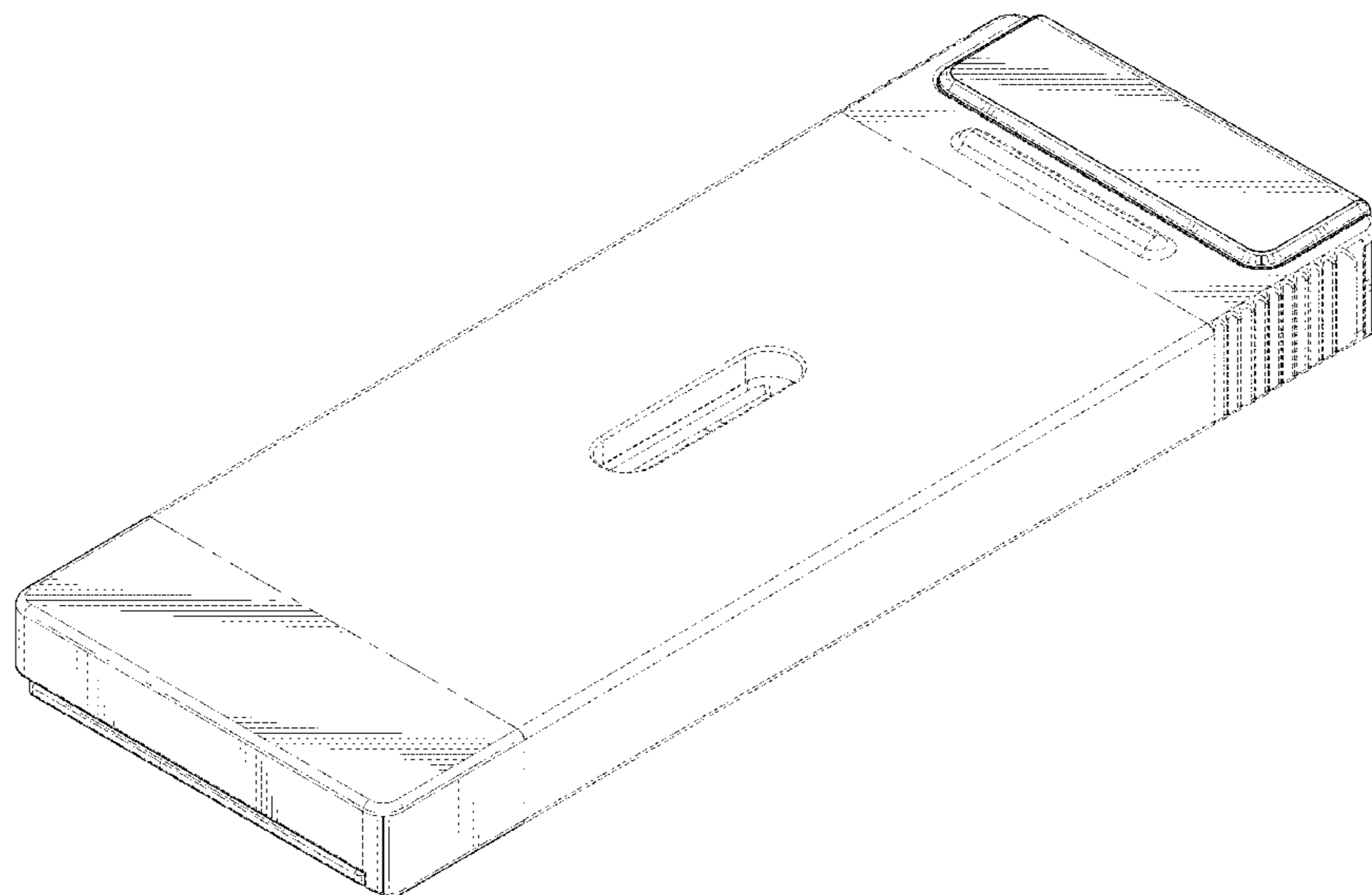
The ornamental design for a test strip, as shown and described.

DESCRIPTION

FIG. 1 is a perspective view of a test strip showing my new design;
FIG. 2 is a front elevational view thereof;
FIG. 3 is a rear elevational view thereof;
FIG. 4 is a left side elevational view thereof;
FIG. 5 is a right side elevational view thereof;
FIG. 6 is a top plan view thereof; and,
FIG. 7 is a bottom plan view thereof.
The dash-dash broken lines show portions of the test strip which form no part of the claimed design. The dot dash lines represent the boundaries of the claimed design.

1 Claim, 7 Drawing Sheets

(56) **References Cited**
U.S. PATENT DOCUMENTS
D640,389 S * 6/2011 Francis D24/225
D655,424 S * 3/2012 Castanon D24/225
D668,350 S * 10/2012 Rowley D24/225
D668,779 S * 10/2012 Khan D24/225
D734,482 S * 7/2015 Peterman D24/216
D739,553 S * 9/2015 Yang D24/232
D770,057 S * 10/2016 Snider D24/223
D794,803 S * 8/2017 Thom D24/169
2003/0156996 A1* 8/2003 Delorme B01L 3/5023
422/400
2003/0235521 A1* 12/2003 Shea B01J 19/0046
506/39



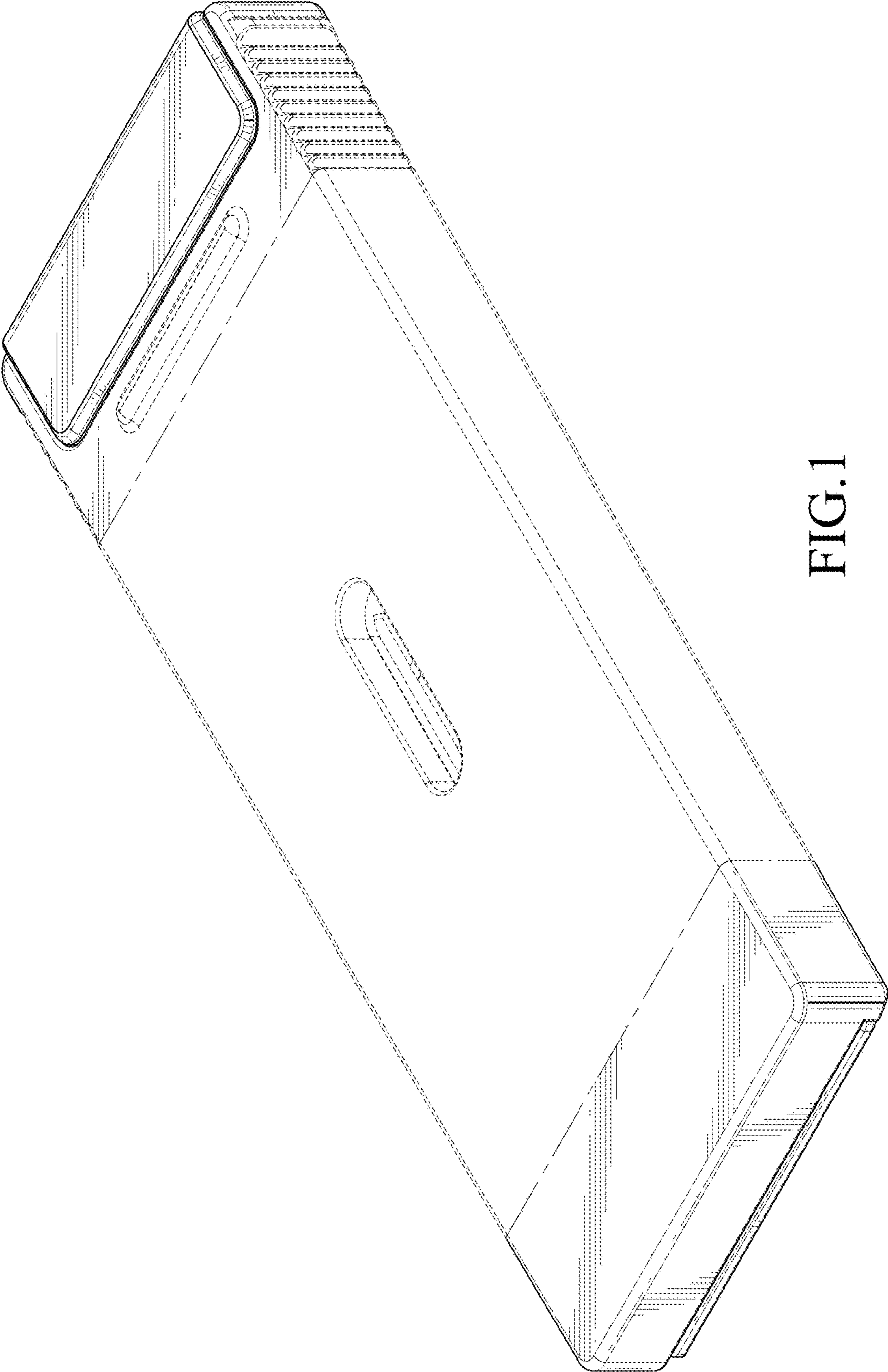


FIG. 1

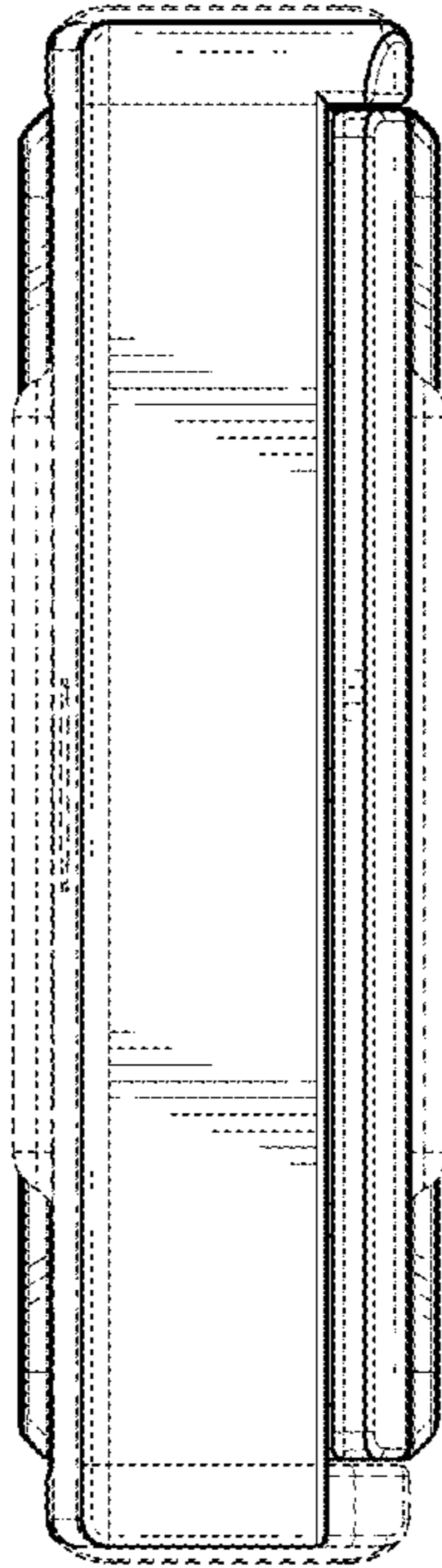


FIG. 2

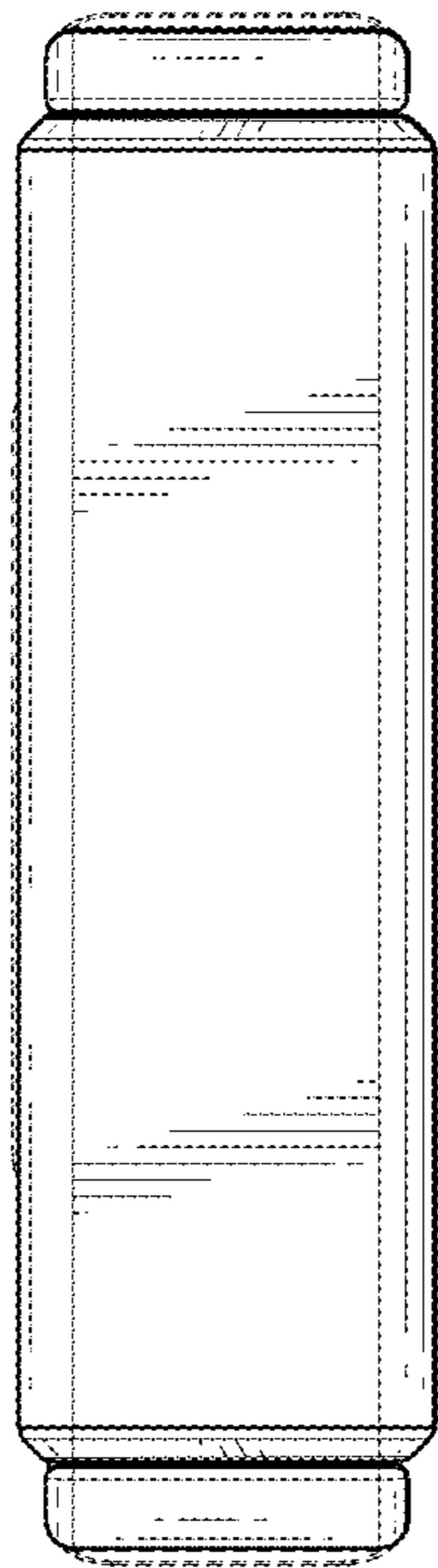


FIG.3

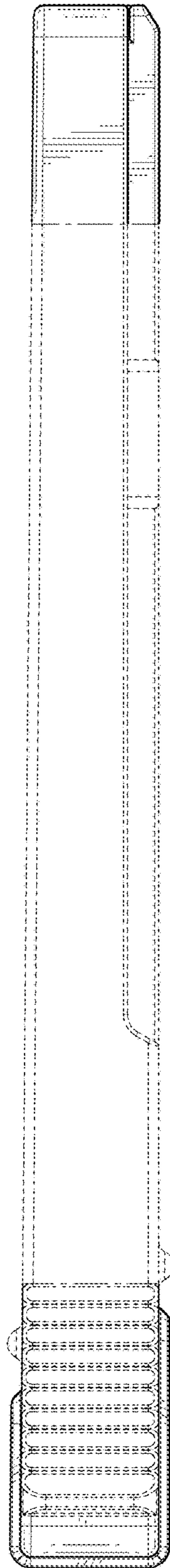


FIG.4

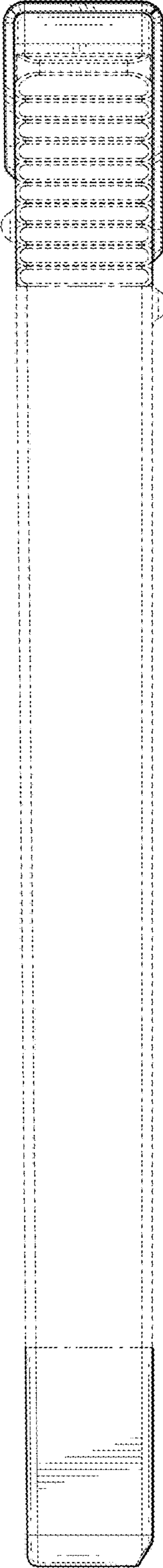


FIG.5

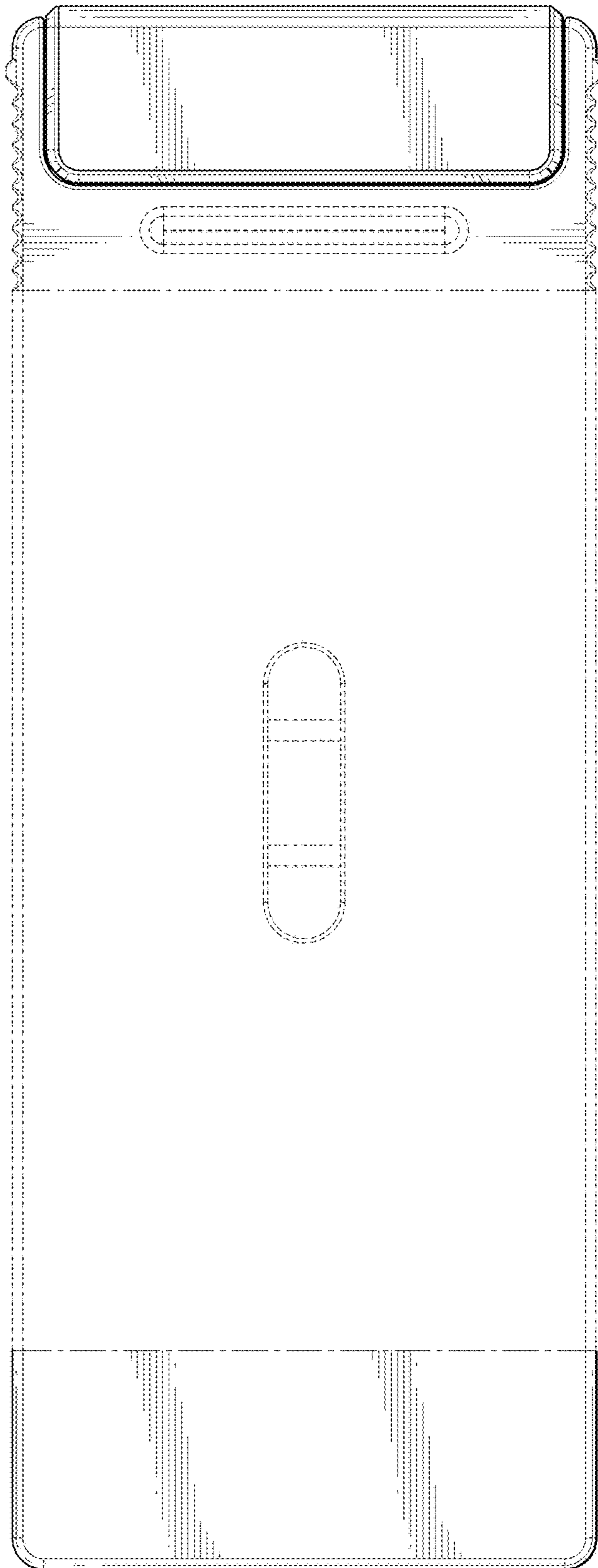


FIG.6

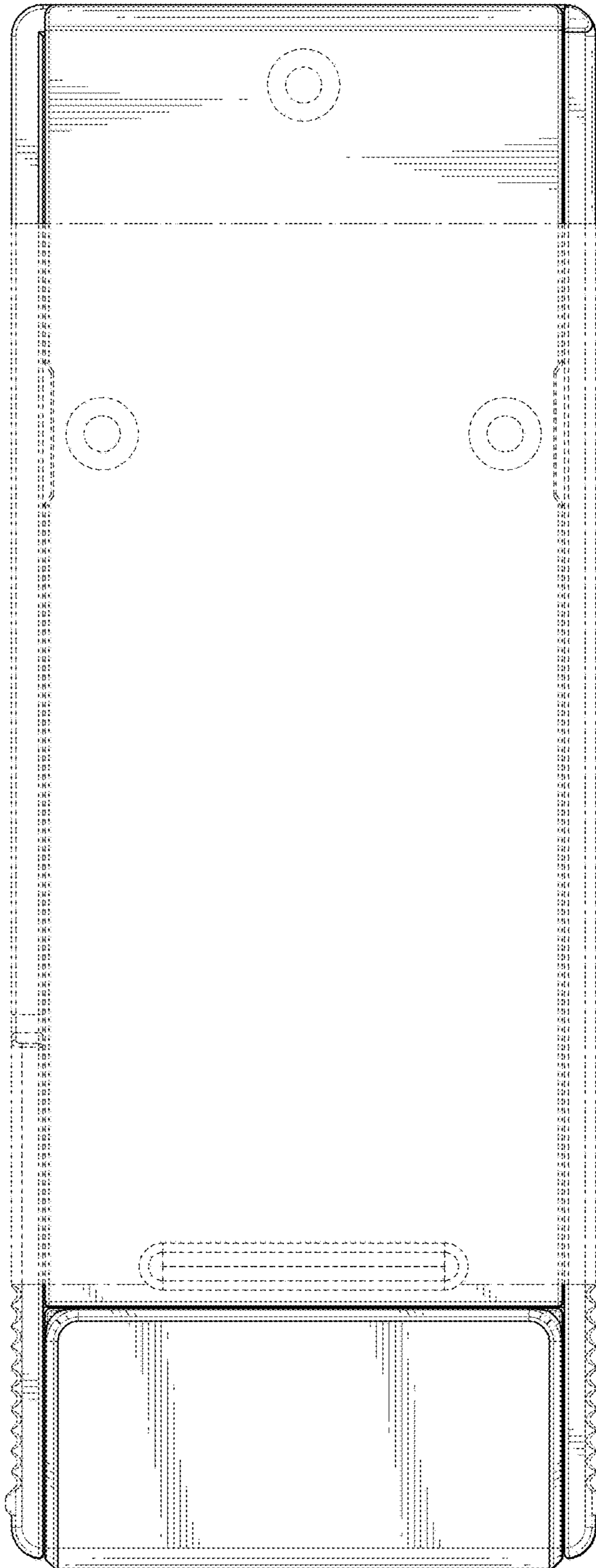


FIG. 7