



US00D816861S

(12) **United States Design Patent**  
**Levner et al.**

(10) **Patent No.:** **US D816,861 S**  
(45) **Date of Patent:** **\*\* May 1, 2018**

(54) **TRANSPARENT MICROFLUIDIC CHIP WITHOUT PRESSURE FEATURES FOR USE WITH A FLUID PERFUSION MODULE**

(71) Applicant: **EMULATE, Inc.**, Boston, MA (US)

(72) Inventors: **Daniel Levner**, Brookline, MA (US); **Guy Robert Thompson, II**, Watertown, MA (US); **Norman Wen**, West Roxbury, MA (US); **Lewis Rowe**, La Verne, CA (US)

(73) Assignee: **EMULATE, Inc.**, Boston, MA (US)

(\*\*) Term: **15 Years**

(21) Appl. No.: **29/576,825**

(22) Filed: **Sep. 7, 2016**

(51) **LOC (11) Cl.** ..... **24-02**

(52) **U.S. Cl.**  
USPC ..... **D24/224**

(58) **Field of Classification Search**  
USPC ..... D13/180, 182, 184, 199; D24/216, 224, D24/225, 226, 227, 229, 230, 231, 232  
CPC ..... B01L 3/5027; B01L 3/502715; B01L 3/502723; B01L 3/50273; B01L 3/502738; B01L 3/502761; B01L 3/502784; C12M 23/16

See application file for complete search history.

(56) **References Cited**

U.S. PATENT DOCUMENTS

D296,193 S \* 6/1988 Keeler ..... D9/435  
6,001,231 A \* 12/1999 Kopf-Sill ..... B01L 3/502746  
204/451  
6,176,962 B1 \* 1/2001 Soane ..... B01D 57/02  
156/273.5  
6,495,104 B1 \* 12/2002 Unno ..... B01L 3/5027  
204/601

D472,324 S \* 3/2003 Rumore ..... D24/216  
6,536,477 B1 \* 3/2003 O'Connor ..... B01L 3/5027  
137/833  
6,755,211 B1 \* 6/2004 O'Connor ..... B01L 3/502738  
137/315.01  
7,112,444 B2 \* 9/2006 Beebe ..... G01N 33/6818  
422/417  
7,329,538 B2 \* 2/2008 Wainwright ..... G01N 33/579  
435/23  
7,391,020 B2 \* 6/2008 Bousse ..... B05B 5/025  
250/281  
7,608,160 B2 \* 10/2009 Zhou ..... B01F 5/0683  
156/272.2  
8,763,642 B2 \* 7/2014 Vangbo ..... B01L 3/502738  
137/859  
9,475,052 B2 \* 10/2016 Tachibana ..... B01J 19/0093  
D771,833 S \* 11/2016 Leaver ..... D24/224  
9,561,506 B2 \* 2/2017 Taylor  
D785,811 S \* 5/2017 Watts ..... D24/224  
9,670,541 B2 \* 6/2017 Mehta ..... C12Q 1/6874  
D800,336 S \* 10/2017 Chang ..... D24/224  
2002/0134907 A1 \* 9/2002 Benett ..... B29C 39/10  
249/135  
2002/0187074 A1 \* 12/2002 O'Connor ..... B01F 5/0682  
422/82.05  
2004/0211054 A1 \* 10/2004 Morse ..... B01D 65/003  
29/623.4

(Continued)

*Primary Examiner* — Selina Sikder

(74) *Attorney, Agent, or Firm* — Medlen & Carroll, LLP

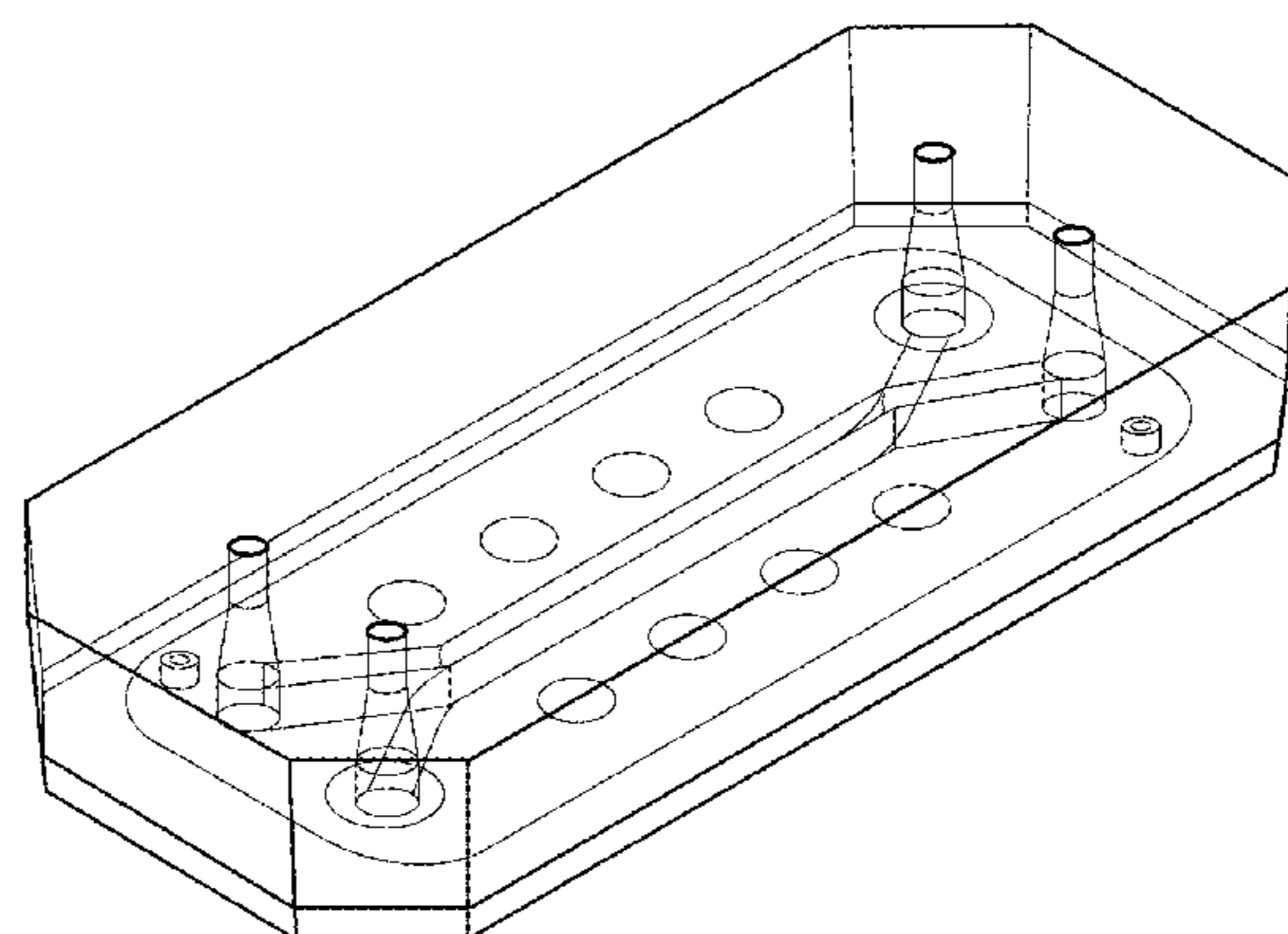
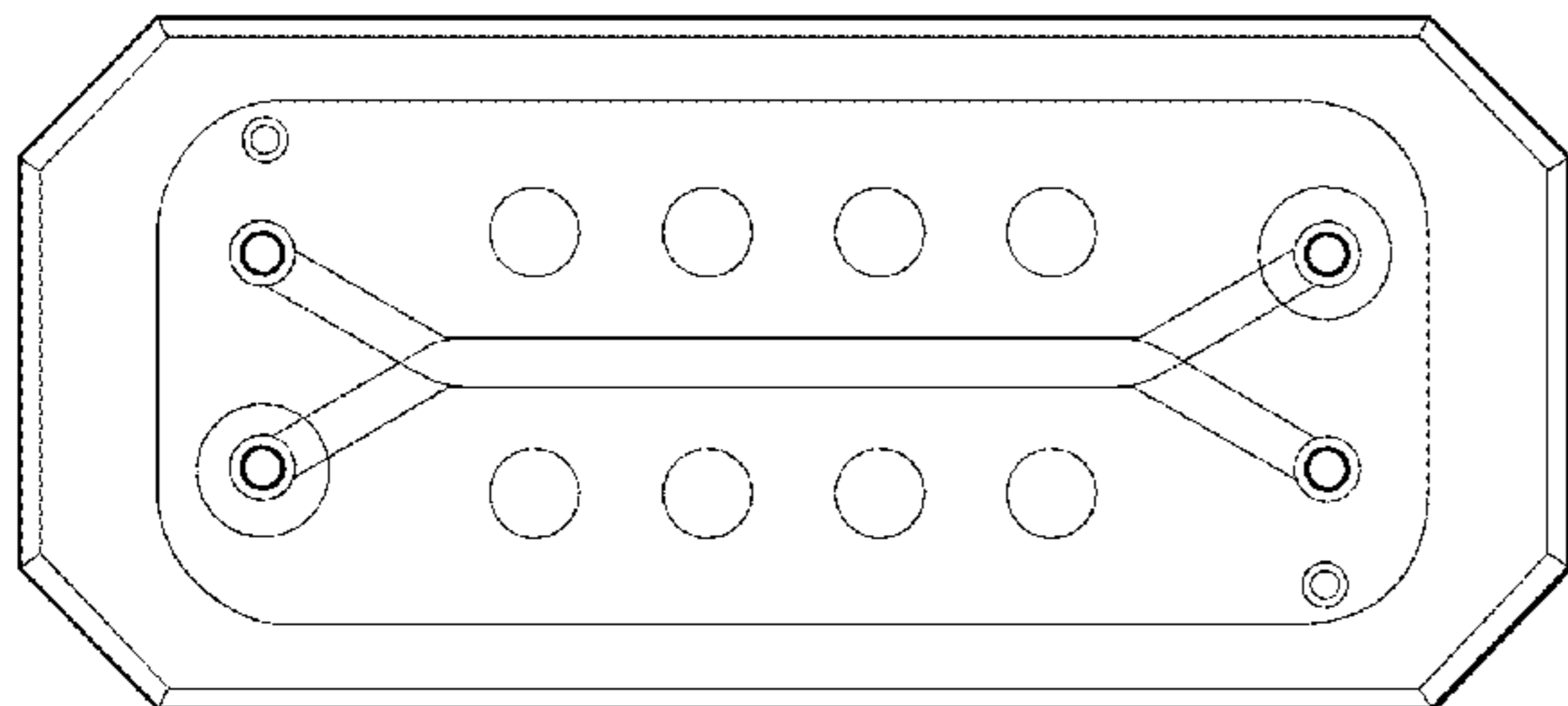
(57) **CLAIM**

The ornamental design for a transparent microfluidic chip without pressure features for use with a fluid perfusion module, as shown and described.

**DESCRIPTION**

FIG. 1 is a top plan view of an ornamental transparent microfluidic chip without pressure features for use with a fluid perfusion module; and, FIG. 2 is a top perspective view, thereof.

**1 Claim, 2 Drawing Sheets**



(56)

References Cited

U.S. PATENT DOCUMENTS

2005/0026134	A1 *	2/2005	Miller	.....	B01L 3/502746	506/14
2006/0228749	A1 *	10/2006	Wang	.....	G01N 33/5438	435/6.11
2007/0166199	A1 *	7/2007	Zhou	.....	B01L 3/5025	422/400
2009/0098659	A1 *	4/2009	Abhyankar	.....	B01L 3/5027	436/180
2009/0234332	A1 *	9/2009	Borenstein	.....	A61M 37/00	604/891.1
2009/0305326	A1 *	12/2009	Beebe	.....	B01J 19/0093	435/29
2009/0311796	A1 *	12/2009	Griss	.....	B01L 3/50273	436/166
2011/0003330	A1 *	1/2011	Durack	.....	B01L 3/502761	435/34
2011/0079513	A1 *	4/2011	Stelzle	.....	C12M 21/08	204/451
2011/0082563	A1 *	4/2011	Charest	.....	A61F 2/022	623/23.65
2011/0120562	A1 *	5/2011	Tan	.....	B01L 3/50273	137/1
2011/0250585	A1 *	10/2011	Ingber	.....	C12N 5/0696	435/5
2012/0070878	A1 *	3/2012	Fink	.....	B01L 3/502707	435/243
2012/0318726	A1 *	12/2012	Charest	.....	A61M 1/14	210/321.6
2013/0019688	A1 *	1/2013	Tung	.....	G01L 9/0058	73/719
2013/0130262	A1 *	5/2013	Battrell	.....	B01L 3/50273	435/6.12
2013/0288292	A1 *	10/2013	Meyvantsson	.....	B01L 3/50273	435/30
2013/0295551	A1 *	11/2013	Eddington	.....	A01N 1/0247	435/1.2
2014/0234954	A1 *	8/2014	Lee	.....	C12M 33/14	435/297.1
2014/0273223	A1 *	9/2014	Cho	.....	C12M 23/16	435/396
2015/0087079	A1 *	3/2015	Coffey	.....	G01N 33/54366	436/501
2016/0097028	A1 *	4/2016	Tung	.....	C12M 23/12	435/29
2016/0136646	A1 *	5/2016	Ingber	.....	B01L 3/563	435/309.1
2016/0136895	A1 *	5/2016	Beyer	.....	C12M 33/00	264/241
2016/0175840	A1 *	6/2016	Ingber	.....	B01L 3/502707	422/502
2016/0229683	A1 *	8/2016	Phommarine	.....	B81B 1/004	
2016/0313306	A1 *	10/2016	Ingber	.....	C12M 21/08	
2017/0022464	A1 *	1/2017	Novak	.....	C12M 23/16	
2017/0058257	A1 *	3/2017	Levner	.....	C12M 35/04	
2017/0113221	A1 *	4/2017	Hoffman	.....	B01L 3/502715	
2017/0121659	A1 *	5/2017	Hinojosa	.....	C12M 23/16	

\* cited by examiner

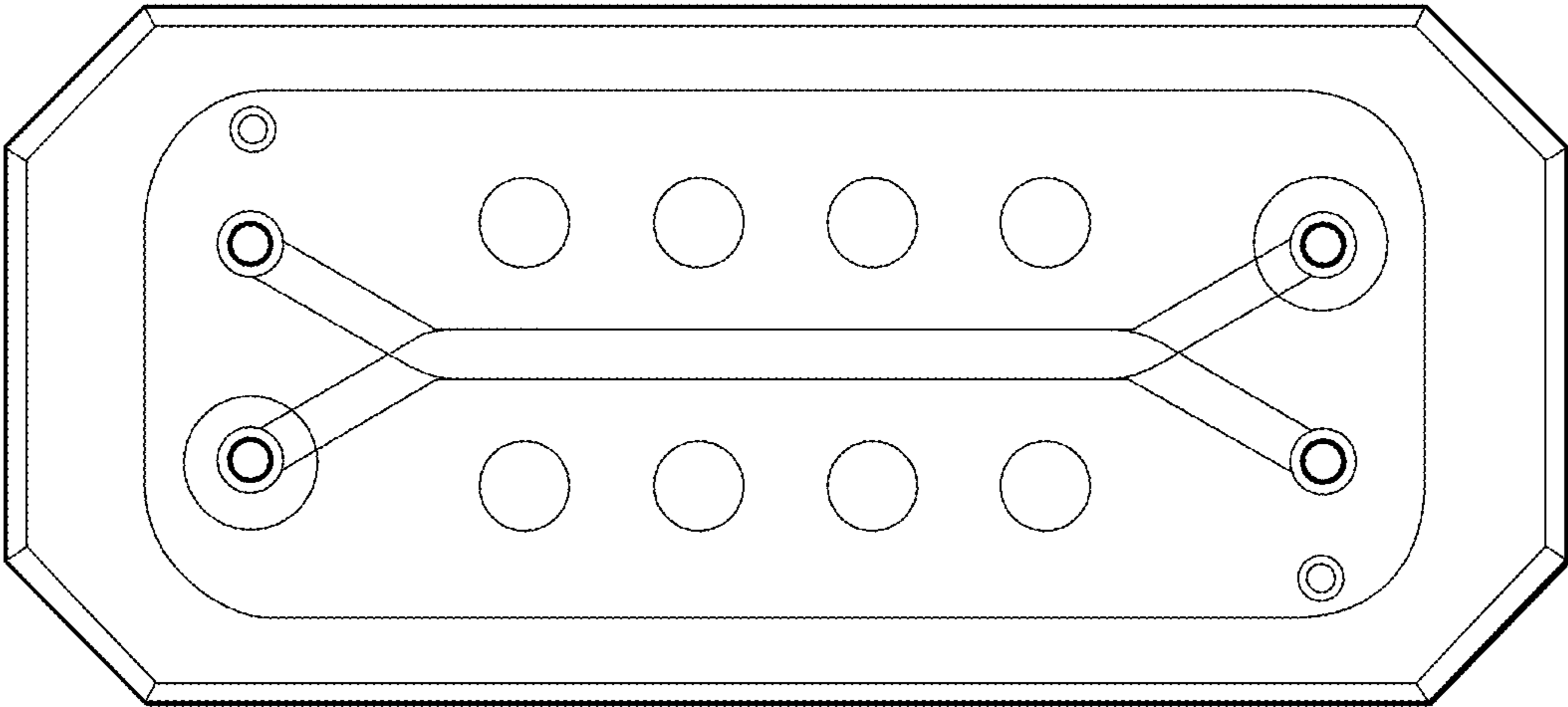


FIG. 1

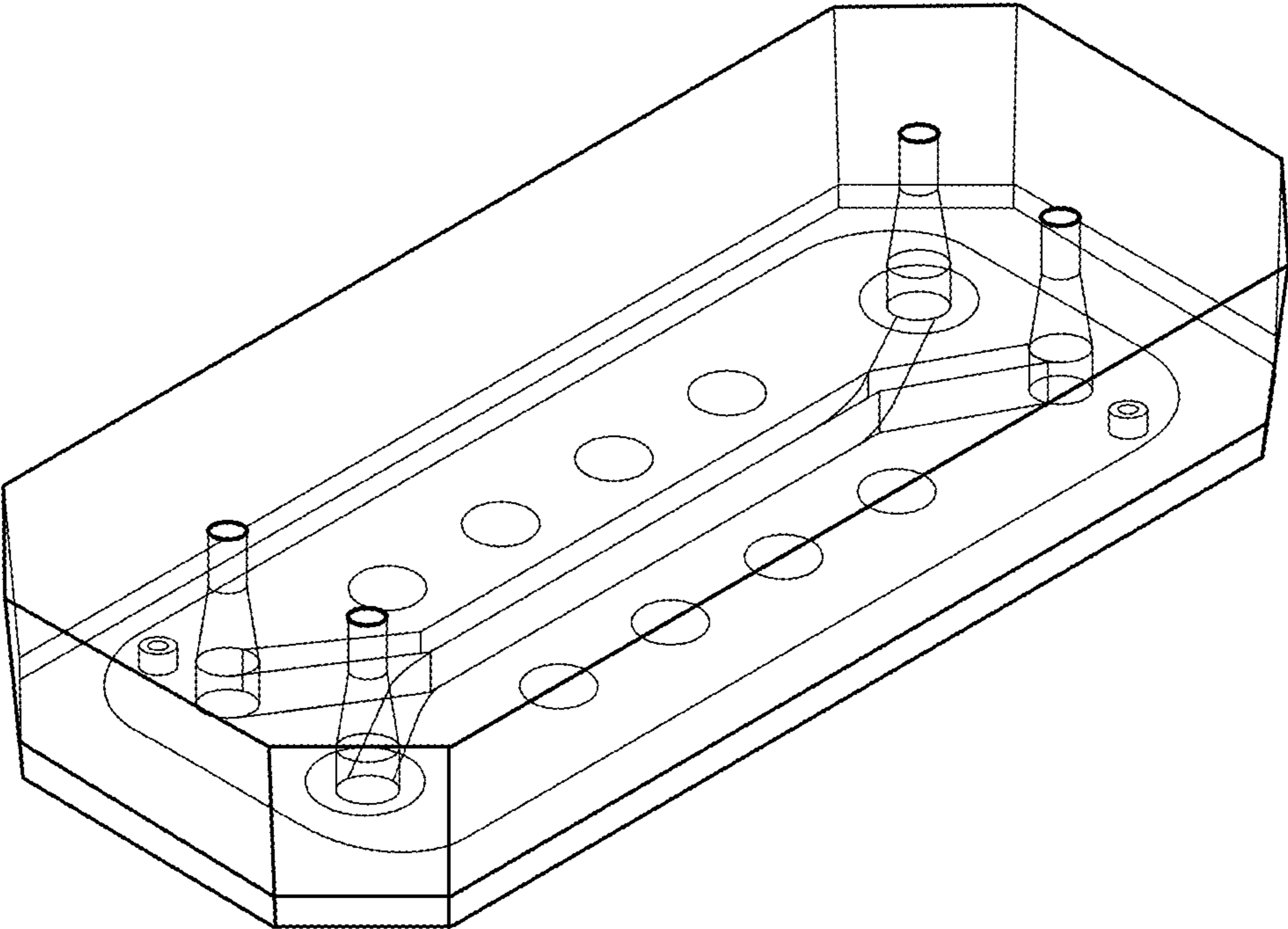


FIG. 2

UNITED STATES PATENT AND TRADEMARK OFFICE  
**CERTIFICATE OF CORRECTION**

PATENT NO. : D816,861 S  
APPLICATION NO. : 29/576825  
DATED : May 1, 2018  
INVENTOR(S) : Guy Robert Thompson, II, Norman Wen and Lewis Rowe

Page 1 of 1

It is certified that error appears in the above-identified patent and that said Letters Patent is hereby corrected as shown below:

On the Title Page

Item (72): please delete from the “Inventors”, “Daniel Levner, Brookline, MA, (US)”

Signed and Sealed this  
Eighteenth Day of May, 2021



Drew Hirshfeld  
*Performing the Functions and Duties of the  
Under Secretary of Commerce for Intellectual Property and  
Director of the United States Patent and Trademark Office*