



US00D816856S

(12) **United States Design Patent** (10) **Patent No.:** **US D816,856 S**  
**Edgar** (45) **Date of Patent:** **\*\* May 1, 2018**

(54) **SPA**

(71) Applicant: **CET Limited**, Dromore, Co Down (GB)

(72) Inventor: **Robert Colin Edgar**, Dromore (GB)

(73) Assignee: **CET Limited**, Dromore, Co. Down (GB)

(\*\*) Term: **15 Years**

(21) Appl. No.: **29/588,479**

(22) Filed: **Dec. 21, 2016**

(30) **Foreign Application Priority Data**

Jun. 22, 2016 (EM) ..... 003234517-0001

(51) **LOC (11) Cl.** ..... **23-02**

(52) **U.S. Cl.**  
USPC ..... **D24/201**

(58) **Field of Classification Search**  
USPC ..... D24/201-205, 213; D23/276-278,  
D23/280.1-280.3, 280.4, 283; D25/2;  
(Continued)

(56) **References Cited**

**U.S. PATENT DOCUMENTS**

1,961,360 A \* 6/1934 Herndon, Jr. .... A47K 3/001  
206/14  
4,028,751 A \* 6/1977 Moran ..... A61G 7/1003  
4/565.1

(Continued)

**OTHER PUBLICATIONS**

Hudson Aquatic Systems Offers CET CryoSpas to US Market, posted at [ptproductsonline.com](http://ptproductsonline.com), posted on Jun. 26, 2017, © Physical Therapy Products, [online], [site visited Jul. 27, 2017]. Available from Internet, <URL:<http://www.ptproductsonline.com/2017/06/hudson-aquatic-systems-offers-cet-cryospas-us-market/>>.\*

(Continued)

*Primary Examiner* — Anhdao Doan

*Assistant Examiner* — Mary Malley

(74) *Attorney, Agent, or Firm* — Gardner Linn

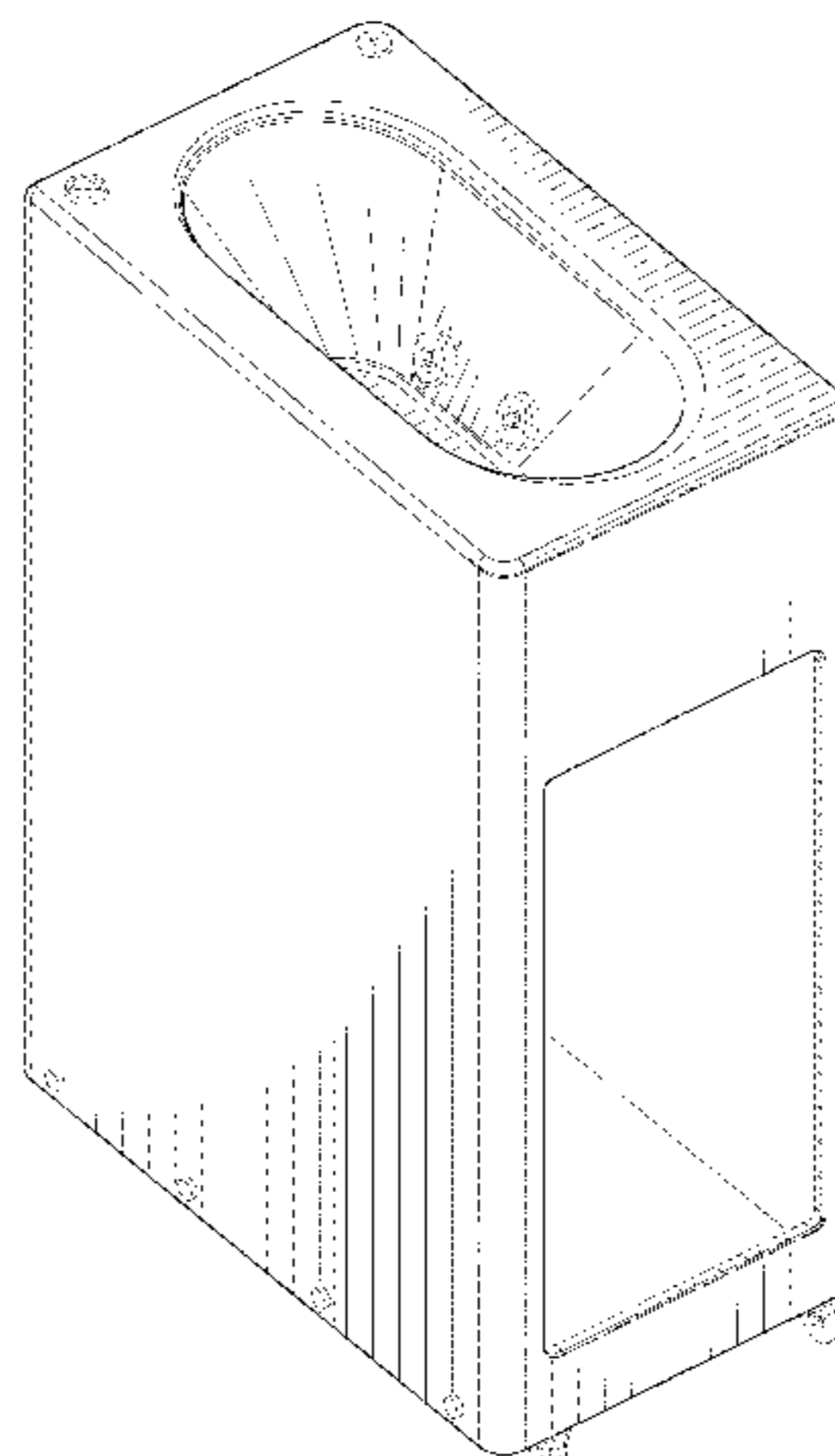
(57) **CLAIM**

The ornamental design for a spa, as shown and described.

**DESCRIPTION**

FIG. 1 is a front perspective view of a spa showing my new design, taken from above and to the side; FIG. 2 is a front elevation of the spa of FIG. 1; FIG. 3 is a rear elevation of the spa of FIG. 1; FIG. 4 is a right-side elevation of the spa of FIG. 1; FIG. 5 is a left-side elevation of the spa of FIG. 1; FIG. 6 is a top plan view of the spa of FIG. 1; FIG. 7 is a rear perspective view of the spa of FIG. 1, taken from above and to the side; FIG. 8 is a right-side sectional elevation of the interior of the spa taken in the direction of line 8-8 in FIG. 6; FIG. 9 is a left-side sectional elevation the interior of the spa taken in the direction of line 9-9 in FIG. 6; FIG. 10 is a front sectional elevation of the spa taken in the direction of line 10-10 in FIG. 6; FIG. 11 is a rear sectional elevation of the spa taken in the direction of line 11-11 in FIG. 6; FIG. 12 is a front perspective view of another spa showing my new design, taken from above and to the side; FIG. 13 is a front elevation of the spa of FIG. 12; FIG. 14 is a rear elevation of the spa of FIG. 12; FIG. 15 is a right-side elevation of the spa of FIG. 12; FIG. 16 is a left-side elevation of the spa of FIG. 12; FIG. 17 is a top plan view of the spa of FIG. 12; FIG. 18 is a rear perspective view of the spa of FIG. 12, taken from above and to the side; FIG. 19 is a right-side sectional elevation of the interior of the spa taken in the direction of line 19-19 in FIG. 17; FIG. 20 is a left-side sectional elevation the interior of the spa taken in the direction of line 20-20 in FIG. 17; FIG. 21 is a front sectional elevation of the spa taken in the direction of line 21-21 in FIG. 17; and, FIG. 22 is a rear sectional elevation of the spa taken in the direction of line 22-22 in FIG. 17.

(Continued)



The broken lines immediately adjacent to solid shaded areas form the boundaries of the claimed design; all other broken lines show portions of the spa that form no part of the claimed design.

The spa is shown with a symbolic break in length. The appearance of any portion of the article between the break lines forms no part of the claimed design.

**1 Claim, 18 Drawing Sheets**

(58) **Field of Classification Search**

USPC .... D28/56, 61; D6/334, 335, 336, 338, 367, D6/708.18, 709, 710, 716.1, 716.3, 716.4; 297/452.1, DIG. 7; 210/153, 167.06, 210/167.1; 4/541.6, 574.1, 580, 596, 601, 4/622; 5/12.1, 12.2; 601/54-158; 607/86; 219/433, 439; 422/41  
CPC .. A47C 1/02; A47C 1/024; A47C 1/04; A47C 1/06; A47C 7/18; A47C 7/24; A47C 17/00; A47C 17/02; A47C 17/175; A47K 3/02; A47K 3/022; A47K 3/062; A61H 33/6005; A61H 33/6021; A61H 33/6089; A61H 33/6094; A61H 2035/004; A61H 35/006; A61H 35/00; A61D 11/00; A61F 7/0085

See application file for complete search history.

(56) **References Cited**

U.S. PATENT DOCUMENTS

D270,561 S \* 9/1983 Brossier ..... D23/277  
5,009,059 A \* 4/1991 Cocciadiferro ..... A47K 3/02  
53/462

5,037,363 A \* 8/1991 Cocciadiferro ..... A47K 3/001  
493/1  
D335,352 S 5/1993 Ristine, III  
D365,385 S 12/1995 Hunger et al.  
D376,432 S 12/1996 Bartlett et al.  
D377,531 S 1/1997 Bartlett et al.  
5,857,467 A \* 1/1999 Faries, Jr. .... A61B 46/40  
128/849  
6,148,450 A 11/2000 Nicholas  
D444,881 S 7/2001 Jensen et al.  
D446,310 S 8/2001 Bower  
D455,497 S 4/2002 Jensen et al.  
6,371,121 B1 \* 4/2002 Faries, Jr. .... A61F 7/0241  
128/849  
6,675,403 B2 1/2004 Akhtar et al.  
D499,467 S \* 12/2004 Aubry ..... D23/280.1  
6,939,366 B2 9/2005 Brown, Jr.  
D528,661 S 9/2006 Loyd  
D567,956 S 4/2008 Gay  
D617,466 S 6/2010 Edgar  
7,959,860 B2 \* 6/2011 Faries, Jr. .... A61F 7/0085  
128/849  
8,148,666 B2 \* 4/2012 Faries, Jr. .... A61F 7/0085  
219/429  
D782,631 S \* 3/2017 Schachter ..... D23/277  
2012/0029400 A1 \* 2/2012 Moretto ..... A61H 23/0263  
601/55  
2014/0150174 A1 \* 6/2014 Erickson ..... A47K 3/001  
4/580

OTHER PUBLICATIONS

Product website entitled “Vivomed Plastic Ice Bath”, published more than one year before the priority date of the present application.

\* cited by examiner

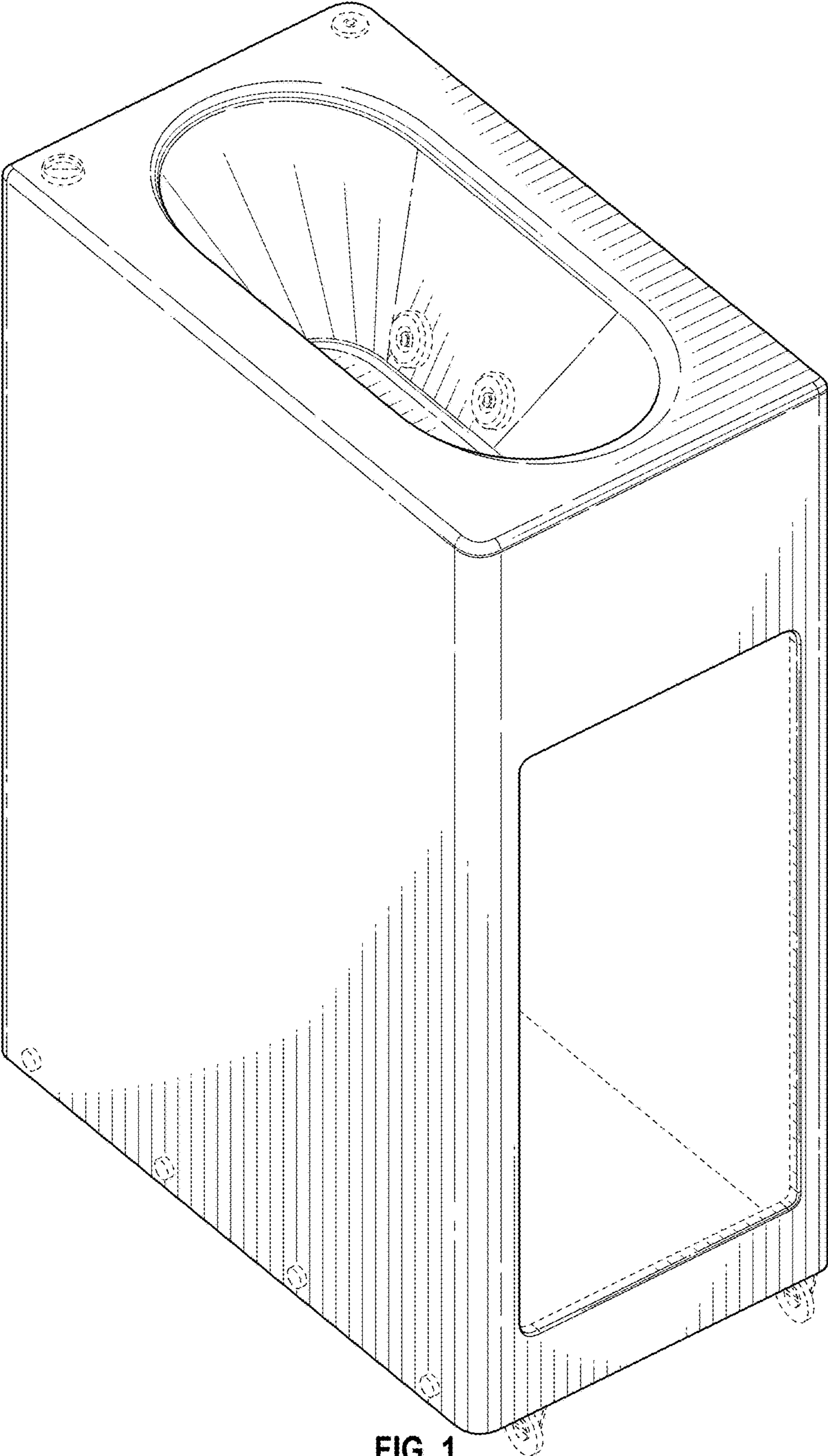


FIG. 1

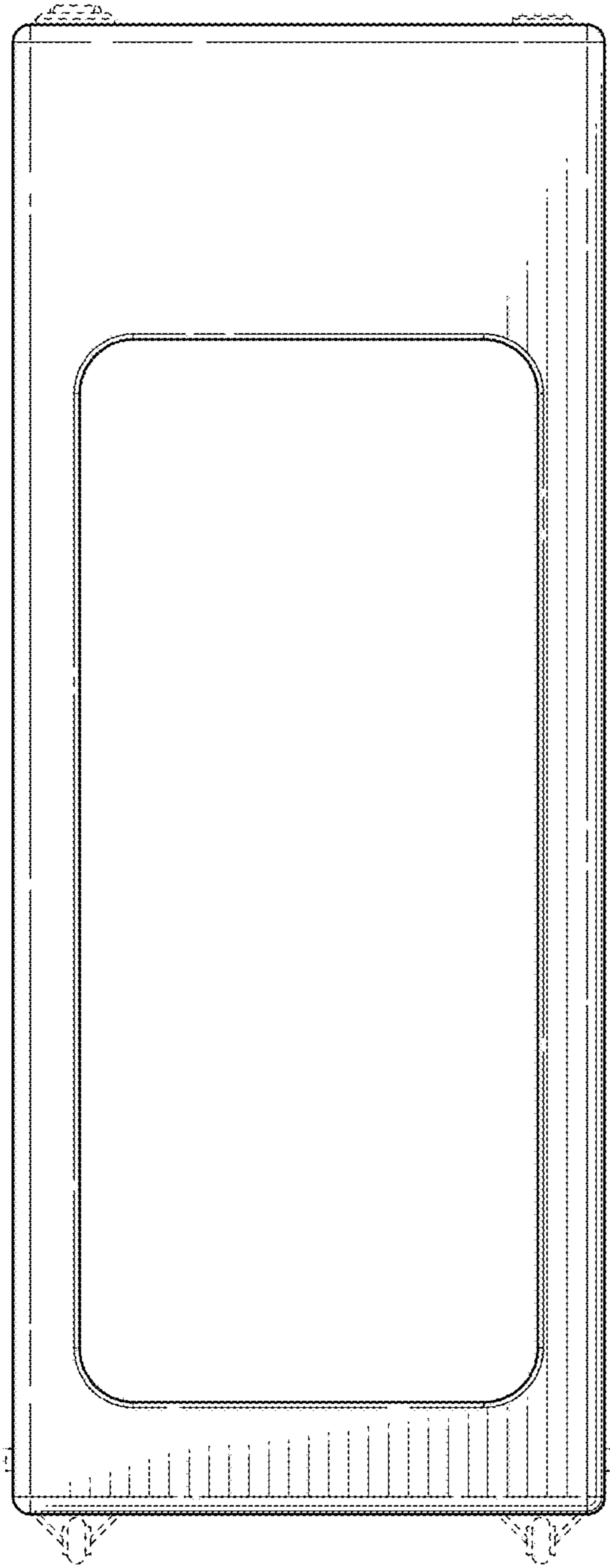


FIG. 2

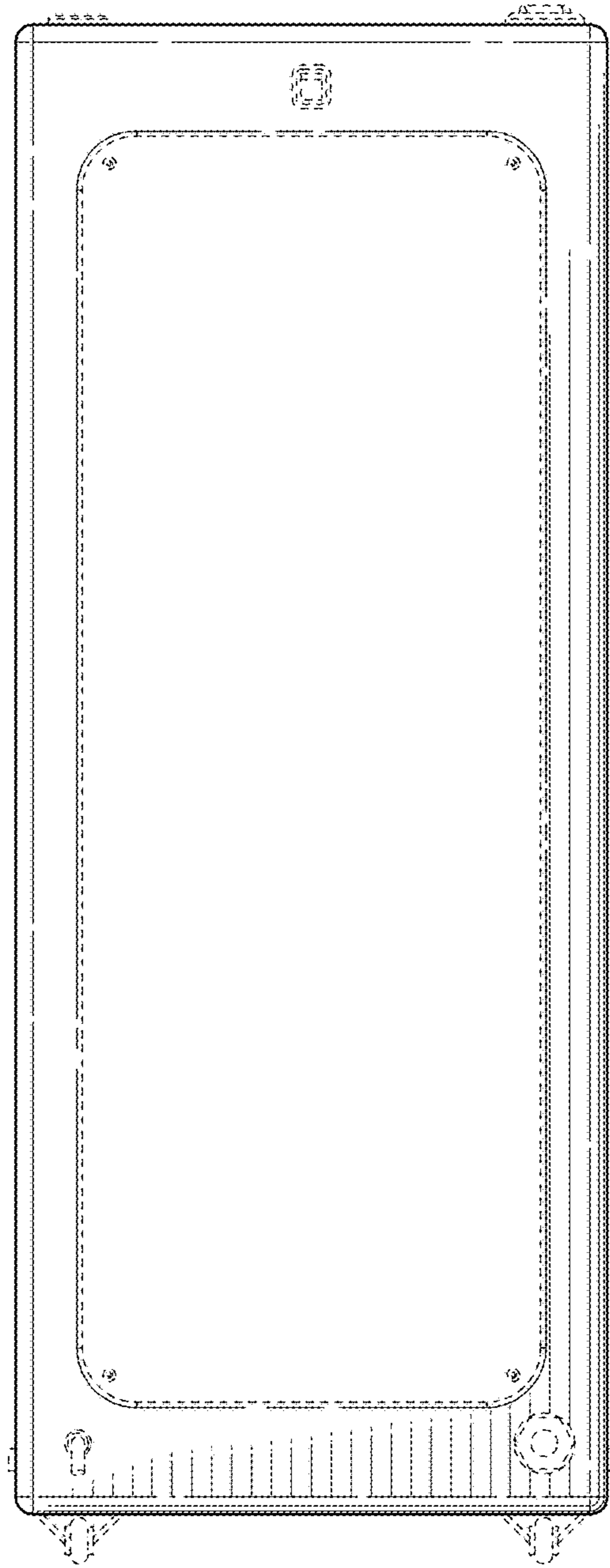


FIG. 3

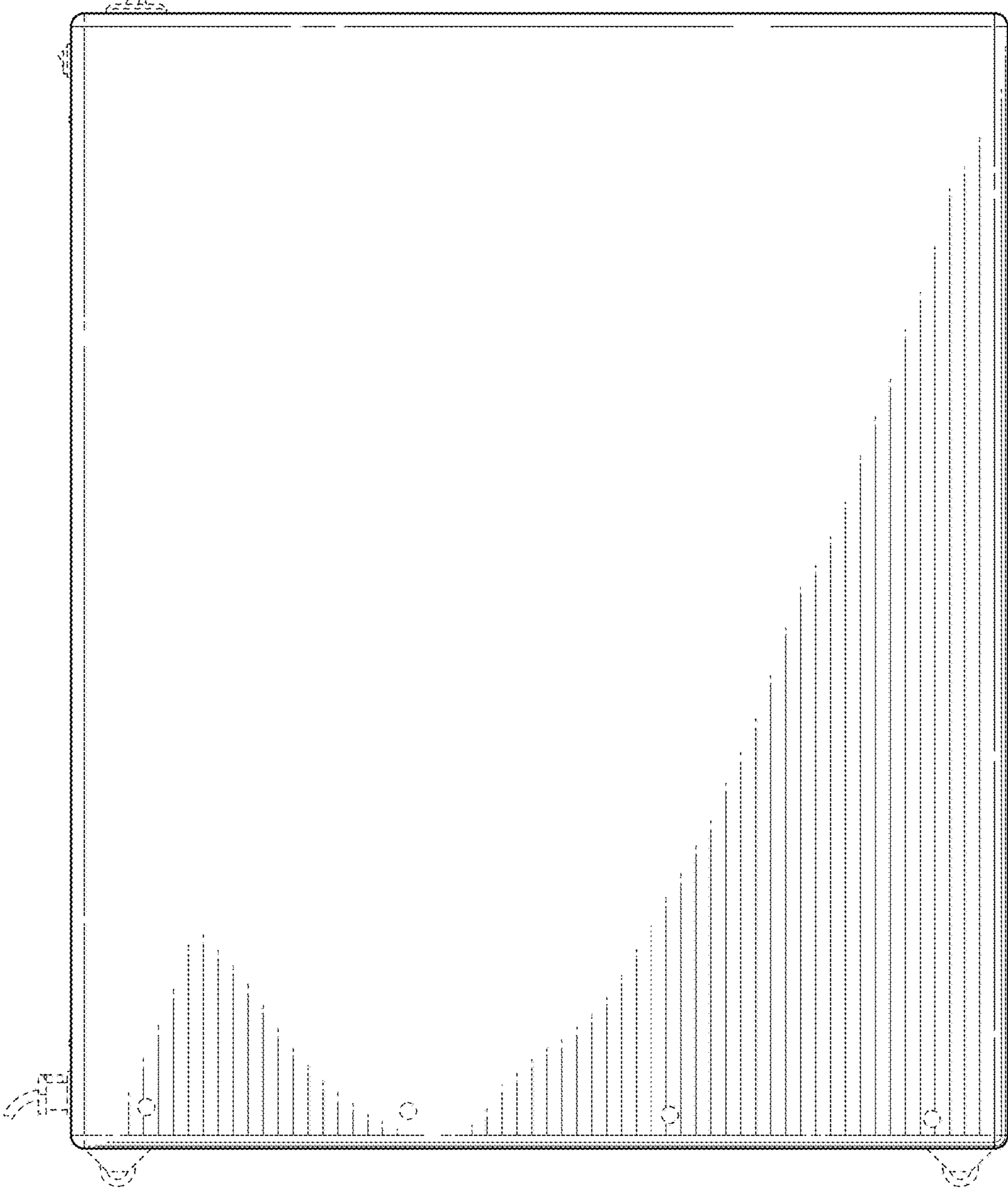


FIG. 4



FIG. 5

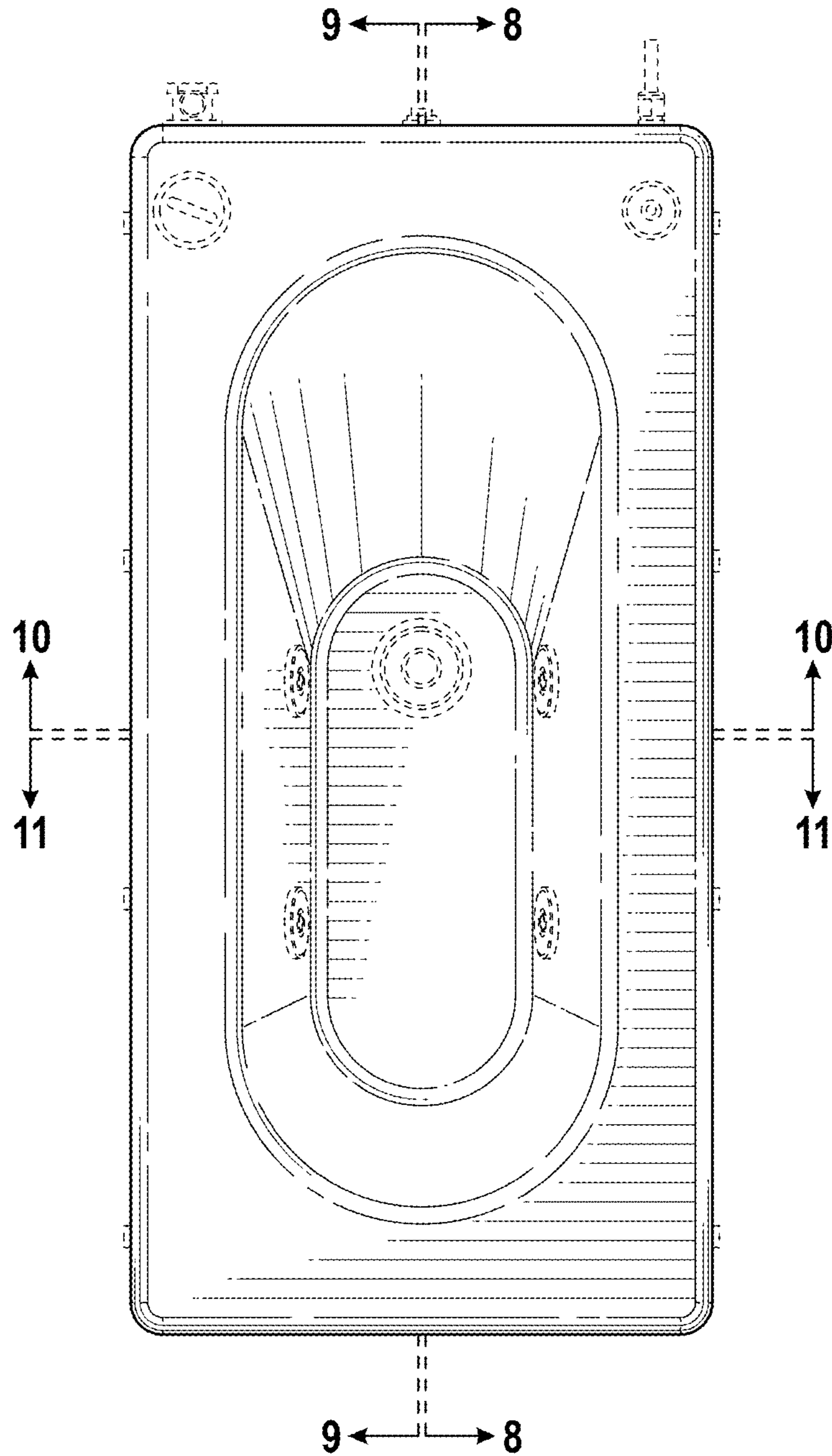


FIG. 6

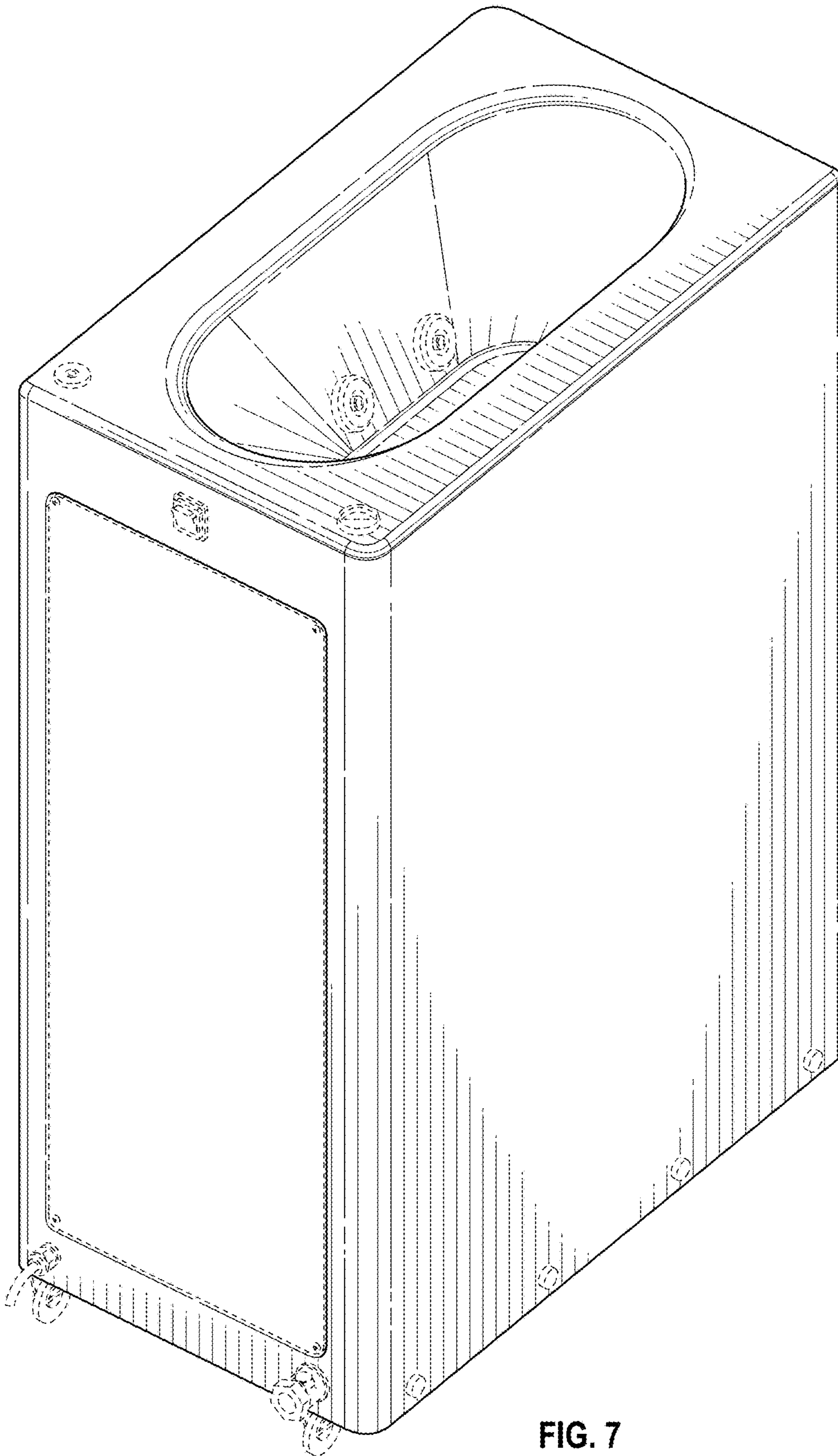


FIG. 7



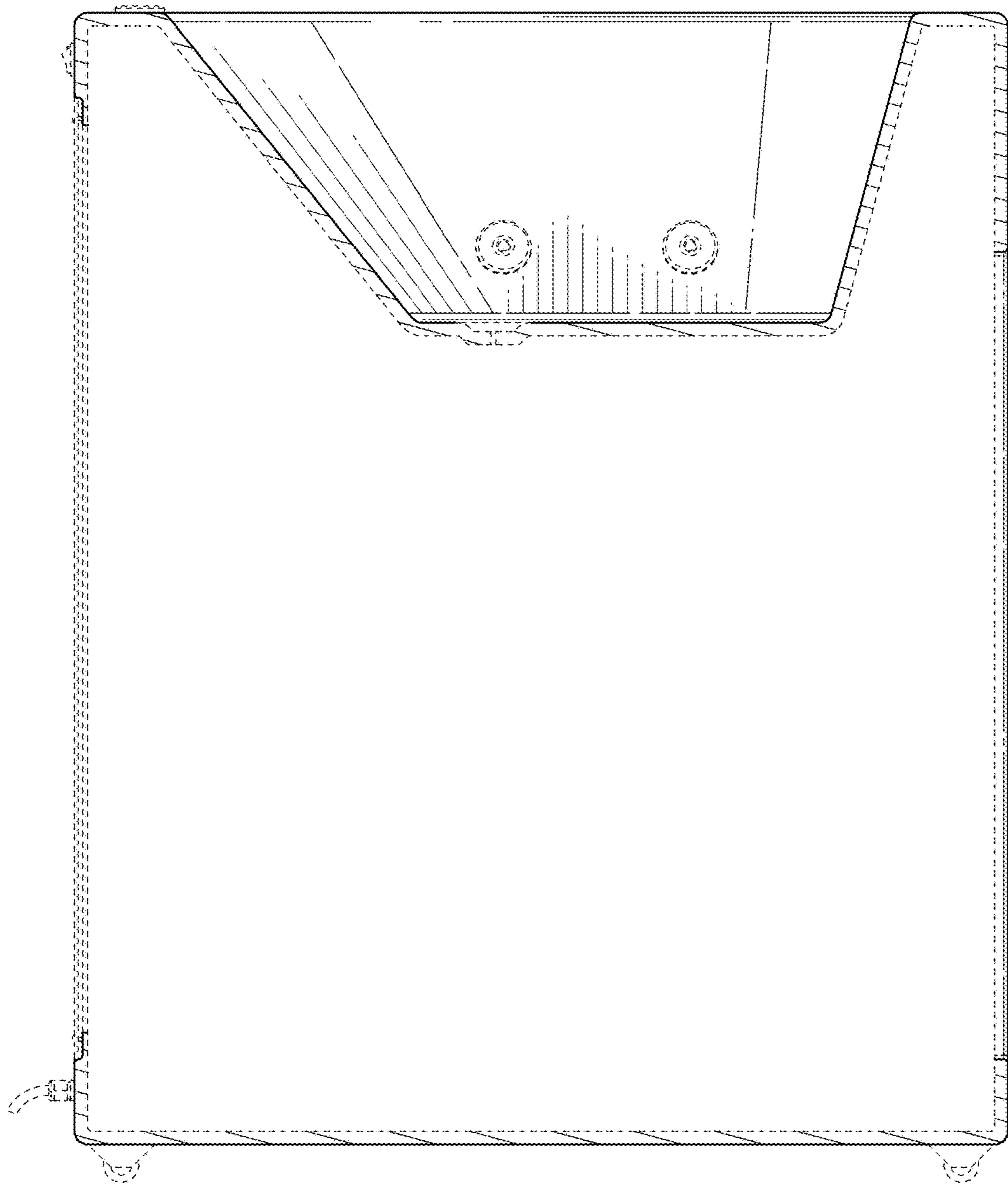


FIG. 8

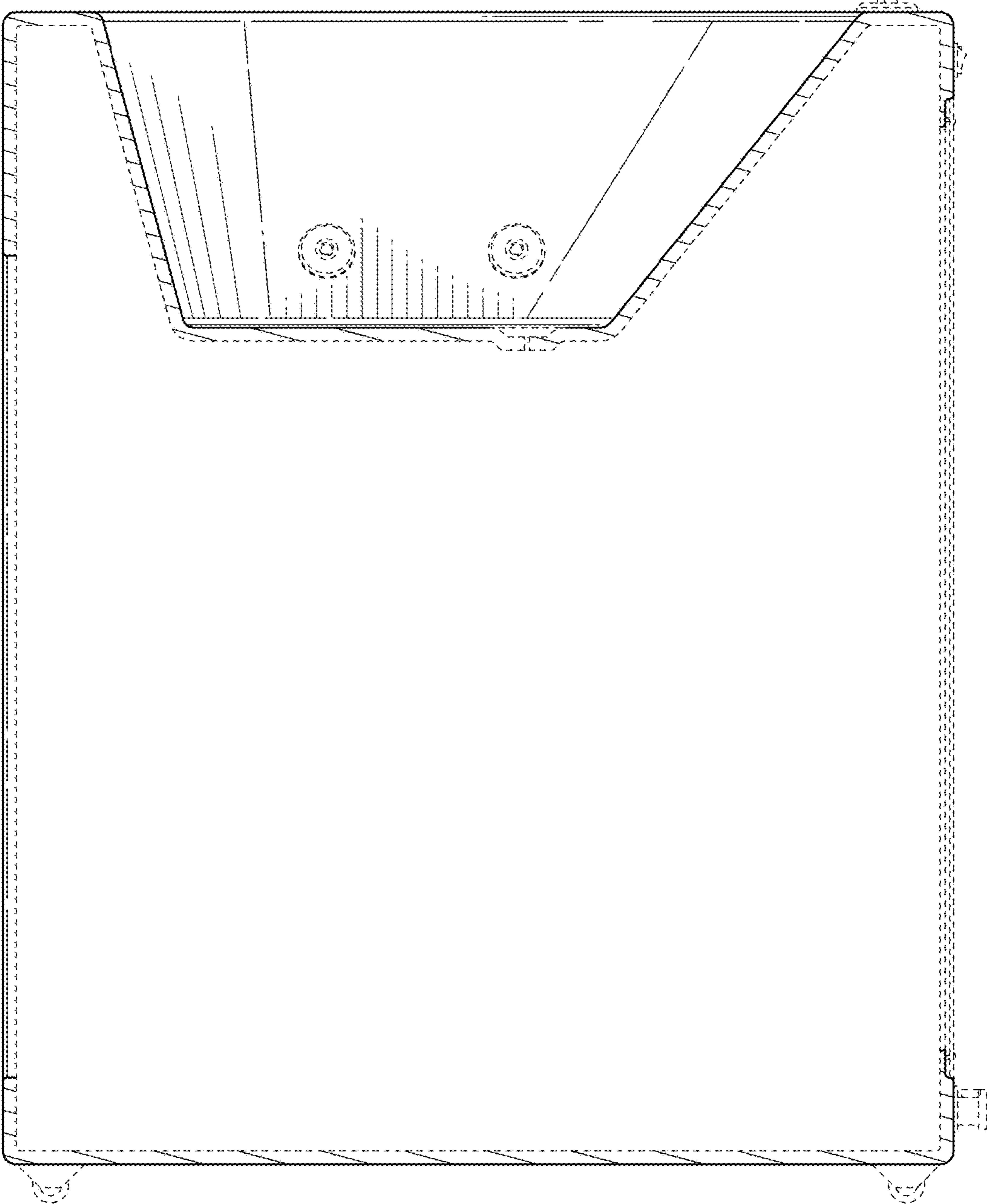


FIG. 9

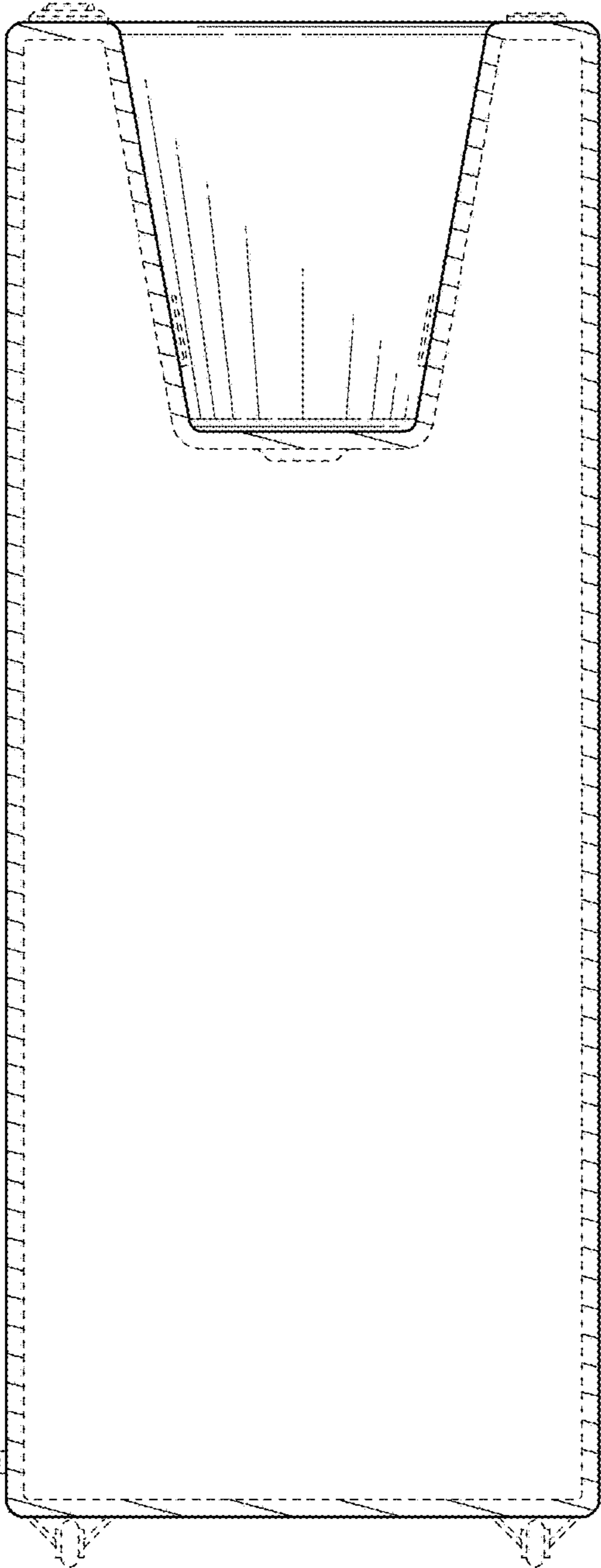


FIG. 10

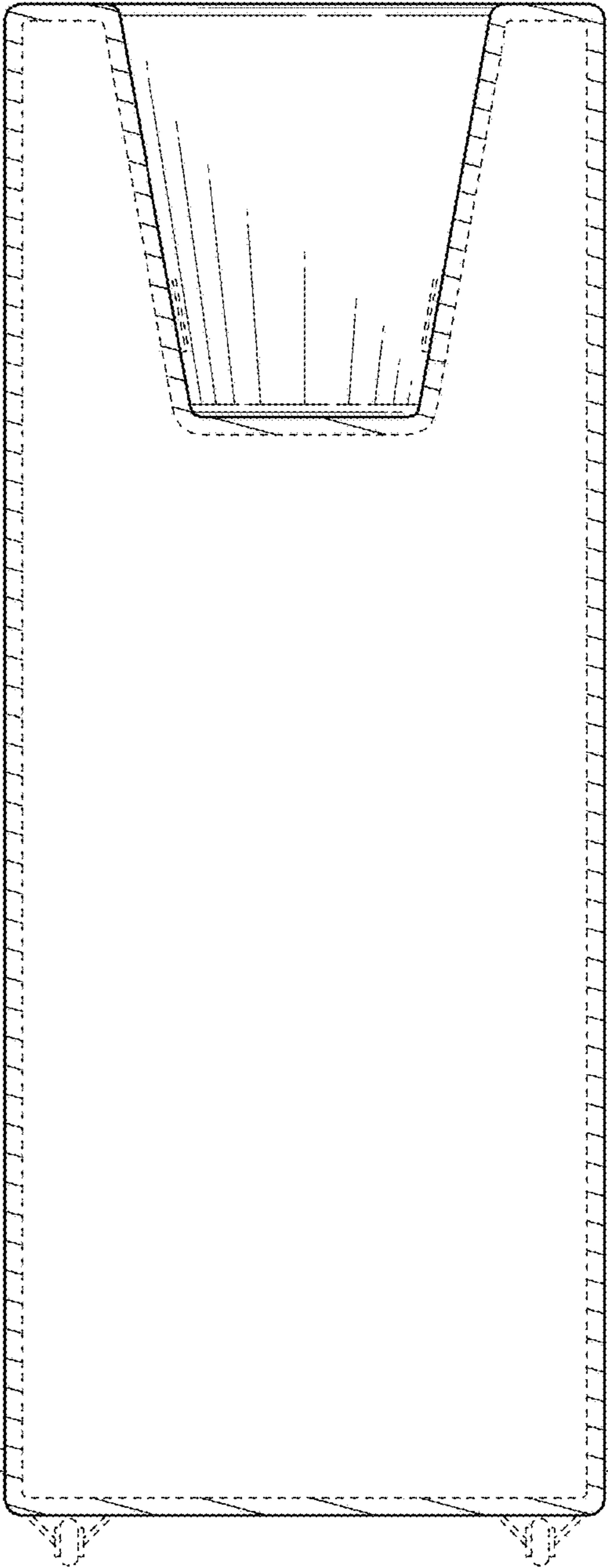


FIG. 11

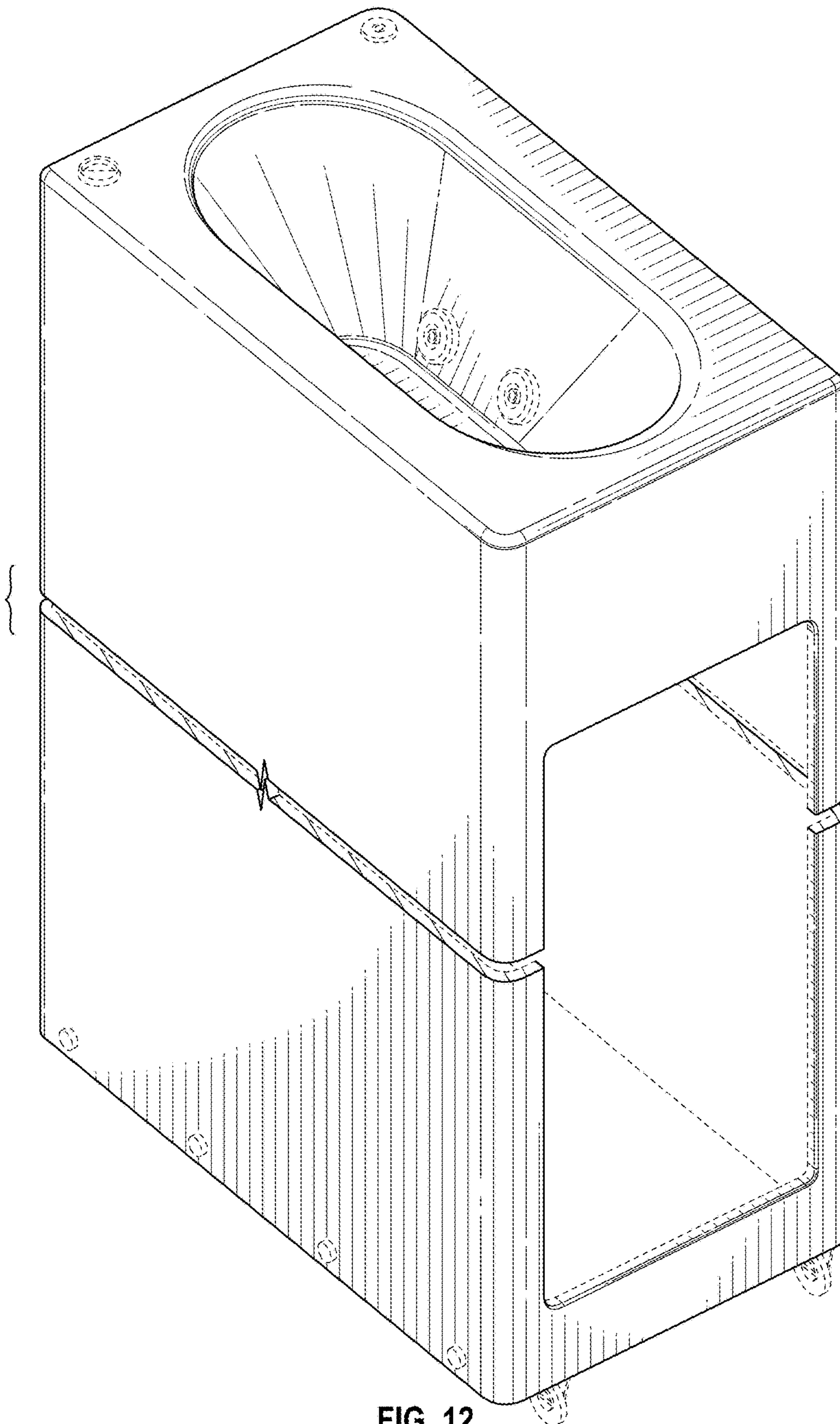


FIG. 12

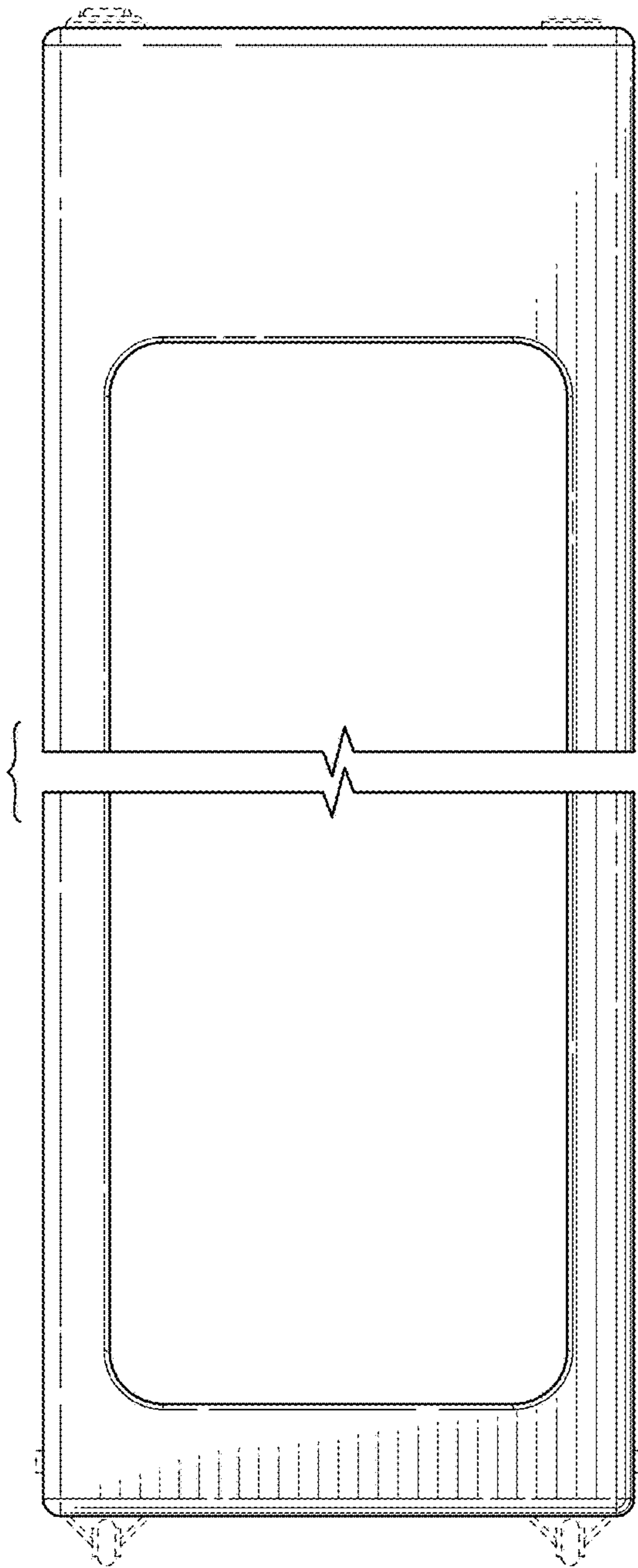


FIG. 13

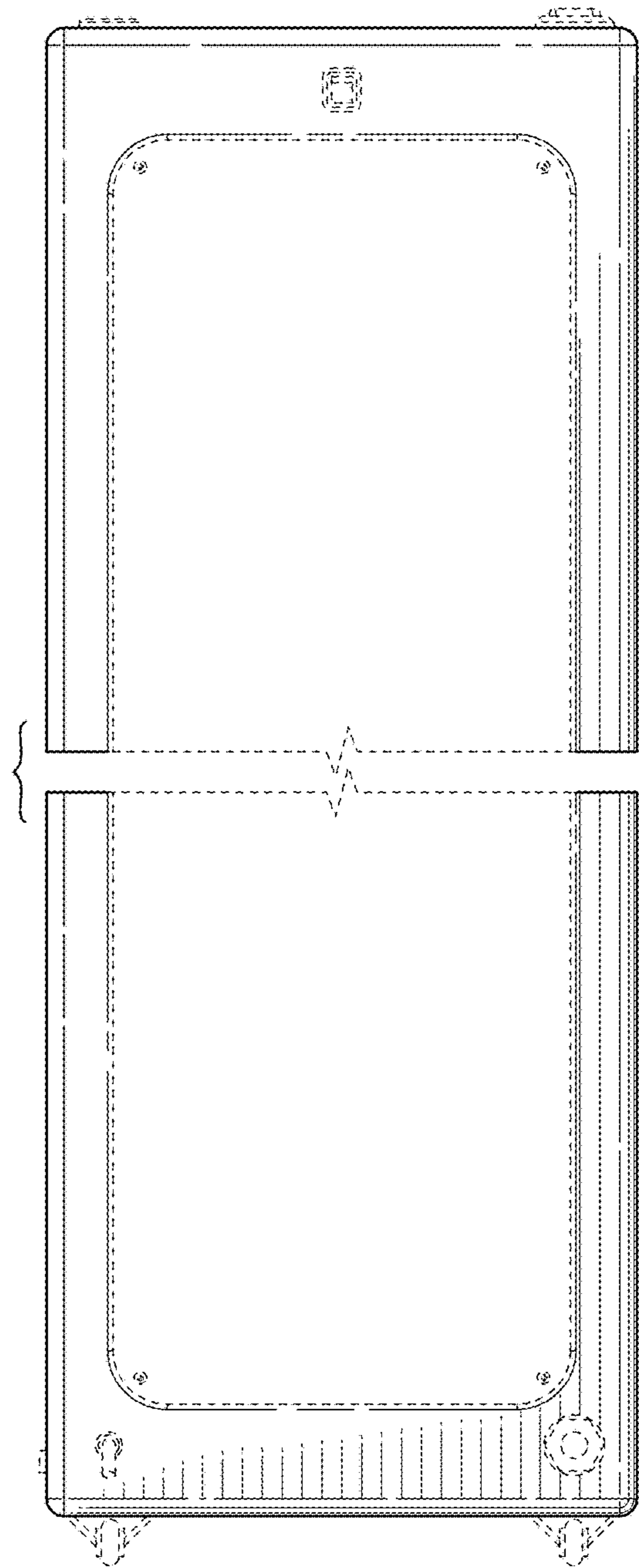


FIG. 14

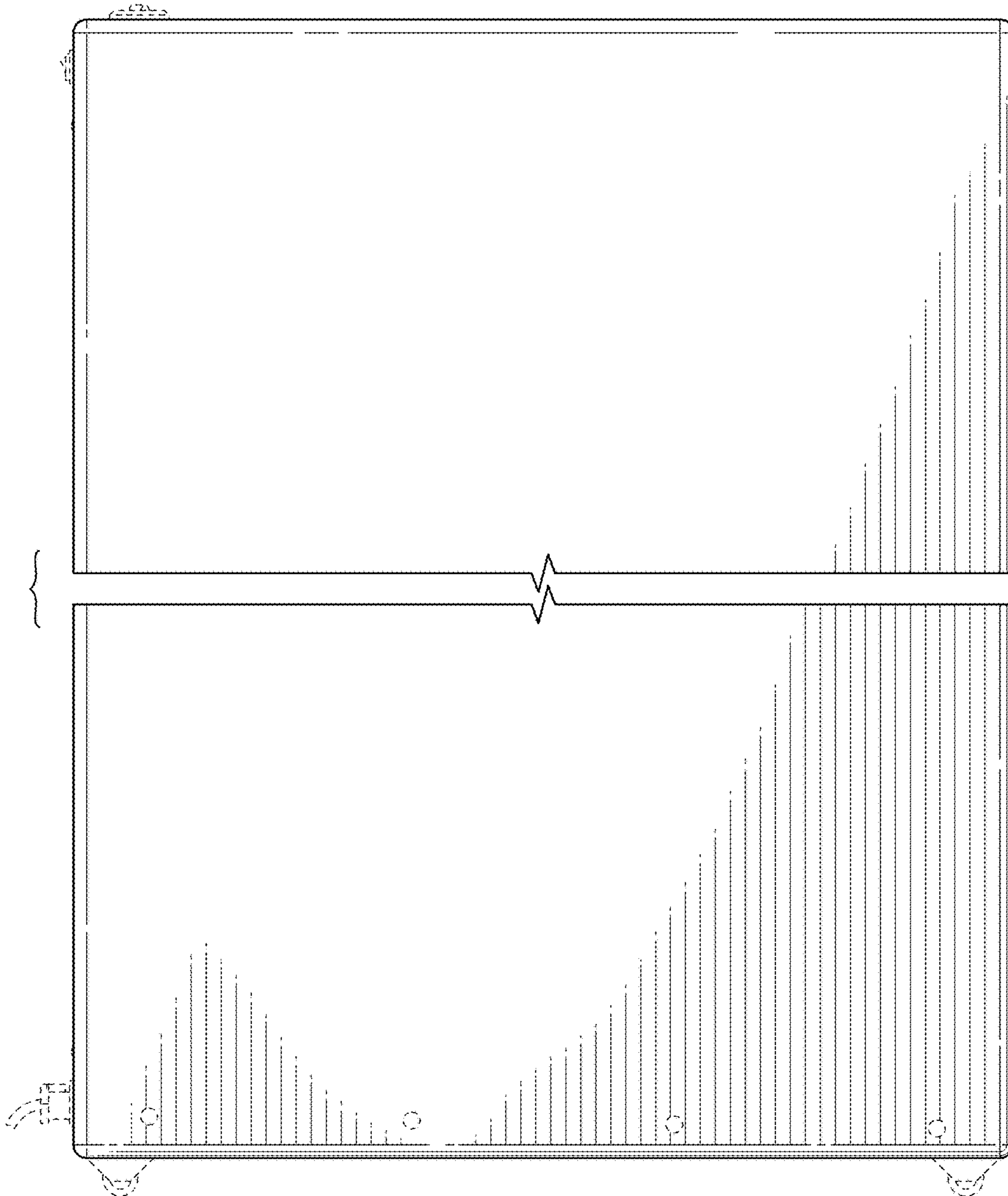


FIG. 15

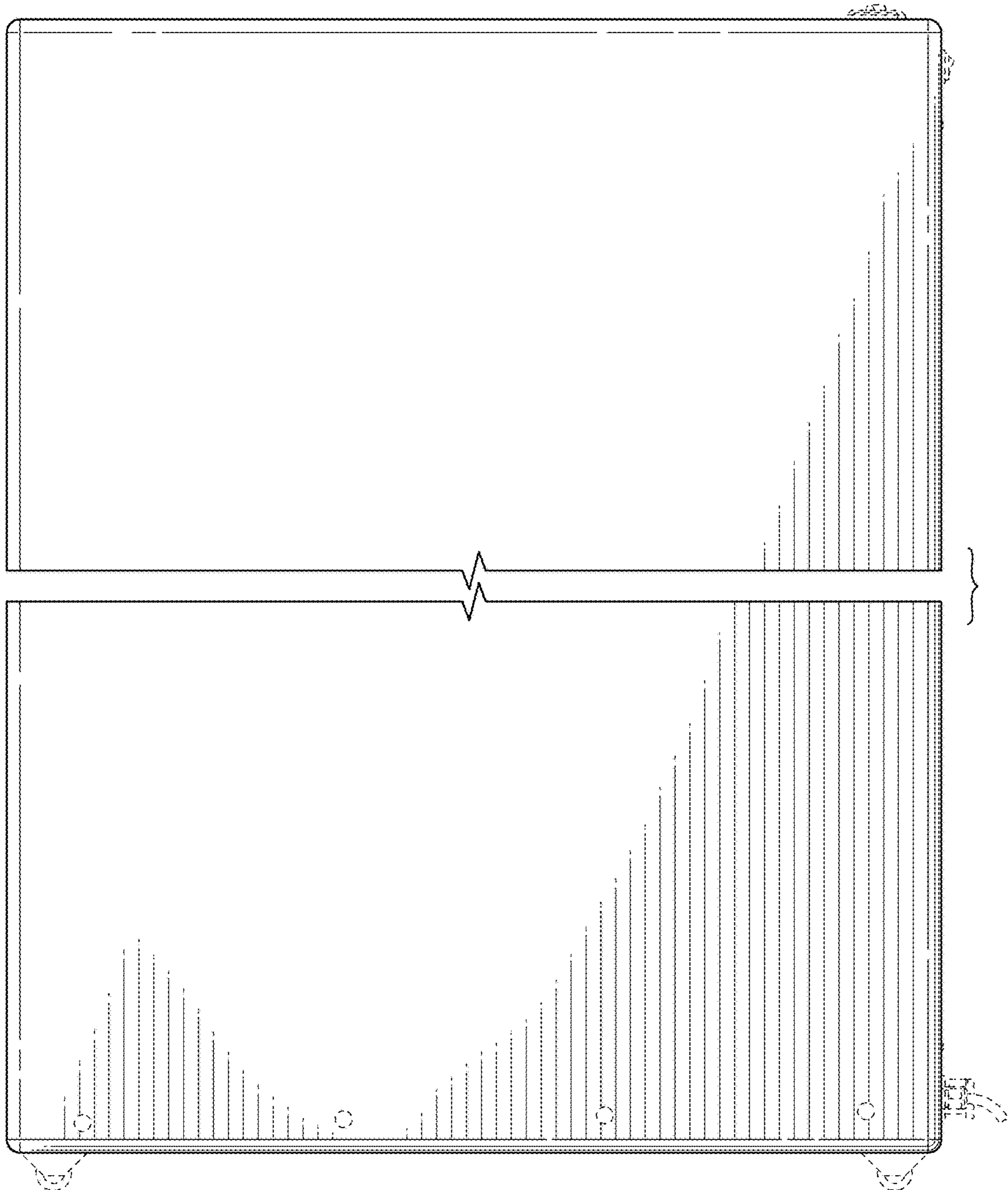


FIG. 16

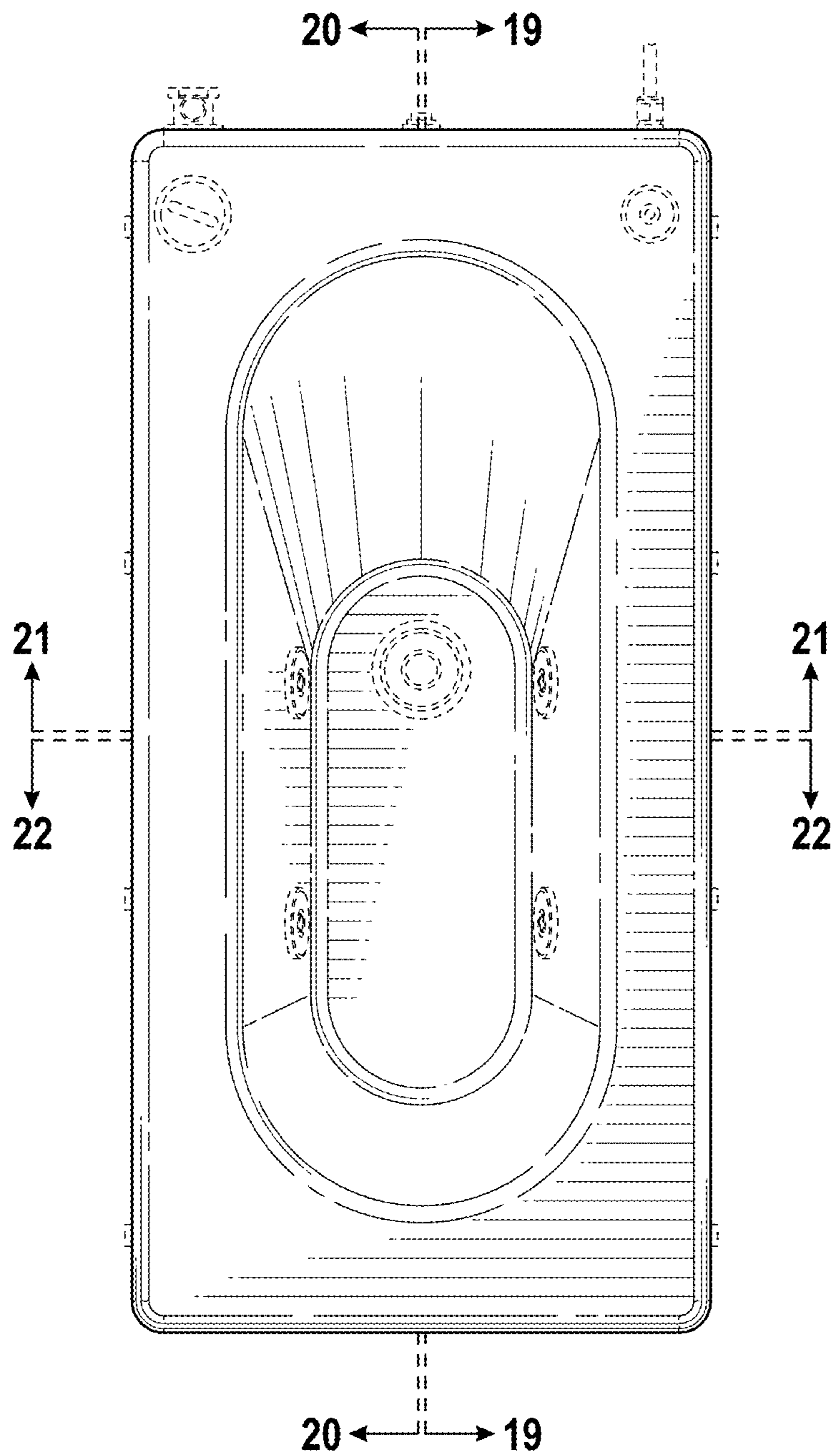


FIG. 17



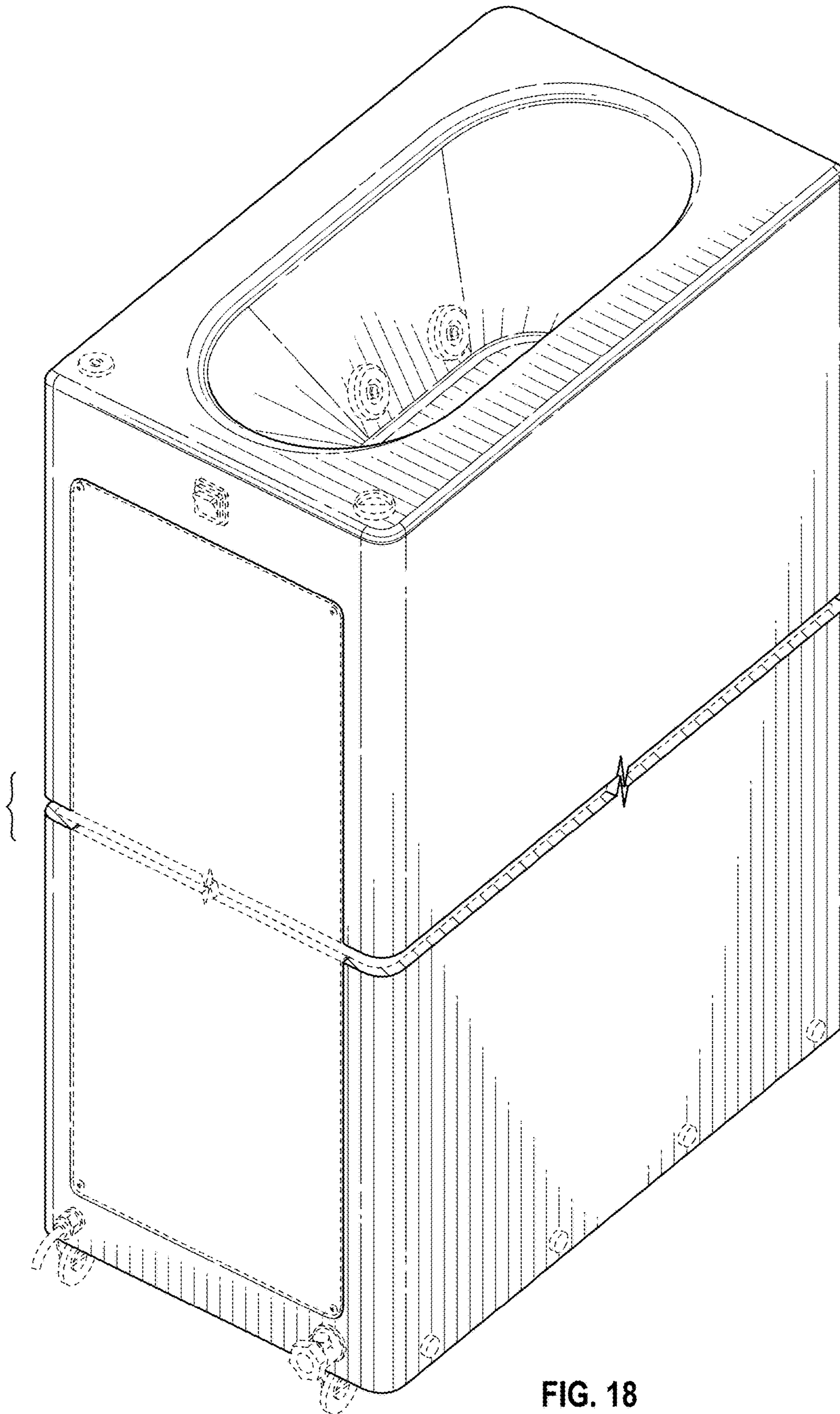


FIG. 18

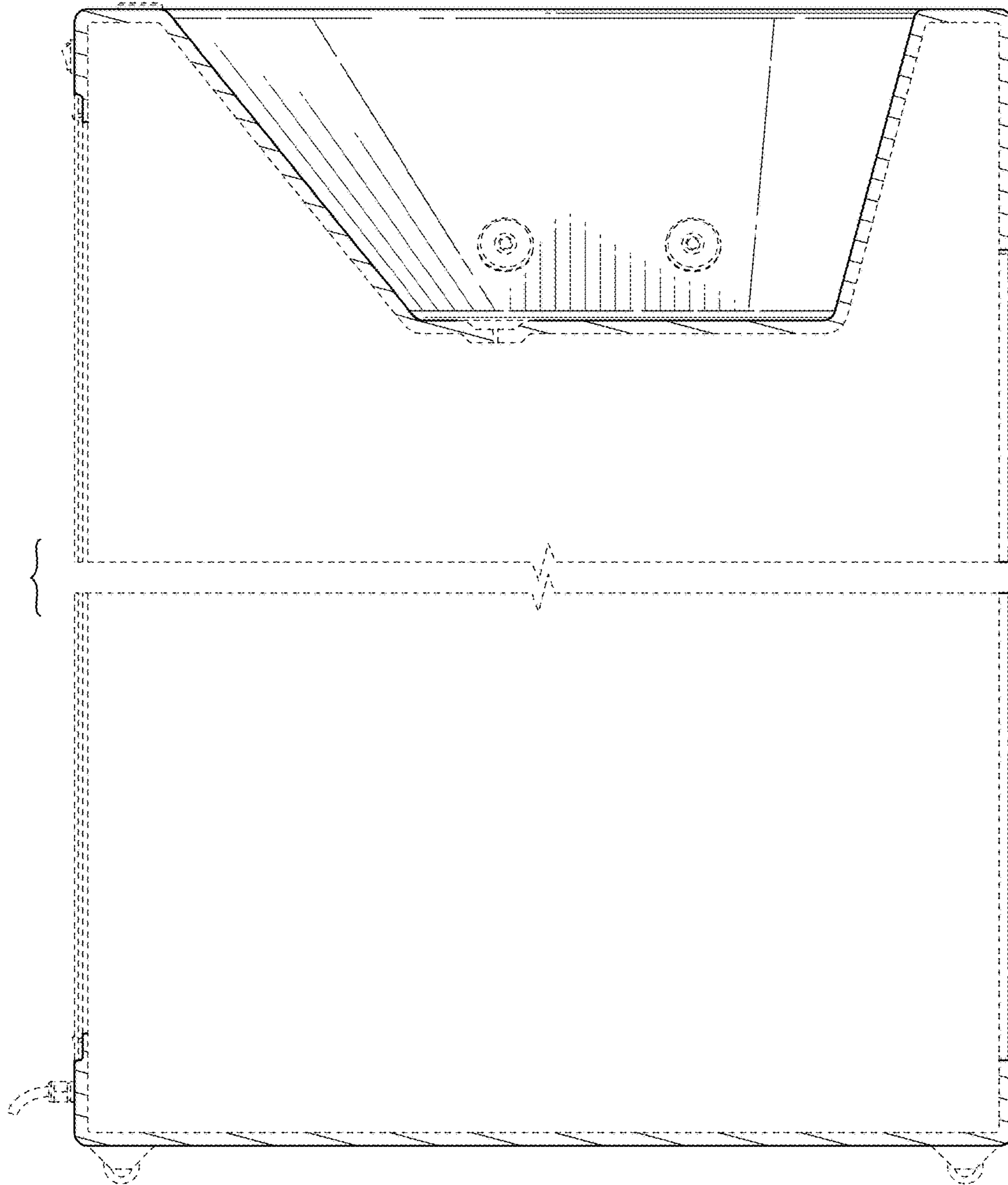


FIG. 19

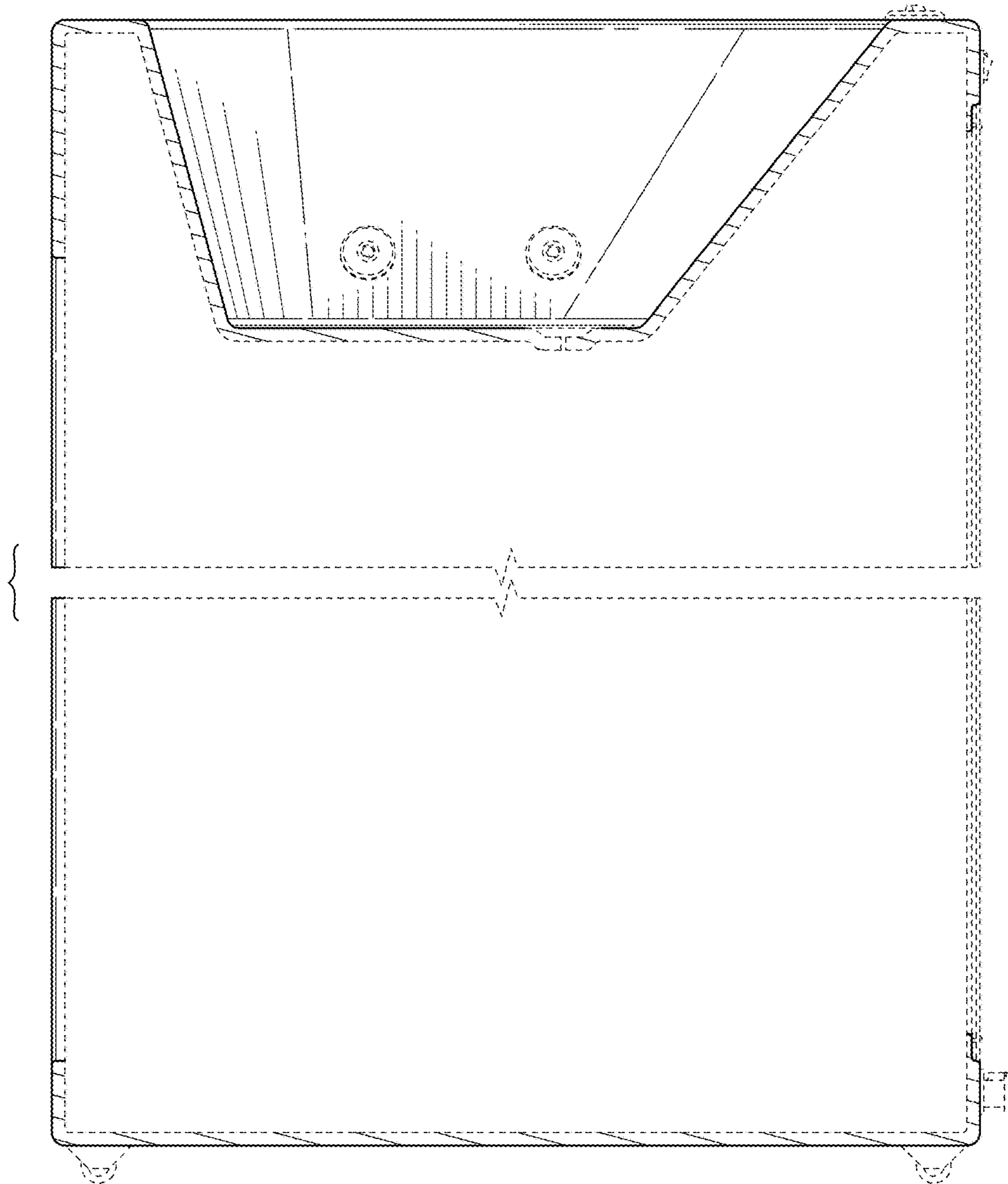


FIG. 20

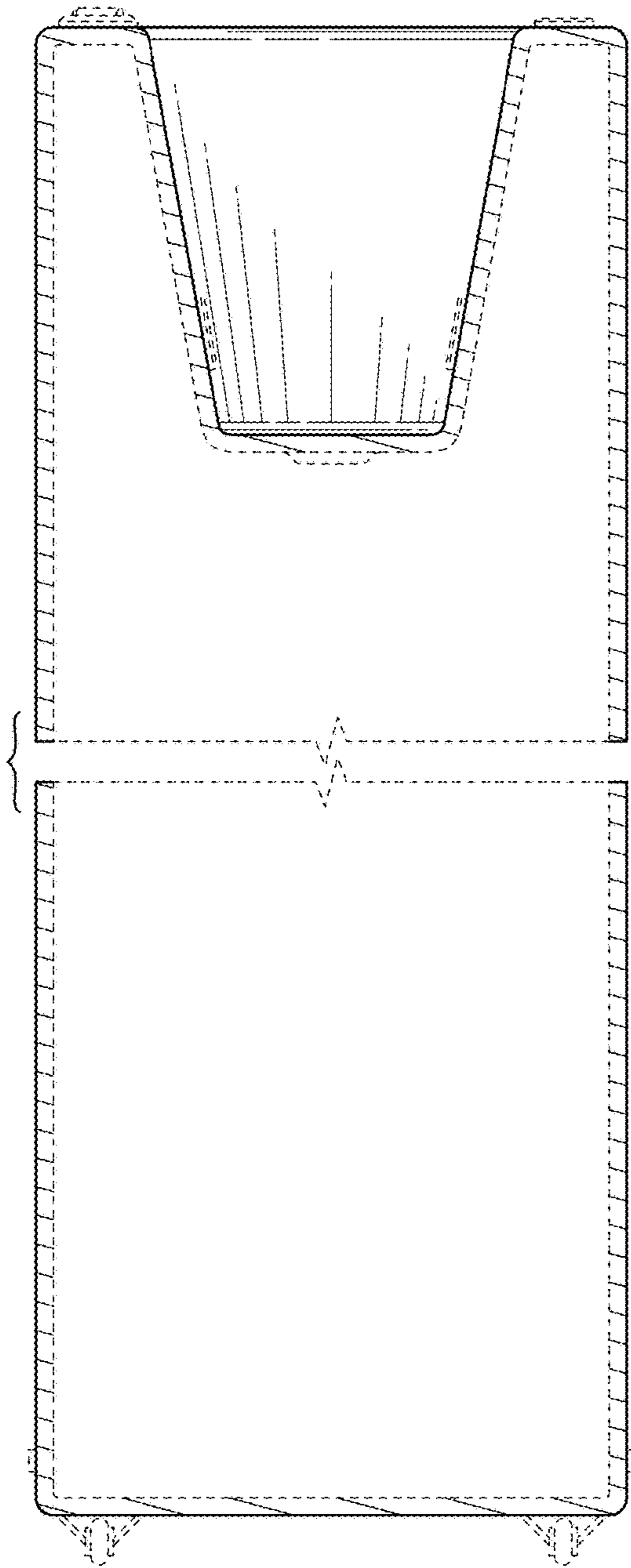


FIG. 21

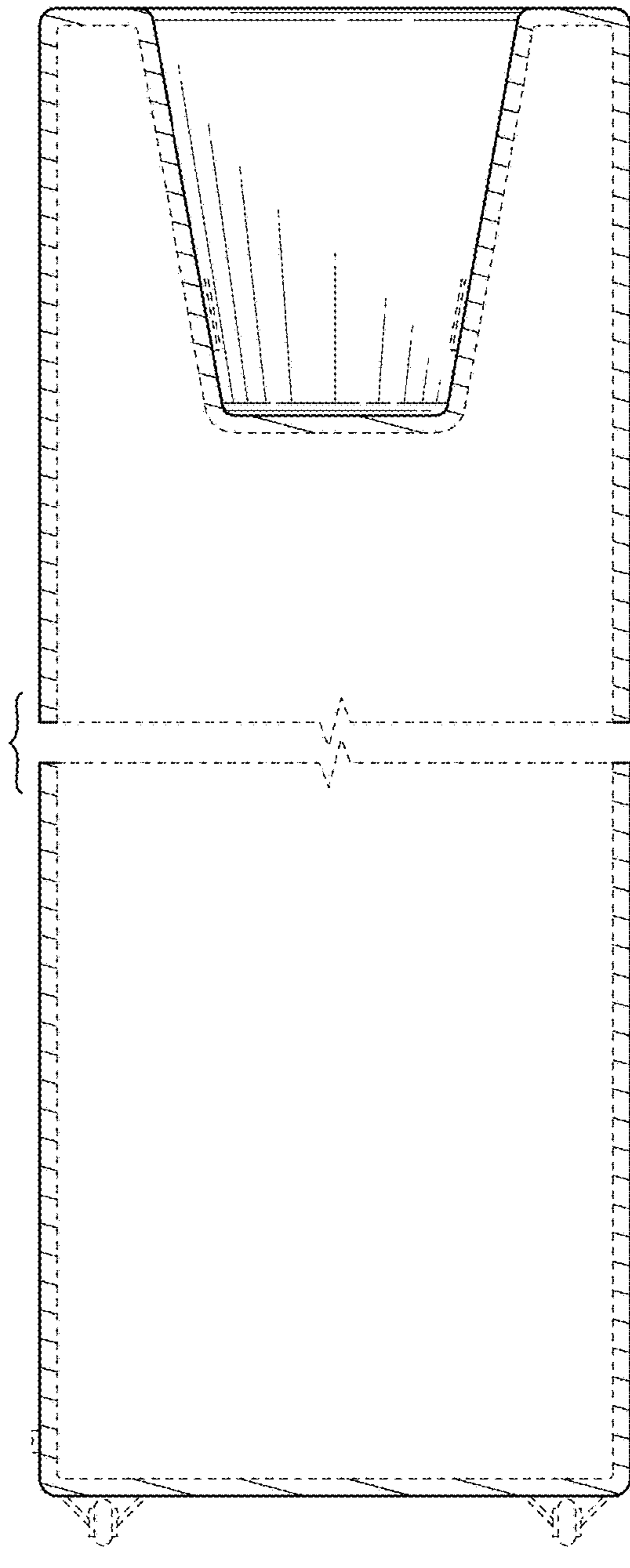


FIG. 22