



US00D816855S

(12) **United States Design Patent**  
**Neseem**

(10) **Patent No.:** **US D816,855 S**

(45) **Date of Patent:** **\*\* May 1, 2018**

(54) **ARM BRACE WITH ABDUCTOR PILLOW**

(71) Applicant: **Kahkashan Neseem**, Arlington, VA  
(US)

(72) Inventor: **Kahkashan Neseem**, Arlington, VA  
(US)

(\*\*) Term: **15 Years**

(21) Appl. No.: **29/599,617**

(22) Filed: **Apr. 5, 2017**

(51) **LOC (11) Cl.** ..... **24-03**

(52) **U.S. Cl.**  
USPC ..... **D24/190**

(58) **Field of Classification Search**  
USPC ..... D24/189, 190, 184, 188; D6/601  
CPC ..... A61F 5/00; A61F 5/37; A61F 5/3738  
See application file for complete search history.

(56) **References Cited**

**U.S. PATENT DOCUMENTS**

D341,053 S *	11/1993	Hassel	.....	D24/190
D358,957 S *	6/1995	Propp	.....	D6/601
D362,072 S *	9/1995	Sternberg	.....	D24/190
D378,615 S *	3/1997	Neviaser	.....	D24/190
D598,106 S *	8/2009	Goumas	.....	D24/184
D659,252 S *	5/2012	Batiste	.....	D24/190
8,273,041 B2 *	9/2012	Goumas	.....	A61F 5/3738 128/845
D680,654 S *	4/2013	Borrelli	.....	D24/188
D698,030 S *	1/2014	Crisco	.....	D24/183

D708,752 S *	7/2014	Oberst	.....	D24/190
D719,661 S *	12/2014	Guccione	.....	D24/190
D728,799 S *	5/2015	Ravikumar	.....	D24/184
D733,897 S *	7/2015	Rossouw	.....	D24/184
D777,936 S *	1/2017	Neseem	.....	D24/190
D781,429 S *	3/2017	Westdyk	.....	D24/183
D793,783 S *	8/2017	Newhouse	.....	D6/696.1
D799,052 S *	10/2017	Rossouw	.....	D24/190

\* cited by examiner

*Primary Examiner* — Charles Hanson

(74) *Attorney, Agent, or Firm* — Maier & Maier, PLLC

(57) **CLAIM**

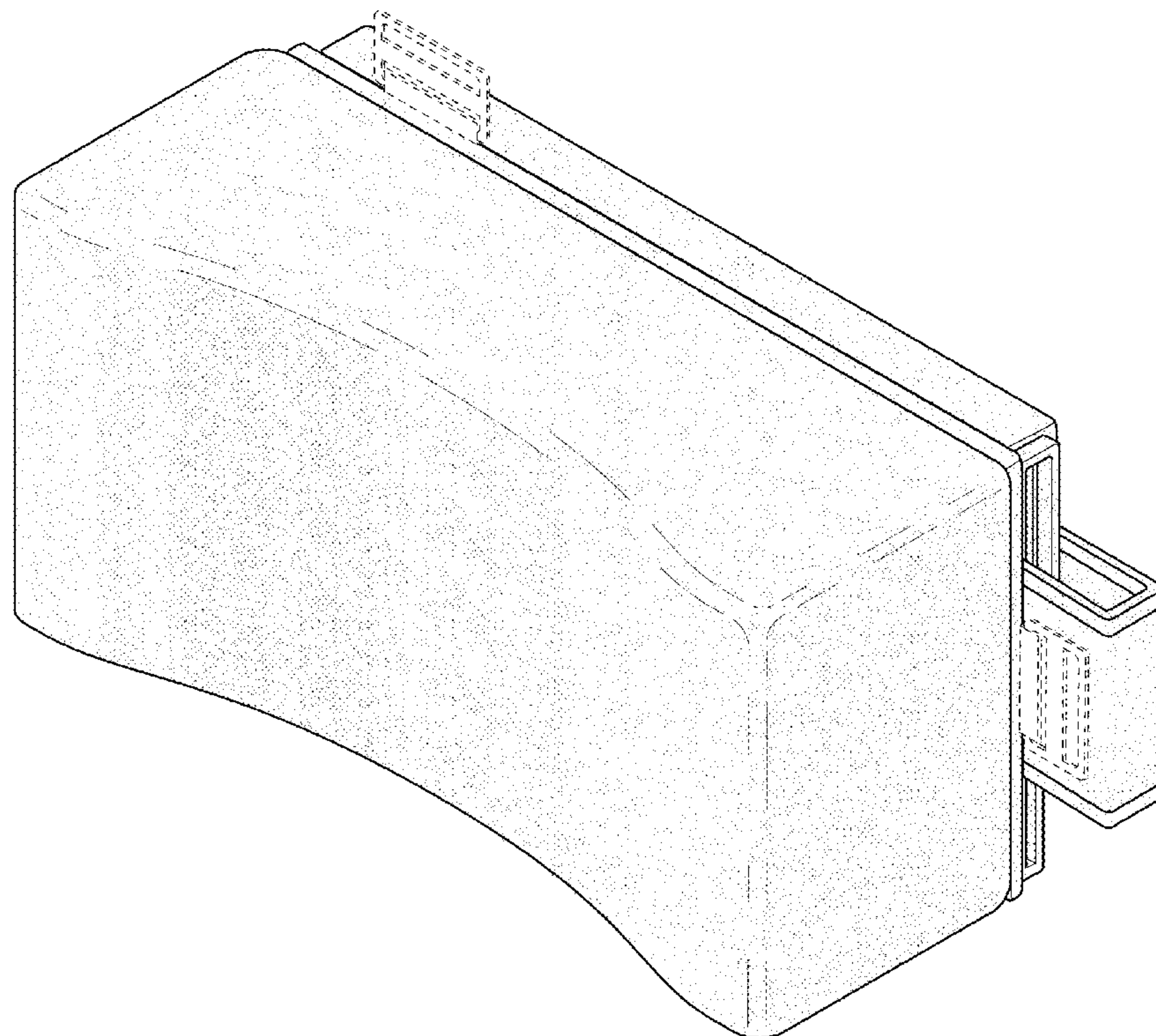
The ornamental design for an arm brace with abductor pillow, as shown and described.

**DESCRIPTION**

FIG. 1 is a top-rear-left isometric view of an arm brace with abductor pillow, showing my design;  
FIG. 2 is a top plan view thereof;  
FIG. 3 is a bottom plan view;  
FIG. 4 is a left side elevational view thereof;  
FIG. 5 is a right side elevational view thereof;  
FIG. 6 is a rear elevational view thereof; and,  
FIG. 7 is a front elevational view thereof.

The broken line showing in the Figures shows portions of the arm brace with abductor pillow and forms no part of the claimed design. The break lines in the strap of the arm brace with abductor pillow shown in the Figures indicate indeterminate length.

**1 Claim, 5 Drawing Sheets**



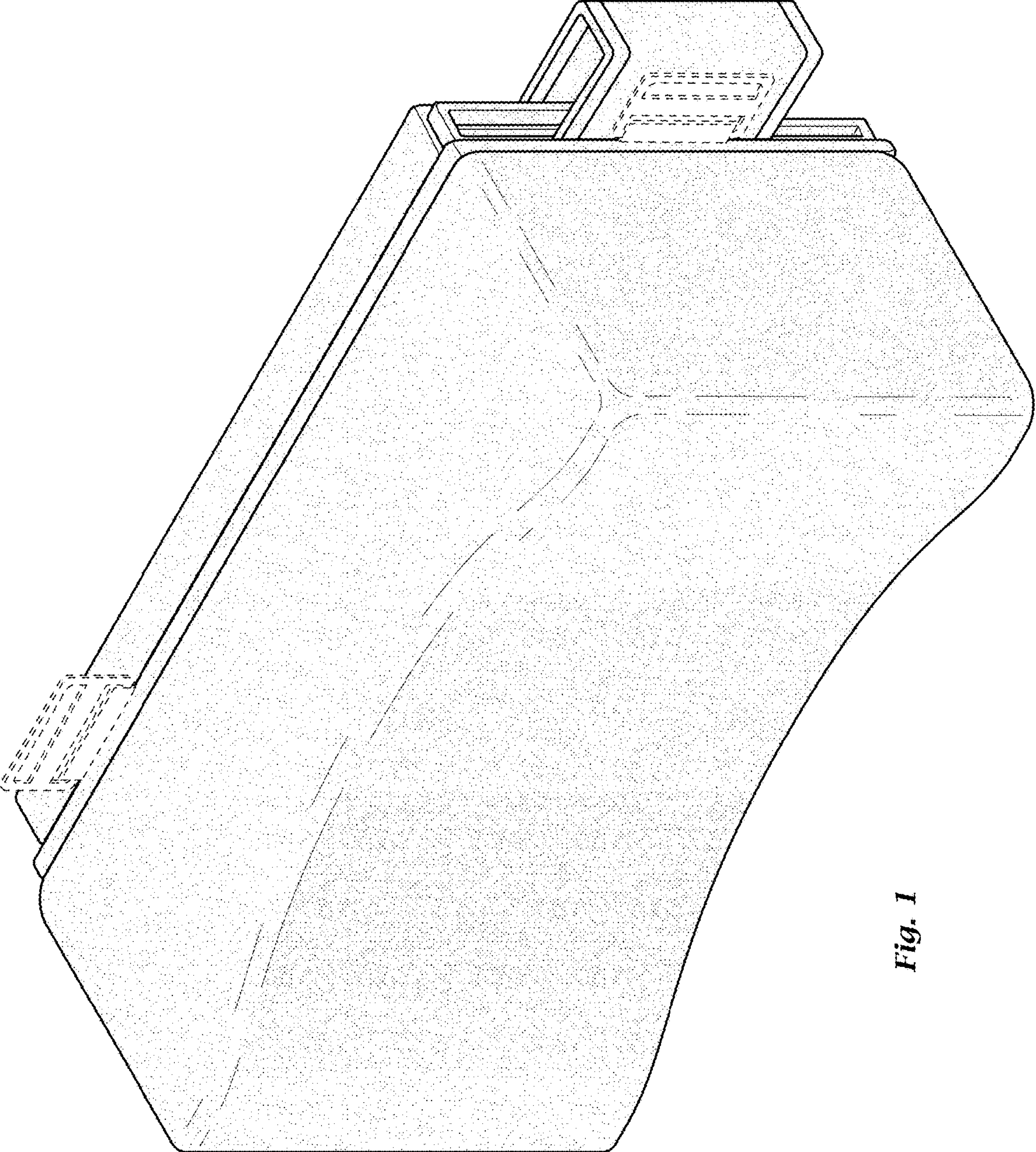


Fig. 1



Fig. 2

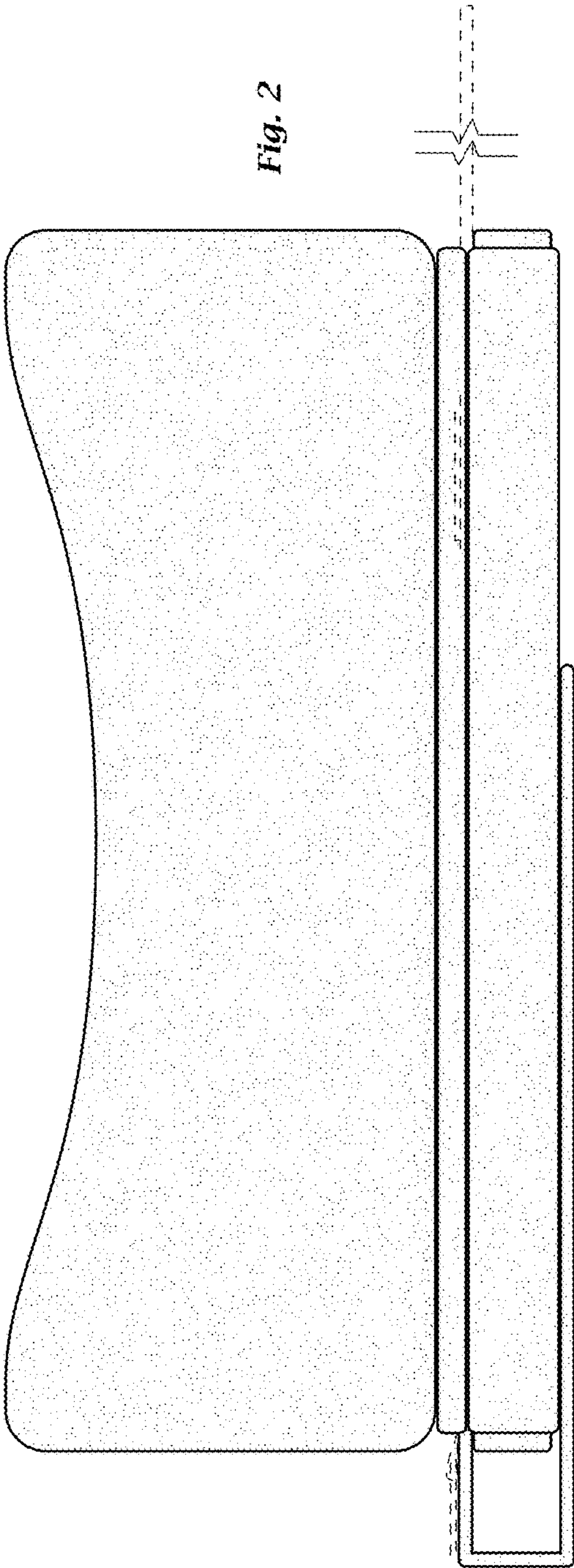
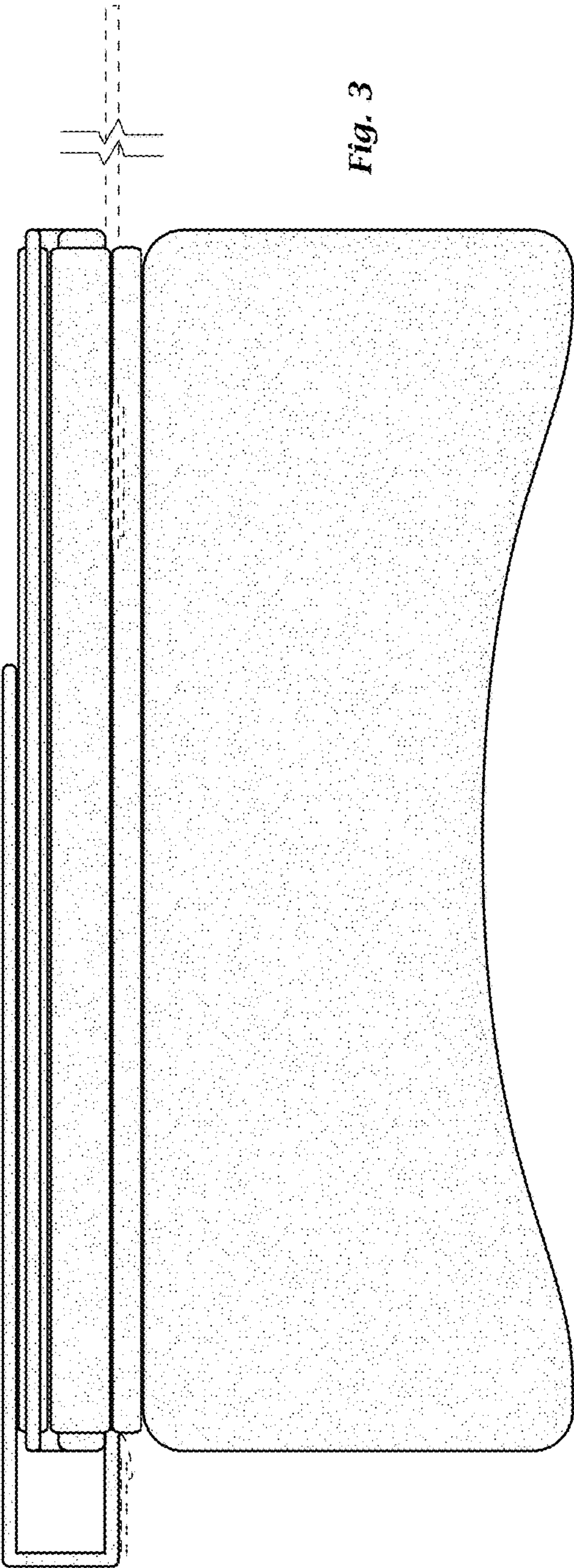


Fig. 3



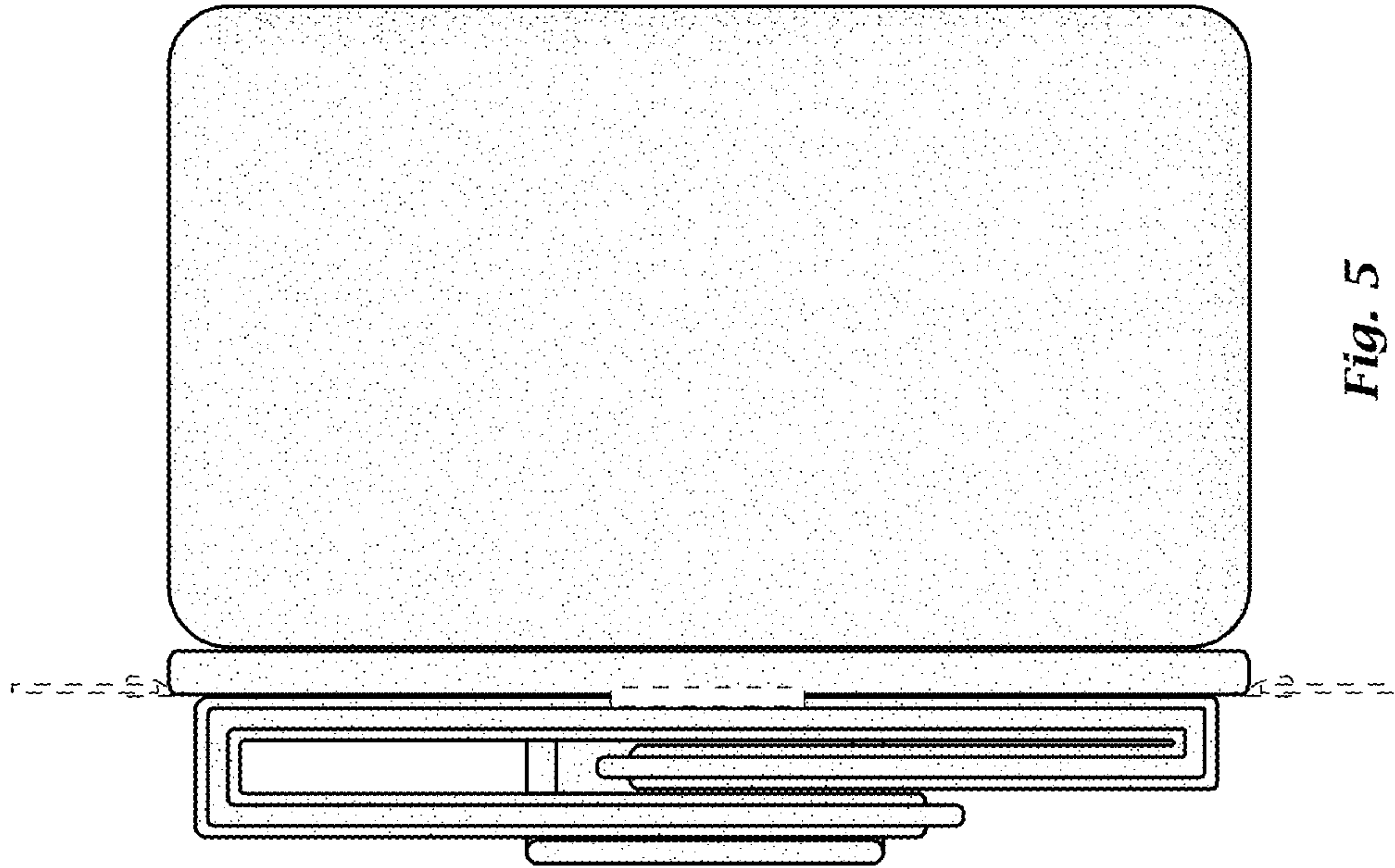


Fig. 5

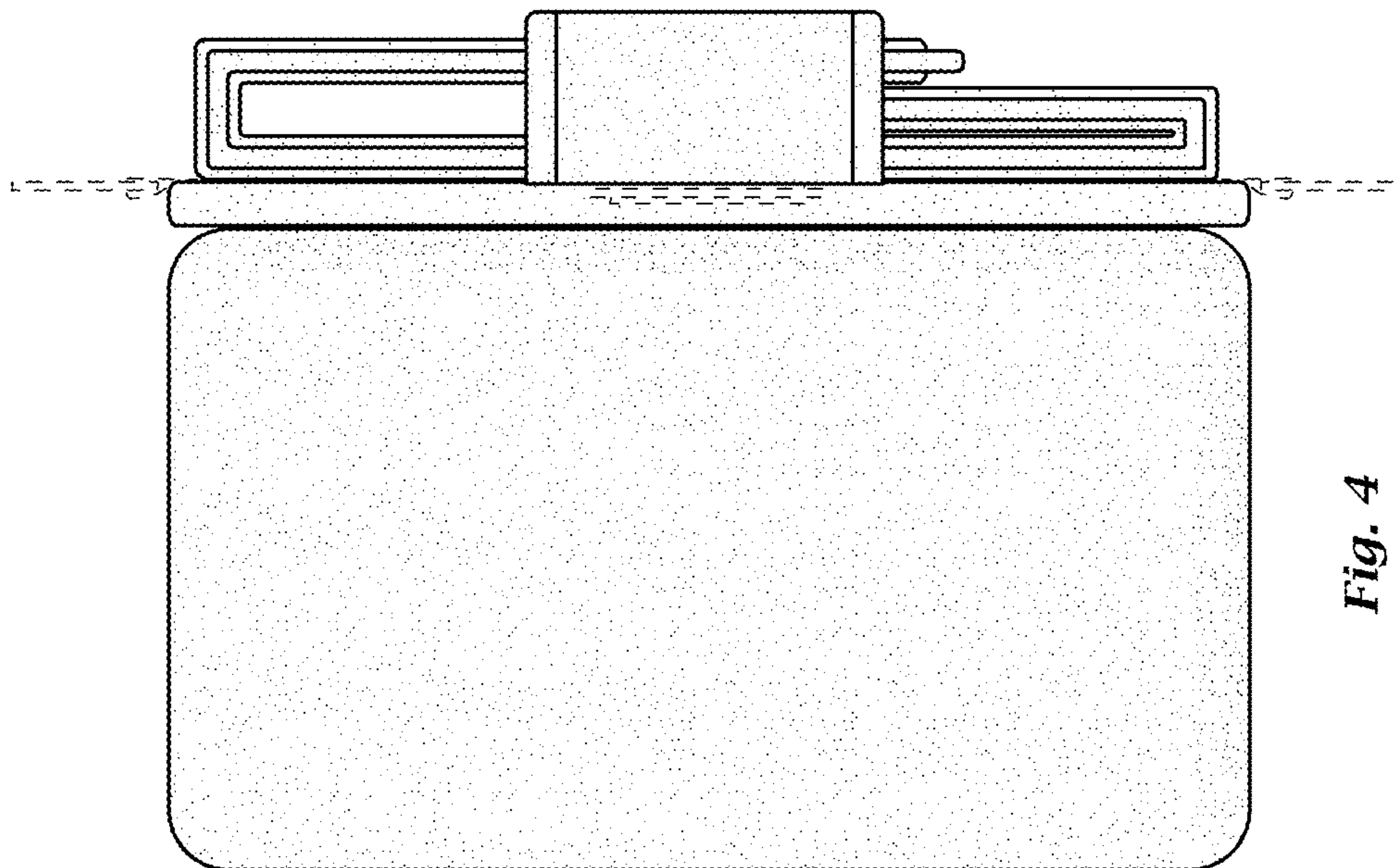


Fig. 4



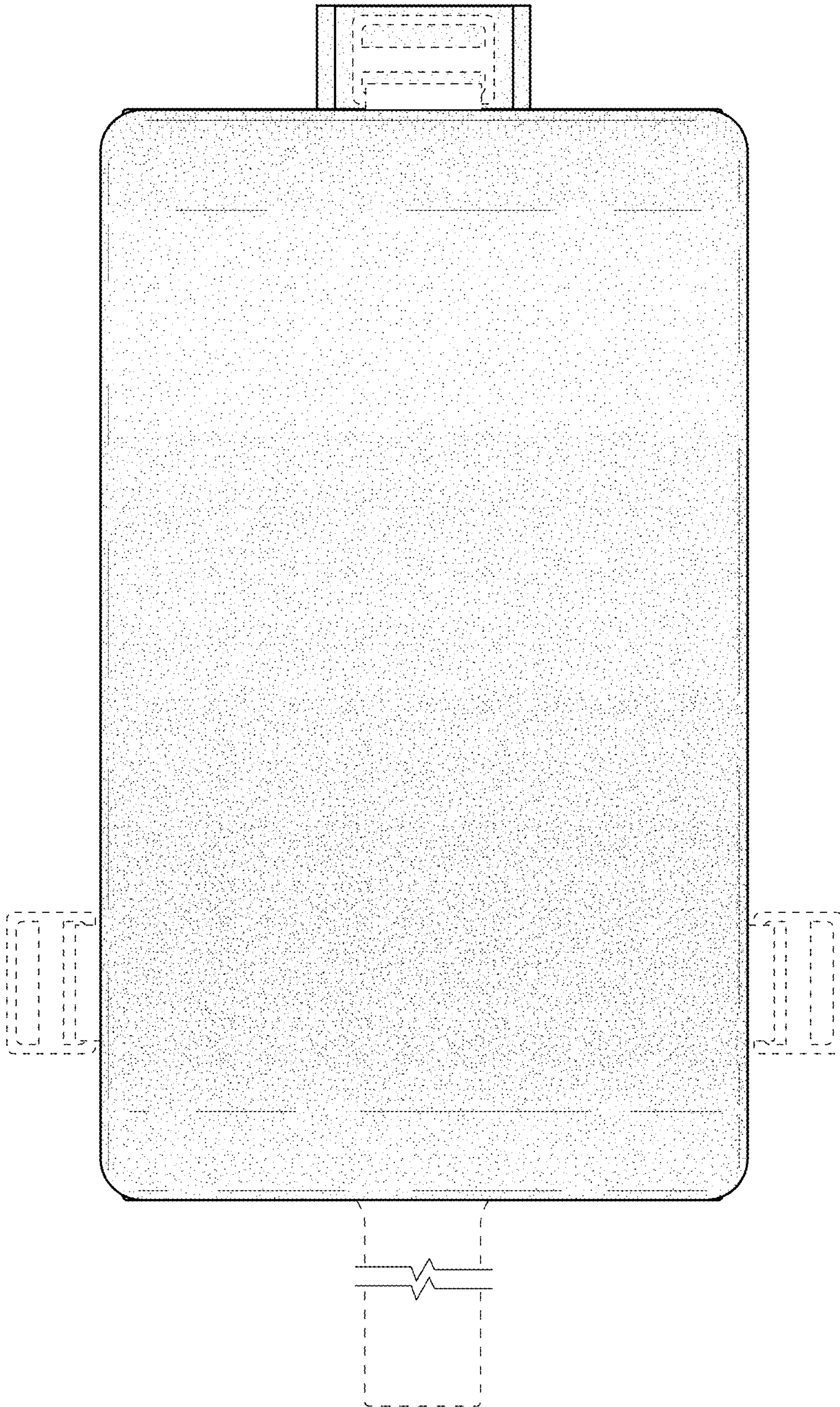


Fig. 6

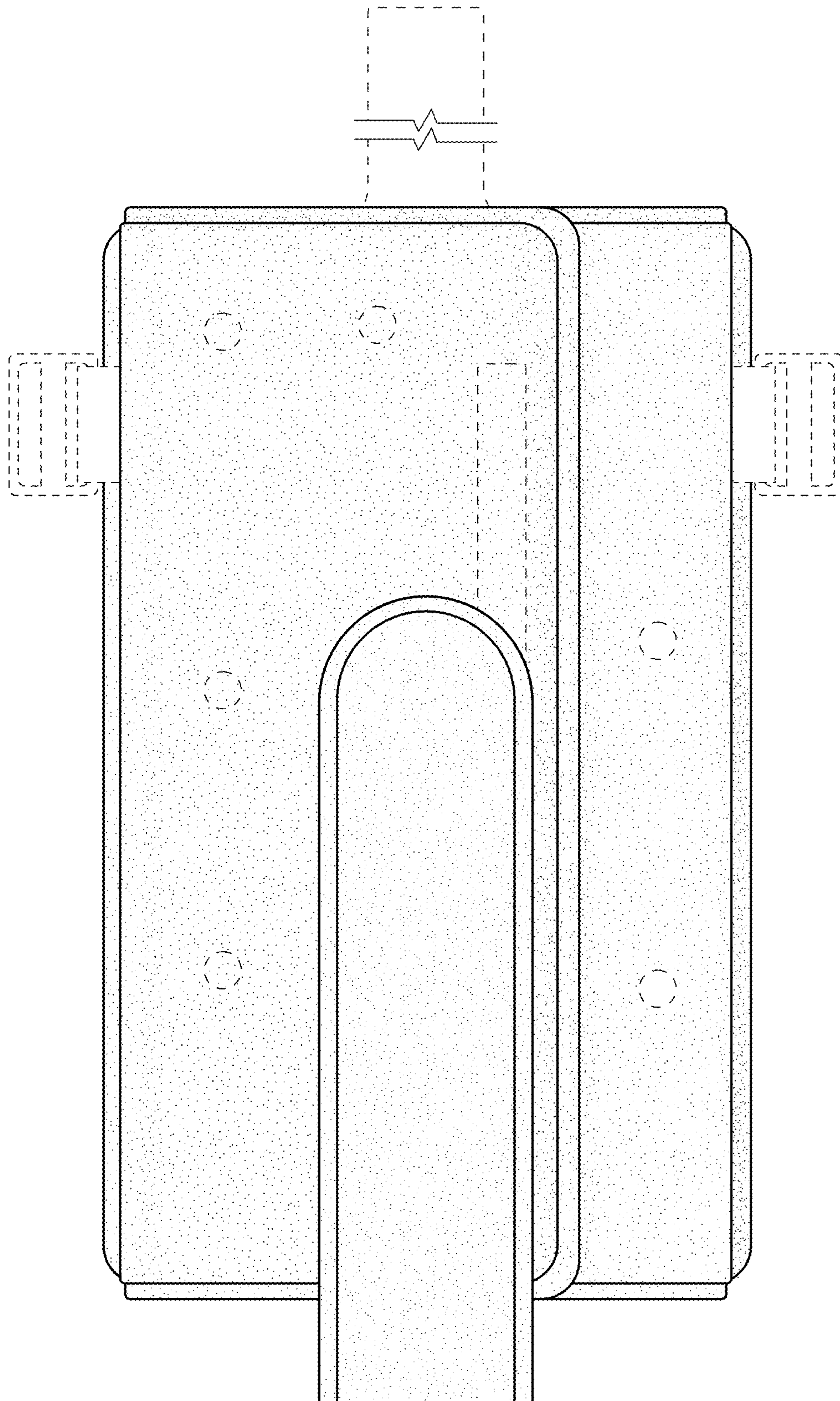


Fig. 7