



US00D816854S

(12) **United States Design Patent** (10) **Patent No.:** **US D816,854 S**
Acosta et al. (45) **Date of Patent:** **** May 1, 2018**

(54) **PUMP FOR USE WITH COMPRESSIONS GARMENTS**

(71) Applicant: **Huntleigh Technology Limited**,
Dunstable (GB)

(72) Inventors: **Julie Acosta**, Dunstable (GB); **Bruce McNeil**, Dunstable (GB); **Kenneth Mitchel Knowles**, Dunstable (GB); **X. Lu Zheng**, Dunstable (GB); **Clive Goodfield**, Dunstable (GB); **Robert Hibberdine**, Dunstable (GB); **Urban Orrell**, Dunstable (GB)

(73) Assignee: **Huntleigh Technology Limited** (GB)

(**) Term: **15 Years**

(21) Appl. No.: **29/608,097**

(22) Filed: **Jun. 19, 2017**

Related U.S. Application Data

(63) Continuation of application No. 29/518,106, filed on Feb. 19, 2015, now Pat. No. Des. 790,070.

(51) **LOC (11) Cl.** **24-04**

(52) **U.S. Cl.**
USPC **D24/189**

(58) **Field of Classification Search**
USPC D24/111, 188, 192, 107
CPC A61F 5/0111; A61H 9/0078; A61H 1/008
See application file for complete search history.

(56) **References Cited**

U.S. PATENT DOCUMENTS

5,277,695 A * 1/1994 Johnson, Jr. A61F 5/0111
128/DIG. 20
6,189,172 B1 * 2/2001 Baek A43B 5/0407
12/142 P
D471,274 S 3/2003 Diaz et al.
D515,205 S 2/2006 Fathalla et al.

D523,147 S 6/2006 Tesluk
7,282,038 B2 10/2007 Gillis et al.
D574,953 S 8/2008 Boaz
D586,463 S 2/2009 Evans et al.
D587,364 S 2/2009 Pukall et al.
D630,727 S 1/2011 Petrovic et al.
D643,537 S 8/2011 Lee
8,016,779 B2 * 9/2011 Brown A61H 9/0078
601/152
8,029,451 B2 * 10/2011 Meyer A61H 9/0078
602/13
8,162,861 B2 4/2012 Avitable et al.
(Continued)

OTHER PUBLICATIONS

Arjohuntleigh Getinge Group, "Flowtron: DVT Prevention System", 2011, 2 pages.

Primary Examiner — Michael A. Pratt
Assistant Examiner — Michelle E Wilson

(74) *Attorney, Agent, or Firm* — The Webb Law Firm

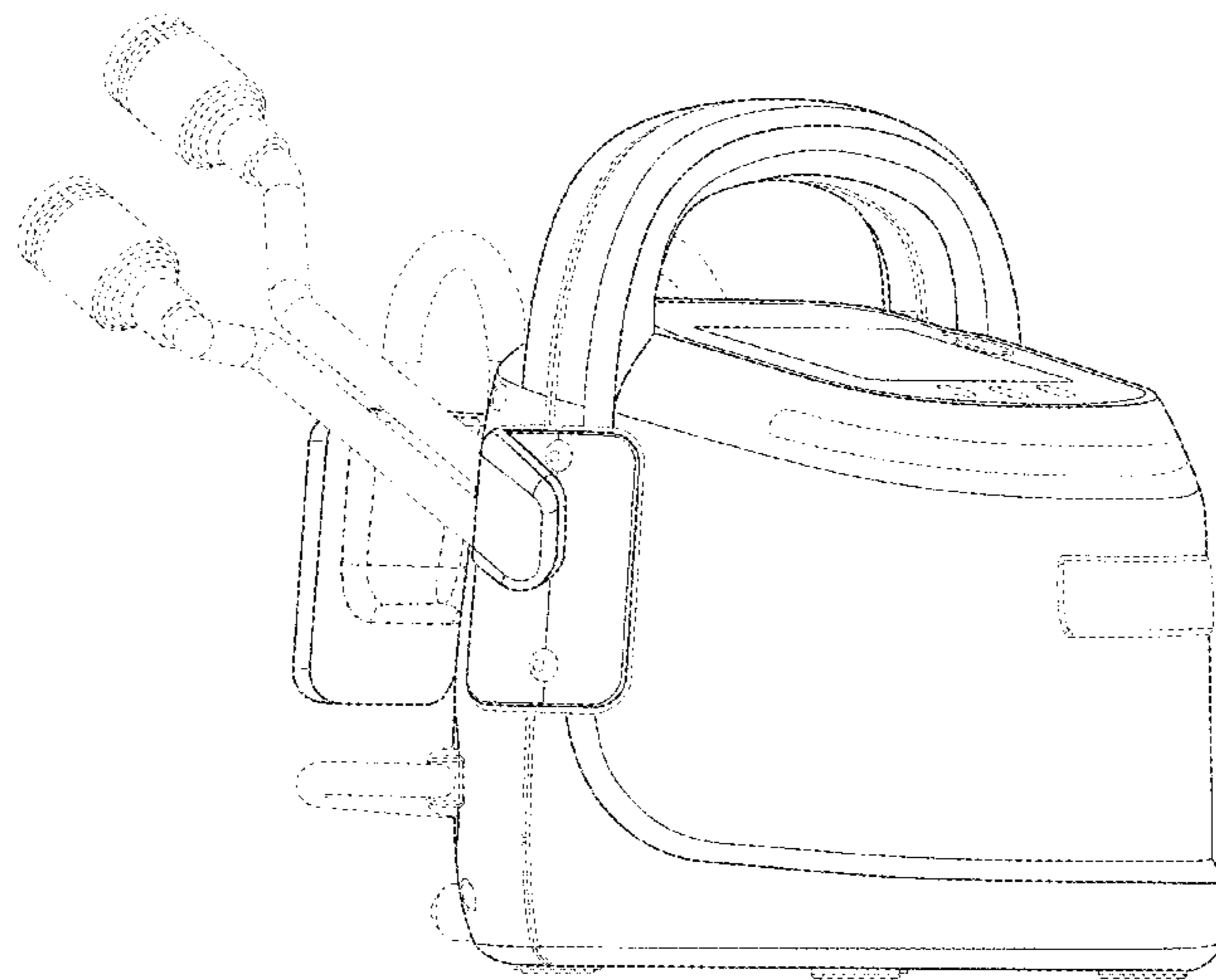
(57) **CLAIM**

The ornamental design for a pump for use with compression garments, as shown and described.

DESCRIPTION

FIG. 1 is a perspective view of a pump for use with compression garments, according to a first embodiment; FIG. 2 is a front view thereof; FIG. 3 is a back view thereof; FIG. 4 is a left side view thereof; FIG. 5 is a right side view thereof; FIG. 6 is a top view thereof; and, FIG. 7 is a bottom view thereof. The broken lines in the drawings showing portions of the pump for use with compression garments are included for the purpose of illustrating environmental structure and form no part of the claimed design.

1 Claim, 7 Drawing Sheets



(56)

References Cited

U.S. PATENT DOCUMENTS

8,273,043 B2 * 9/2012 Bonutti A61F 5/013
602/23
D669,575 S 10/2012 Ebert et al.
D674,083 S 1/2013 Boaz
D677,784 S 3/2013 Marguerie
8,506,508 B2 * 8/2013 Avitable A61H 9/0078
156/73.5
8,539,647 B2 * 9/2013 Cook A61F 13/0269
24/304
D723,157 S 2/2015 Clemente et al.
9,681,977 B2 * 6/2017 Bonutti A61F 5/02
9,744,065 B2 * 8/2017 Walborn A61F 5/0111
2011/0077566 A1 3/2011 Ganapathy
2011/0201981 A1 8/2011 Deshpande et al.
2014/0276283 A1 9/2014 Mansur, Jr. et al.
2014/0276284 A1 9/2014 Mansur, Jr. et al.
2014/0276285 A1 9/2014 Mansur, Jr. et al.
2014/0276290 A1 9/2014 Mansur, Jr. et al.
2014/0276291 A1 9/2014 Mansur, Jr. et al.
2015/0094629 A1 4/2015 Crowley et al.
2015/0231022 A1 8/2015 Shaltis
2015/0374571 A1 12/2015 Denson et al.
2016/0058654 A1 3/2016 Denson et al.

* cited by examiner

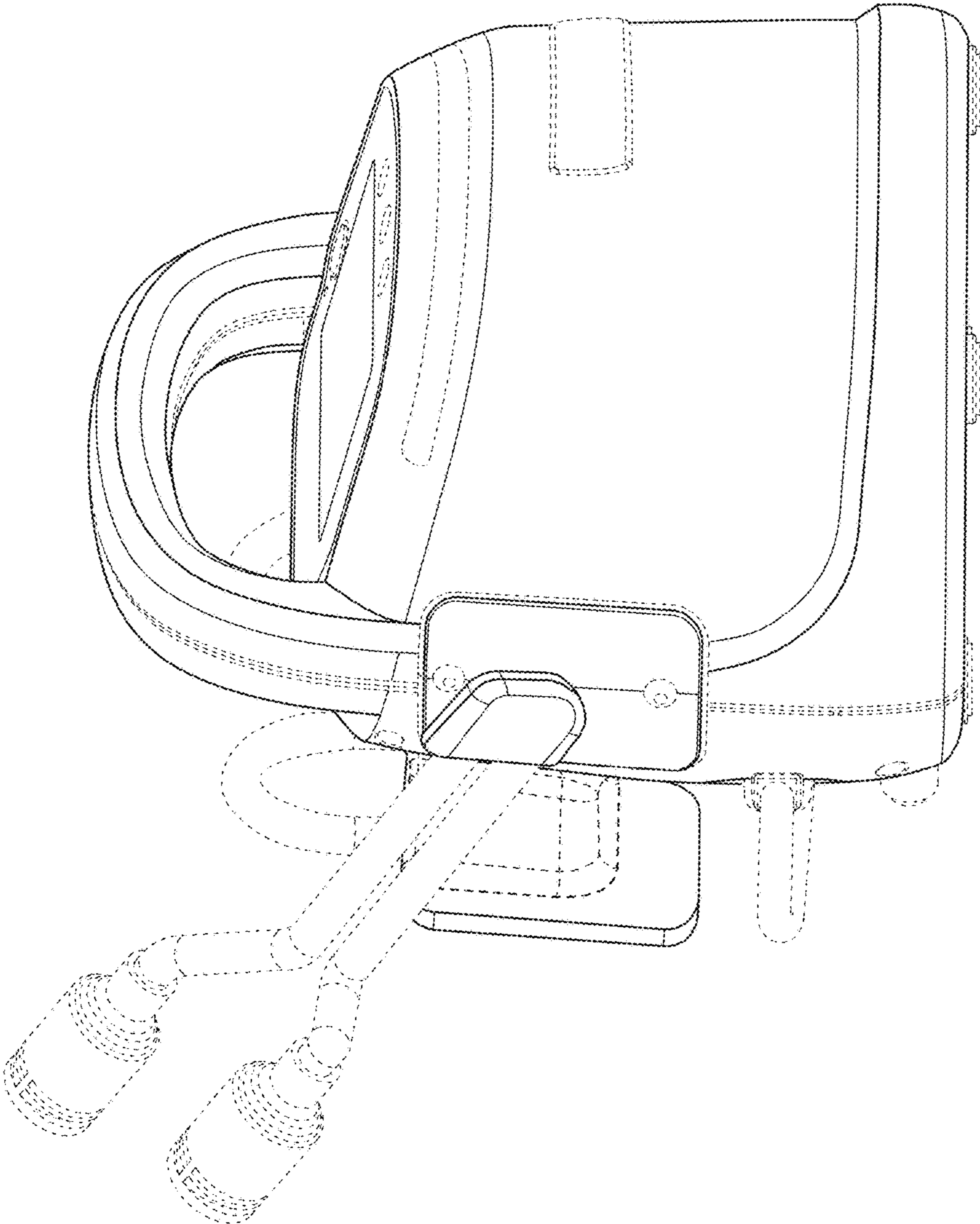


FIG. 1

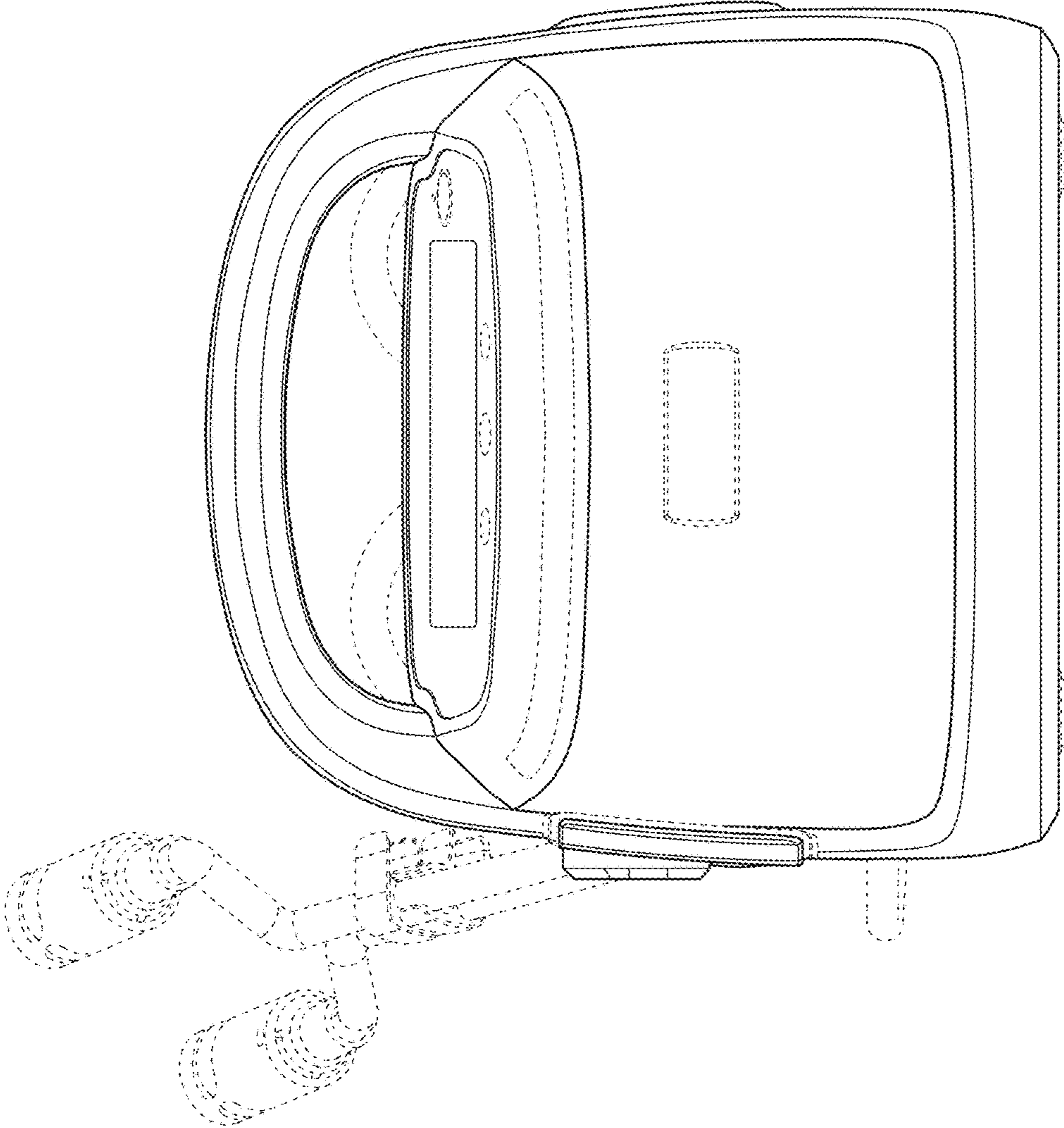


FIG. 2

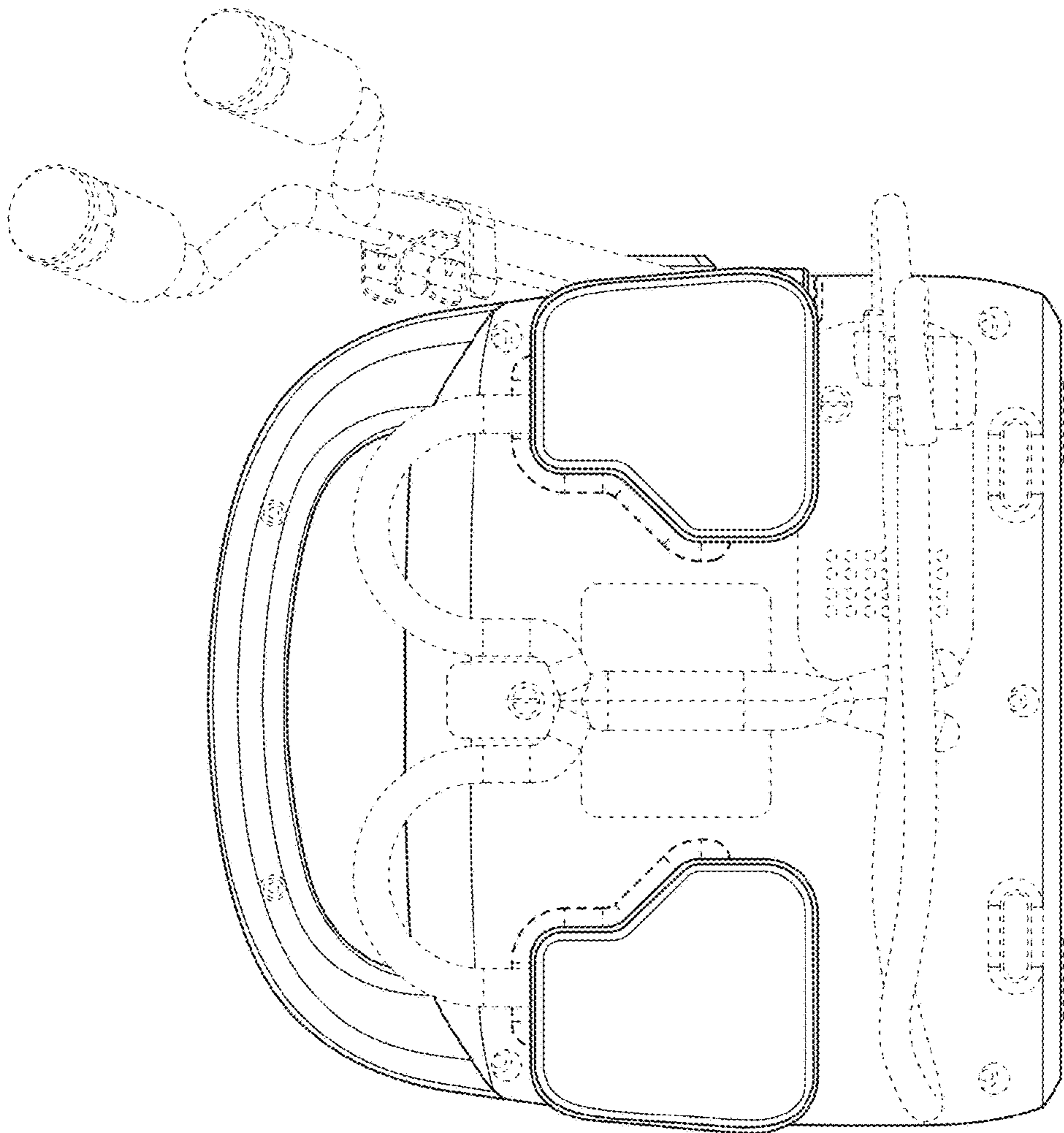


FIG. 3

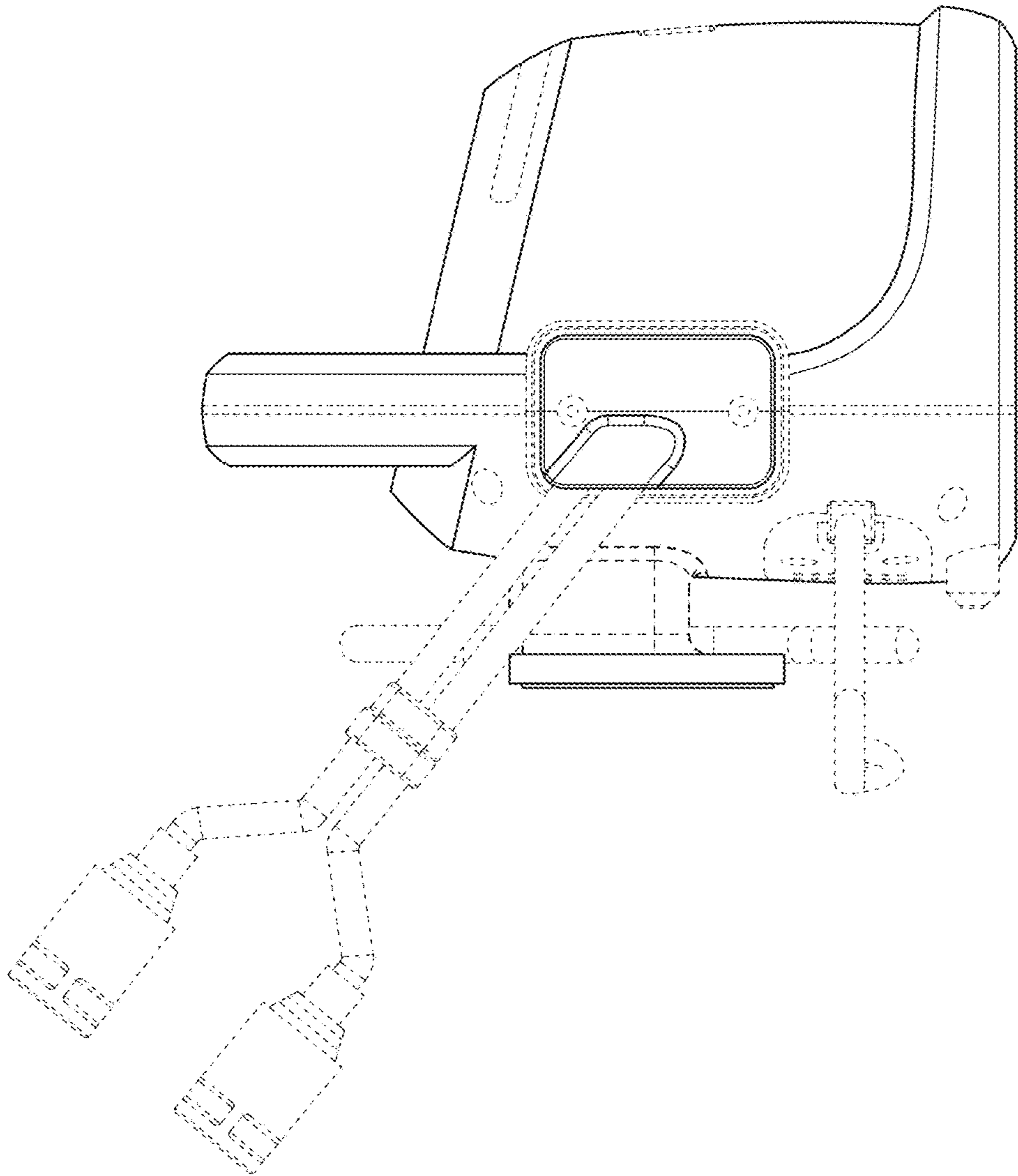


FIG. 4

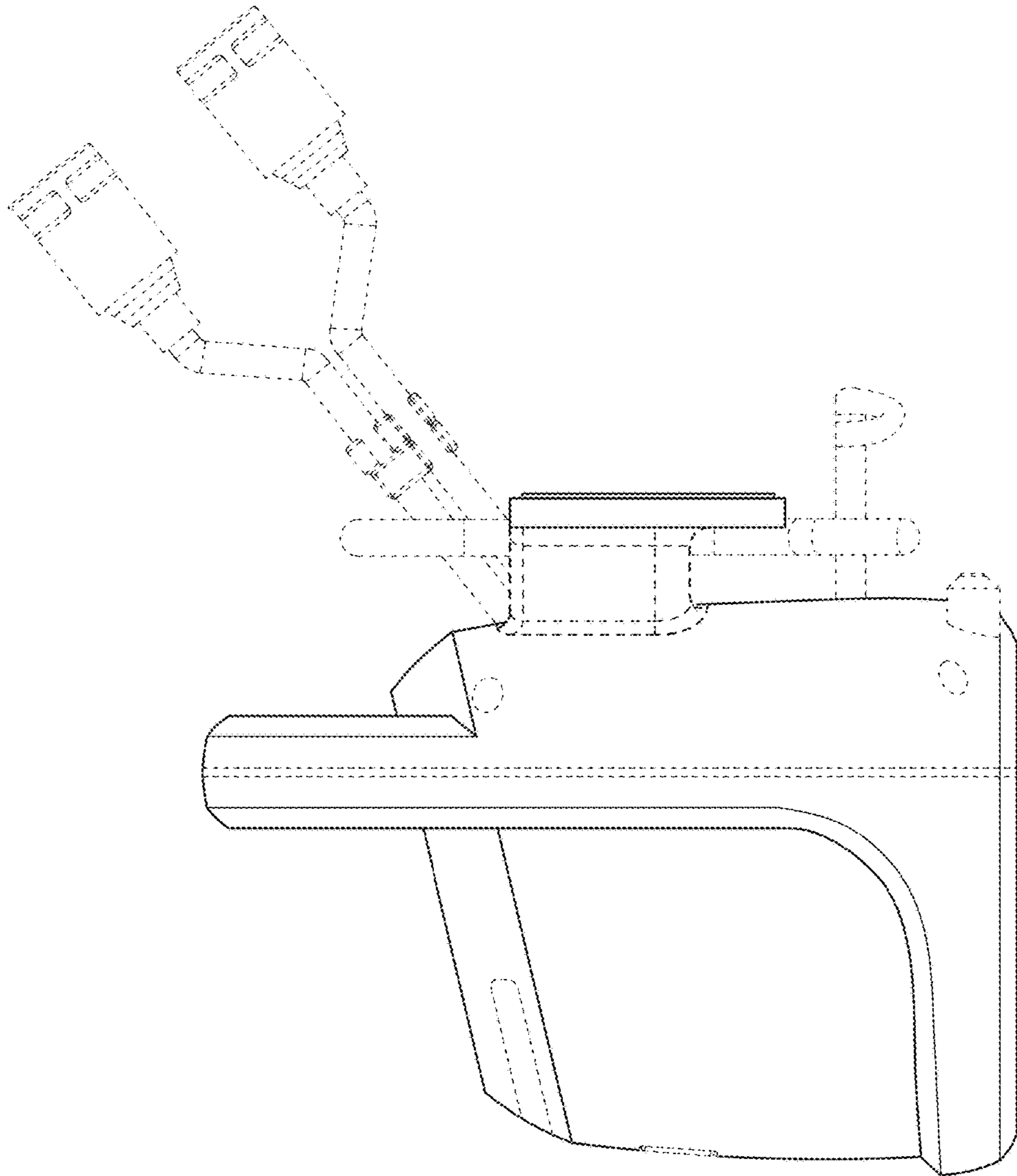


FIG. 5

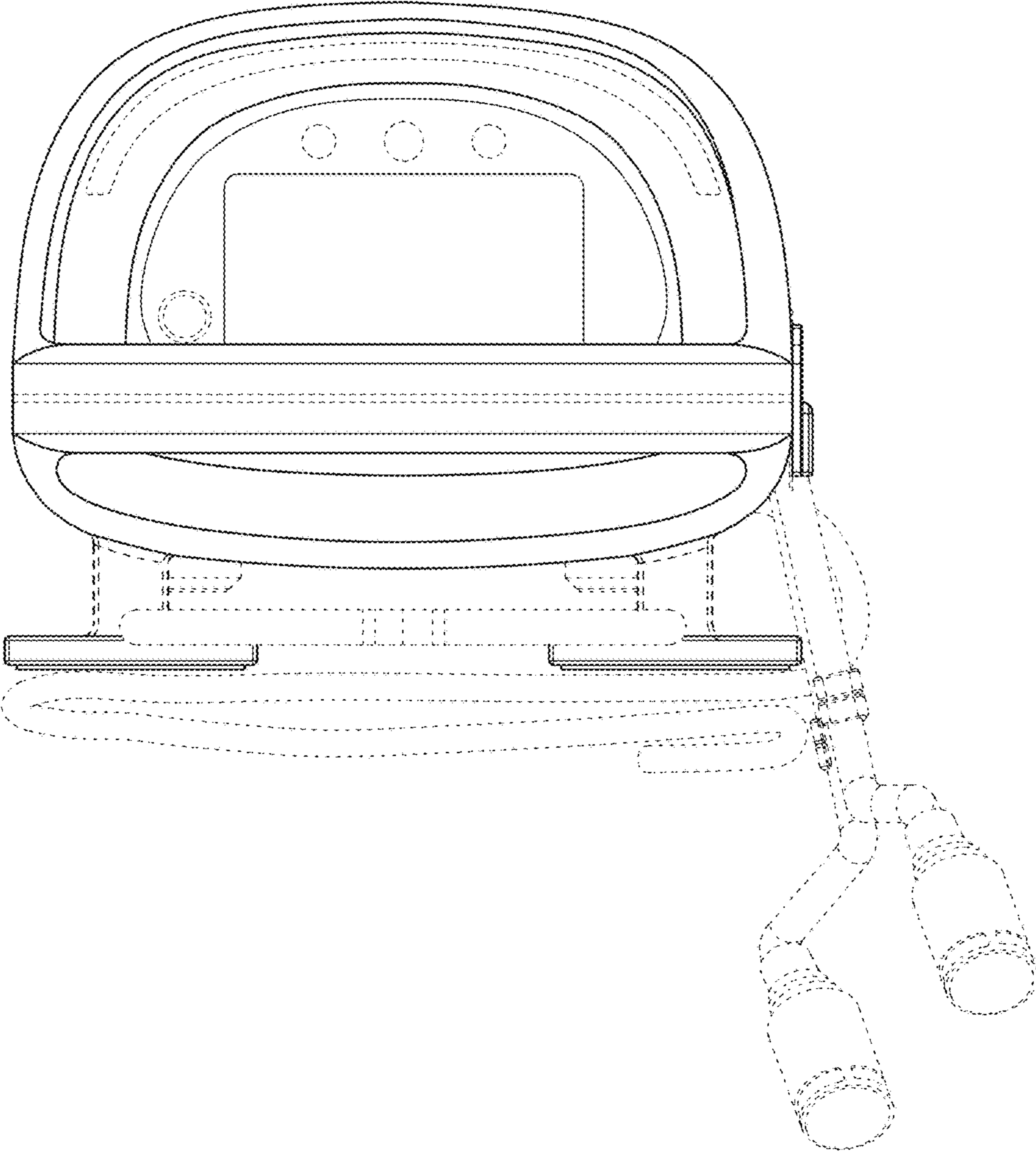


FIG. 6

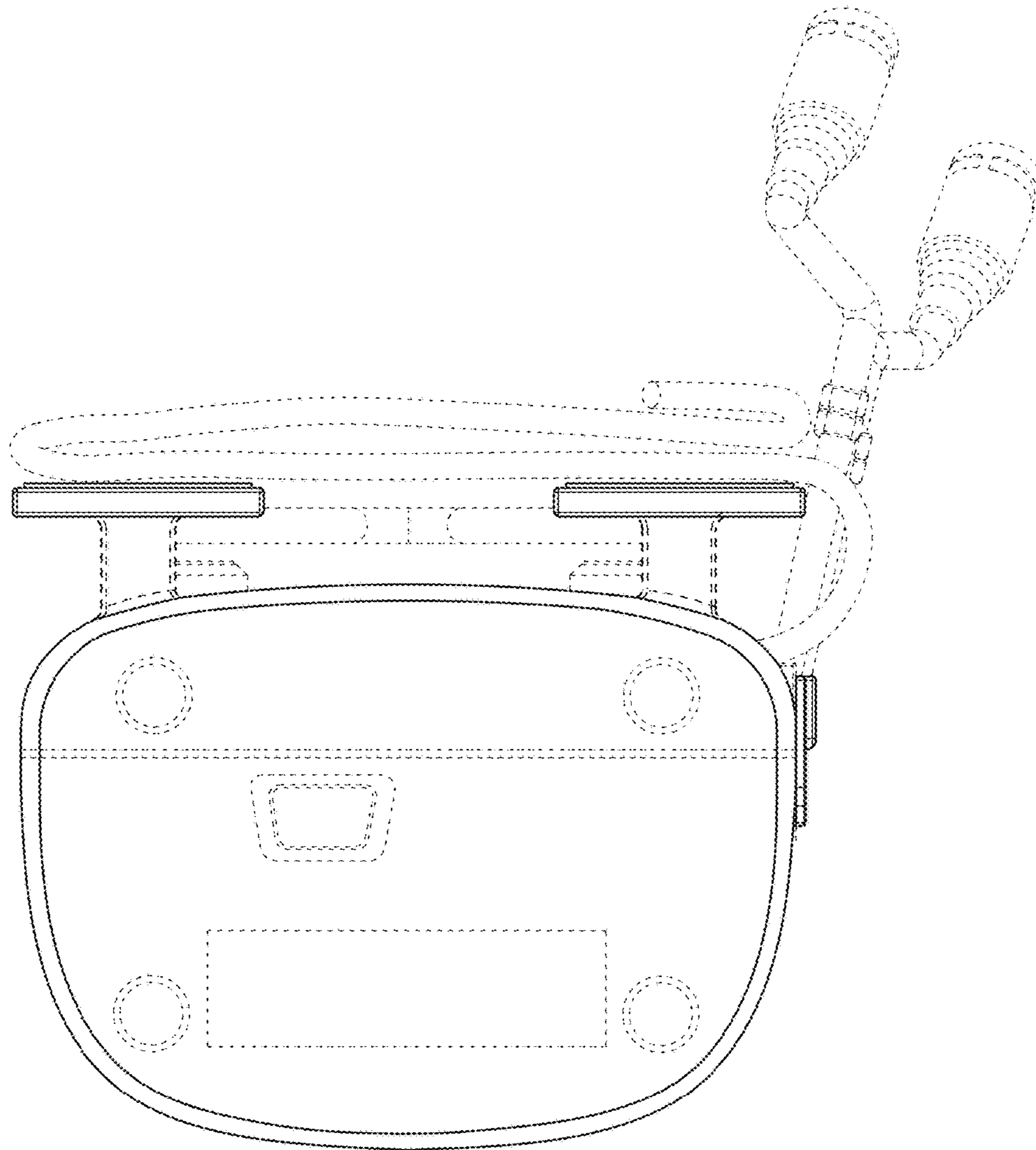


FIG. 7

UNITED STATES PATENT AND TRADEMARK OFFICE
CERTIFICATE OF CORRECTION

PATENT NO. : D816,854 S
APPLICATION NO. : 29/608097
DATED : May 1, 2018
INVENTOR(S) : Julie D. Acosta et al.

Page 1 of 1

It is certified that error appears in the above-identified patent and that said Letters Patent is hereby corrected as shown below:

On the Title Page

Column 1, Item (54) TITLE, delete "COMPRESSIONS" and insert -- COMPRESSION --

Signed and Sealed this
Sixth Day of November, 2018



Andrei Iancu
Director of the United States Patent and Trademark Office