



US00D816851S

(12) **United States Design Patent** (10) **Patent No.:** **US D816,851 S**
Asai et al. (45) **Date of Patent:** **** May 1, 2018**

(54) **MEDICAL PROBE**

D681,820 S * 5/2013 Shinohara D24/186
D701,608 S * 3/2014 Baba D24/187
D703,820 S * 4/2014 Moon D24/187

(71) Applicant: **KONICA MINOLTA, INC.**,
Chiyoda-ku, Tokyo (JP)

(Continued)

(72) Inventors: **Tomonari Asai**, Hachioji (JP);
Kenichiro Uchihara, Nagareyama (JP)

FOREIGN PATENT DOCUMENTS

JP D1195490 S 1/2004
JP D1452418 S 10/2012

(73) Assignee: **KONICA MINOLTA, INC.**,
Chiyoda-Ku, Tokyo (JP)

(Continued)

(**) Term: **15 Years**

OTHER PUBLICATIONS

(21) Appl. No.: **29/597,541**

Office Action (Notification of Reason(s) for Refusal) dated Mar. 21, 2017, by the Japanese Patent Office in corresponding Japanese Patent Application No. D2016-022641, with an English translation of the Office Action.

(22) Filed: **Mar. 17, 2017**

(Continued)

(30) **Foreign Application Priority Data**

Oct. 18, 2016 (JP) D2016-022641

Primary Examiner — Anhdao Doan

(51) **LOC (11) Cl.** **24-01**

Assistant Examiner — Mary Malley

(52) **U.S. Cl.**

(74) *Attorney, Agent, or Firm* — Buchanan Ingersoll & Rooney PC

USPC **D24/187**

(58) **Field of Classification Search**

USPC D24/107, 133, 137, 138, 141, 158–161,
D24/164, 165, 167, 170, 185–187;
D10/57, 60, 78, 80; 600/407, 439, 446,
600/459, 461; 378/98.7, 98.8, 189
CPC ... A61B 8/0437; A61B 8/0883; A61B 8/4405;
A61B 8/4411; A61B 8/4427; A61B
8/445; A61B 8/4455; A61B 8/4461; A61B
8/4483; A61B 8/46; A61B 8/462; A61B
5/0095

See application file for complete search history.

(57)

CLAIM

The ornamental design for a medical probe, as shown and described.

(56) **References Cited**

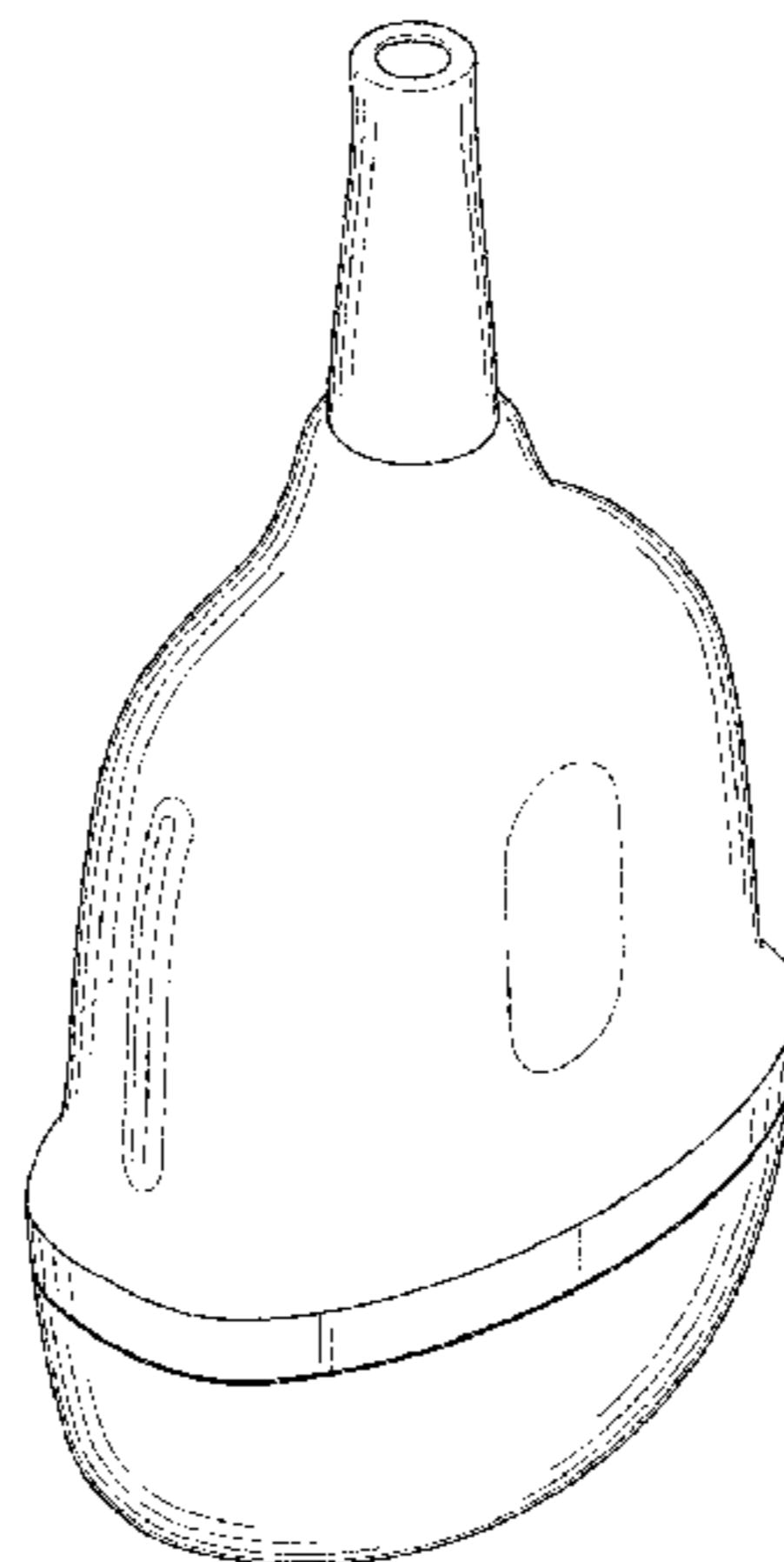
U.S. PATENT DOCUMENTS

D555,252 S * 11/2007 Kitayama D24/186
D598,108 S * 8/2009 Hasegawa D24/186
D609,352 S * 2/2010 Kitayama D24/186
D679,021 S * 3/2013 Tani D24/187

DESCRIPTION

FIG. 1 is a perspective view of a medical probe;
FIG. 2 is a front view thereof, the opposite side being a mirror image of the side shown herein;
FIG. 3 is a left side view thereof;
FIG. 4 is a right side view thereof;
FIG. 5 is a top view thereof;
FIG. 6 is a bottom view thereof;
FIG. 7 is a cross-sectional view taken along line 7-7 in FIG. 2 in which the internal mechanism is omitted thereof; and,
FIG. 8 is a cross-sectional view taken along line 8-8 in FIG. 2 in which the internal mechanism is omitted thereof.

1 Claim, 4 Drawing Sheets



(56)

References Cited

U.S. PATENT DOCUMENTS

D745,175 S * 12/2015 Kitayama D24/187
D749,224 S 2/2016 Iritani
D767,150 S * 9/2016 Moon D24/186
D791,330 S * 7/2017 Moon D24/187
2013/0301395 A1* 11/2013 Hebrard G01S 7/52079
367/189

FOREIGN PATENT DOCUMENTS

JP D1515349 S 1/2015
JP D1524151 5/2015
KR D30-0726181 S 1/2014

OTHER PUBLICATIONS

Office Action (Decision of Refusal) dated Jun. 19, 2017, by the Japanese Patent Office in corresponding Japanese Patent Application No. D2016-022641, with an English translation of Office Action. (5 pages).

* cited by examiner

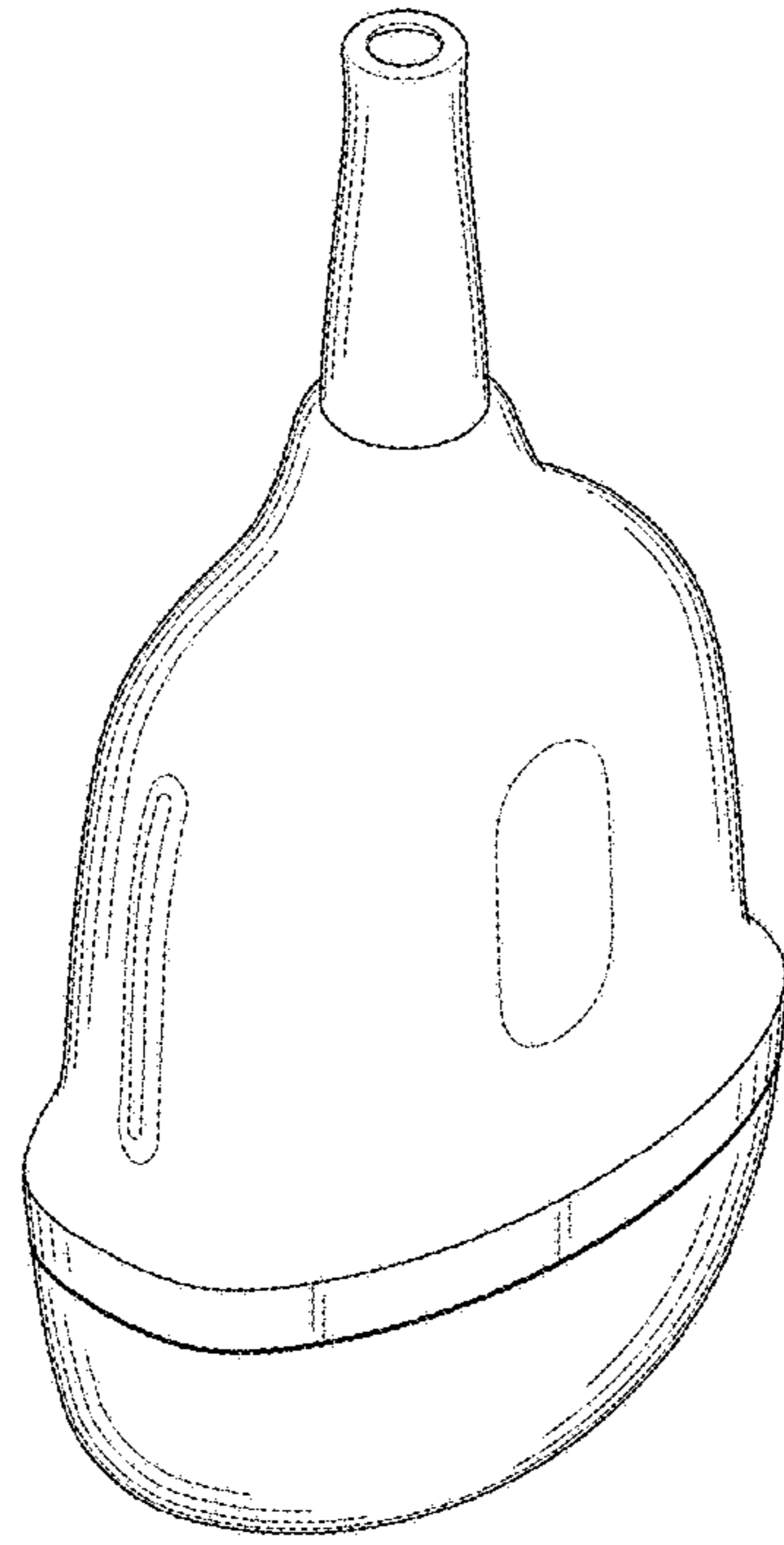


FIG. 1

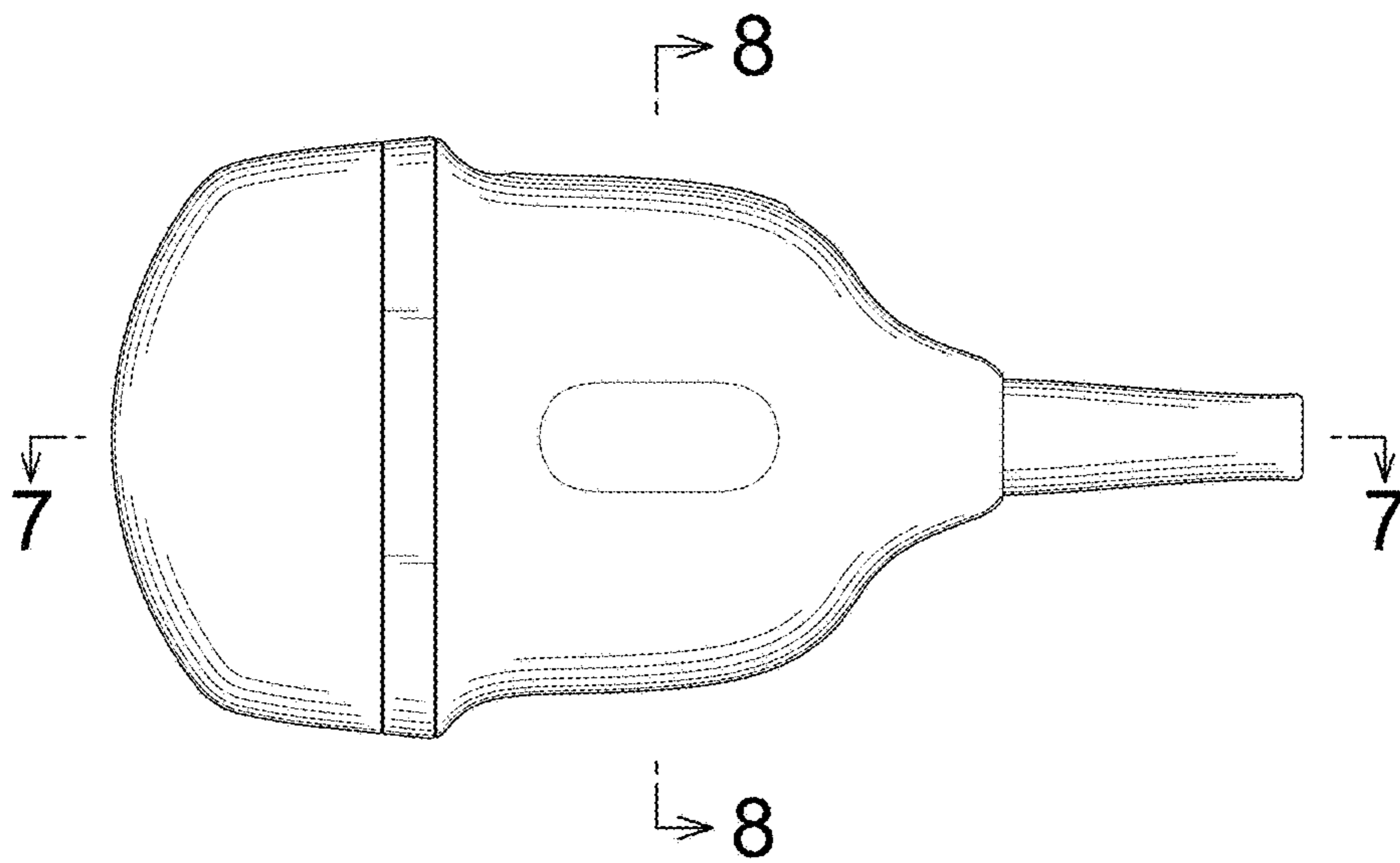


FIG. 2

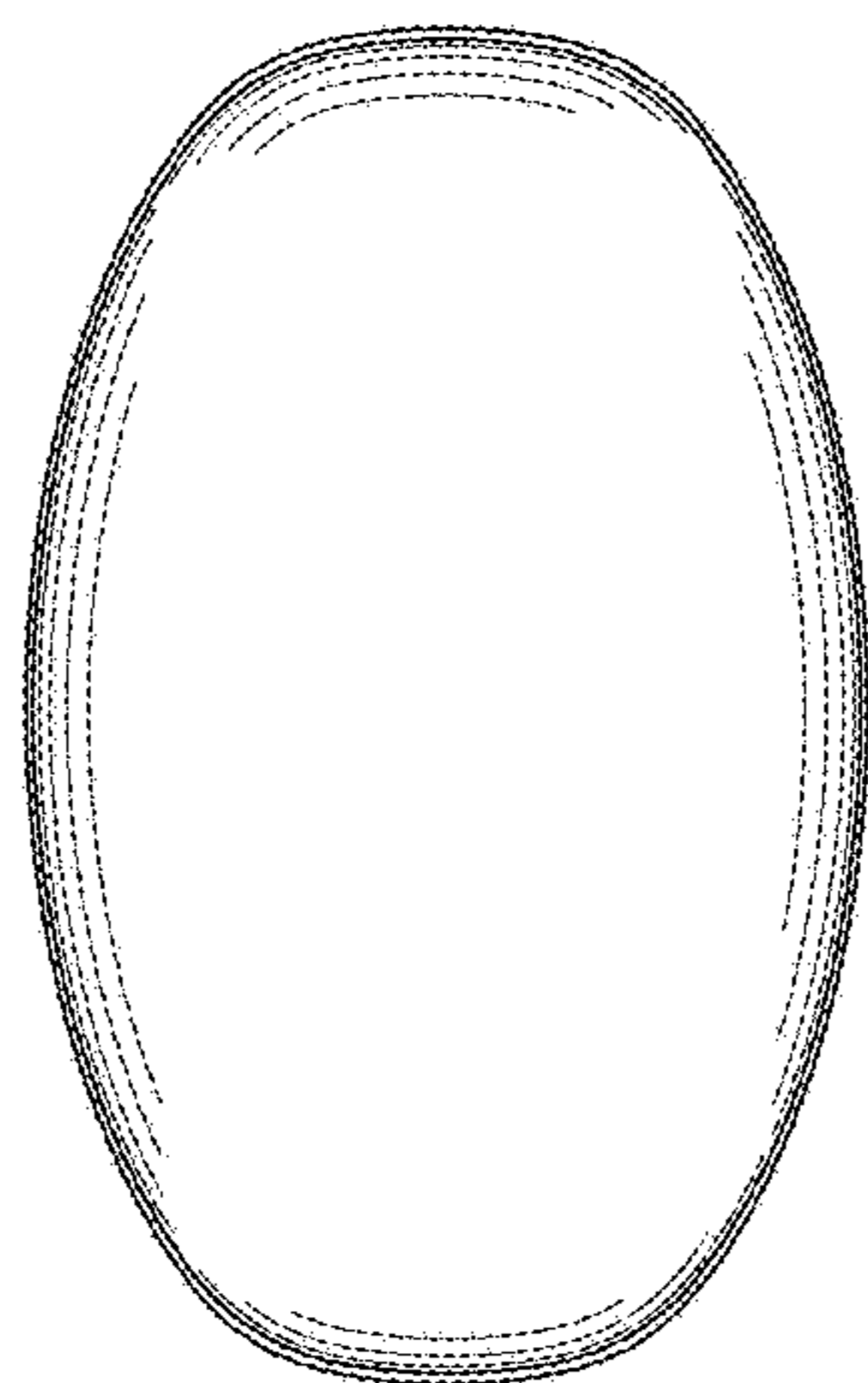


FIG.3

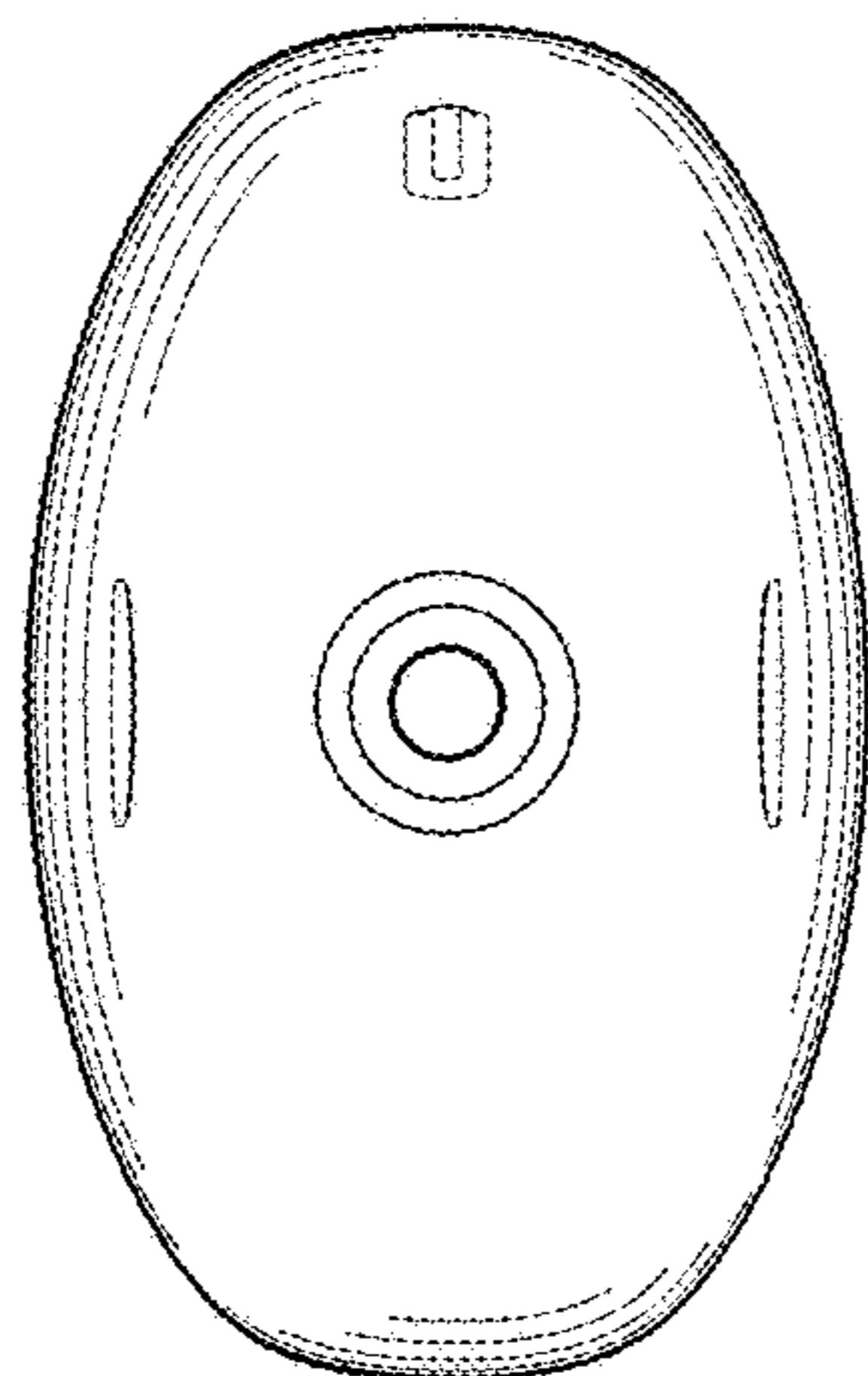


FIG.4

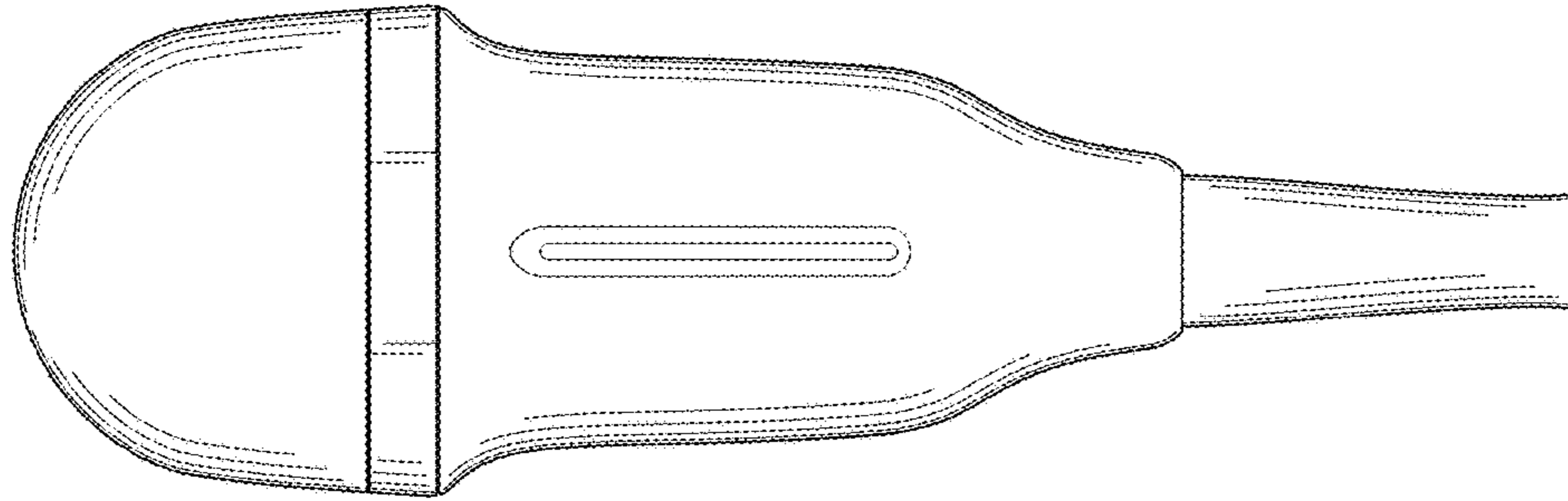


FIG. 5

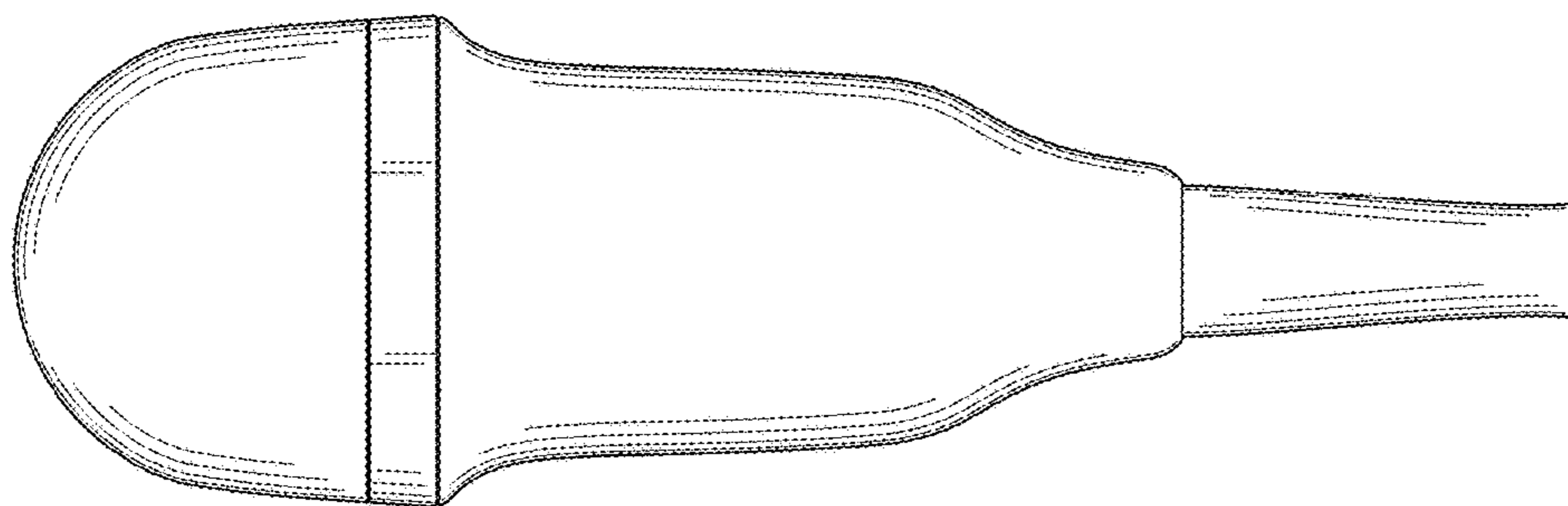


FIG. 6

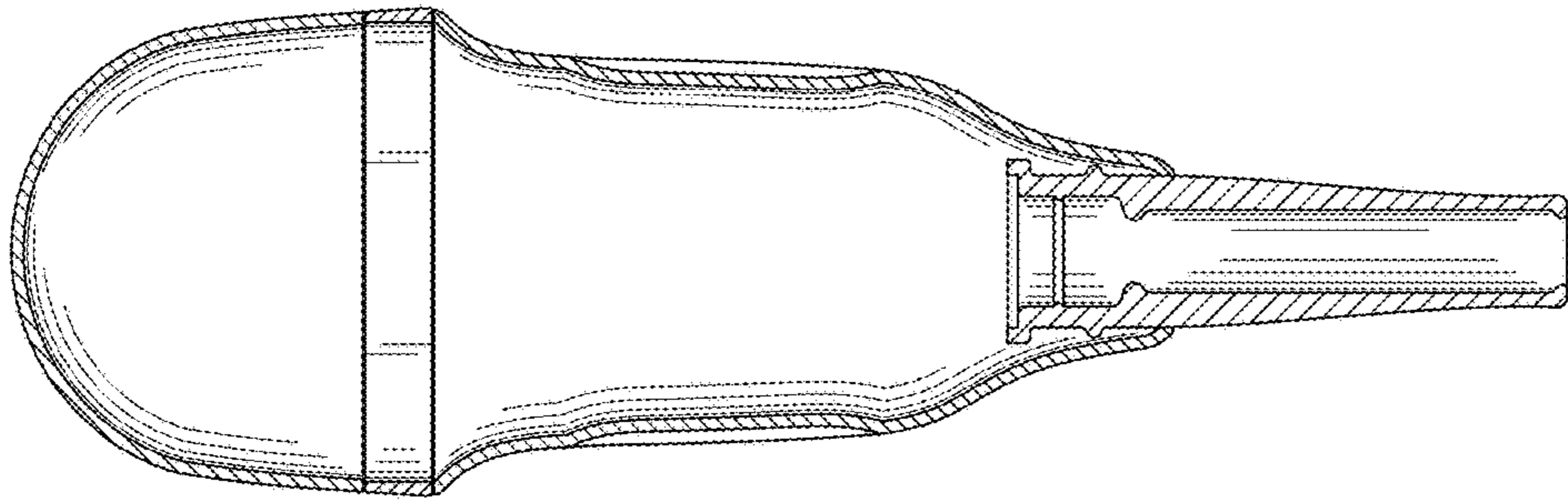


FIG.7

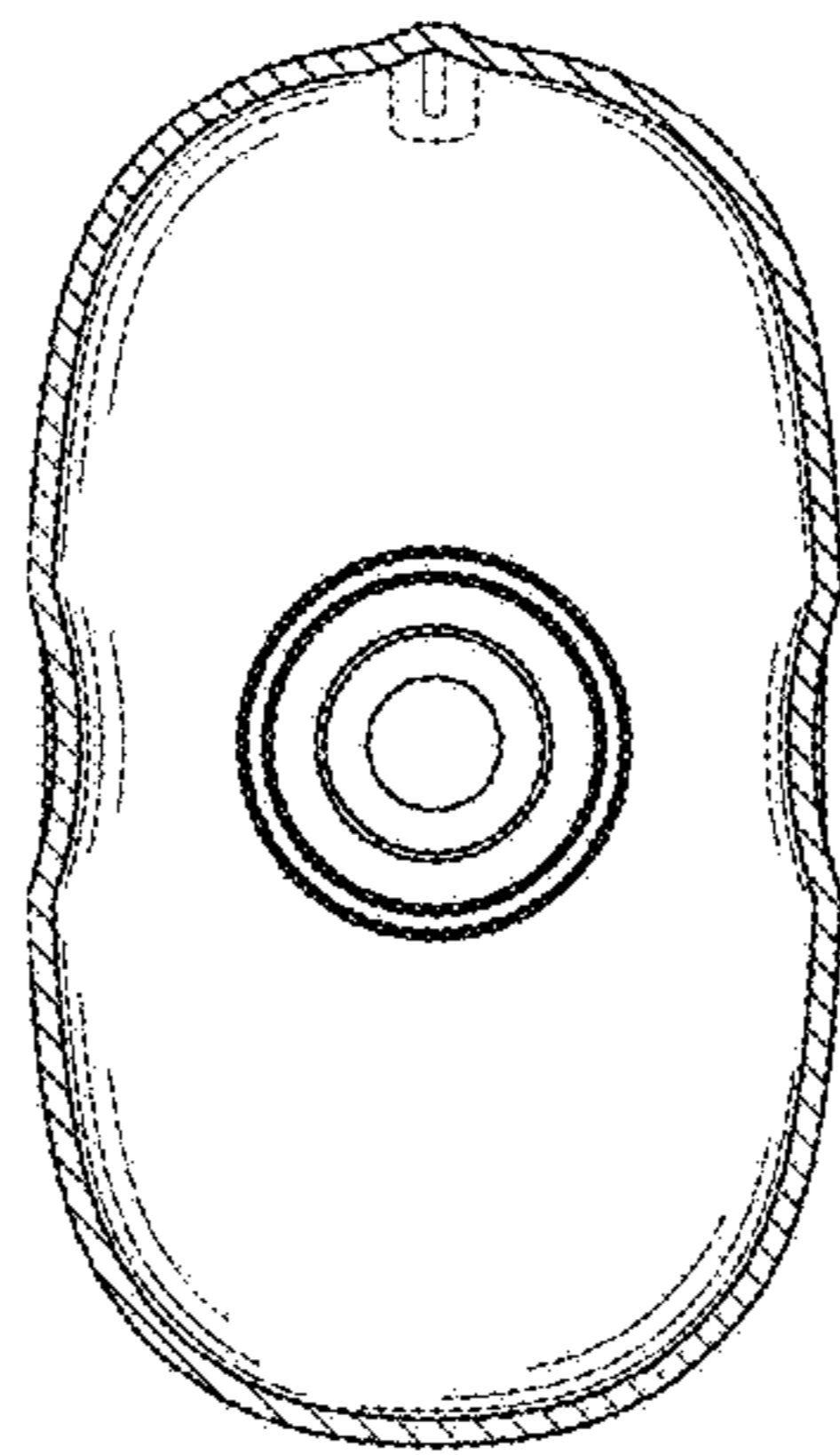


FIG.8