



US00D816849S

(12) **United States Design Patent** (10) **Patent No.:** **US D816,849 S**
Nesbitt (45) **Date of Patent:** **** May 1, 2018**

(54) **WALKER APPARATUS** 7,896,298 B2 * 3/2011 Meyers A61M 5/1415
 248/124.1
 (71) Applicant: **Jonathan Nesbitt**, Nashville, TN (US) 7,935,030 B1 * 5/2011 Nesbitt A61H 3/04
 482/142
 (72) Inventor: **Jonathan Nesbitt**, Nashville, TN (US) D648,855 S * 11/2011 Smith D24/158
 8,292,310 B2 * 10/2012 Turner A61H 3/04
 280/47.34
 (73) Assignee: **Clear Recovery Systems, LLC**,
 Wilmington, NC (US) D703,329 S * 4/2014 Worcester D24/185
 D733,891 S * 7/2015 Murray D24/185

(**) Term: **14 Years**

(21) Appl. No.: **29/504,992**

(22) Filed: **Oct. 10, 2014**

(51) **LOC (11) Cl.** **24-00**

(52) **U.S. Cl.**
 USPC **D24/185**

(58) **Field of Classification Search**
 USPC D24/185, 128, 158; D34/24, 14;
 482/142; 248/125.1, 125.7, 124.1;
 280/47.35, 47.34; 312/209
 CPC ... A61M 5/1415; A61H 23/0218; A61G 1/04;
 A61G 12/001; A61B 17/00; A60H 3/04
 See application file for complete search history.

(56) **References Cited**

U.S. PATENT DOCUMENTS

D252,300 S * 7/1979 Pryor D24/128
 D260,816 S * 9/1981 Zissimopoulos D24/128
 D281,453 S * 11/1985 DiGianfilippo D24/128
 D308,725 S * 6/1990 Kraus D24/128
 D310,570 S * 9/1990 Wells D24/128
 5,125,607 A * 6/1992 Pryor A61M 5/1415
 248/125.1
 5,135,191 A * 8/1992 Schmuhl A61G 1/04
 248/125.1
 6,056,249 A * 5/2000 Fillon, Jr. A61M 5/1415
 248/125.7
 D523,203 S * 6/2006 Pertuset D34/24
 7,490,837 B2 * 2/2009 Pond A61B 17/00
 280/47.35
 D612,561 S * 3/2010 Hunter D34/14

(Continued)
 Primary Examiner — Rhea Shields
 (74) Attorney, Agent, or Firm — Patterson Intellectual
 Property Law, P.C.; Ryan D. Levy

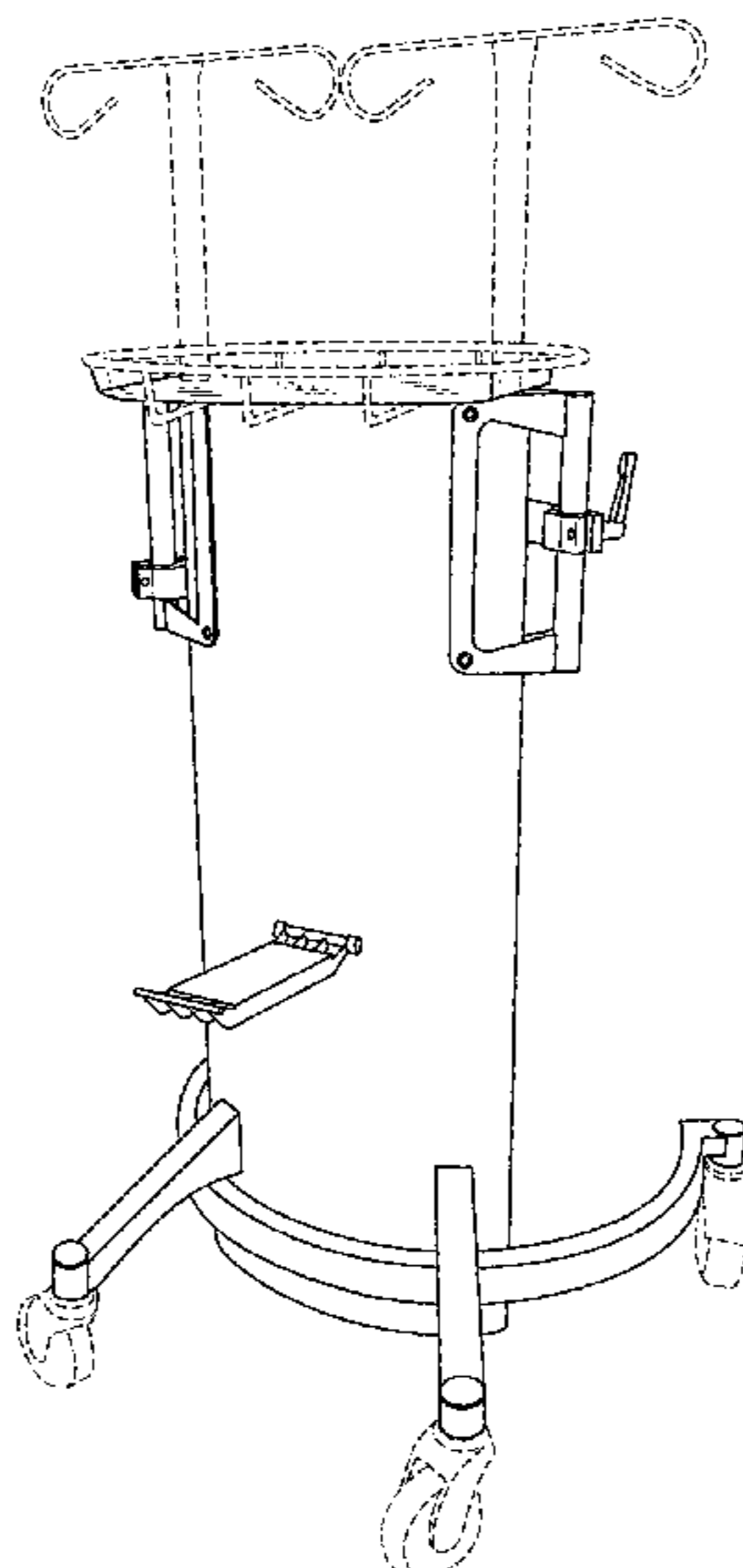
(57) **CLAIM**

The ornamental design for a walker apparatus, as shown and described.

DESCRIPTION

FIG. 1 is a front perspective view showing the walker apparatus of Applicant's invention.
 FIG. 2 is another front perspective view showing the walker apparatus of Applicant's invention.
 FIG. 3 is a front view showing the walker apparatus of Applicant's invention.
 FIG. 4 is a rear view showing the walker apparatus of Applicant's invention.
 FIG. 5 is a left view showing the walker apparatus of Applicant's invention.
 FIG. 6 is a right view showing the walker apparatus of Applicant's invention.
 FIG. 7 is a top view showing the walker apparatus of Applicant's invention; and,
 FIG. 8 is a bottom view showing the walker apparatus of Applicant's invention.
 In the drawings, the broken lines are for the purpose of illustrating environment only and form no part of the claimed design.

1 Claim, 5 Drawing Sheets



(56)

References Cited

U.S. PATENT DOCUMENTS

D735,868 S * 8/2015 Mareguddi D24/185
2009/0015116 A1* 1/2009 Arceta A61G 12/001
312/209

* cited by examiner

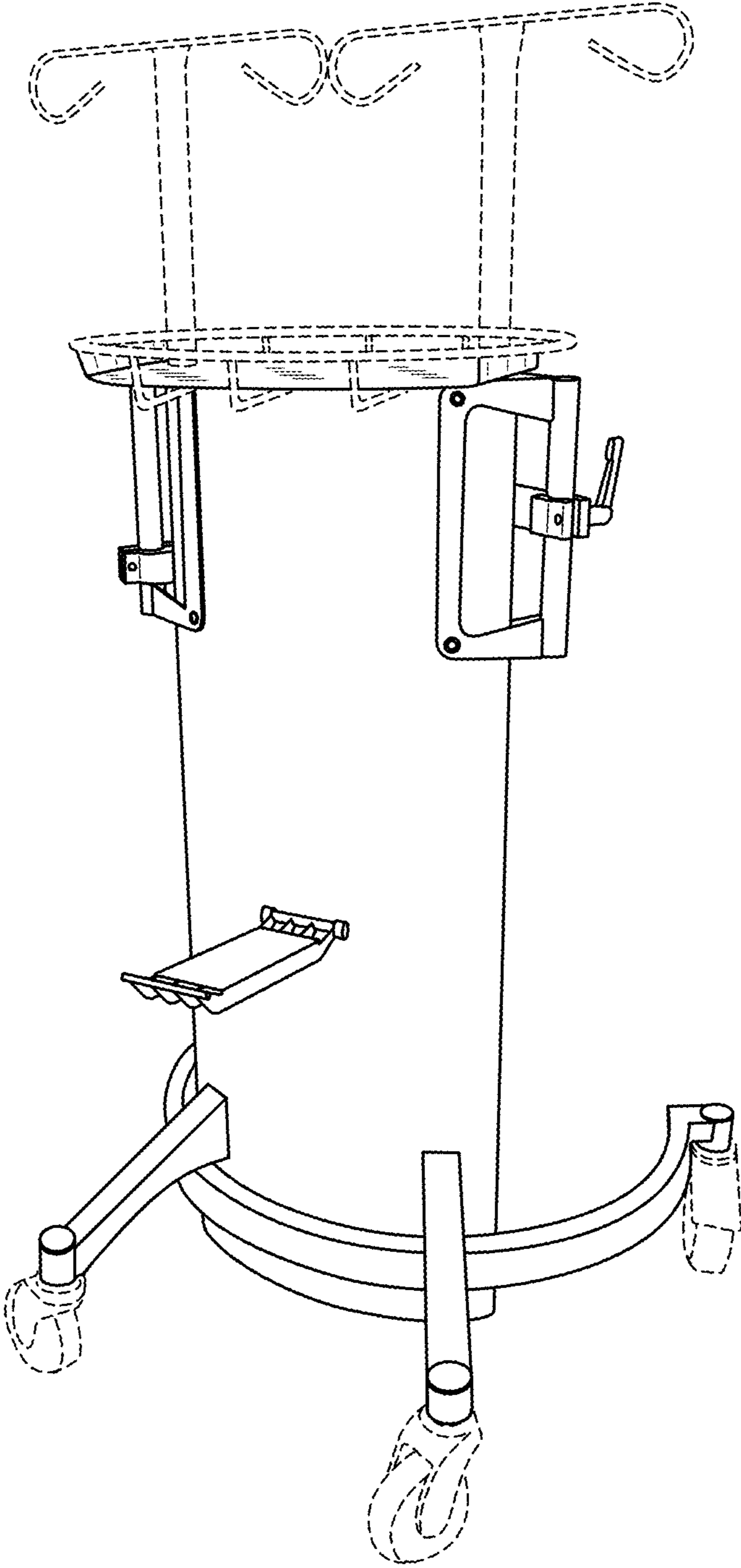


FIG. 1

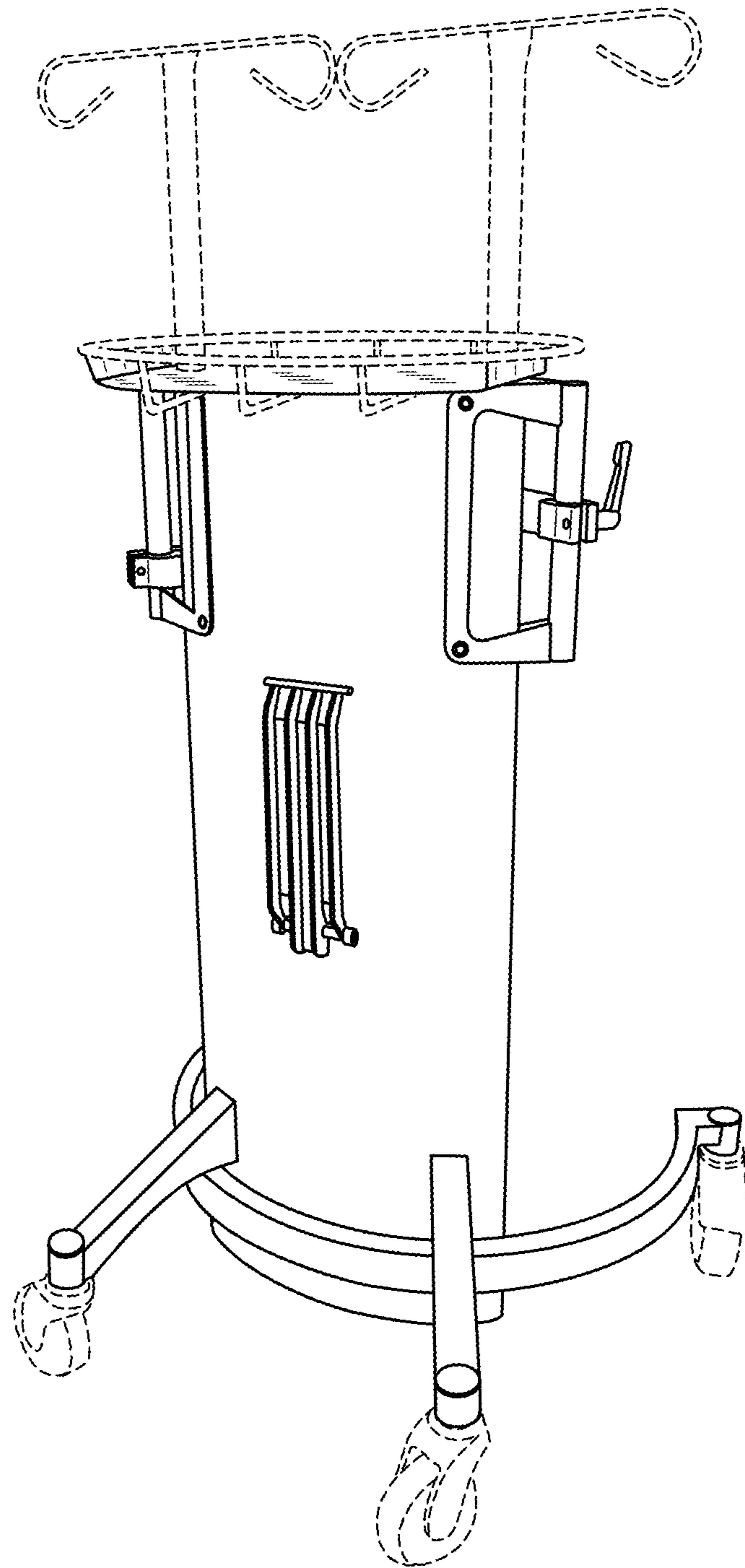


FIG. 2

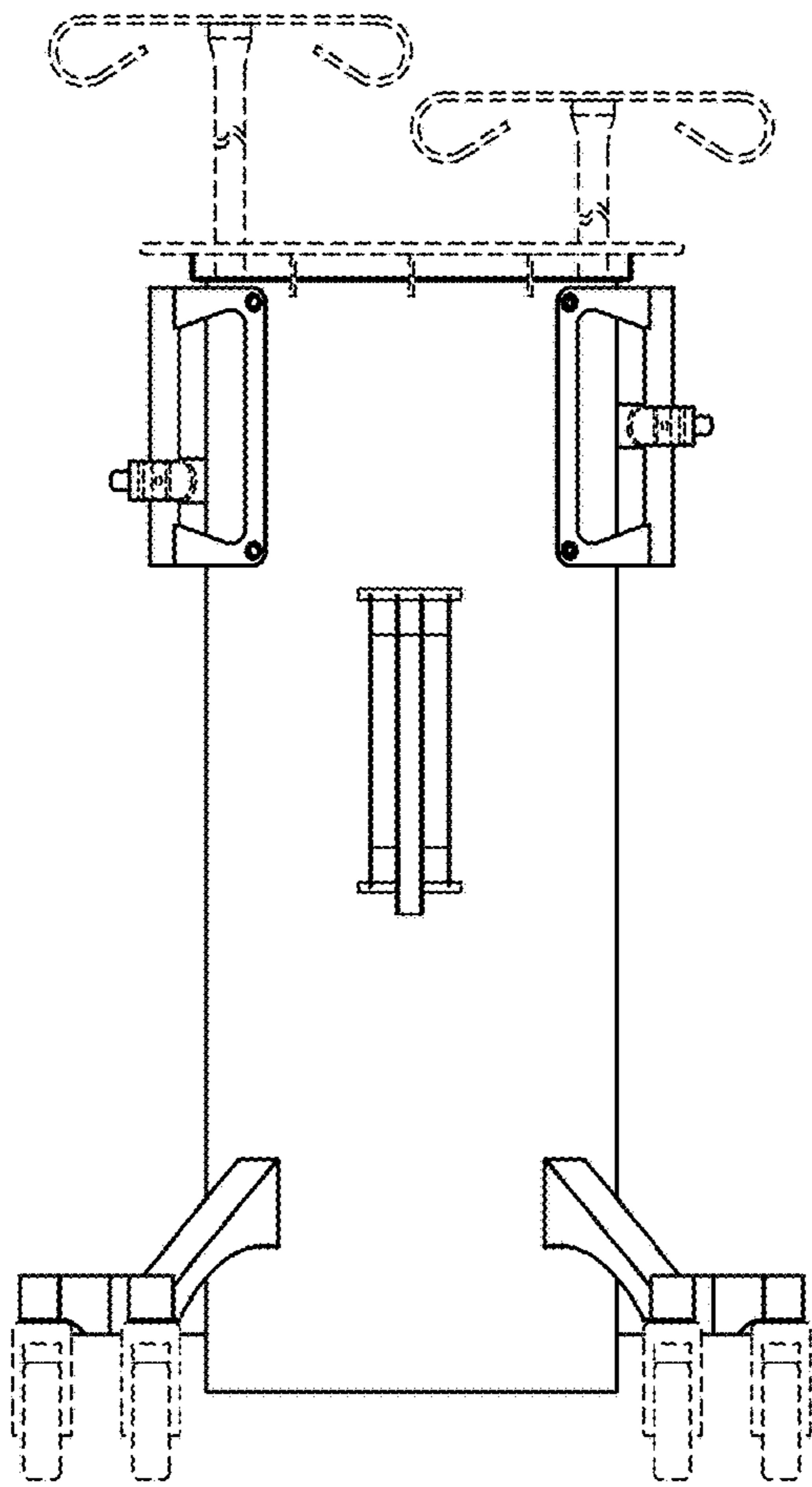


FIG. 3

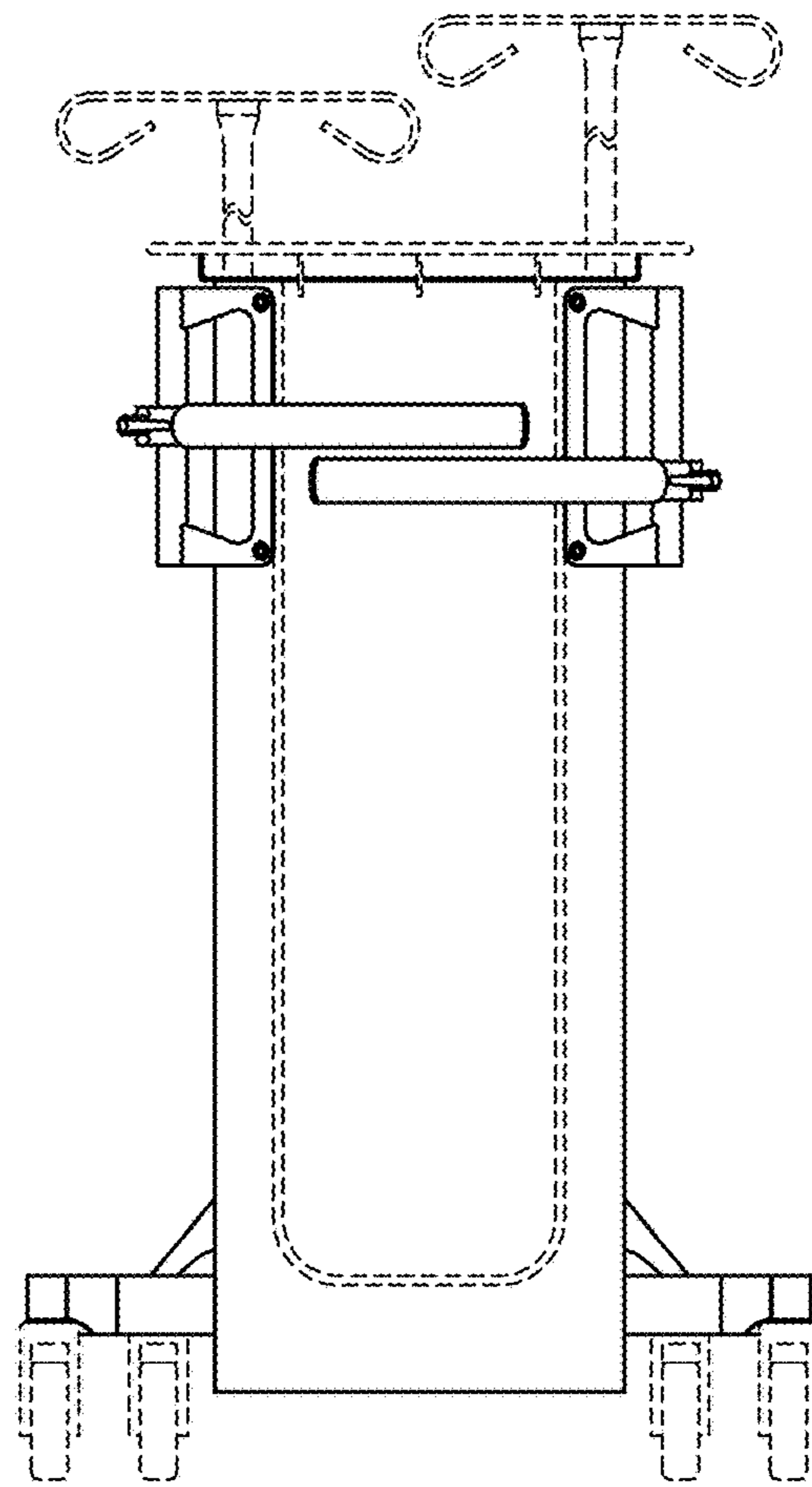


FIG. 4

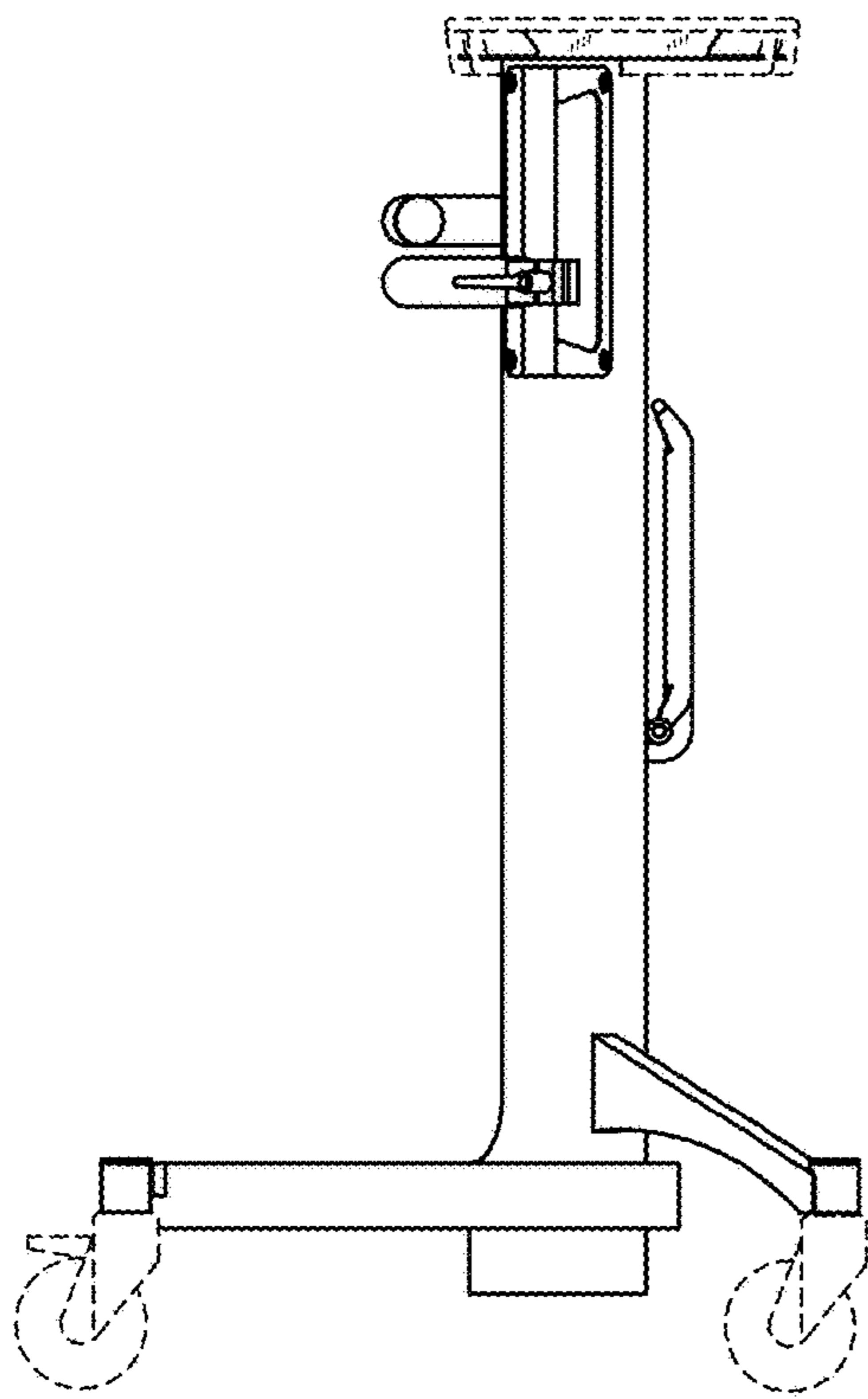


FIG. 5

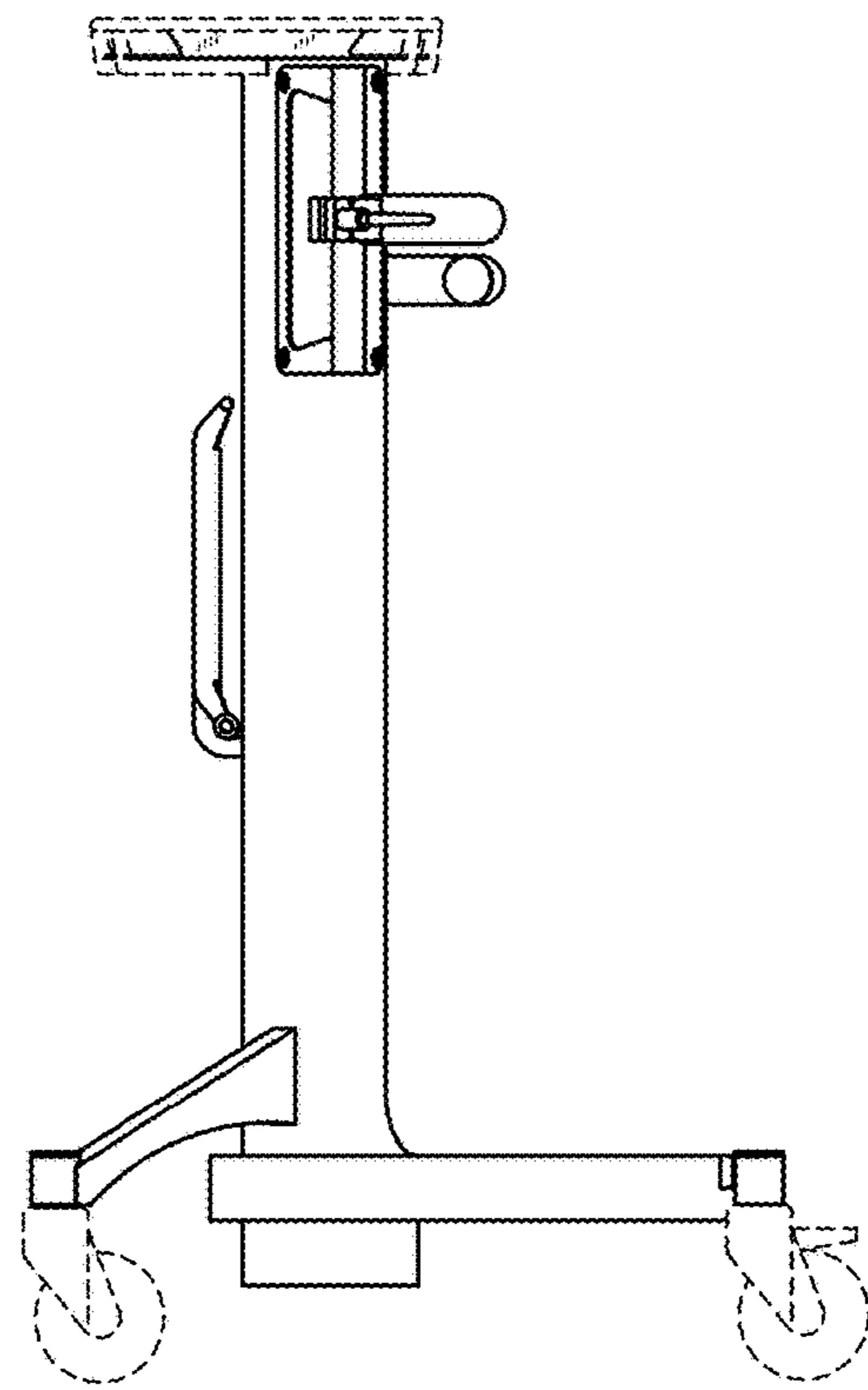


FIG. 6

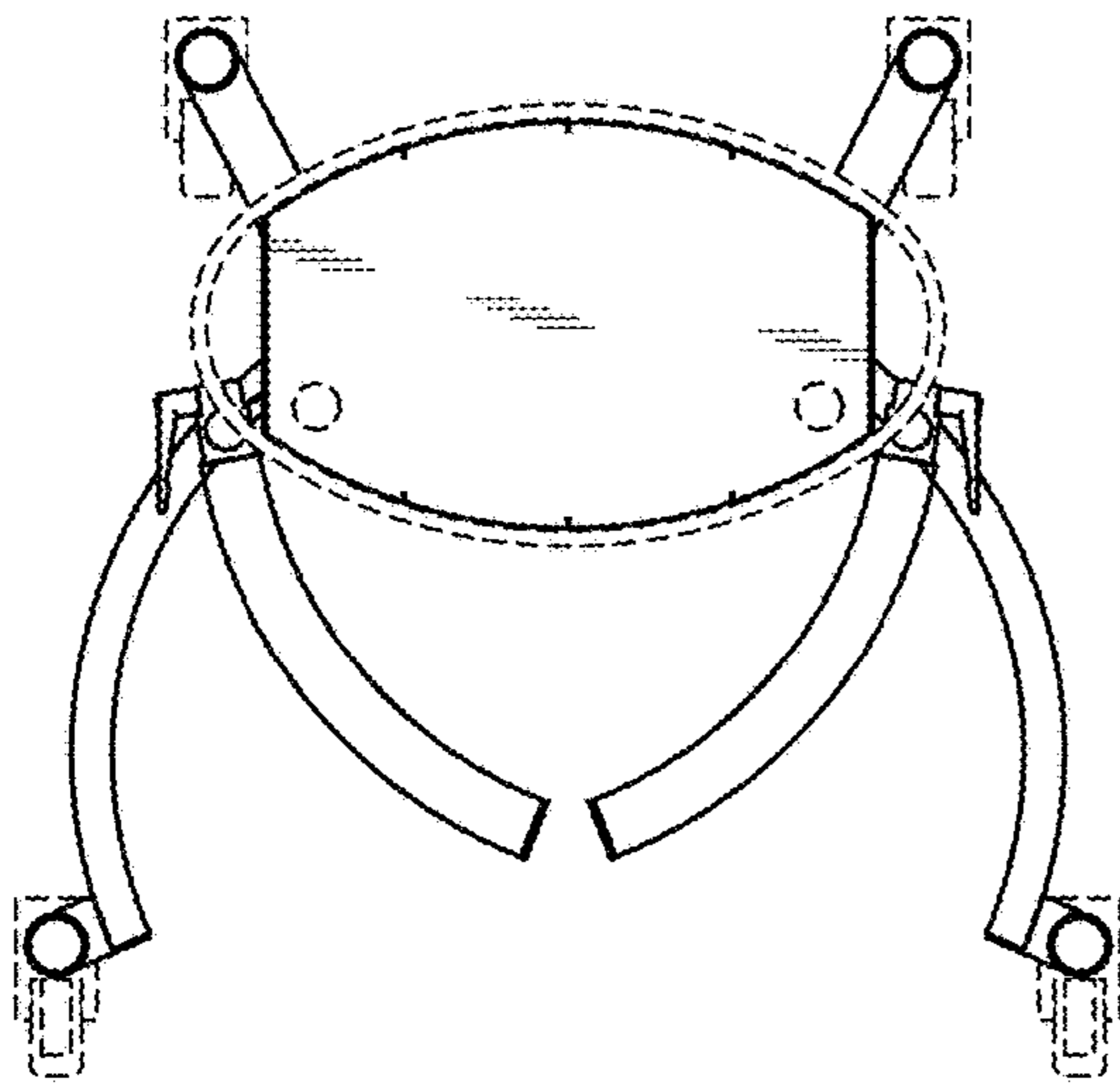


FIG. 7

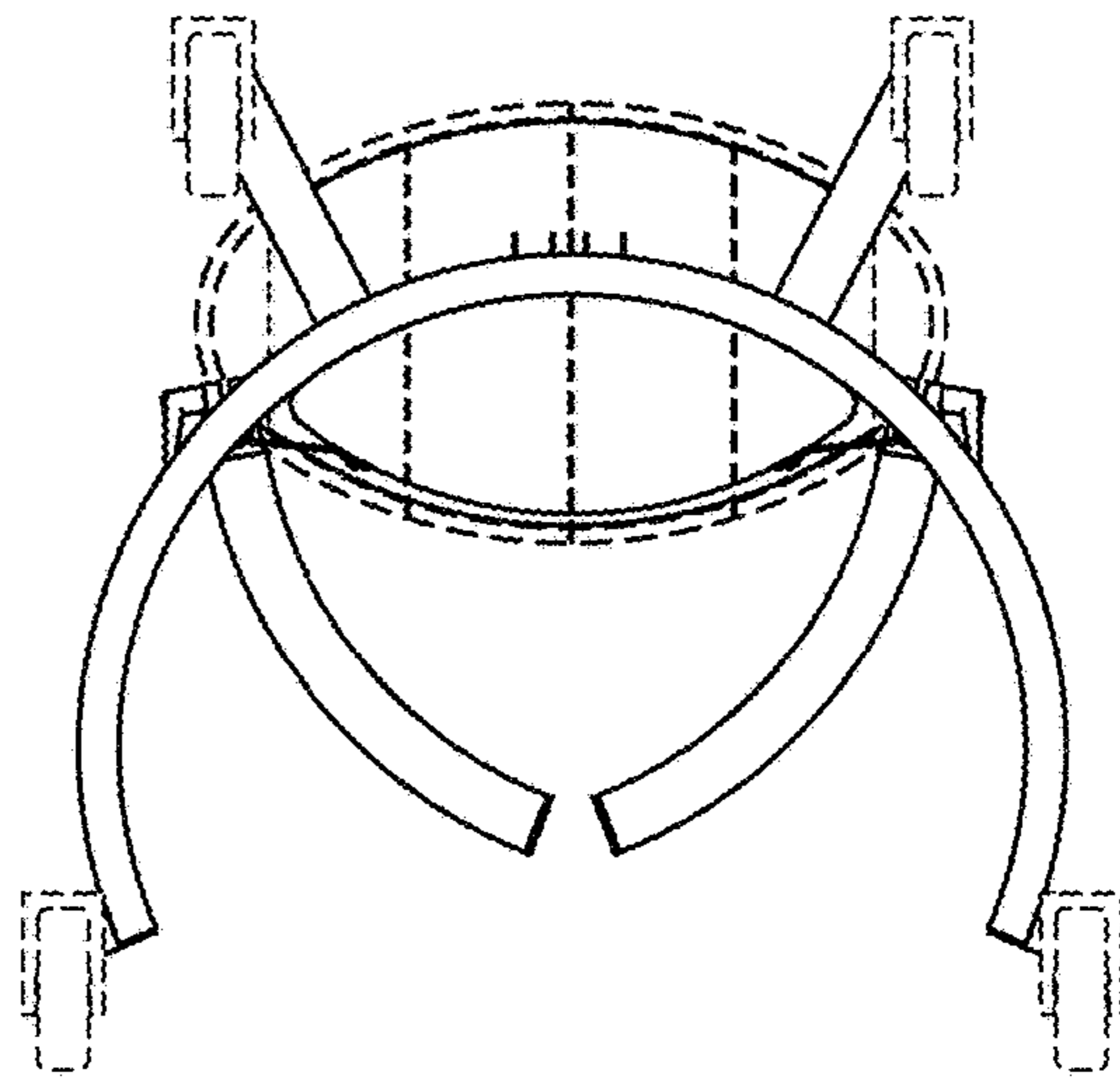


FIG. 8