



US00D816848S

(12) **United States Design Patent**
Cole et al.

(10) **Patent No.:** **US D816,848 S**

(45) **Date of Patent:** **** May 1, 2018**

(54) **CLAMP FOR SURGICAL SUPPORT TABLE**

(71) Applicant: **Innovative Medical Products, Inc.**,
Plainville, CT (US)

(72) Inventors: **Earl Cole**, Prospect, CT (US); **Tim Blackwell**, Jupiter, FL (US)

(73) Assignee: **INNOVATIVE MEDICAL PRODUCTS, INC.**, Plainville, CT (US)

(**) Term: **15 Years**

(21) Appl. No.: **29/568,005**

(22) Filed: **Jun. 14, 2016**

Related U.S. Application Data

(63) Continuation-in-part of application No. 15/050,290, filed on Feb. 22, 2016.

(51) **LOC (11) Cl.** **24-01**

(52) **U.S. Cl.**
USPC **D24/184**

(58) **Field of Classification Search**
USPC D24/128, 135, 183-184; D8/72-73, 394, D8/396, 397; 5/600, 601, 607, 621-624,
(Continued)

(56) **References Cited**

U.S. PATENT DOCUMENTS

4,901,964 A * 2/1990 McConnell A61G 13/101
24/514
5,320,314 A * 6/1994 Bookwalter A61B 17/02
24/525

(Continued)

Primary Examiner — Ian Simmons

Assistant Examiner — Mark Cavanna

(74) *Attorney, Agent, or Firm* — Damian Wasserbauer,
Esq.; Wasserbauer Law LLC

(57) **CLAIM**

The ornamental design for a clamp for surgical support table, as shown and described.

DESCRIPTION

FIG. 1 is a perspective view of a clamp for surgical support table in the environment of clamping a strap to the rail of the surgical support table;

FIG. 2 is a perspective, bottom view the clamp for surgical support table of the present invention;

FIG. 3 is a front view of the clamp for surgical support table of the present invention;

FIG. 4 is a back view the clamp for surgical support table of the present invention;

FIG. 5 is a side view of the clamp for surgical support table of the present invention;

FIG. 6 is a side view of the clamp for surgical support table of the present invention;

FIG. 7 is a top view of the clamp for surgical support table of the present invention;

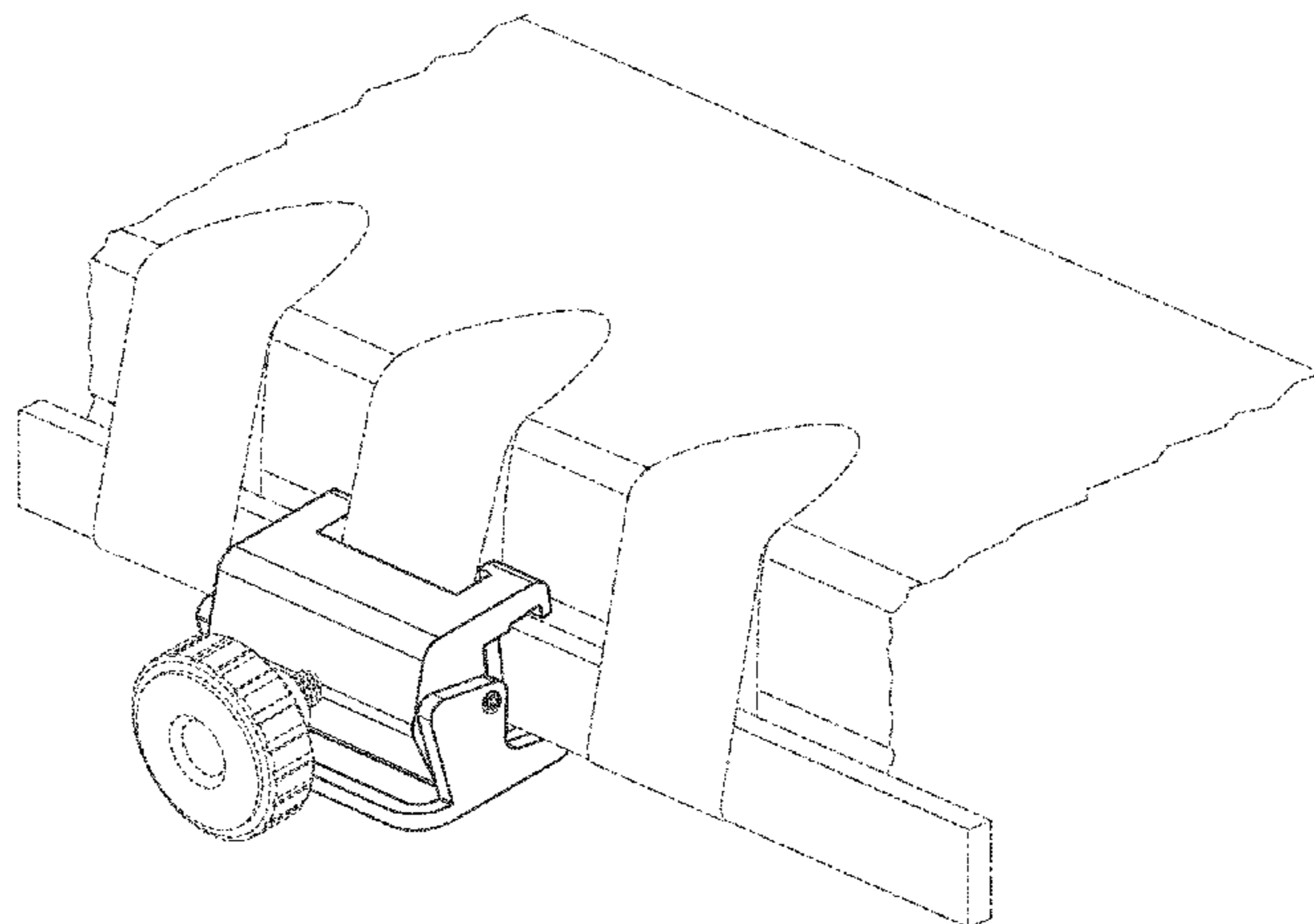
FIG. 8 is a bottom view of the clamp for surgical support table of the present invention;

FIG. 9 is a side, perspective view of the clamp for surgical support table in the environment of operably connecting the clamp and jaw lever in the open position to the rail of the surgical support table of the present invention; and,

FIG. 10 is a side, perspective view of the clamp for surgical support table in the environment of operably connecting the clamp and jaw lever in the closed position to the rail of the surgical support table of the present invention.

The broken lines for a rail of a surgical support and/or operating room table, the surgical support and/or operating room table, and a patient positioning pad including straps of the patient positioning pad shown attached around the rail of the support table showing of FIG. 1 is for the purpose of illustrating the environmental structure and forms no part of the claimed design. The broken lines in FIGS. 1-10 for the knob and swivel screw form no part of the present invention and are unclaimed. The broken lines in FIGS. 9-10 for the rail of a surgical support and/or operating room table form no part of the present invention and are unclaimed.

1 Claim, 9 Drawing Sheets



(58) **Field of Classification Search**

USPC 5/503.1, 637, 646, 648, 658;
 248/228.3–228.6, 229.1, 229.2,
 248/229.12–229.14, 229.22–229.24,
 248/231.4, 231.61, 316.4, 214; 24/525,
 24/455, 457, 458, 514, 535; 403/385,
 403/400, DIG. 9
 CPC A61B 17/02; A61B 34/30; A61B 34/71;
 A61B 50/10; A61B 50/14; A61B 50/50;
 A61B 50/57; A61B 6/0421; A61B 90/57;
 A61G 13/0063; A61G 13/101; A61G
 13/1245; A61G 13/10; A61G 7/0503;
 A61G 7/0507; A61G 7/0518; A61G
 7/0525; B25B 5/10; B25B 5/103; B65G
 21/2072; F16B 2/10; F16B 2/12; F16B
 2/14; F16B 2/185; F16M 11/045; F16M
 11/046; F16M 13/02; F16M 13/022
 See application file for complete search history.

(56) **References Cited**

U.S. PATENT DOCUMENTS

5,535,973 A * 7/1996 Bailey A61G 13/101
 248/214
 5,701,991 A * 12/1997 Helmsie B65G 21/2072
 248/229.13
 6,023,800 A * 2/2000 Stickley A61G 7/0507
 5/503.1

6,499,158 B1 * 12/2002 Easterling F16M 13/02
 5/600
 6,598,275 B1 * 7/2003 Kolody A61G 13/101
 24/457
 7,003,827 B2 * 2/2006 Demayo A61G 13/10
 5/601
 7,159,832 B2 * 1/2007 Easterling F16M 13/02
 24/455
 D584,816 S * 1/2009 Koros D24/135
 7,566,038 B2 * 7/2009 Scott A61G 13/101
 24/535
 D606,832 S * 12/2009 Wan D8/72
 7,686,267 B2 * 3/2010 DaSilva A61B 17/02
 248/229.12
 7,836,532 B2 * 11/2010 Schule A61B 90/57
 5/637
 8,051,515 B1 * 11/2011 Kring A61G 13/101
 248/228.3
 8,621,692 B1 * 1/2014 Kring A61G 13/101
 248/228.3
 8,782,832 B2 * 7/2014 Blyakher A61B 6/0421
 5/623
 D712,040 S * 8/2014 Schuerch D24/184
 9,022,334 B1 * 5/2015 DeMayo F16M 13/022
 248/229.22
 9,566,201 B2 * 2/2017 Yu A61G 7/0503
 9,585,806 B2 * 3/2017 Herrig F16B 2/12
 2016/0281920 A1 * 9/2016 Perez A61G 13/1245

* cited by examiner

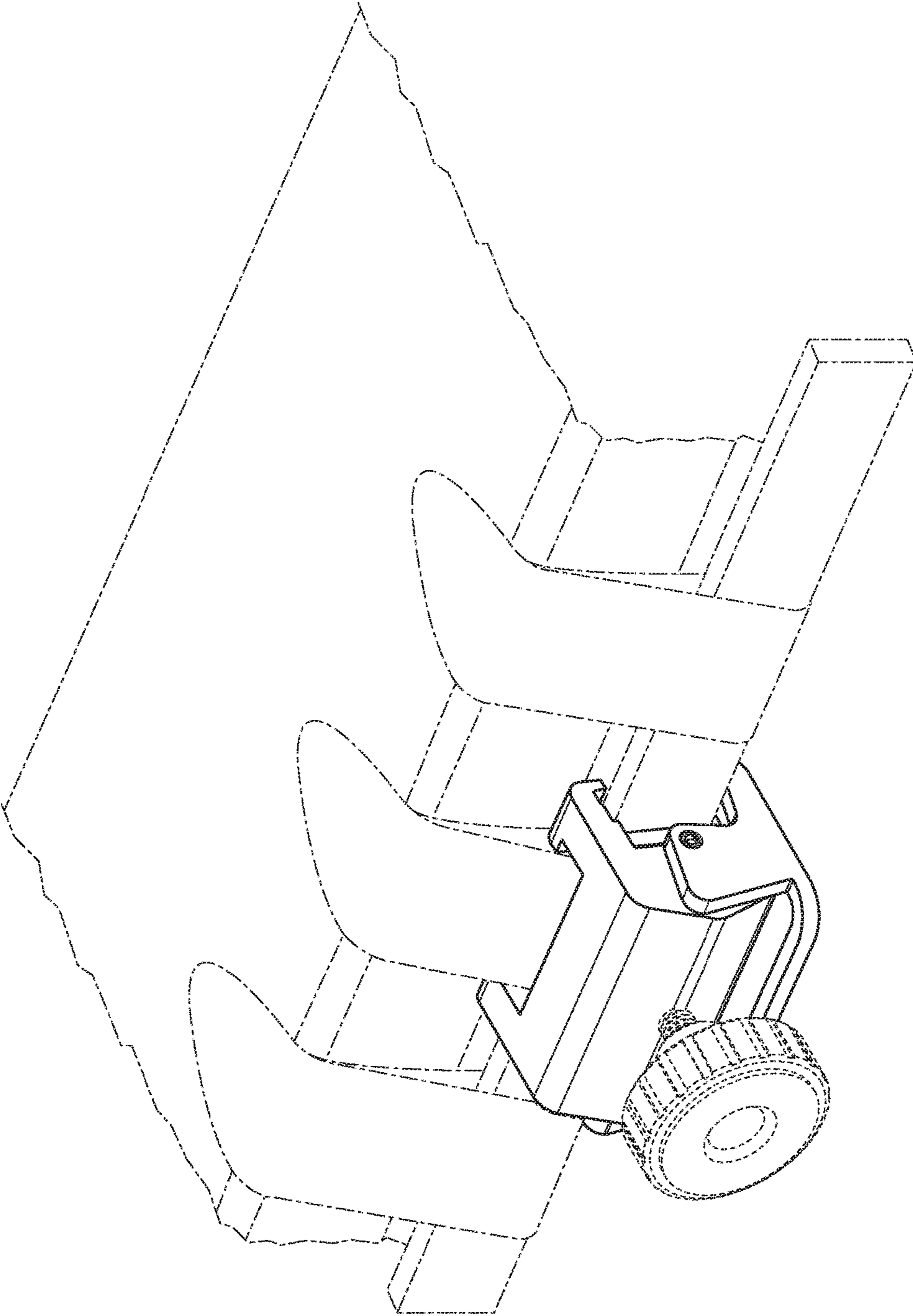


FIG. 1

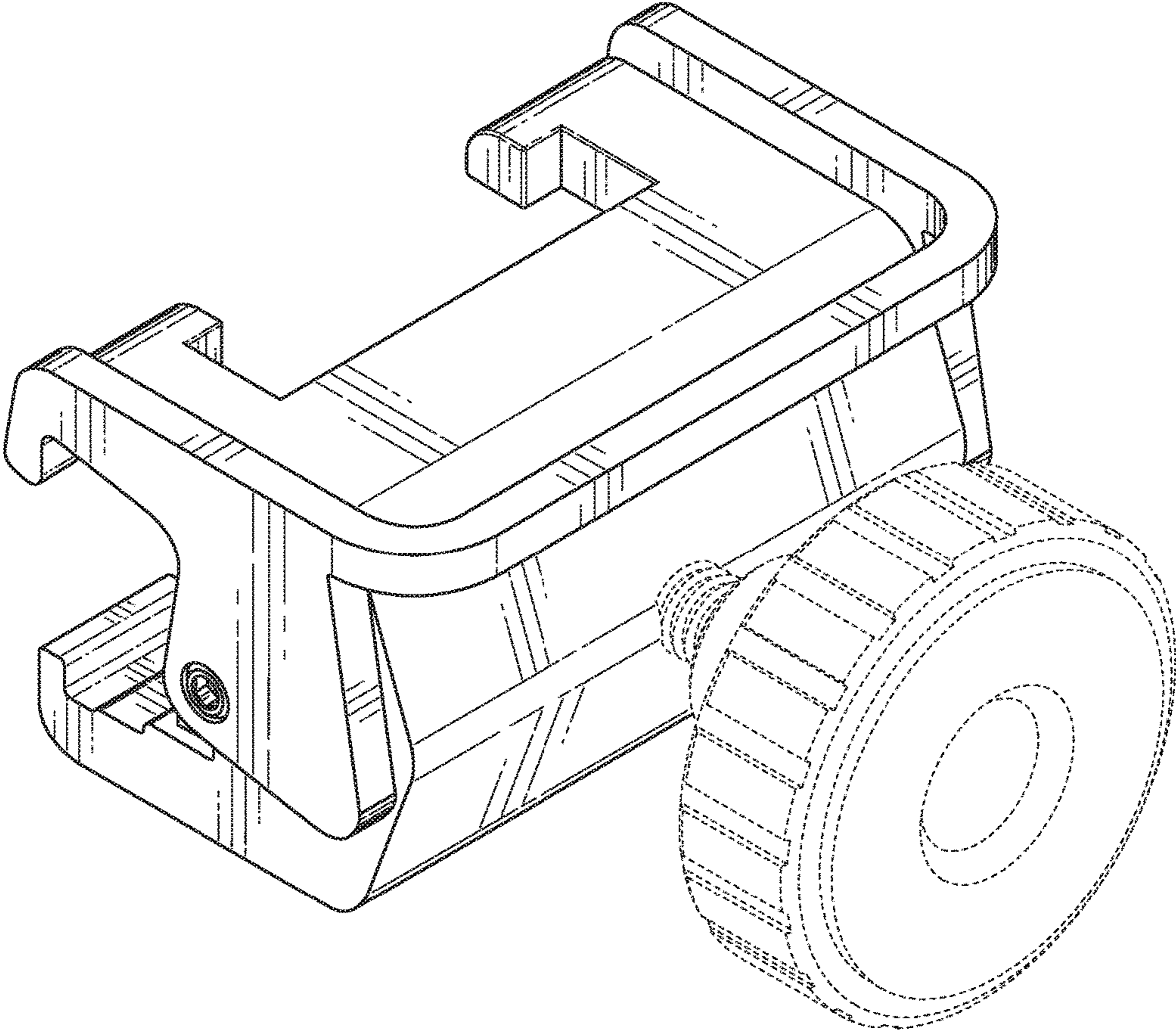


FIG. 2

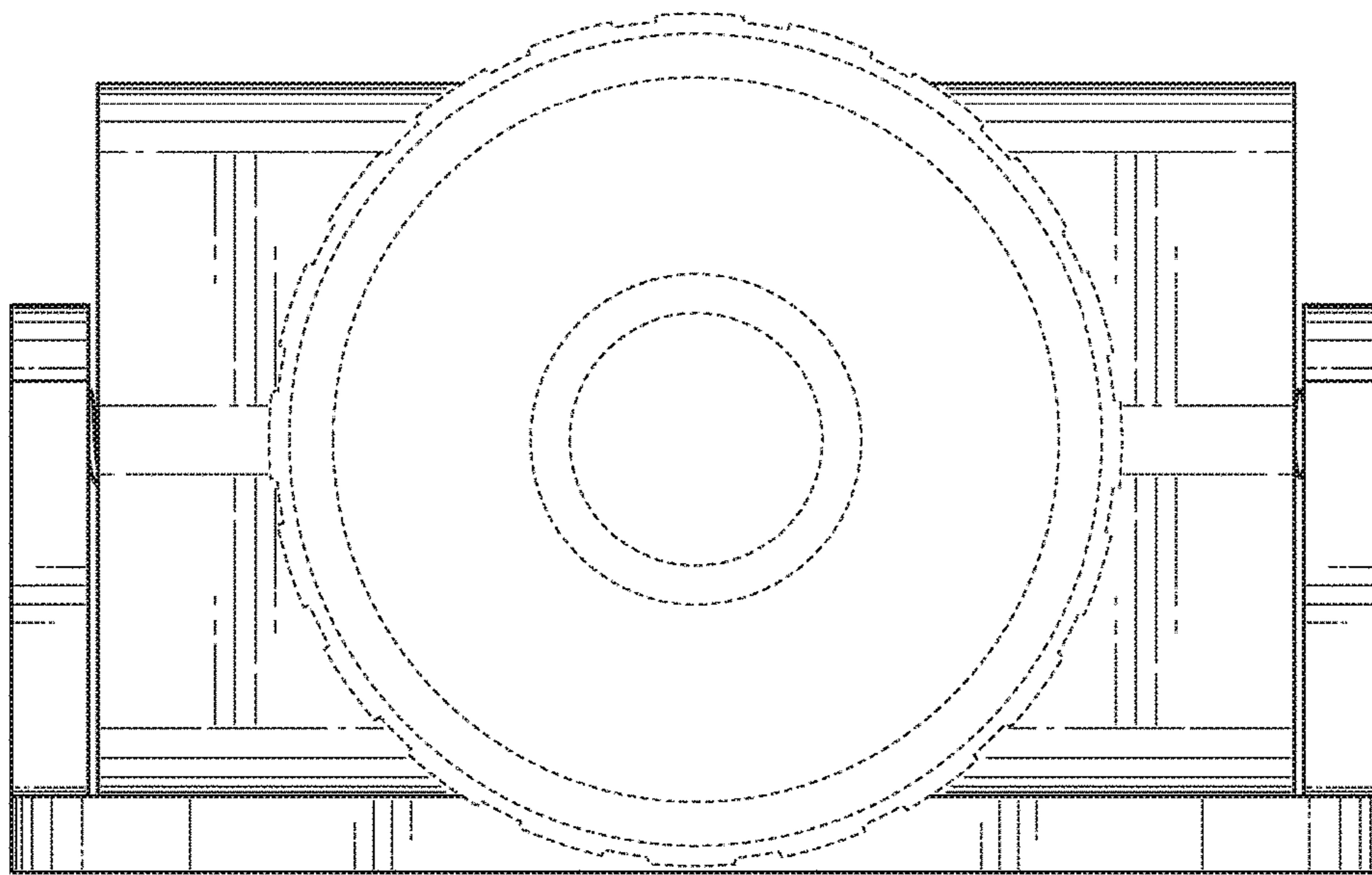


FIG. 3

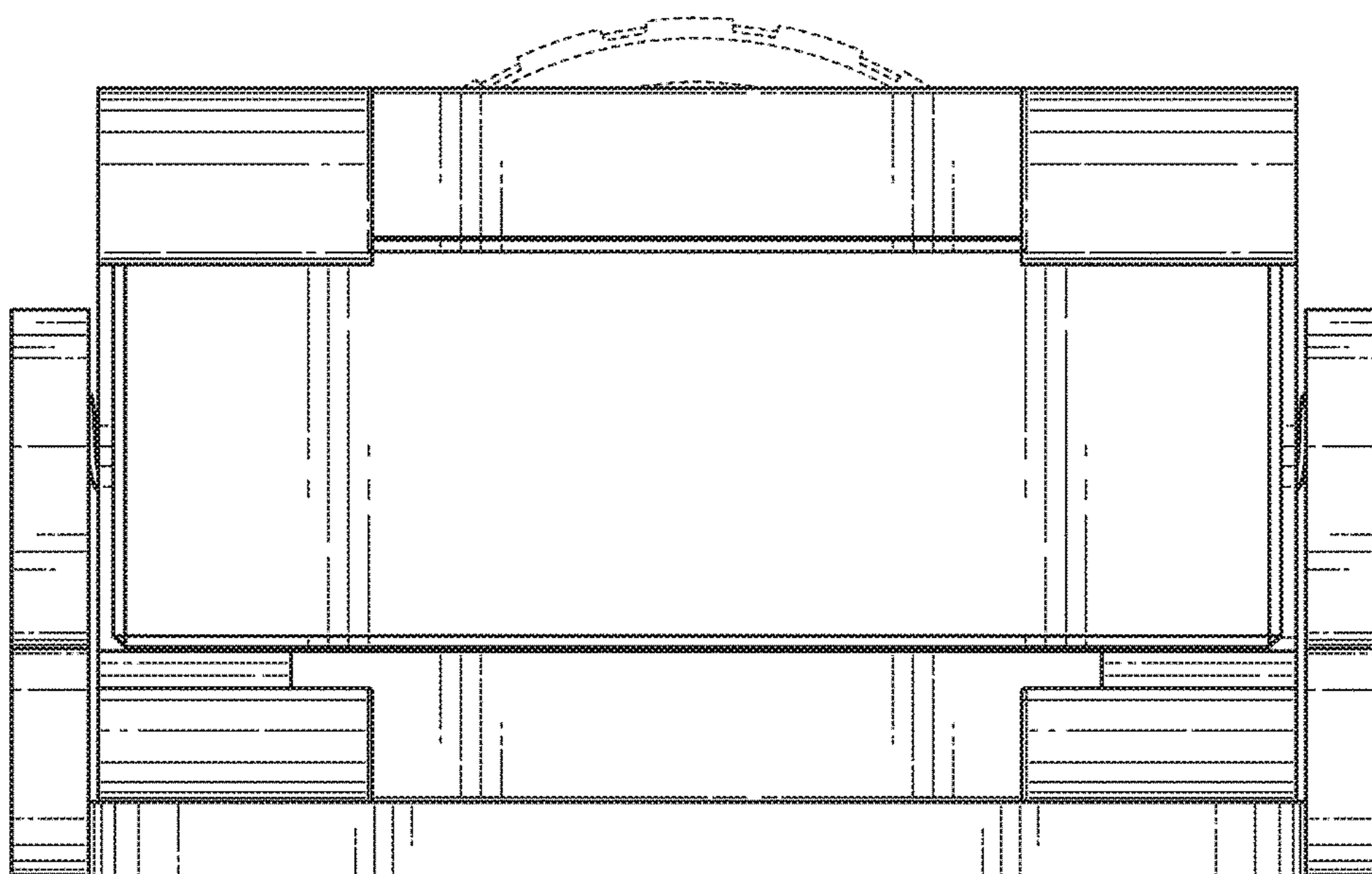


FIG. 4

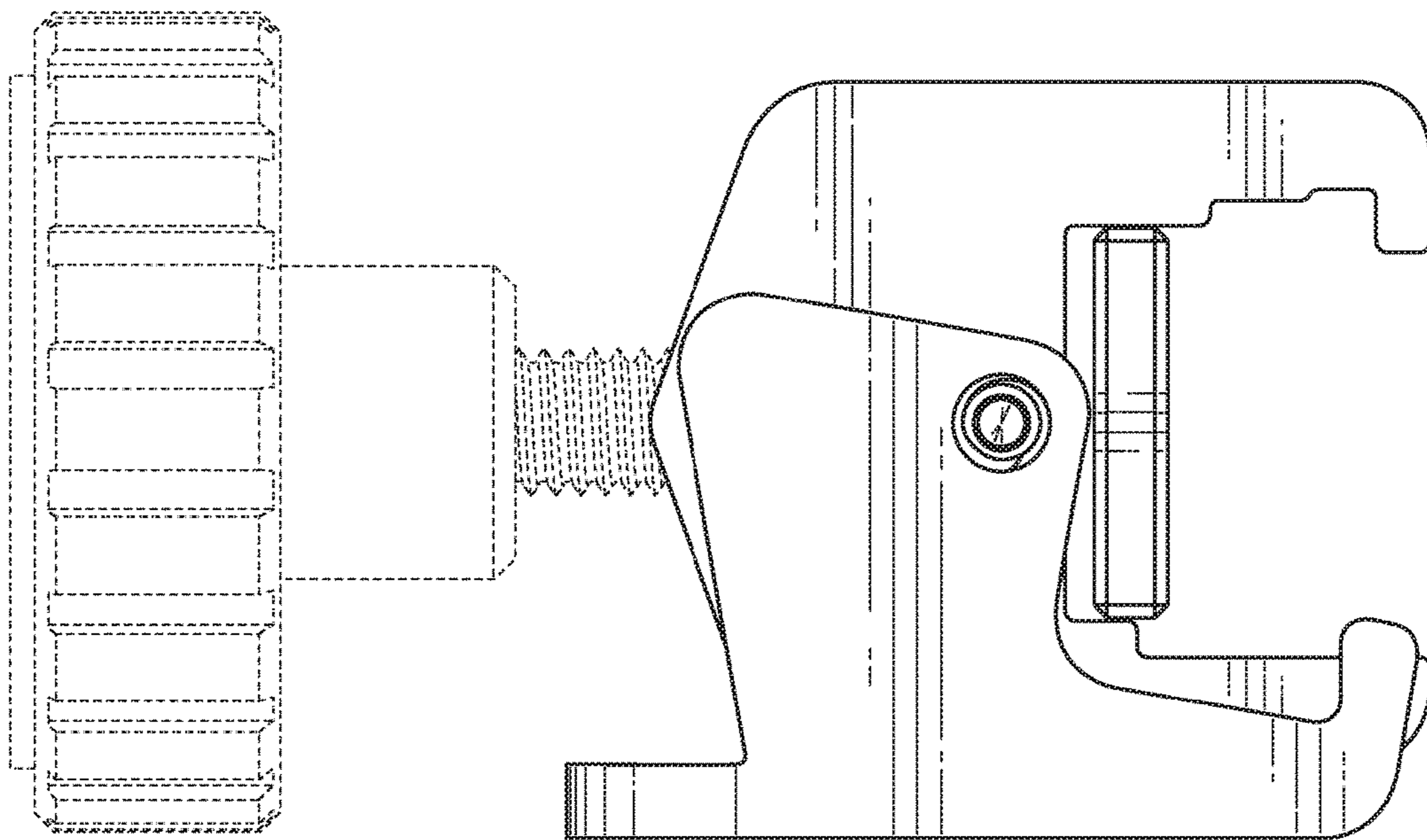


FIG. 5

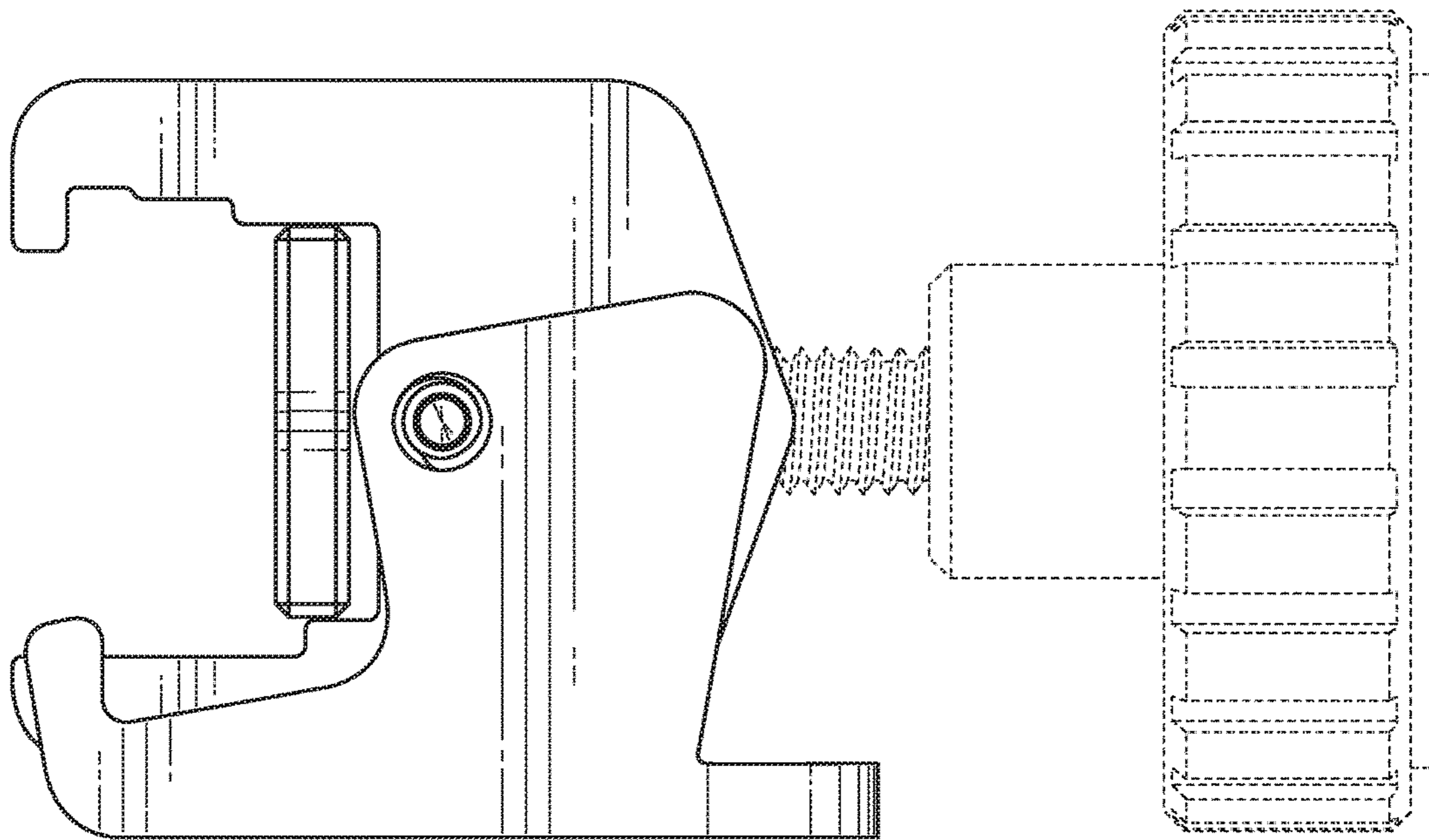


FIG. 6

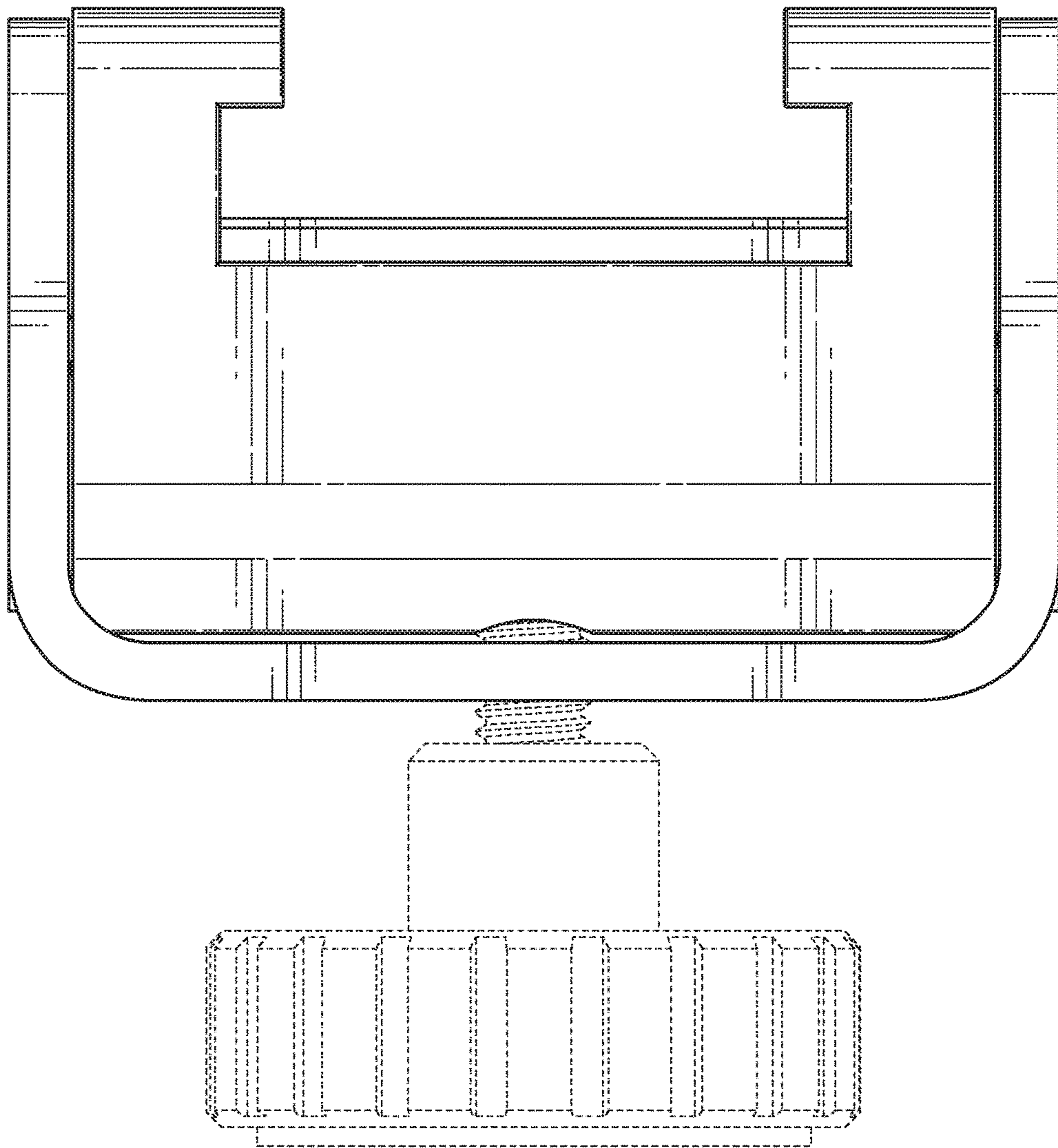


FIG. 7

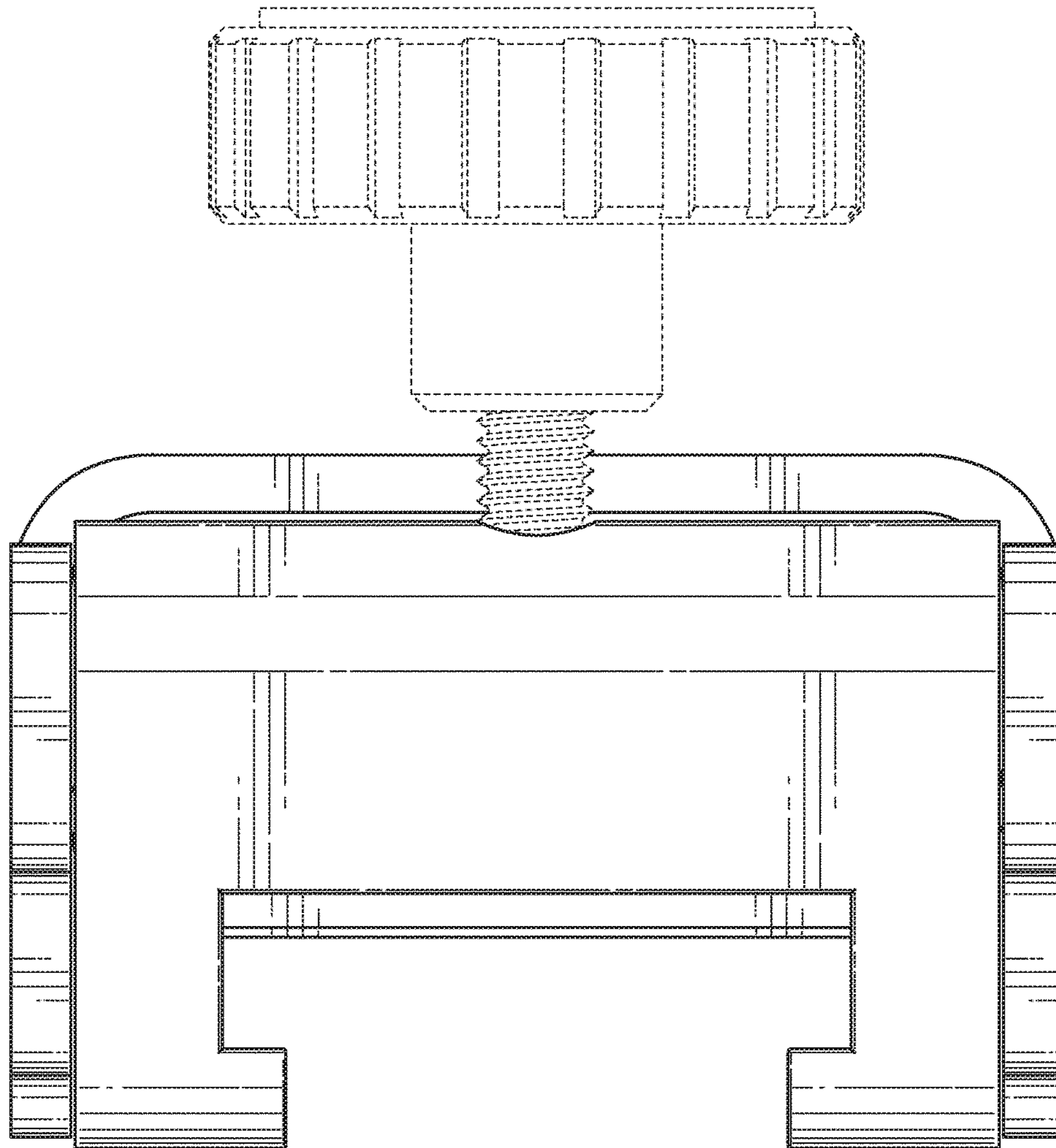


FIG. 8

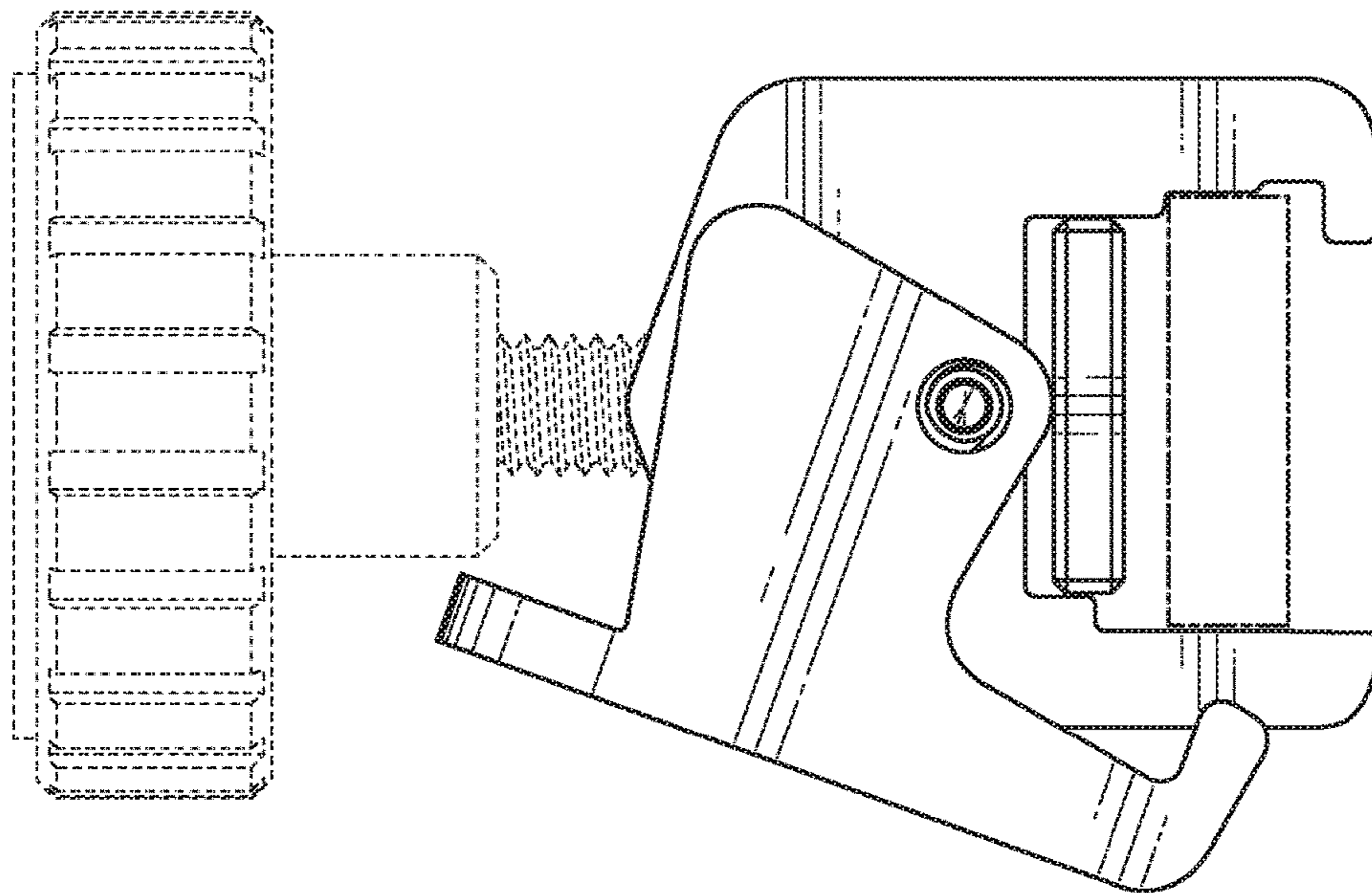


FIG. 9

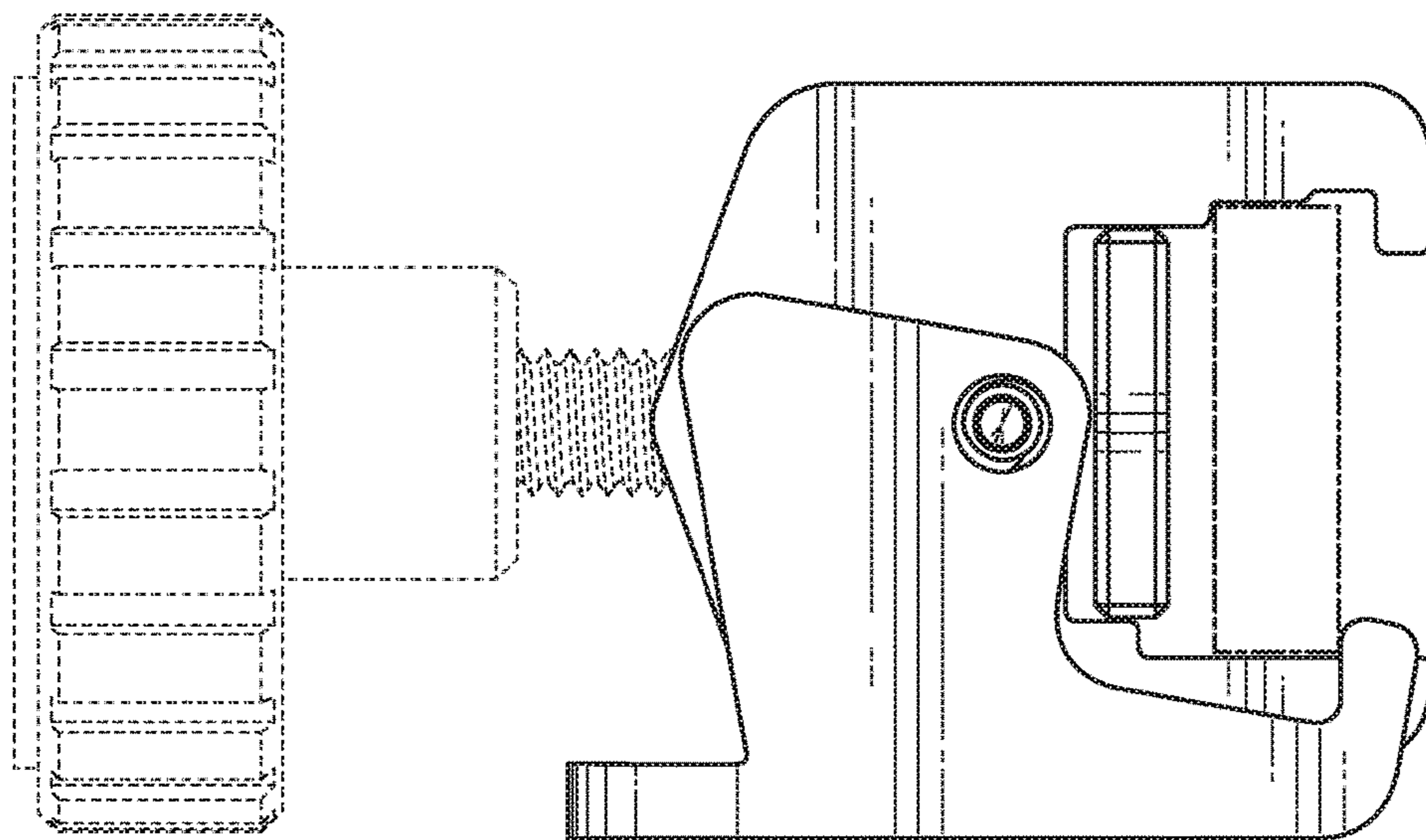


FIG. 10