



US00D816846S

(12) **United States Design Patent** (10) **Patent No.:** **US D816,846 S**
Holland et al. (45) **Date of Patent:** **** May 1, 2018**

(54) FILTRATING SPIKE	4,317,445 A * 3/1982 Robinson A61M 25/0693 604/168.01
(71) Applicant: Neogen Corpotion , Lansing, MI (US)	D267,270 S * 12/1982 Mittleman D24/112
(72) Inventors: James Braxton Holland , Clinton, NC (US); James Curtis Biggs, III , Goldsboro, NC (US); Paul C. Carney , Oakfield, NY (US)	D268,698 S * 4/1983 Knute D24/112 D272,850 S * 2/1984 Kulle D24/112 4,585,435 A * 4/1986 Vaillancourt A61M 5/1408 604/126
(73) Assignee: NEOGEN CORPORATION , Lansing, MI (US)	D300,177 S * 3/1989 Bellotti D24/129 D314,051 S * 1/1991 Berglund D24/129 D351,230 S * 10/1994 Rakin D24/162 5,393,497 A * 2/1995 Haber A61J 1/2089 137/68.11

(Continued)

(**) Term: **15 Years**

(21) Appl. No.: **29/570,842**

(22) Filed: **Jul. 12, 2016**

Related U.S. Application Data

(62) Division of application No. 29/480,656, filed on Jan. 28, 2014, now Pat. No. Des. 775,341.

(51) **LOC (11) Cl.** **24-00**

(52) **U.S. Cl.**
USPC **D24/162**

(58) **Field of Classification Search**
USPC ... D24/162, 112, 129, 108, 122, 130, 110.6, D24/110.5, 113, 110, 224; 604/411, 604/168.01, 272, 264, 126; 137/68.11; D23/209; 128/898
CPC A61J 2001/201; A61J 1/2089; A61M 25/0693; A61M 5/3286; A61M 5/162; A61M 5/1408; A22C 17/0053; A61B 17/1671
See application file for complete search history.

(56) **References Cited**

U.S. PATENT DOCUMENTS

2,746,455 A * 5/1956 Abel A61M 5/162
604/411
D208,838 S * 10/1967 Amand D24/112

OTHER PUBLICATIONS

Drawings of Prima Tech, USA, Remote Draw-Off spike sold prior to Jan. 28, 2013.

Primary Examiner — Rhea Shields

(74) *Attorney, Agent, or Firm* — Honigman Miller Schwartz and Cohn LLP; Douglas H. Siegel; Jonathan P. O'Brien

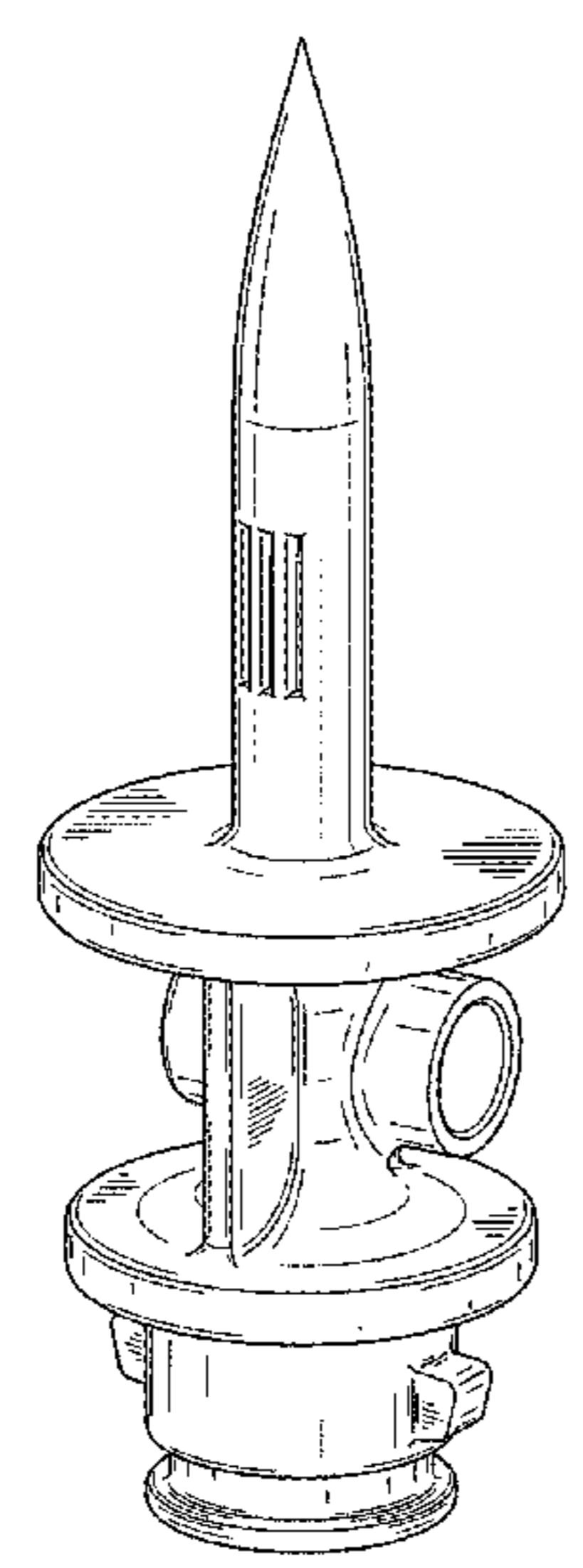
(57) **CLAIM**

The ornamental design for a filtrating spike, as shown and described.

DESCRIPTION

FIG. 1 is a left-front isometric view of a filtrating spike, showing our new design;
FIG. 2 is a front elevational view of the filtrating spike;
FIG. 3 is a back elevational view of the filtrating spike;
FIG. 4 is a right side elevational view of the filtrating spike;
FIG. 5 is a left side elevational view of the filtrating spike;
FIG. 6 is a top view of the filtrating spike; and,
FIG. 7 is a bottom view of the filtrating spike.
In the drawings, the broken lines are for the purpose of illustrating environment only and form no part of the claimed design.

1 Claim, 4 Drawing Sheets



(56)

References Cited

U.S. PATENT DOCUMENTS

D357,733 S * 4/1995 Matkovich D24/112
5,484,437 A * 1/1996 Michelson A61B 17/1671
128/898
D380,543 S * 7/1997 Piontek D24/108
D416,086 S * 11/1999 Parris D24/112
D425,618 S * 5/2000 Niermann D24/122
D458,677 S * 6/2002 Farris D24/112
D469,869 S * 2/2003 Farris D24/112
D487,149 S * 2/2004 Farris D24/112
D615,648 S * 5/2010 Burke D24/130
D620,075 S * 7/2010 Yamaguchi D23/209
D634,007 S * 3/2011 Zinger D24/129
7,905,869 B2 * 3/2011 Prindle A22C 17/0053
604/264
D636,878 S * 4/2011 Lee D24/162
D681,816 S * 5/2013 Taylor D24/162
D692,555 S * 10/2013 Maksym D24/110
D692,556 S * 10/2013 Winter D24/110.6
D693,467 S * 11/2013 Doucette D24/162
D708,749 S * 7/2014 Appling D24/162
D709,188 S * 7/2014 Guala D24/130
D717,941 S * 11/2014 Mach D24/113
D728,784 S * 5/2015 Rogers D24/129
D729,344 S * 5/2015 Colussi D23/209
D765,837 S * 9/2016 Lev D24/129
D775,341 S * 12/2016 Holland D24/162
D777,940 S * 1/2017 Peltosaari D24/224

* cited by examiner

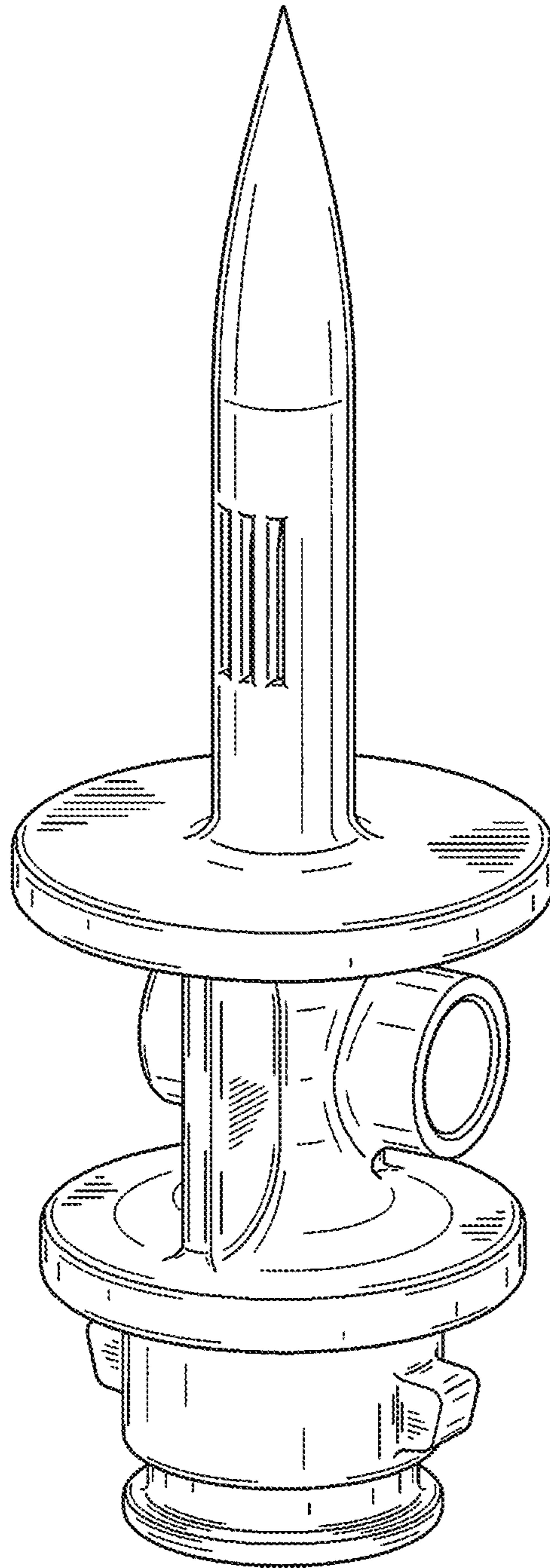


FIG. 1

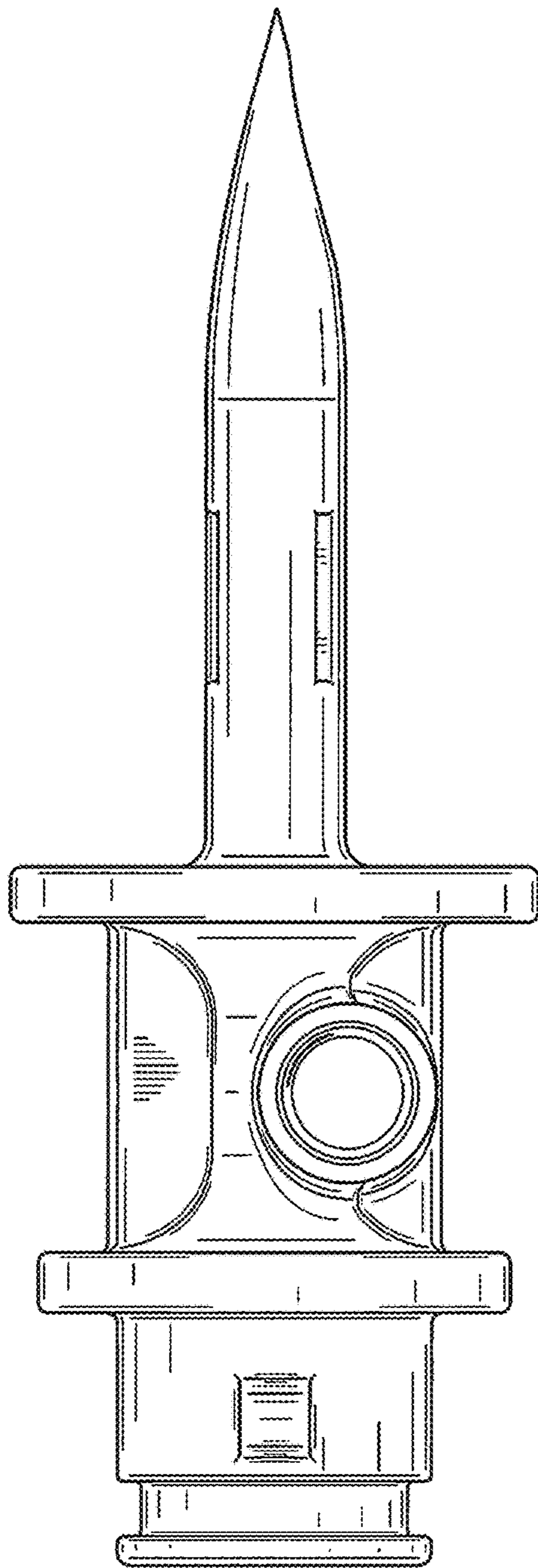


FIG. 2

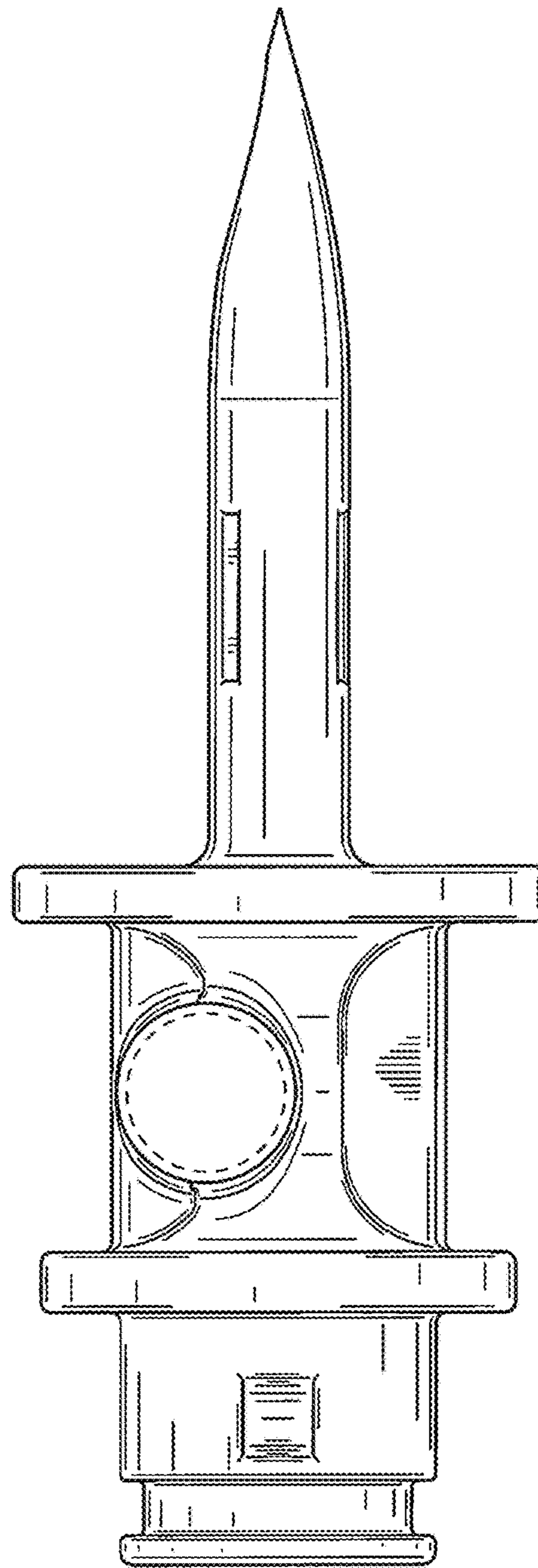


FIG. 3

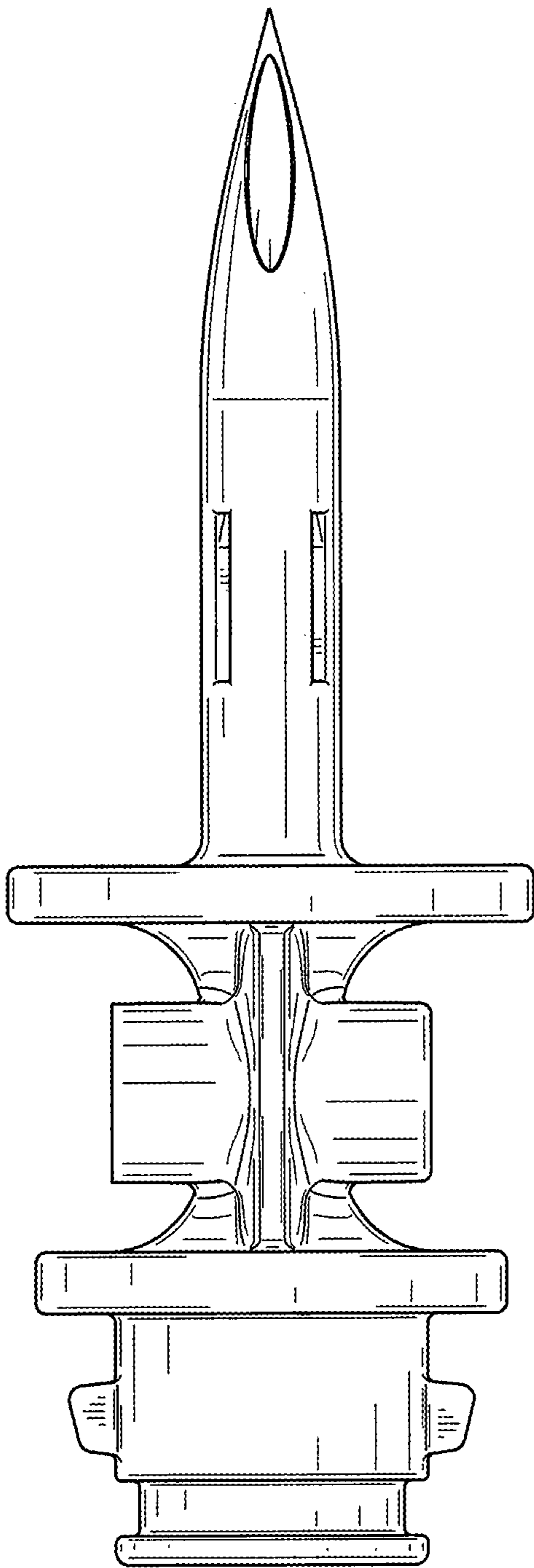


FIG. 4

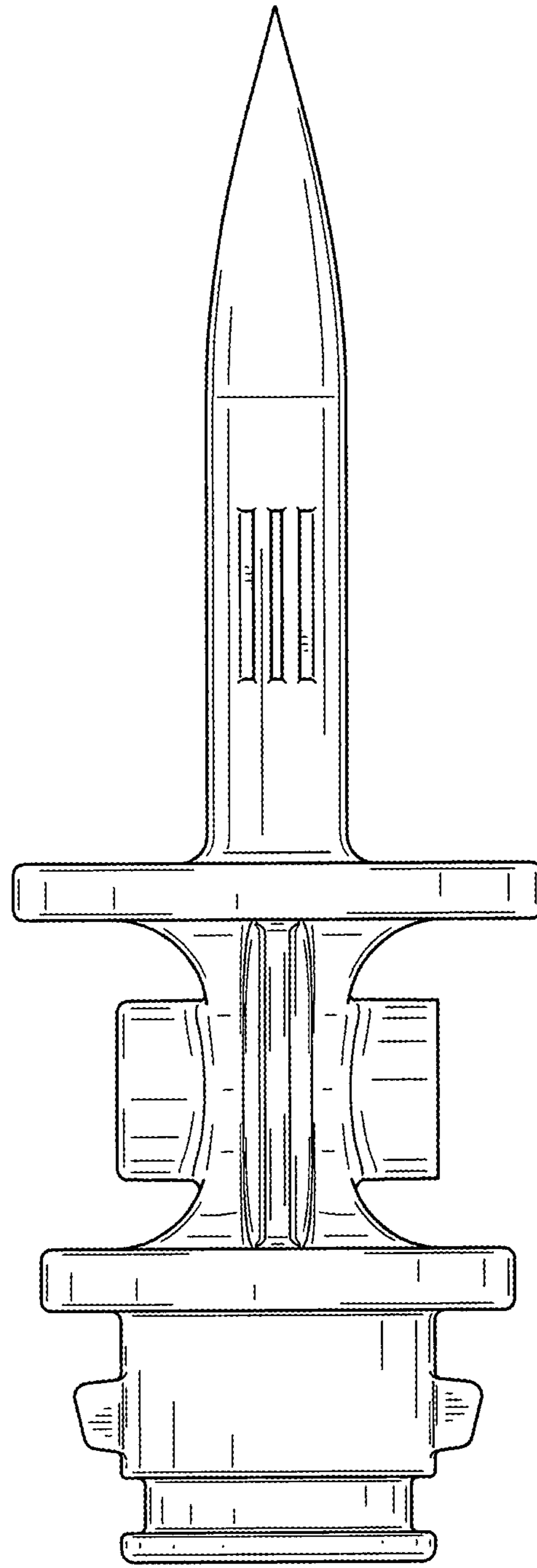


FIG. 5

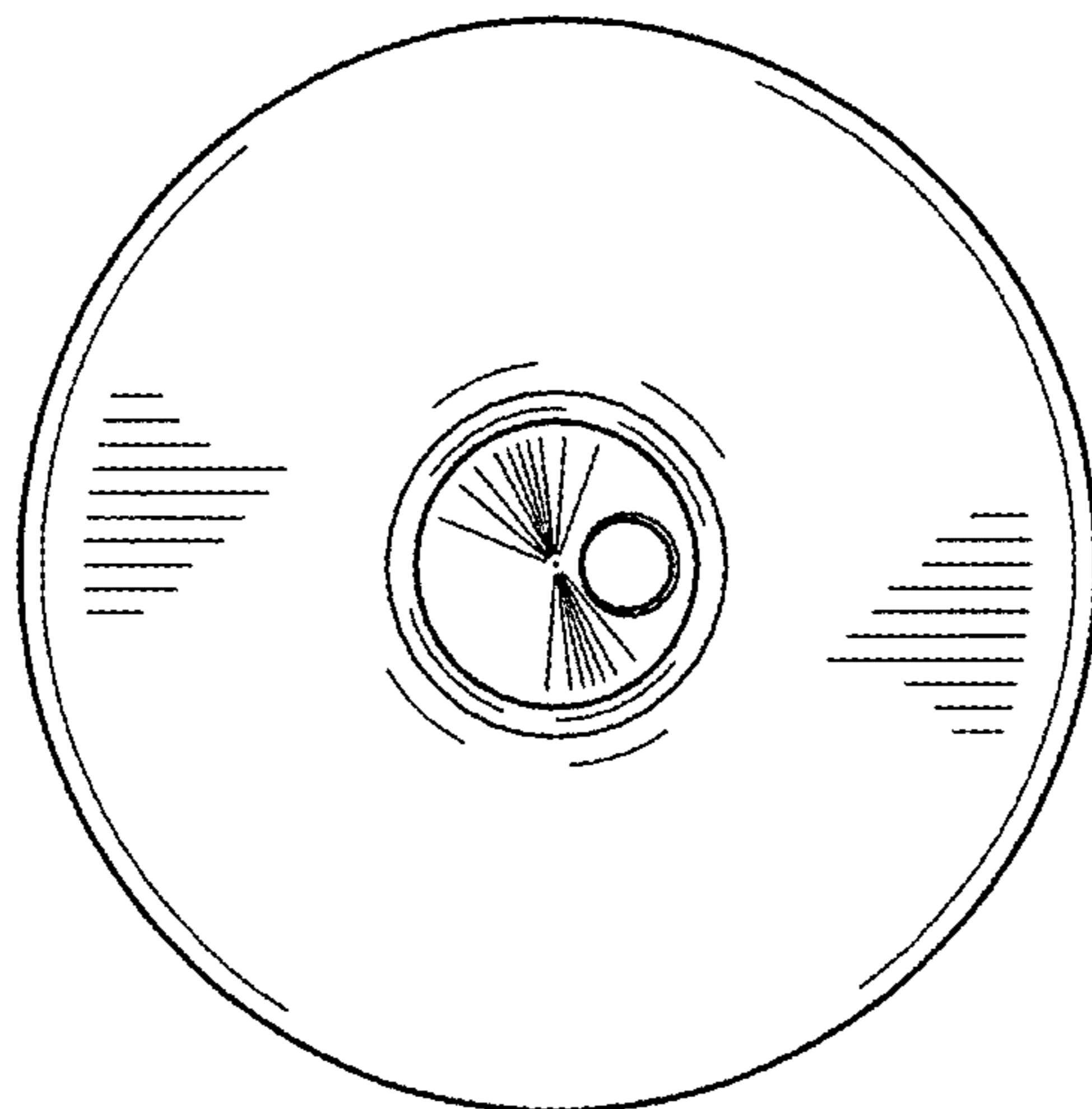


FIG. 6

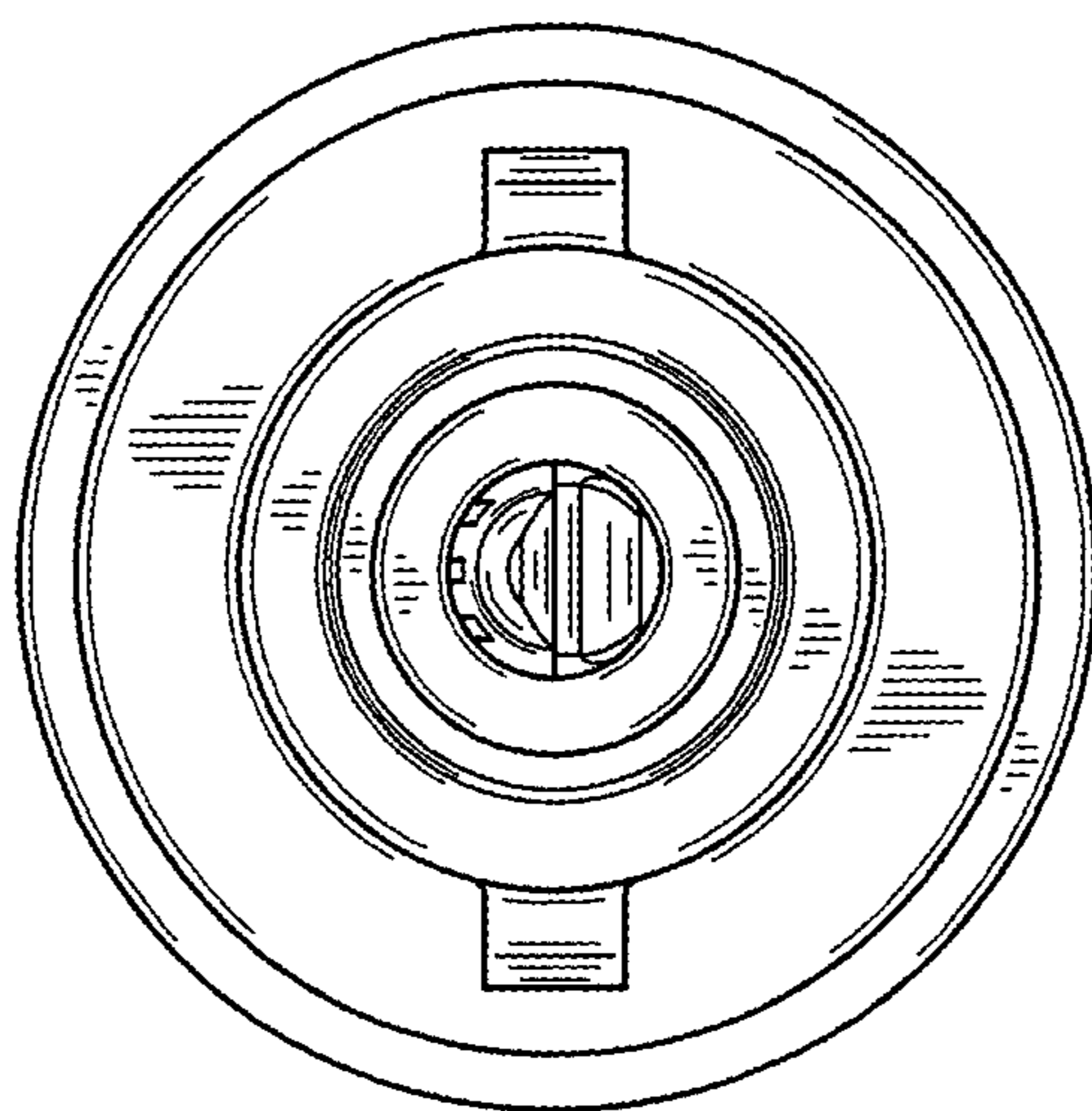


FIG. 7