



US00D816844S

(12) **United States Design Patent** (10) **Patent No.:** **US D816,844 S**  
**Ricca et al.** (45) **Date of Patent:** **\*\* May 1, 2018**

(54) **LUMBAR INTERBODY IMPLANT**

(71) Applicant: **American Medical Ortho Systems LLC, Pangburn, AR (US)**

(72) Inventors: **Gregory F. Ricca, Searcy, AR (US); John C. Balenko, Pangburn, AR (US)**

(73) Assignee: **American Medical Ortho Systems LLC, Pangburn, AR (US)**

(\*\*) Term: **15 Years**

(21) Appl. No.: **29/609,269**

(22) Filed: **Jun. 29, 2017**

(51) **LOC (11) Cl.** ..... **24-02**

(52) **U.S. Cl.**  
USPC ..... **D24/155**

(58) **Field of Classification Search**  
USPC ..... D24/155  
CPC ..... A61F 2/4611; A61F 2/442; A61F 2/447; A61F 2220/0025; A61F 2310/00023; A61F 2310/00017; A61F 2002/4475; A61F 2002/30841; A61F 2002/2835; A61F 2002/30904; A61F 2002/30785; A61F 2002/443; A61F 2002/30578  
See application file for complete search history.

6,835,208 B2 12/2004 Marchosky  
D541,940 S 5/2007 Blain  
D619,719 S \* 7/2010 Pannu ..... D24/155  
D627,468 S \* 11/2010 Richter ..... D24/155  
7,828,849 B2 11/2010 Lim  
7,867,277 B1 \* 1/2011 Tohmeh ..... A61F 2/4455  
623/17.11  
7,938,857 B2 \* 5/2011 Garcia-Bengochea .....  
A61B 17/1671  
623/17.11  
D653,757 S \* 2/2012 Binder ..... A61F 2/446  
D24/155  
8,273,129 B2 9/2012 Baynham  
8,323,342 B2 12/2012 Schwab  
8,382,842 B2 2/2013 Greenhaugh  
8,690,949 B2 4/2014 Messerli  
8,845,727 B2 \* 9/2014 Gottlieb ..... A61F 2/442  
623/17.11  
8,978,933 B2 3/2015 Vishnubholta  
8,986,389 B2 3/2015 Lim  
9,011,544 B2 4/2015 Arramon  
D732,667 S \* 6/2015 McCormack ..... D24/155

(Continued)

*Primary Examiner* — Charles D Hanson  
(74) *Attorney, Agent, or Firm* — Stephen D. Carver

(57) **CLAIM**

The ornamental design for a lumbar interbody implant, as shown and described.

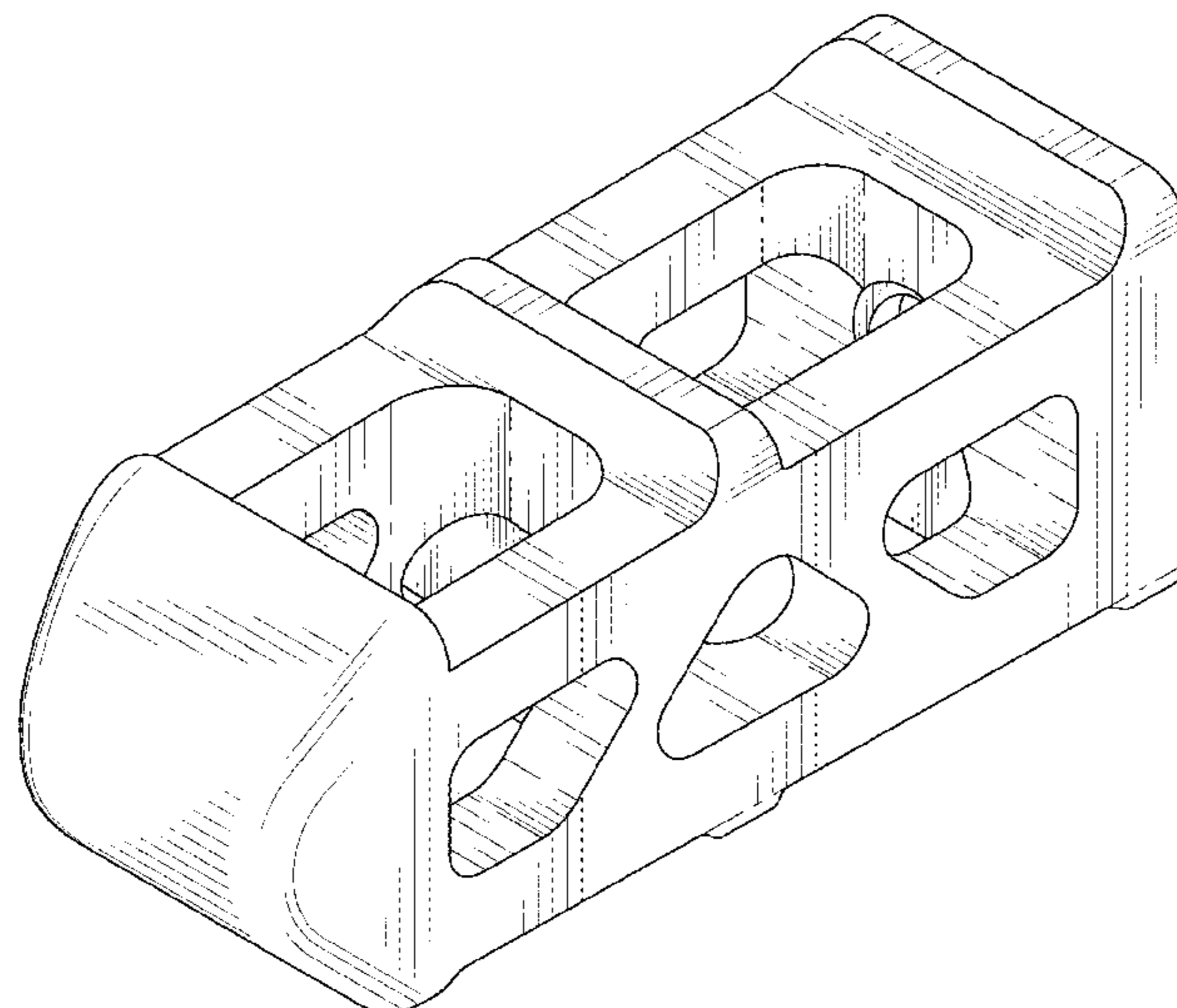
**DESCRIPTION**

FIG. 1 is a frontal isometric view of our new lumbar interbody implant, showing our new design;  
FIG. 2 is a front elevational view thereof;  
FIG. 3 is a rear elevational view;  
FIG. 4 is a left side elevational view taken from a position to the right of FIG. 1;  
FIG. 5 is a right side elevational view thereof;  
FIG. 6 is a top plan view thereof;  
FIG. 7 is a bottom plan view thereof; and,  
FIG. 8 is a rear isometric view thereof.

**1 Claim, 5 Drawing Sheets**

(56) **References Cited**  
U.S. PATENT DOCUMENTS

5,192,327	A	3/1993	Brantigan
5,306,309	A	4/1994	Wagner
5,425,772	A	6/1995	Brantigan
5,443,514	A	8/1995	Steffee
5,458,638	A	10/1995	Kuslich
5,607,424	A	3/1997	Tropiano
5,609,636	A	3/1997	Kohrs
5,669,909	A	11/1997	Zdeblick
5,766,252	A	6/1998	Henry
6,080,158	A	6/2000	Lim



(56)

**References Cited**

U.S. PATENT DOCUMENTS

D745,156	S *	12/2015	McCormack .....	D24/155
9,204,972	B2	12/2015	Weiman	
D750,249	S *	2/2016	Grimberg, Jr. ....	D24/155
9,259,329	B2	2/2016	Greenhaugh	
9,381,049	B2 *	7/2016	McCormack .....	A61F 2/4405
2001/0016774	A1	8/2001	Bresina	
2002/0055781	A1	5/2002	Sazy	
2006/0173464	A1	8/2006	Ellman	
2006/0265068	A1	11/2006	Schwab	
2007/0213823	A1	9/2007	Trieu	
2009/0043390	A1	2/2009	Meisel	
2011/0144755	A1 *	6/2011	Baynham .....	A61F 2/447 623/17.16
2012/0065613	A1 *	3/2012	Pepper .....	A61F 2/447 604/500
2014/0100657	A1 *	4/2014	McCormack .....	A61F 2/4405 623/17.11
2016/0051371	A1	2/2016	Defelice	
2016/0058573	A1	3/2016	DiMauro	
2016/0089250	A1	3/2016	Gfeller	
2016/0106548	A1	4/2016	Li	
2016/0128846	A1	5/2016	Voellmicke	

\* cited by examiner

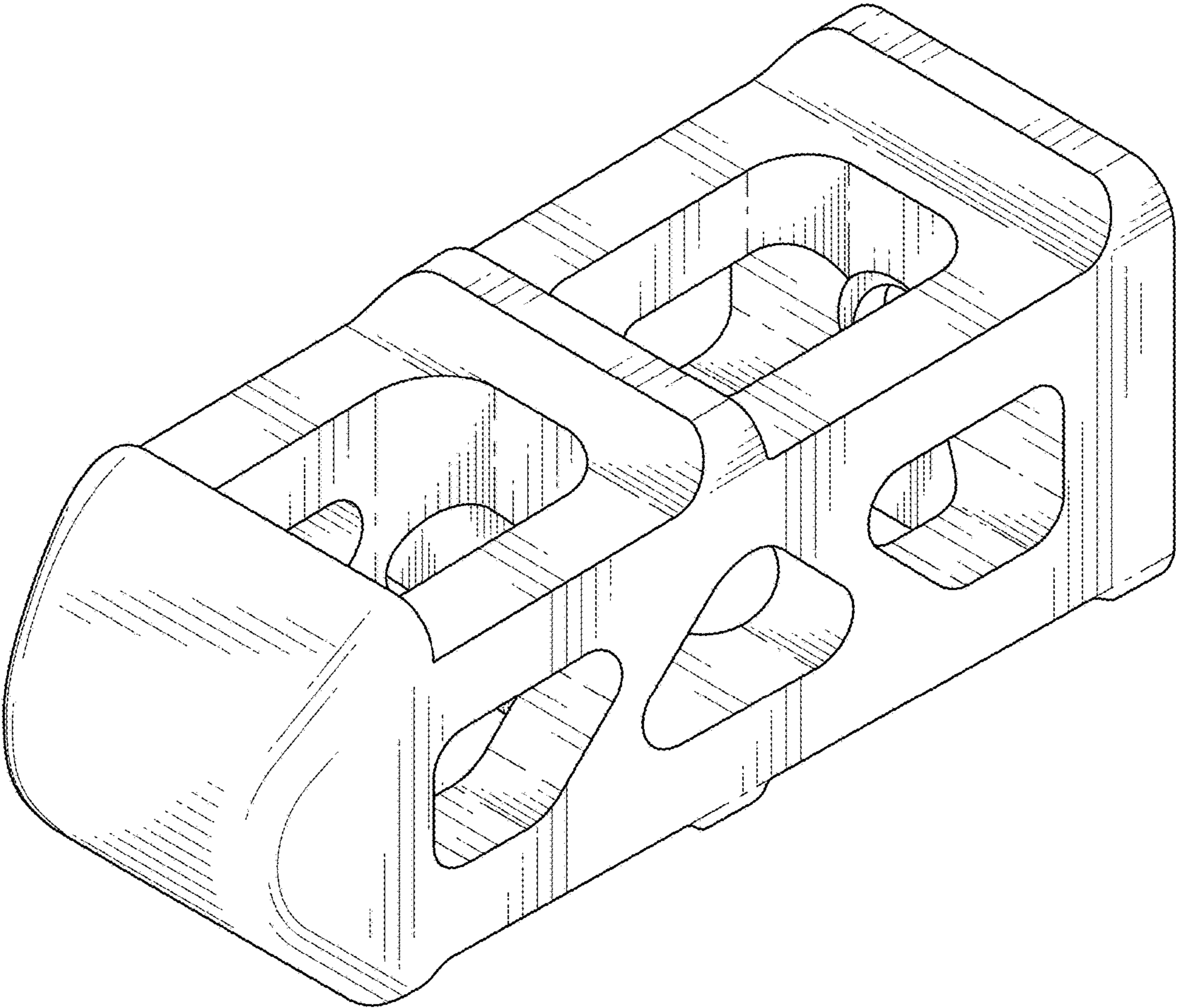


FIG. 1

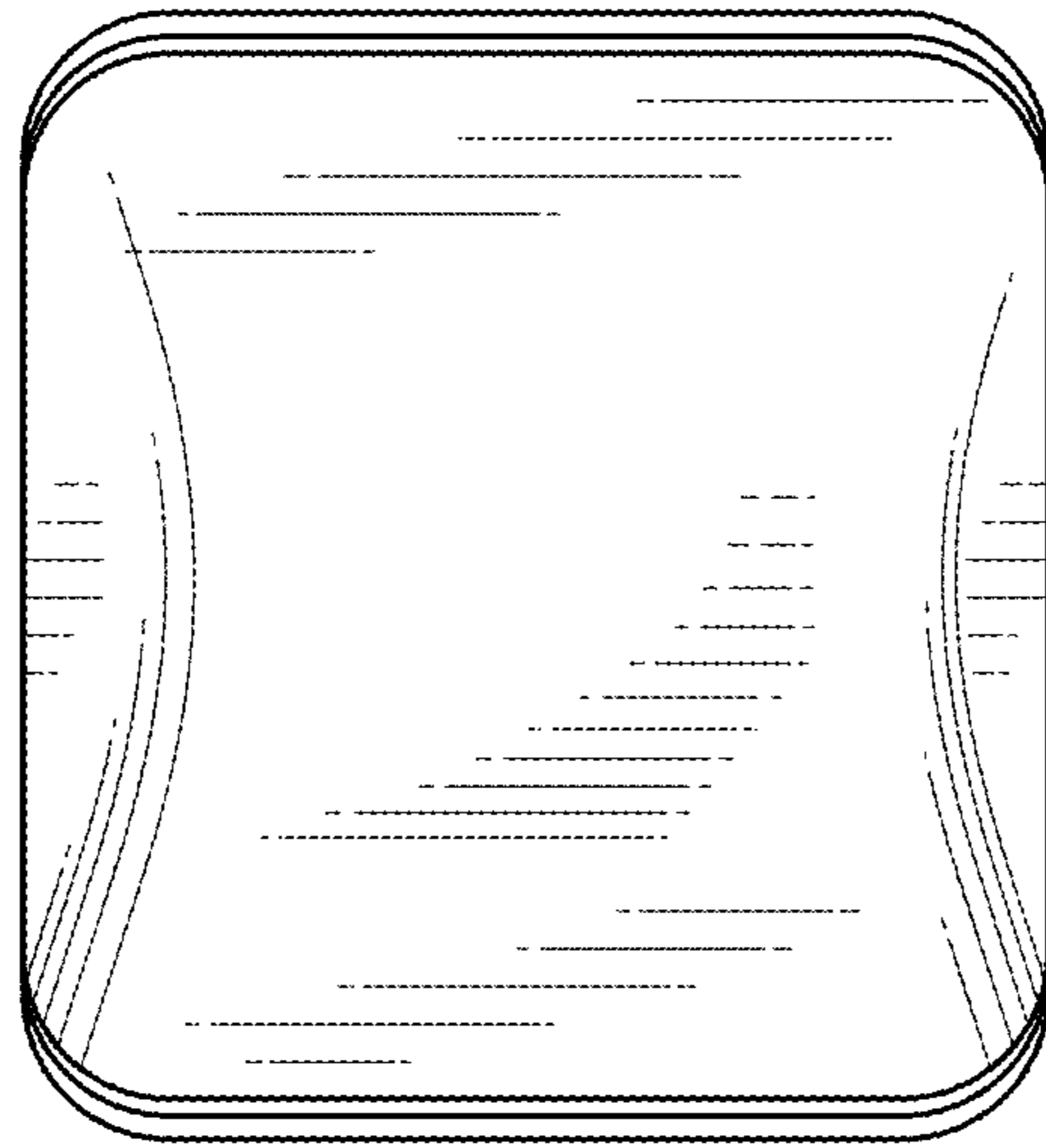


FIG. 2

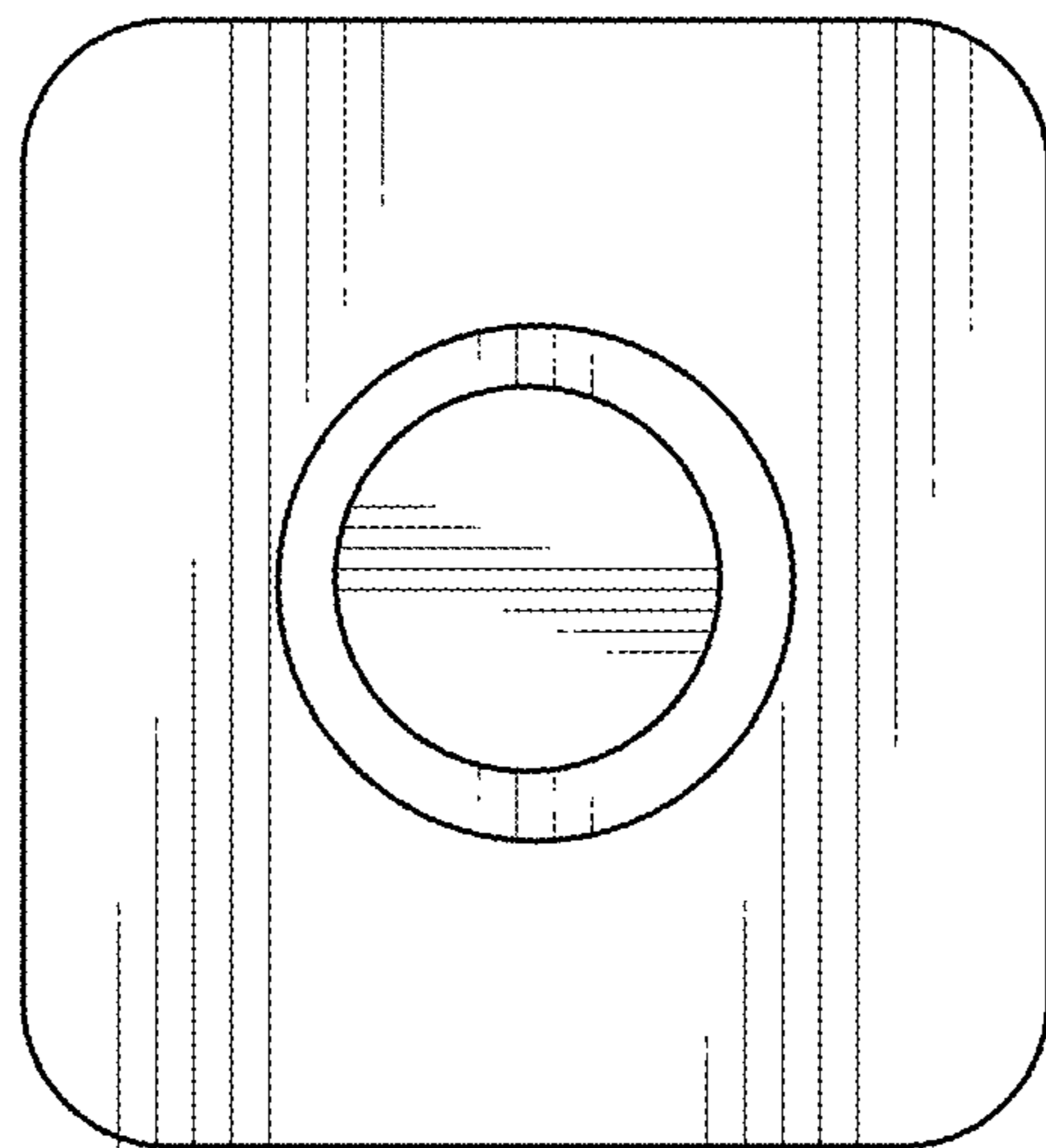


FIG. 3

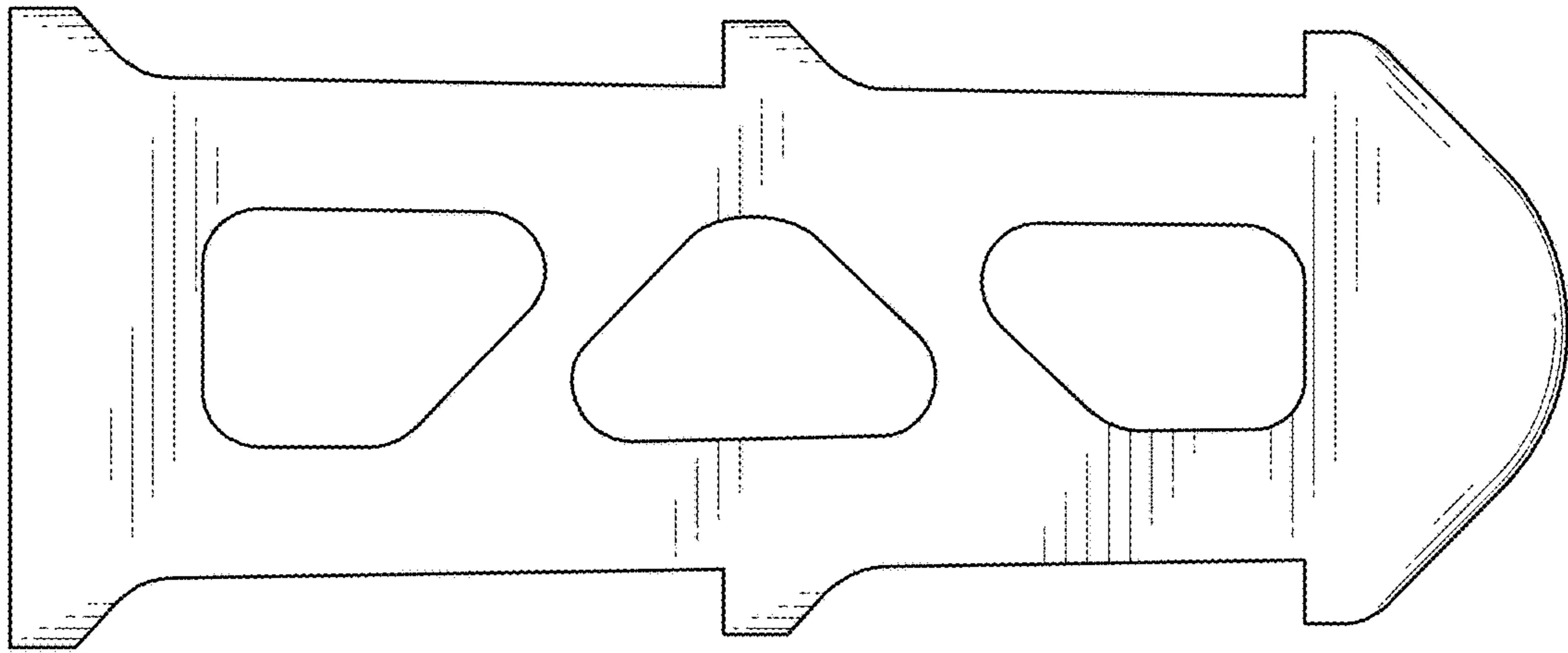


FIG. 4

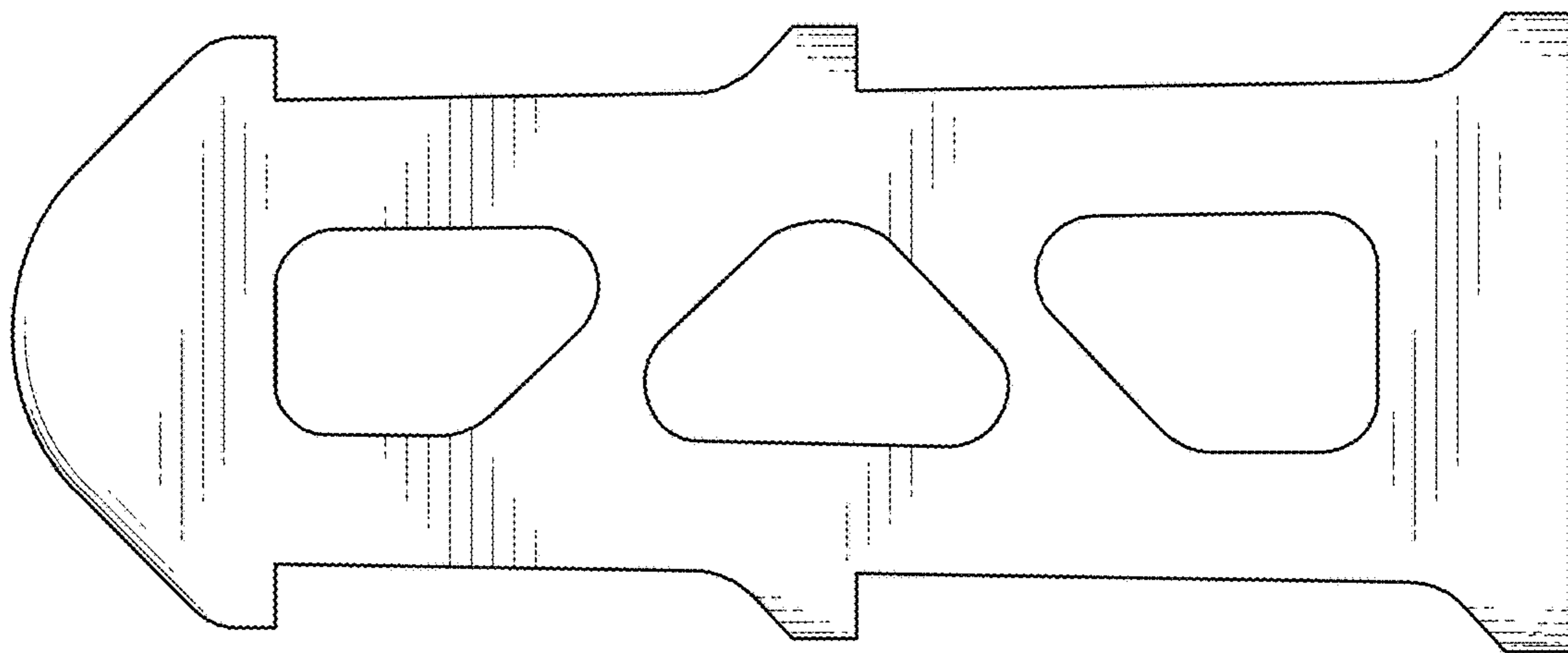


FIG. 5



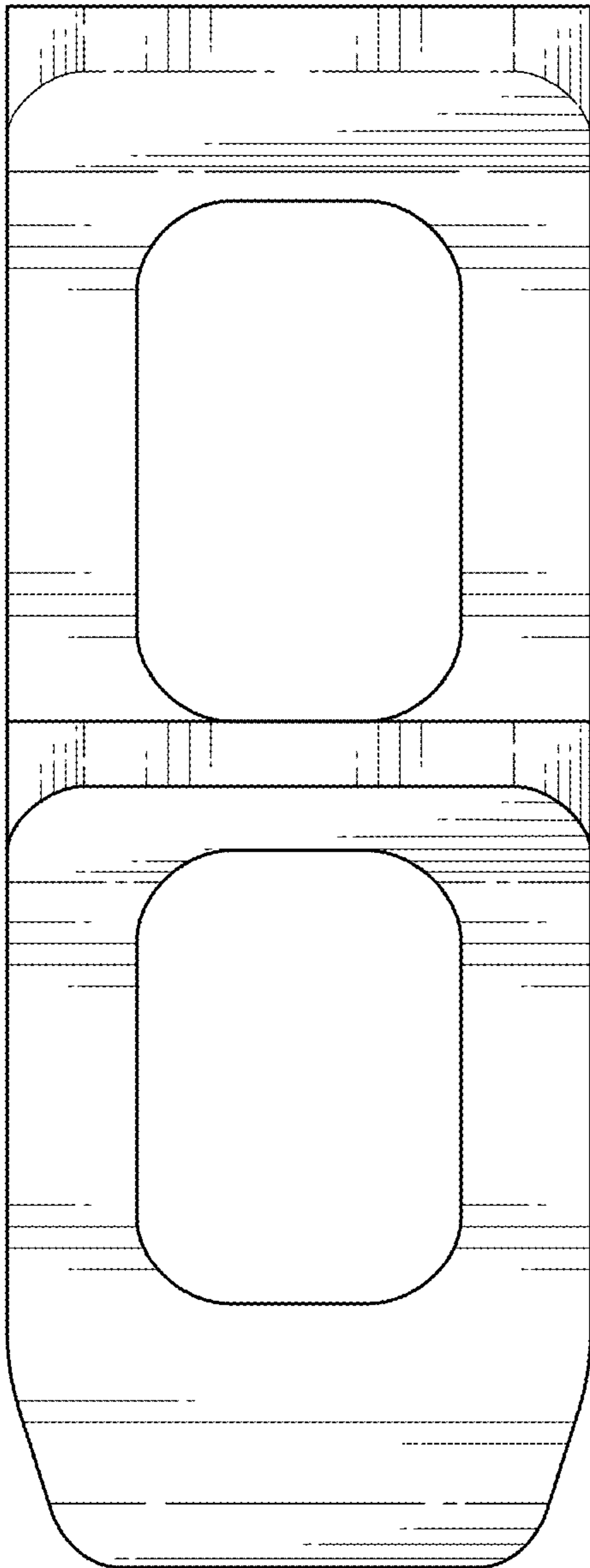


FIG. 6

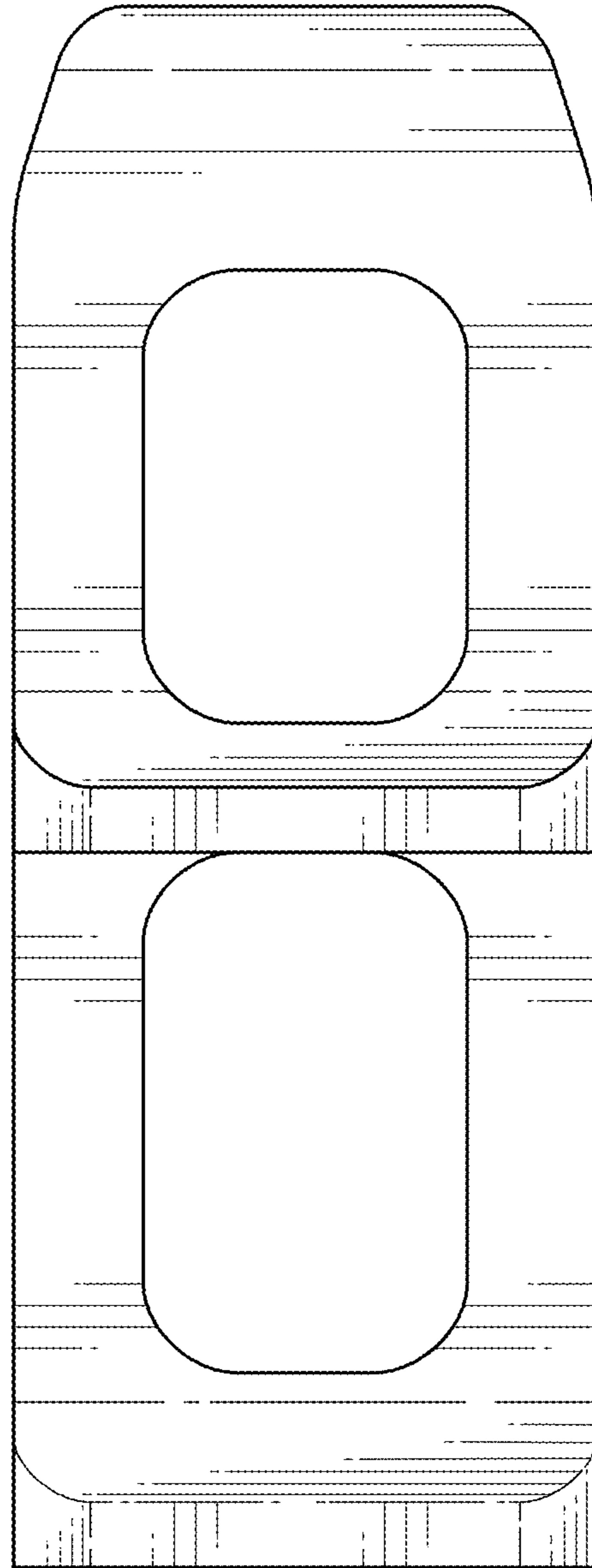


FIG. 7

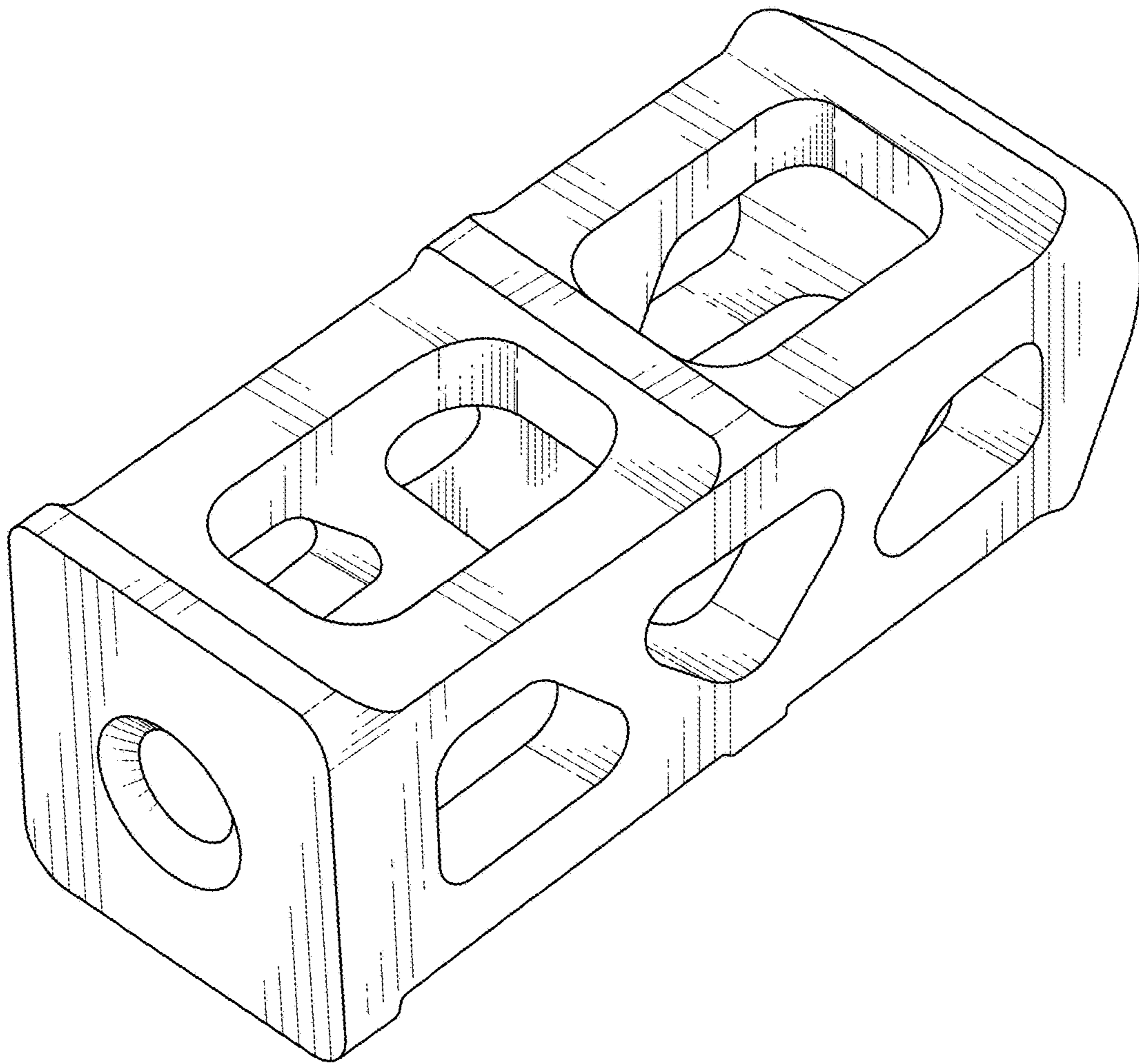


FIG. 8