



US00D816843S

(12) **United States Design Patent**  
**Lewis**

(10) **Patent No.:** **US D816,843 S**  
(45) **Date of Patent:** **\*\* May 1, 2018**

- (54) **ORTHOPEdic IMPLANT**
- (71) Applicant: **ALEVIO, LLC**, Birmingham, AL (US)
- (72) Inventor: **Adam I. Lewis**, Madison, MS (US)
- (73) Assignee: **Alevio, LLC**, Birmingham, AL (US)
- (\*\*) Term: **15 Years**
- (21) Appl. No.: **29/606,705**
- (22) Filed: **Jun. 7, 2017**
- (51) **LOC (11) Cl.** ..... **24-02**
- (52) **U.S. Cl.**  
USPC ..... **D24/155**
- (58) **Field of Classification Search**  
USPC ..... D24/155, 156  
CPC ..... A61B 17/68; A61B 17/00; A61B 17/7037;  
A61B 17/7032; A61B 17/7291; A61B  
17/8605; A61B 17/864; A61B 17/8685;  
A61B 17/70; A61B 17/7011; A61B  
17/7035; A61B 17/7082  
See application file for complete search history.

(56) **References Cited**

**U.S. PATENT DOCUMENTS**

- 4,796,612 A \* 1/1989 Reese ..... A61B 17/683  
606/324
- 5,976,140 A \* 11/1999 Haas ..... A61B 17/80  
433/173
- 7,988,736 B2 \* 8/2011 May ..... A61F 2/389  
623/20.17
- 2004/0215231 A1 \* 10/2004 Fortune ..... A61B 17/0057  
606/213
- 2008/0015691 A1 \* 1/2008 Wyss ..... A61F 2/3603  
623/16.11

- 2010/0241126 A1 \* 9/2010 Ghijssels ..... A61B 17/025  
606/88
- 2010/0304335 A1 \* 12/2010 Garcia Saban ..... A61B 17/863  
433/174
- 2013/0103083 A1 \* 4/2013 Baird ..... A61B 17/0401  
606/232

\* cited by examiner

*Primary Examiner* — Charles D Hanson

(74) *Attorney, Agent, or Firm* — C. Brandon Browning;  
Maynard, Cooper & Gale, PC

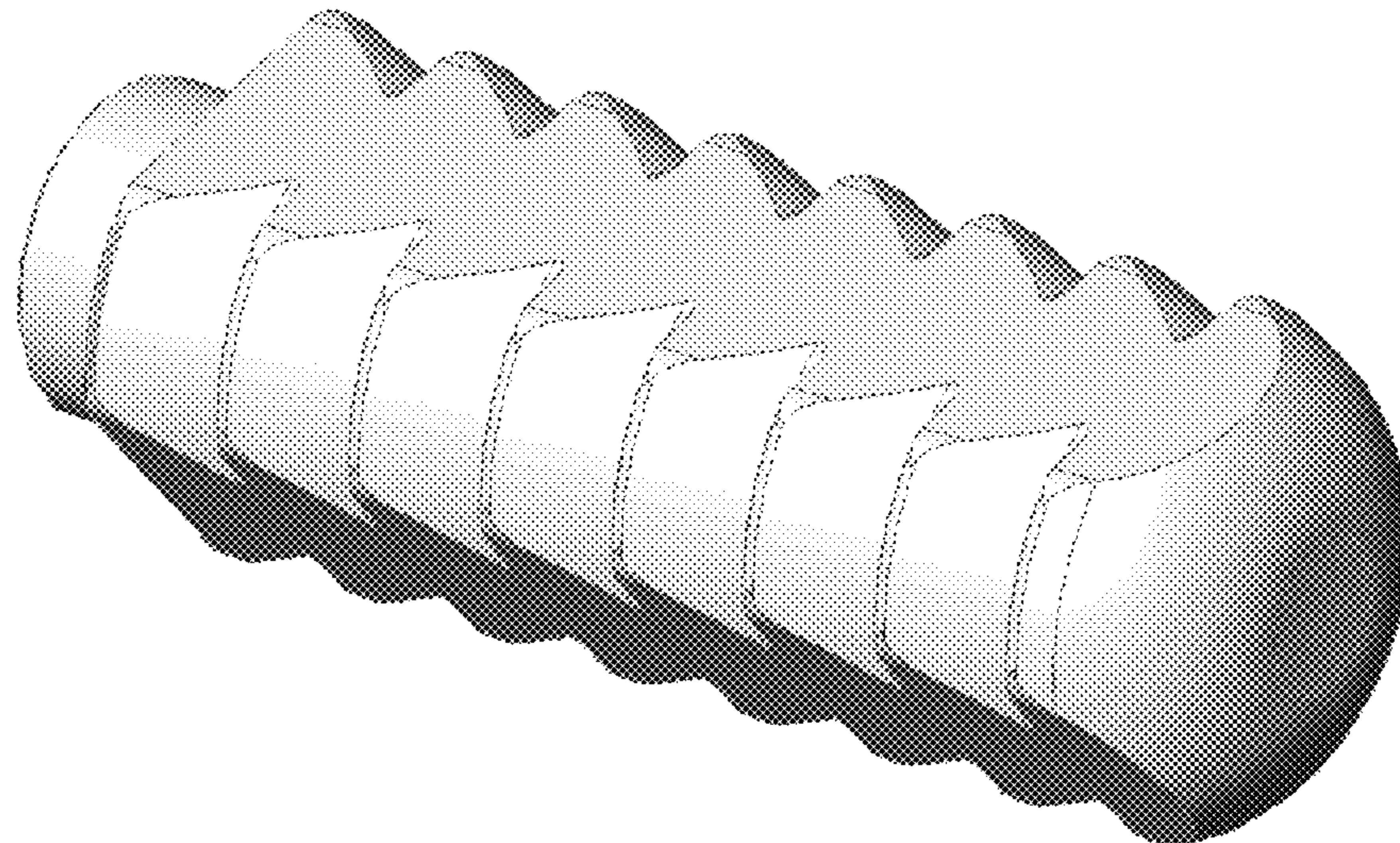
(57) **CLAIM**

The ornamental design for an orthopedic implant, as shown and described.

**DESCRIPTION**

FIG. 1 is a plan view of a first end of an orthopedic implant in accordance with the present invention;  
 FIG. 2 is a plan view of a second end of the orthopedic implant of FIG. 1.  
 FIG. 3 is an elevational view of a first side of the orthopedic implant of FIG. 1.  
 FIG. 4 is an elevational view of a second side of the orthopedic implant of FIG. 1.  
 FIG. 5 is an elevational view of a third side of the orthopedic implant of FIG. 1.  
 FIG. 6 is an elevational view of a fourth side of the orthopedic implant of FIG. 1.  
 FIG. 7 is a perspective view of the first side of the orthopedic implant of FIG. 1.  
 FIG. 8 is a perspective view of the second side of the orthopedic implant of FIG. 1.  
 FIG. 9 is a perspective view of the third side of the orthopedic implant of FIG. 1; and,  
 FIG. 10 is a perspective view of the fourth side of the orthopedic implant of FIG. 1.  
 The shading portions of the disclosure are for illustrative purposes only and form no part of the claimed design.

**1 Claim, 5 Drawing Sheets**



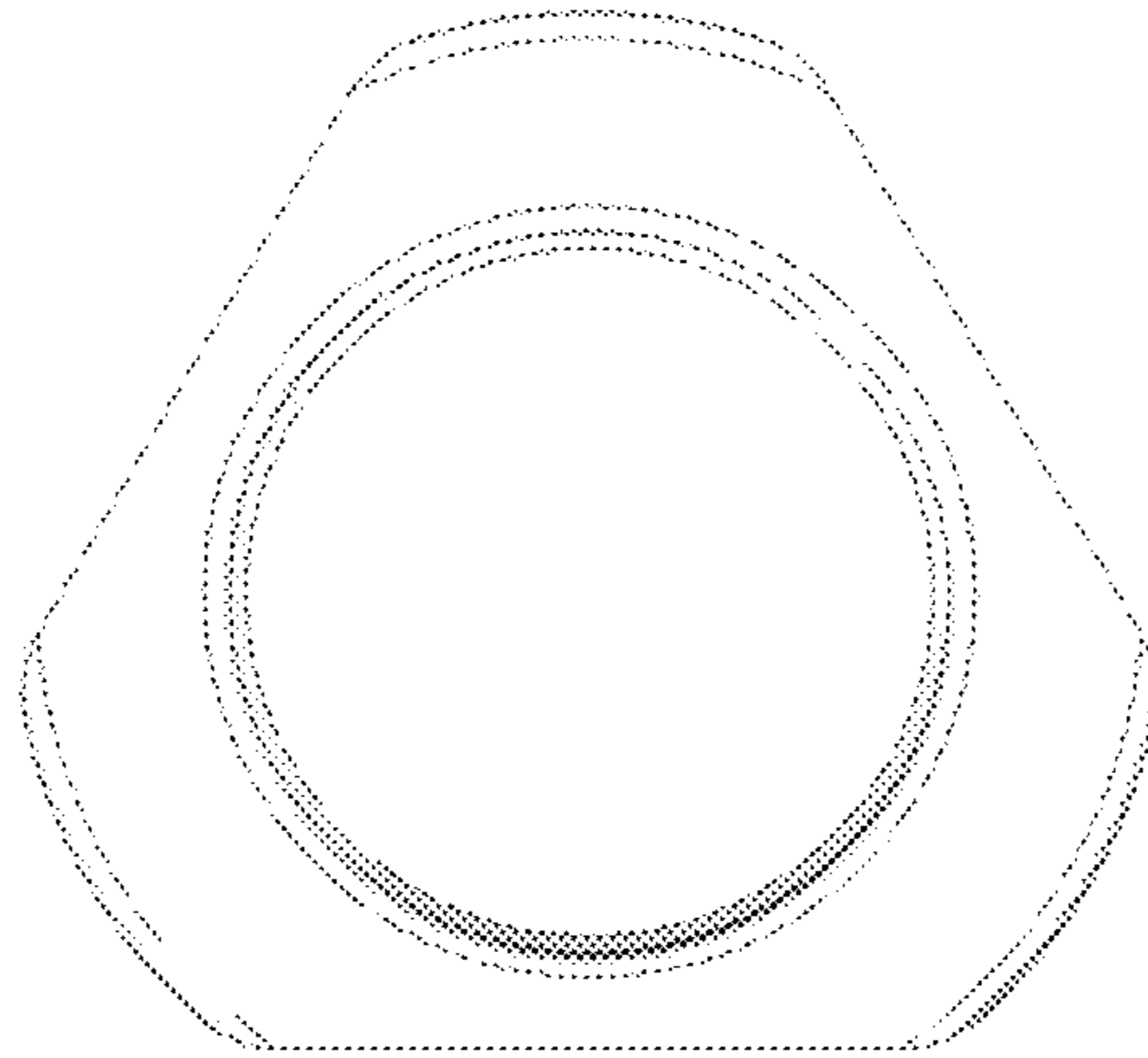


FIG. 1

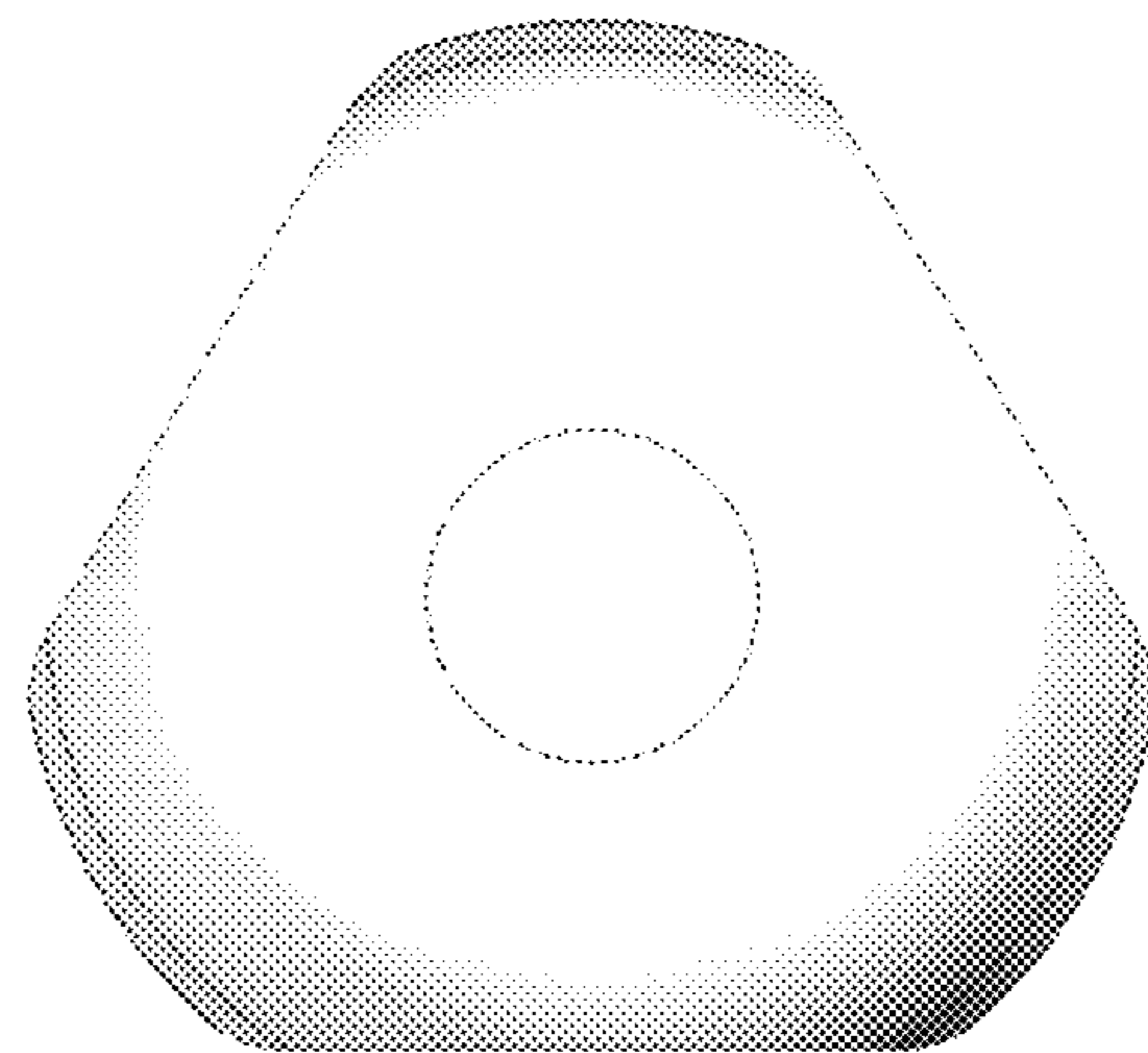


FIG. 2



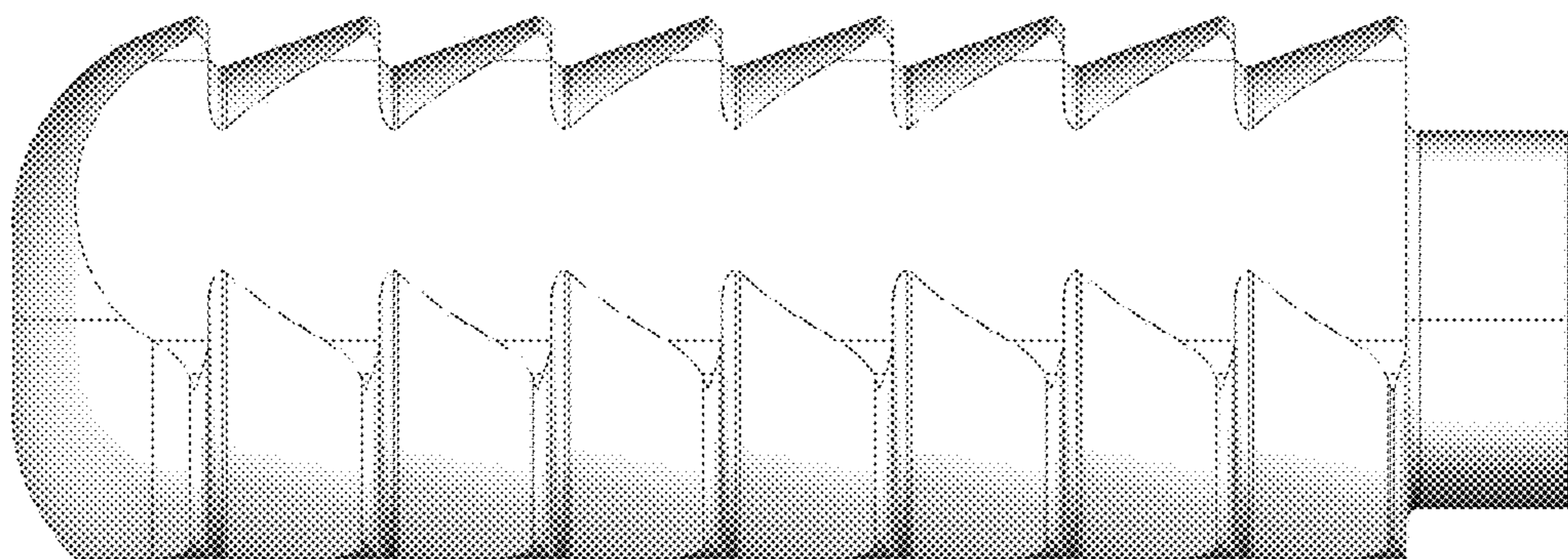


FIG. 3

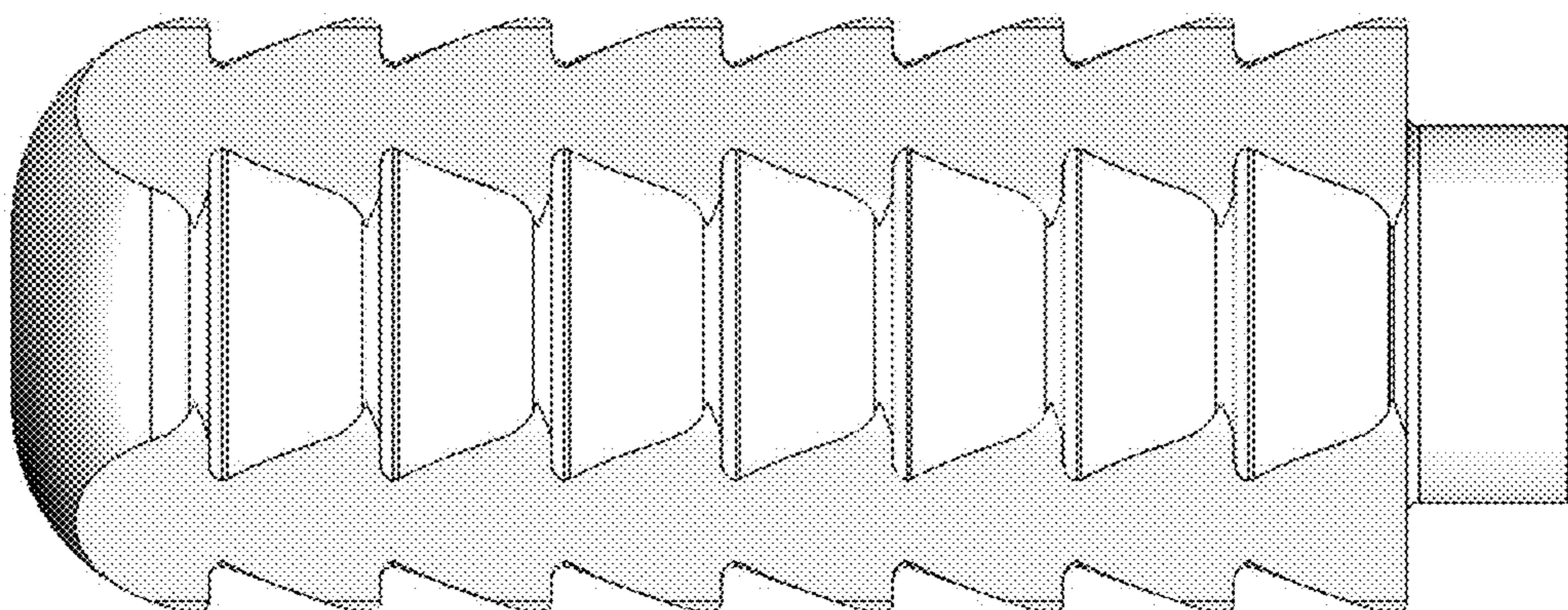


FIG. 4

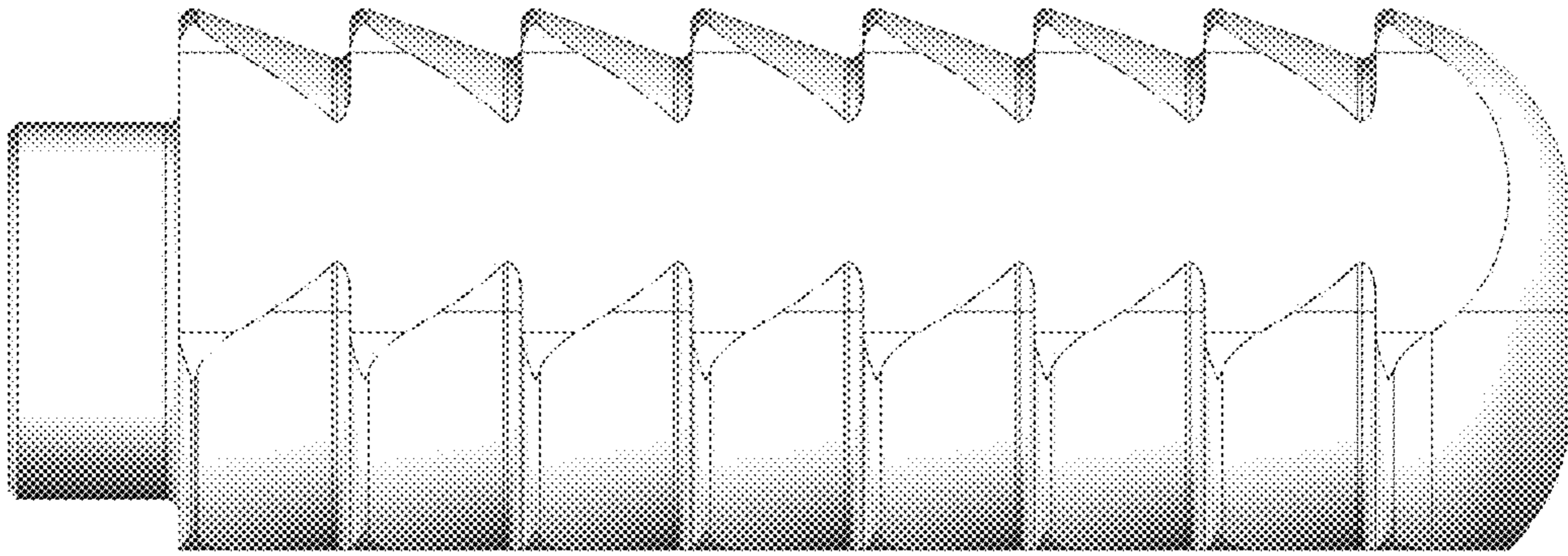


FIG. 5

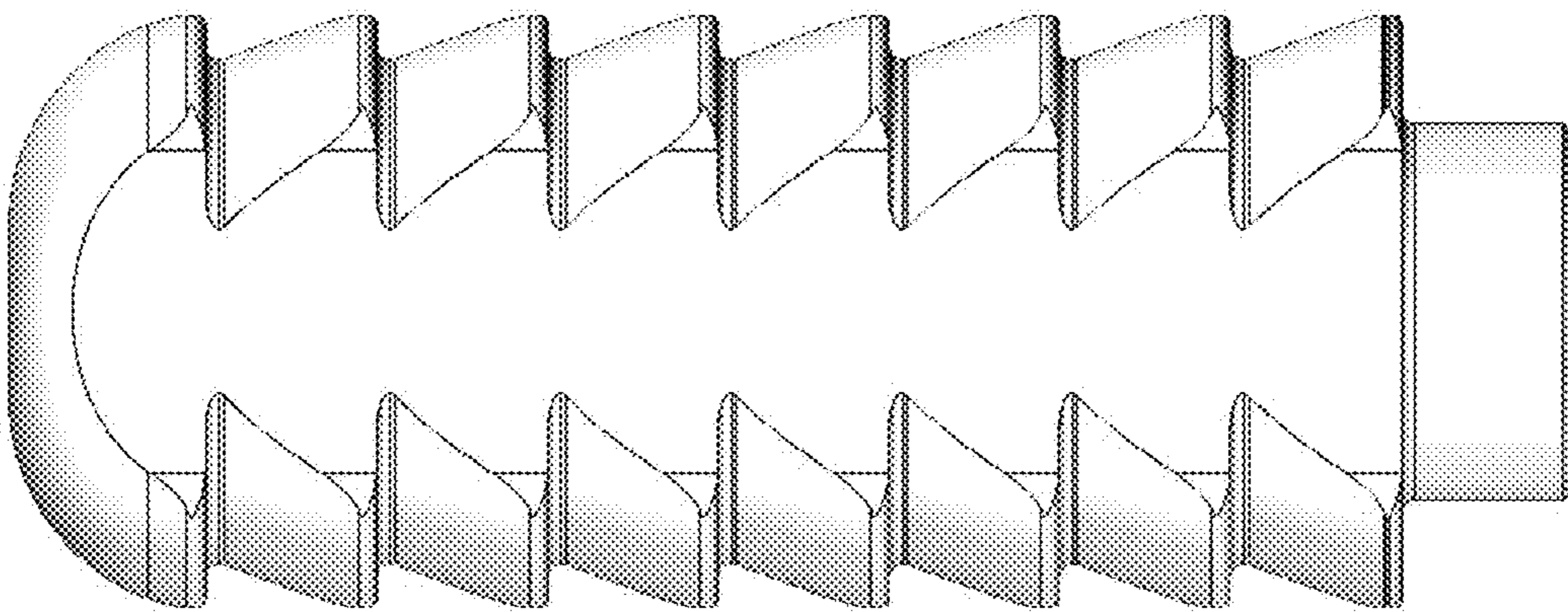


FIG. 6



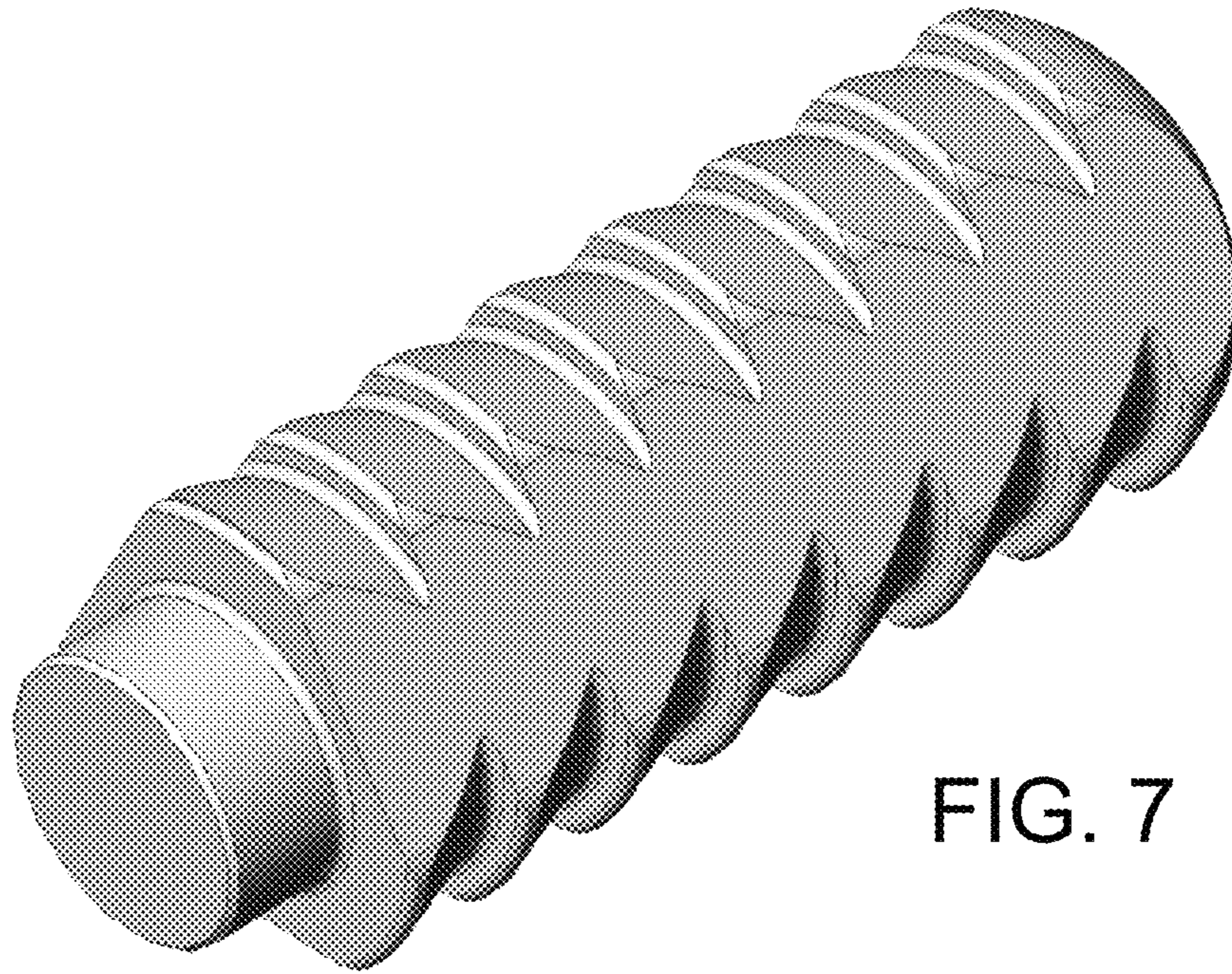


FIG. 7

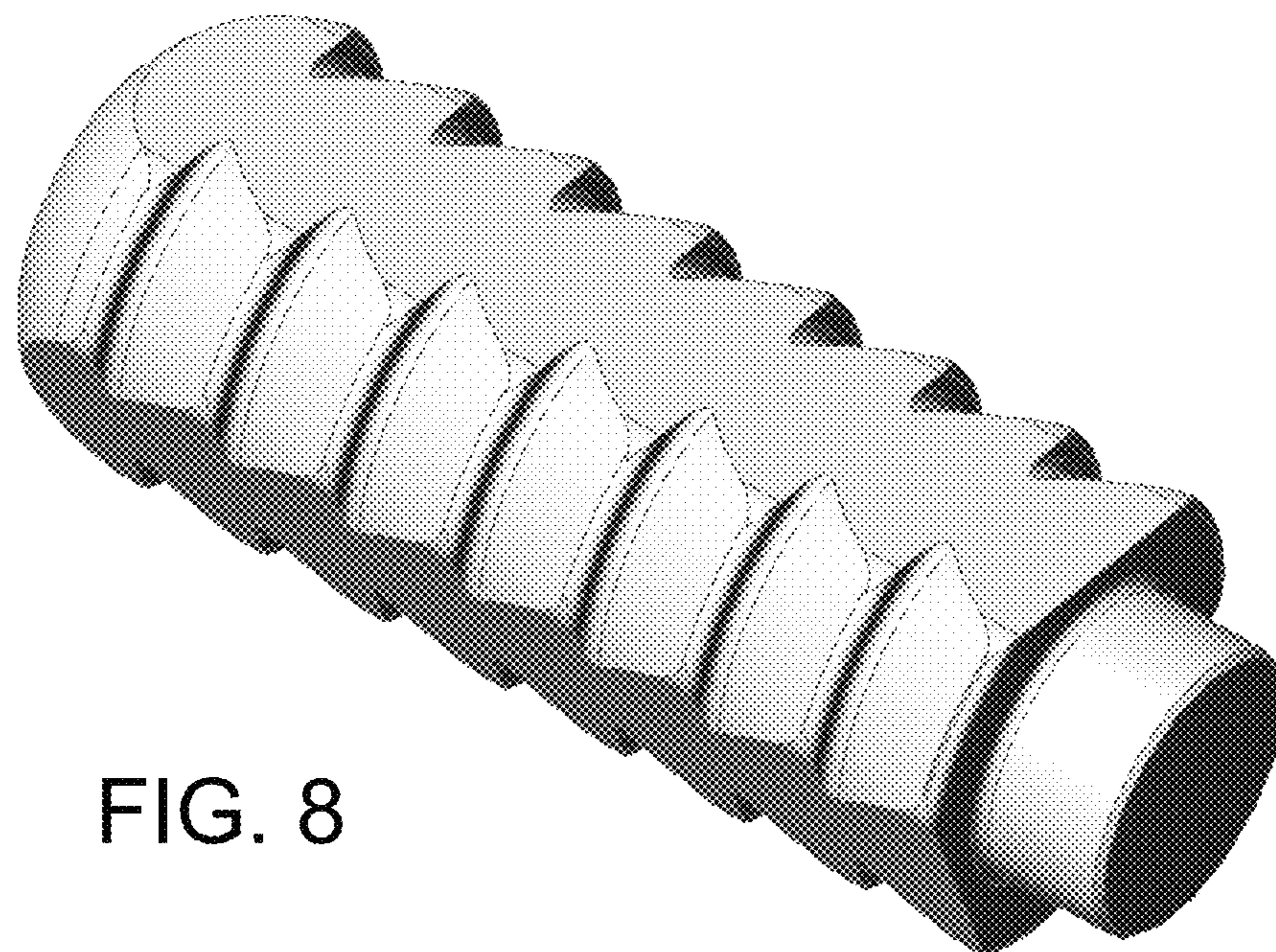


FIG. 8



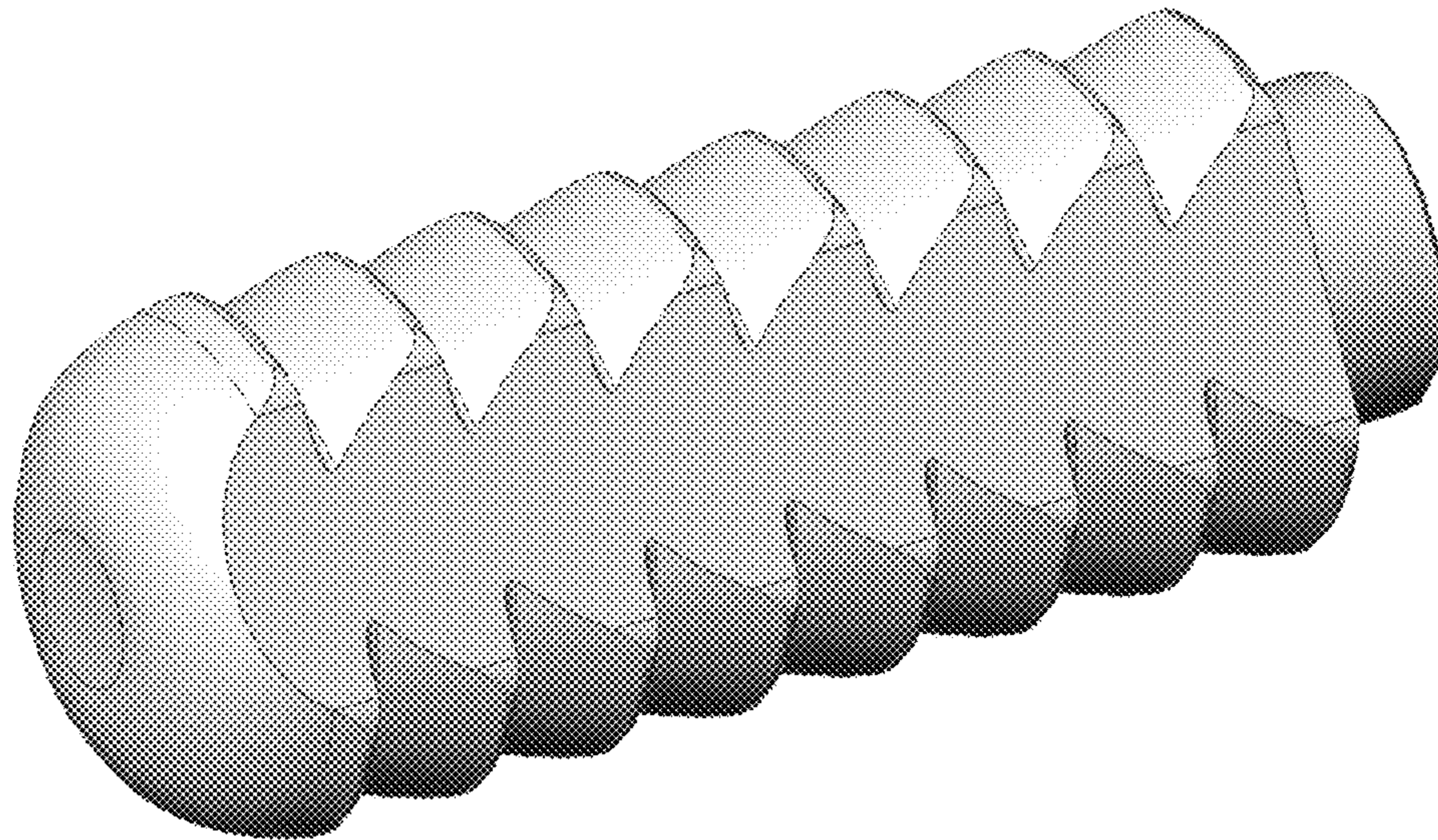


FIG. 9

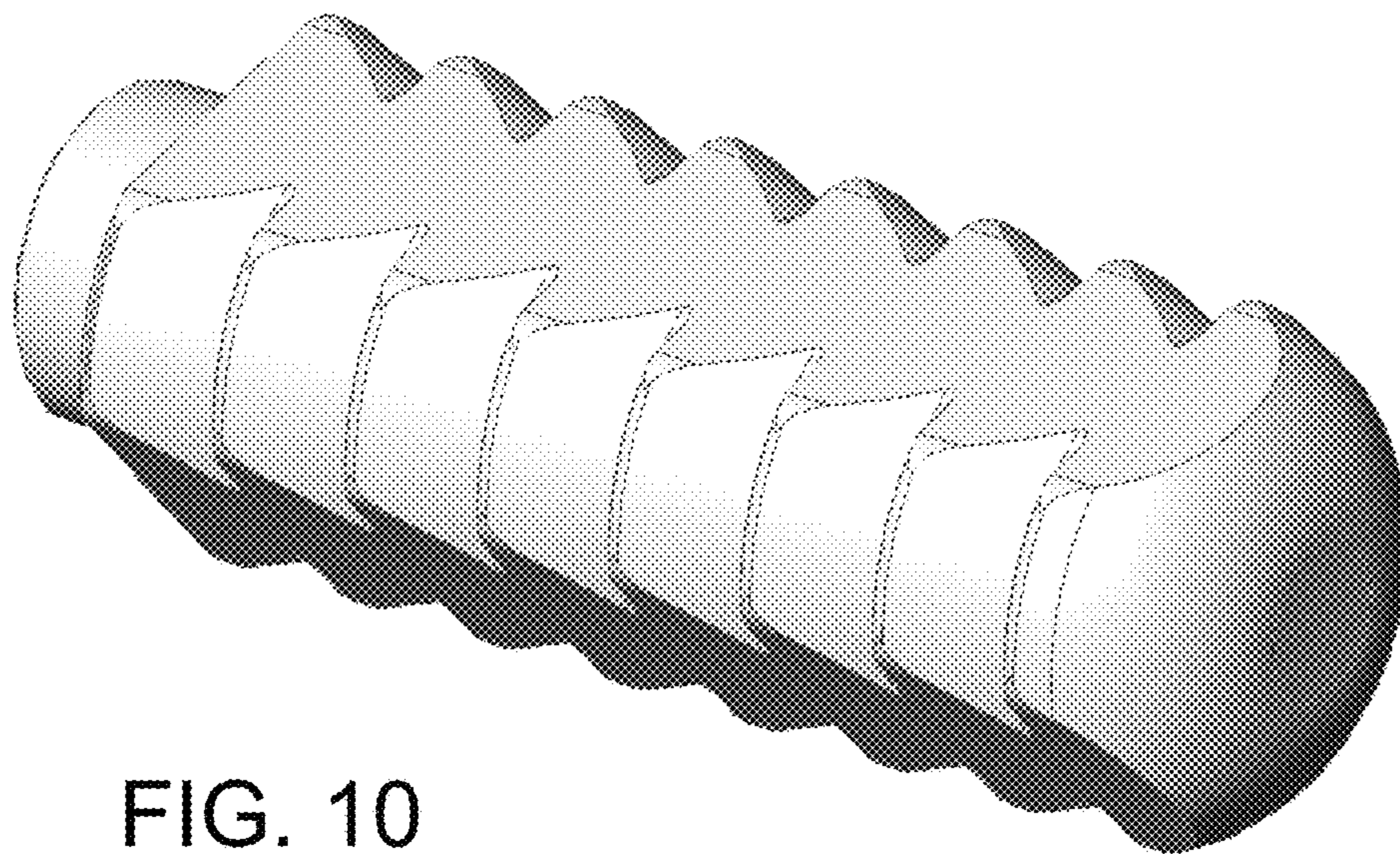


FIG. 10