



US00D816842S

(12) **United States Design Patent** (10) **Patent No.:** **US D816,842 S**  
**Brönnimann et al.** (45) **Date of Patent:** **\*\* May 1, 2018**

(54) **IMPLANTS**  
(71) Applicant: **OSTOMYCURE AS**, Oslo (NO)  
(72) Inventors: **Benedict Brönnimann**, Penthaz (CH);  
**Mats Erik Kindahl Cardell**,  
Sollentuna (SE); **Jan Anders Berglund**,  
Järfälla (SE); **Robert Axelsson**, Gränna  
(SE)

4,183,357 A 1/1980 Bentley et al.  
4,217,664 A 8/1980 Faso  
5,098,397 A 3/1992 Svensson et al.  
5,269,774 A 12/1993 Gray  
5,423,761 A 6/1995 Hein et al.  
5,425,761 A 6/1995 Lundgren  
5,882,341 A 3/1999 Bousquet  
6,017,355 A 1/2000 Hessel et al.  
6,438,397 B1 8/2002 Bousquet et al.

(Continued)

(73) Assignee: **Ostomycure AS**, Oslo (NO)

**FOREIGN PATENT DOCUMENTS**

(\*\*) Term: **15 Years**

EP 0 477 475 B1 4/1992  
EP 1 632 201 B1 3/2006

(Continued)

(21) Appl. No.: **29/551,253**

(22) Filed: **Jan. 12, 2016**

**OTHER PUBLICATIONS**

**Related U.S. Application Data**

Search Report, Appl. No. EP 07114671, dated Dec. 4, 2007.

(Continued)

(62) Division of application No. 29/471,220, filed on Oct. 29, 2013, now Pat. No. Des. 752,750.

*Primary Examiner* — Charles Hanson

(30) **Foreign Application Priority Data**

(74) *Attorney, Agent, or Firm* — Winston & Strawn LLP

Apr. 30, 2013 (WO) ..... DM/080805

(51) **LOC (11) Cl.** ..... **24-02**

(52) **U.S. Cl.**

USPC ..... **D24/155**

(58) **Field of Classification Search**

USPC ..... D24/155, 144, 127-129, 118

CPC ..... A61F 5/445; A61F 5/448; A61F 5/4405;

A61F 2/91; A61F 2005/4455; A61M

39/0247; A61M 2039/0261

See application file for complete search history.

(56) **References Cited**

**U.S. PATENT DOCUMENTS**

3,663,965 A 5/1972 Lee, Jr. et al.

3,736,934 A \* 6/1973 Hennessy ..... A61F 5/448

604/342

4,119,100 A 10/1978 Rickett

(57) **CLAIM**

The ornamental designs for implants, as shown and described.

**DESCRIPTION**

FIG. 1 is a top perspective view of an implant according to a first embodiment of the present invention.

FIG. 2 is a top view of the implant of FIG. 1.

FIG. 3 is a bottom perspective view of the implant of FIG. 1.

FIG. 4 is a bottom view of the implant of FIG. 1.

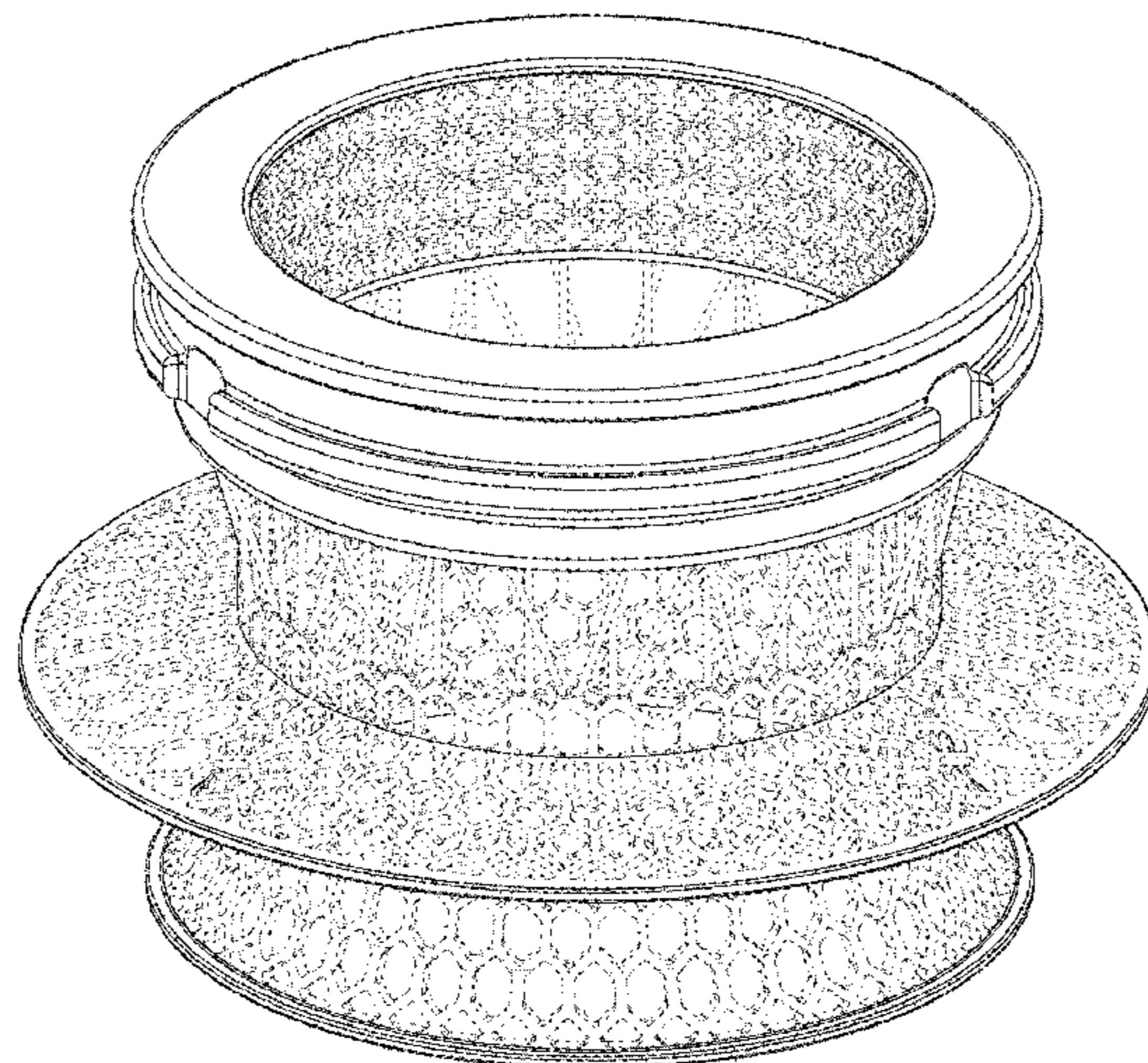
FIG. 5 is a front side view of the implant of FIG. 1.

FIG. 6 is a back side view of the implant of FIG. 1.

FIG. 7 is a left side view of the implant of FIG. 1; and,

FIG. 8 is a right side view of the implant of FIG. 1.

**1 Claim, 8 Drawing Sheets**



(56)

References Cited

U.S. PATENT DOCUMENTS

7,935,096 B2 5/2011 Johansson et al.  
 8,449,512 B2 5/2013 Villani et al.  
 8,647,304 B2\* 2/2014 Axelsson ..... A61F 5/445  
 604/164.04  
 8,821,462 B2\* 9/2014 Axelsson ..... A61F 5/445  
 604/332  
 8,998,862 B2\* 4/2015 Hanuka ..... A61F 5/4405  
 604/318  
 D752,750 S\* 3/2016 Bronnimann ..... D24/155  
 2001/0051794 A1 12/2001 Bestetti et al.  
 2002/0099344 A1 7/2002 Hessel et al.  
 2004/0006396 A1 1/2004 Ricci et al.  
 2006/0052759 A1 3/2006 Johansson et al.  
 2007/0132155 A1\* 6/2007 Burgermeister ..... A61L 31/04  
 264/479  
 2009/0192464 A1 7/2009 Axelsson et al.  
 2010/0131050 A1\* 5/2010 Zhao ..... A61L 31/022  
 623/1.42  
 2011/0092929 A1\* 4/2011 Weig ..... A61F 5/445  
 604/338  
 2011/0178540 A1 7/2011 Axelsson et al.  
 2011/0196324 A1 8/2011 Johansson et al.  
 2011/0251452 A1\* 10/2011 Villani ..... A61F 5/445  
 600/37  
 2011/0316919 A1\* 12/2011 Baldy, Jr. .... B41J 2/0456  
 347/14  
 2012/0123361 A1 5/2012 Johansson et al.  
 2013/0197458 A1\* 8/2013 Salama ..... A61F 5/4405  
 604/335  
 2014/0052085 A1\* 2/2014 Johansson ..... A61F 5/445  
 604/338

FOREIGN PATENT DOCUMENTS

EP 1 825 839 A1 8/2007  
 EP 2 027 835 A1 2/2009  
 GB 2 045 084 A 10/1980  
 GB 2 105 197 A 3/1983  
 JP 2002-507901 A 3/2002  
 WO 92/08499 A1 5/1992  
 WO 98/58691 A1 12/1998

WO 00/62722 A1 10/2000  
 WO 01/08597 A1 2/2001  
 WO 2005/056079 A1 6/2005  
 WO 2007/099500 A1 9/2007  
 WO 2009/024568 A1 2/2009  
 WO 2010/000851 A2 1/2010  
 WO 2010/125346 A1 11/2010  
 WO 2011/126724 A1 10/2011  
 WO 2012/007755 A2 1/2012  
 WO 2012/131351 A2 10/2012

OTHER PUBLICATIONS

Search Report, Appl. No. GB 1105126.5, dated Jul. 15, 2011.  
 Search Report, Appl. No. GB 1105126.5, dated Jan. 20, 2012.  
 International Search Report and Written Opinion, Appl. No. PCT/IB2007/050646, dated Jul. 27, 2007.  
 International Search Report, Appl. No. PCT/EP2008/060837, dated Nov. 7, 2008.  
 International Search Report and Written Opinion, Appl. No. PCT/GB2012/050668, dated Sep. 28, 2012.  
 U.S. Appl. No. 12/280,610, Restriction Requirement, dated Dec. 23, 2010.  
 U.S. Appl. No. 12/280,610, Non-Final Office Action, dated Mar. 22, 2011.  
 U.S. Appl. No. 12/280,610, Applicant-Initiated Interview Summary, dated Sep. 16, 2011.  
 U.S. Appl. No. 12/280,610, Non-Final Office Action, dated Mar. 16, 2012.  
 U.S. Appl. No. 12/280,610, Final Office Action, dated Jan. 9, 2013.  
 U.S. Appl. No. 12/280,610, Advisory Action, dated Mar. 15, 2013.  
 U.S. Appl. No. 12/280,610, Applicant-Initiated Interview Summary, dated Apr. 12, 2013.  
 U.S. Appl. No. 12/280,610, Notice of Allowance, dated Oct. 17, 2013.  
 U.S. Appl. No. 29/471,220, Restriction Requirement, dated Aug. 5, 2015.  
 U.S. Appl. No. 29/471,220, Ex Parte Quayle Action, dated Nov. 27, 2015.  
 U.S. Appl. No. 29/471,220, Notice of Allowance, dated Dec. 23, 2015.

\* cited by examiner

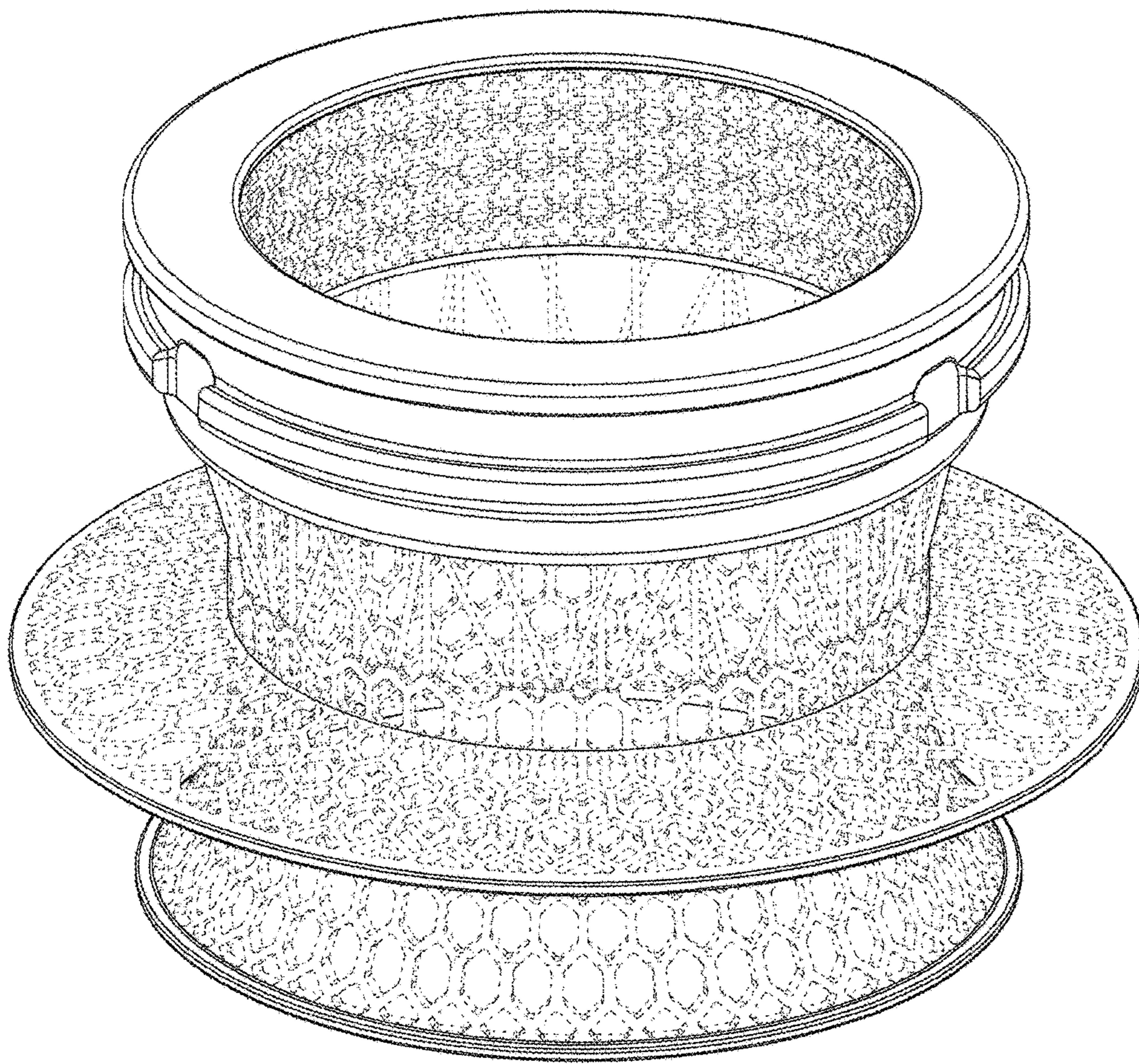


FIG. 1

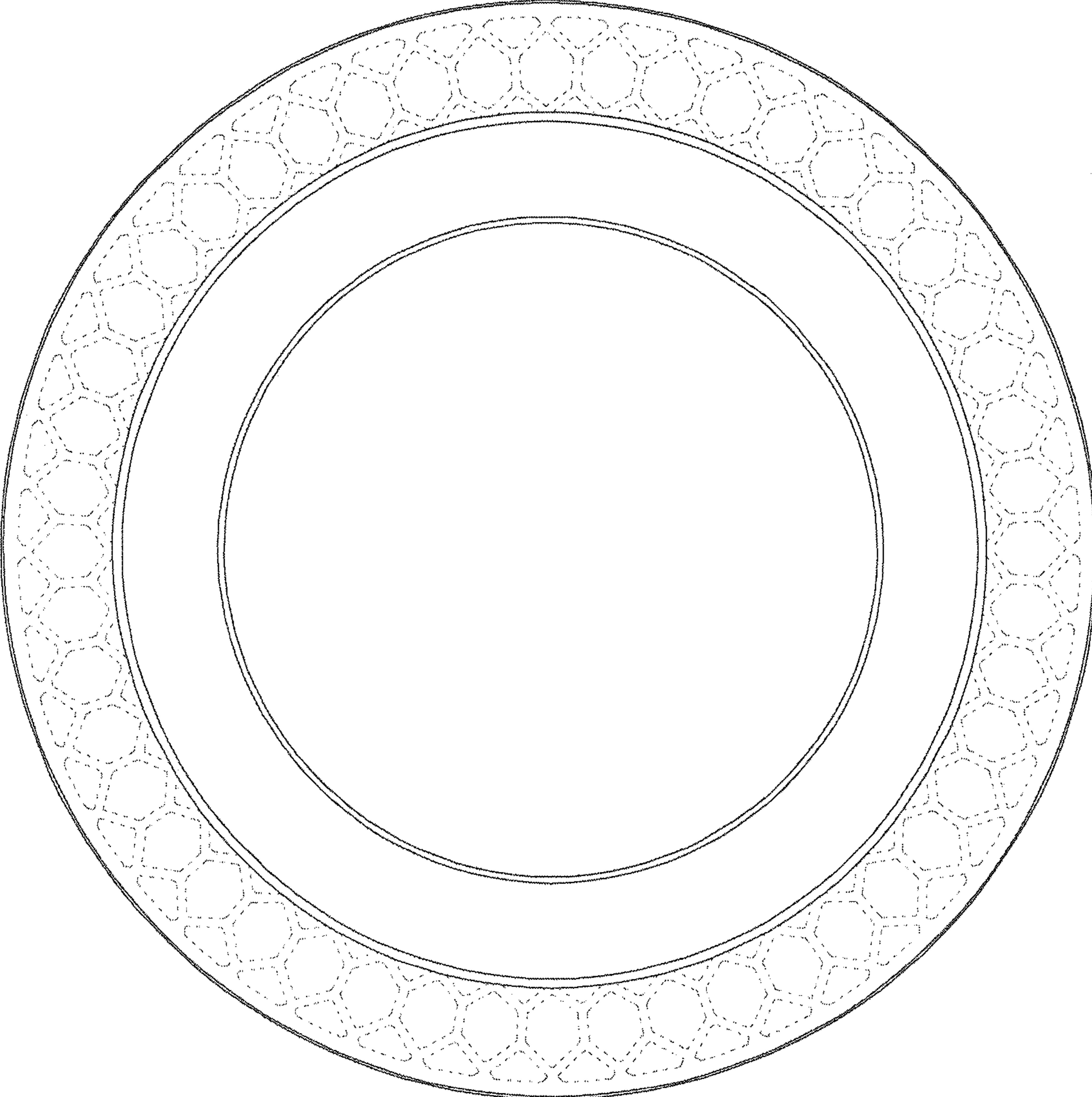


FIG. 2

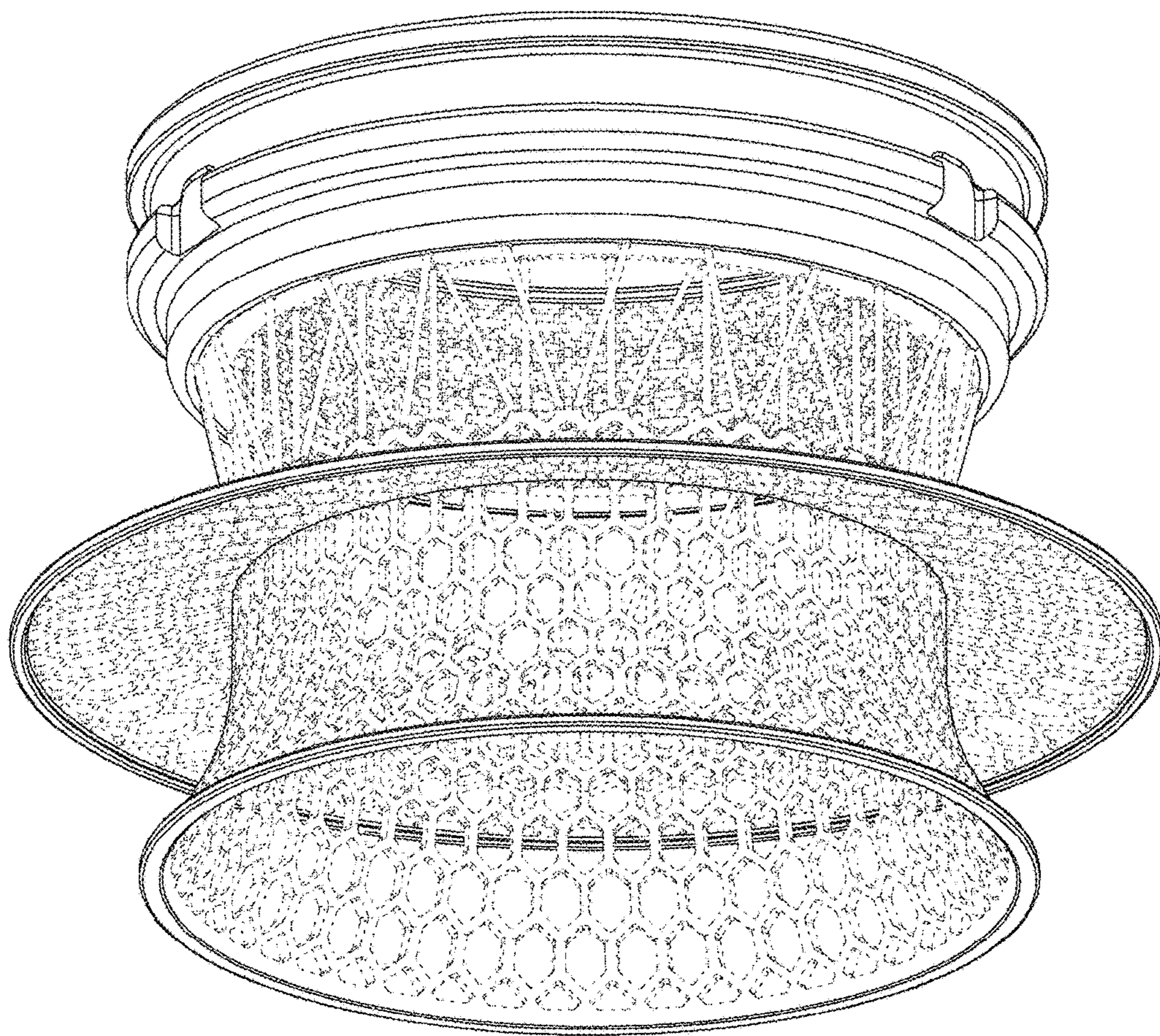


FIG. 3

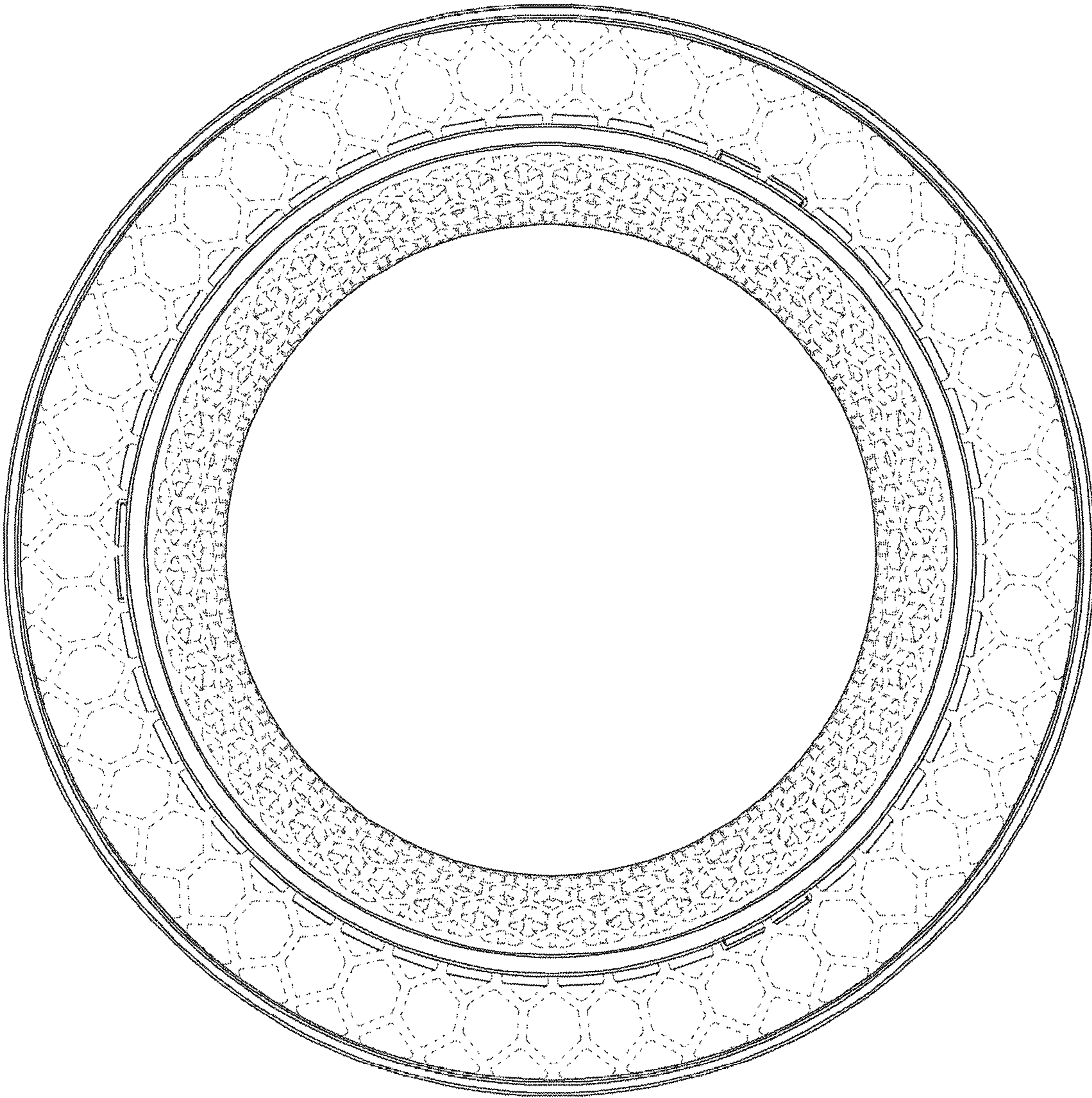


FIG. 4

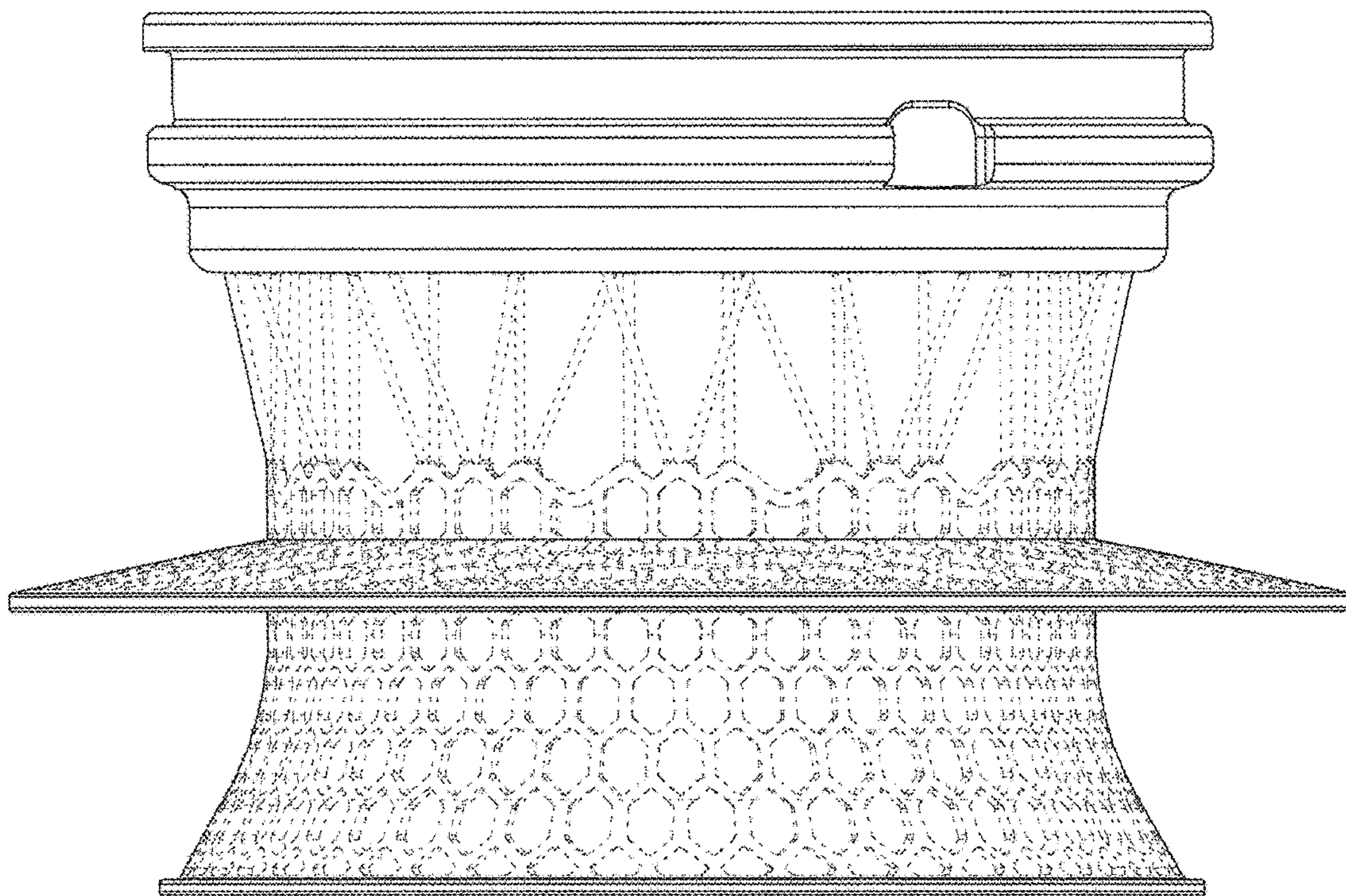


FIG. 5

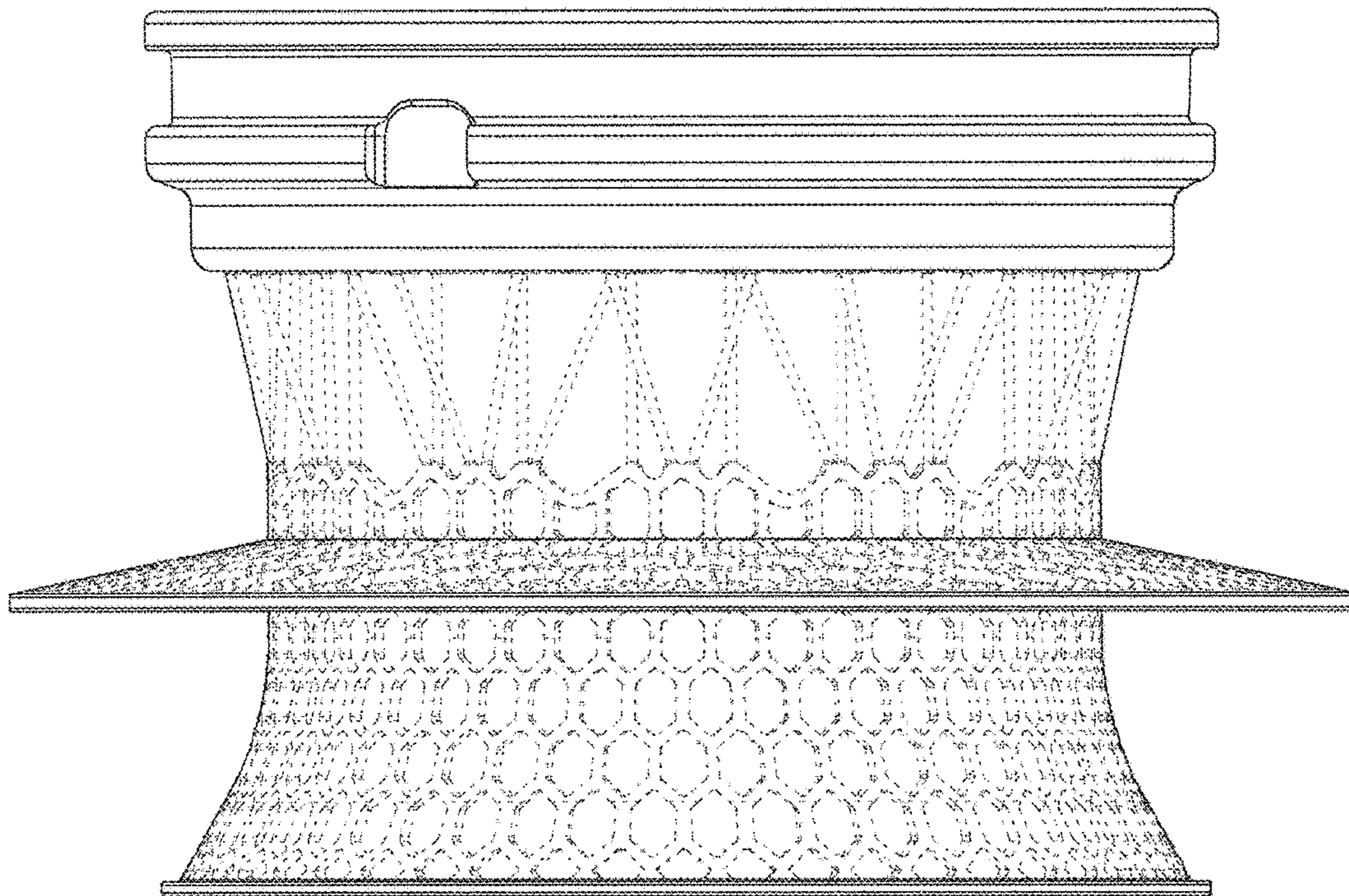


FIG. 6



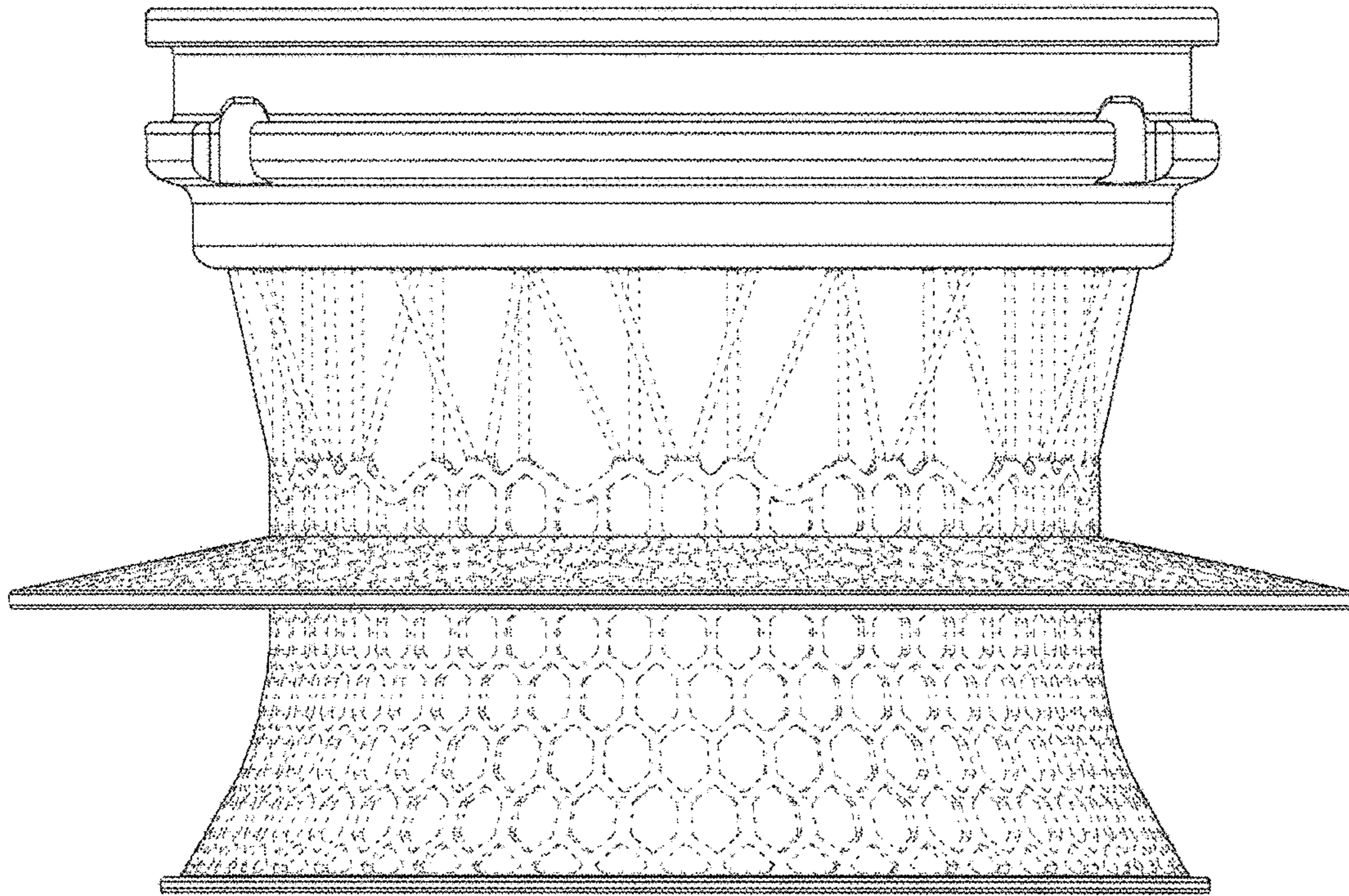


FIG. 7

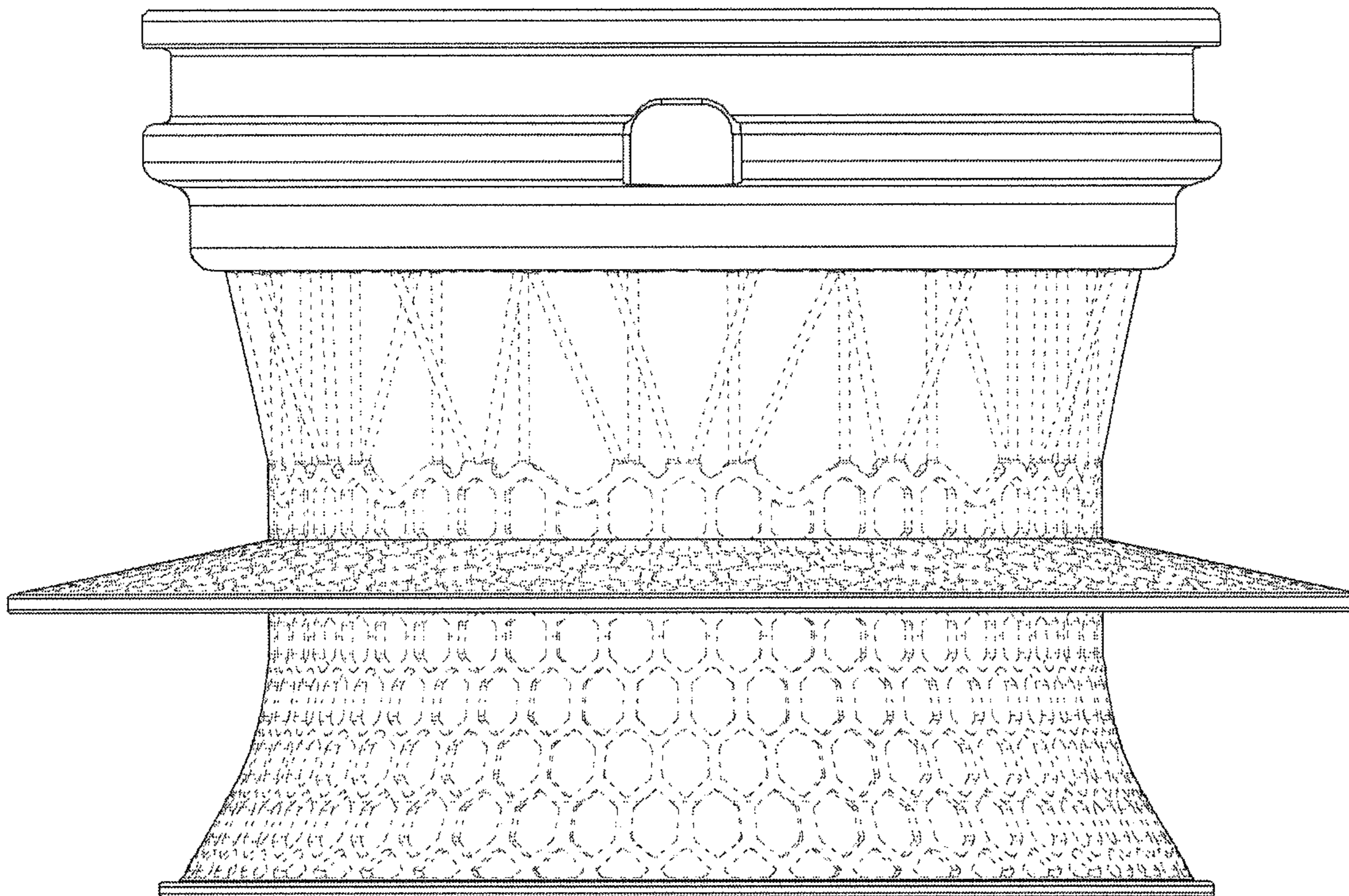


FIG. 8