



US00D816837S

(12) **United States Design Patent** (10) **Patent No.:** **US D816,837 S**
Fuhr et al. (45) **Date of Patent:** **** May 1, 2018**

(54) **LARYNGOSCOPE FOR CHILDREN**

(71) Applicant: **KARL STORZ GmbH & Co. KG,**
Tuttlingen (DE)

(72) Inventors: **Eugenia Fuhr,** Tuttlingen (DE);
Martin Renner, Emmingen-Liptingen
(DE); **Ulrich Merz,**
Vilingen-Schwenningen (DE); **Volker**
Doerges, Gross-Groenau (DE)

(73) Assignee: **KARL STORZ GmbH & Co. KG,**
Tuttlingen (DE)

(**) Term: **15 Years**

(21) Appl. No.: **29/545,156**

(22) Filed: **Nov. 10, 2015**

(30) **Foreign Application Priority Data**

May 11, 2015 (EM) 002698142-0001

(51) **LOC (11) Cl.** **24-02**

(52) **U.S. Cl.**
USPC **D24/137**

(58) **Field of Classification Search**
USPC D24/111, 137, 138, 135, 136, 139, 141,
D24/160

CPC A61B 1/267; A61B 1/00052; A61B 1/06;
A61B 1/04; A61B 1/2676; B29L
2031/753

See application file for complete search history.

(56) **References Cited**

U.S. PATENT DOCUMENTS

D271,135 S * 10/1983 Greenblatt D24/138
D491,267 S * 6/2004 Ashraf D24/137
D592,306 S * 5/2009 Bigelow D24/137
D608,889 S * 1/2010 Tenger D24/137

D631,158 S 1/2011 Doerges
D664,653 S 7/2012 Doerges
D738,501 S 9/2015 Renner
D739,017 S 9/2015 Renner
D742,512 S 11/2015 Pilz et al.
D745,669 S * 12/2015 Swift D24/137
D746,451 S * 12/2015 Chen D24/137
2014/0107422 A1 * 4/2014 Huels A61B 1/00105
600/188

* cited by examiner

Primary Examiner — Janice Hallmark

Assistant Examiner — Eliza Z Bennett-Hattan

(74) *Attorney, Agent, or Firm* — Muncy, Geissler, Olds &
Lowe, P.C.

(57) **CLAIM**

The ornamental design for a laryngoscope for children, as
shown and described.

DESCRIPTION

FIG. 1 is a front perspective view of a laryngoscope for
children according to the present invention.

FIG. 2 is a front view of the laryngoscope for children of
FIG. 1.

FIG. 3 is a rear view of the laryngoscope for children of FIG.
1.

FIG. 4 is a left side view of the laryngoscope for children of
FIG. 1.

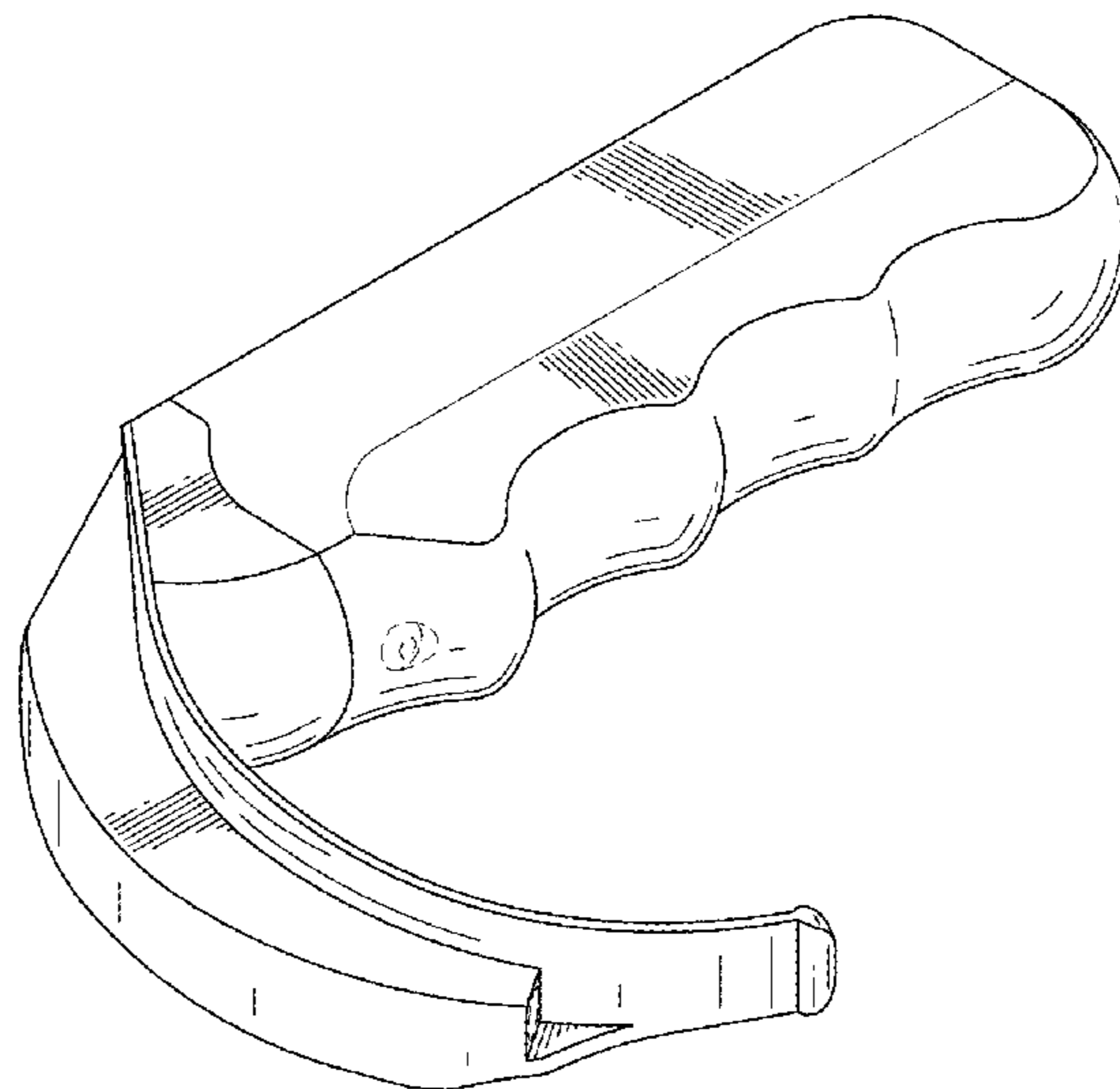
FIG. 5 is a right side view of the laryngoscope for children
of FIG. 1.

FIG. 6 is a top view of the laryngoscope for children of FIG.
1; and,

FIG. 7 is a bottom view of the laryngoscope for children of
FIG. 1.

The dashed lines illustrate environment that does not form a
part of the present invention, and no claim is made to the
material illustrated with dashed lines.

1 Claim, 7 Drawing Sheets



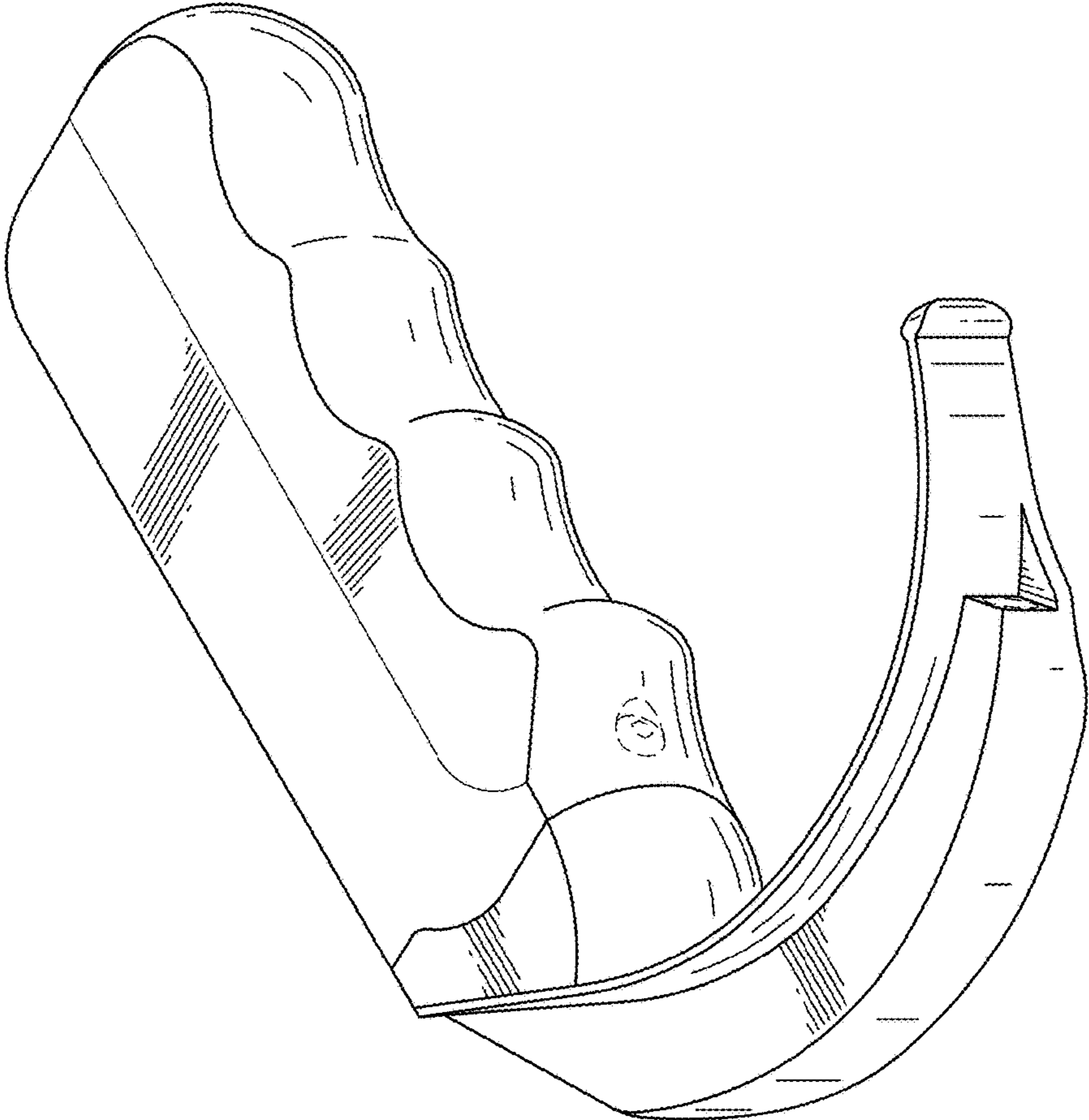


FIG.1

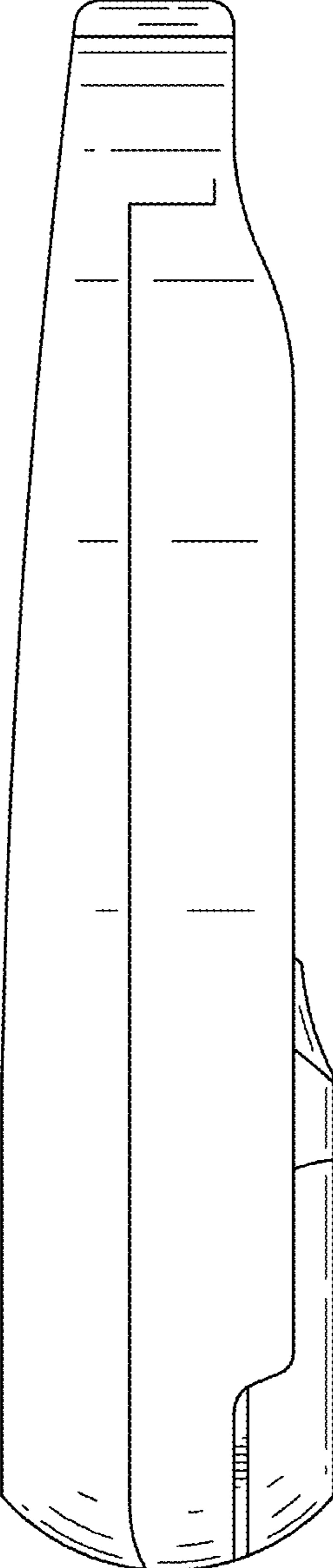


FIG.2

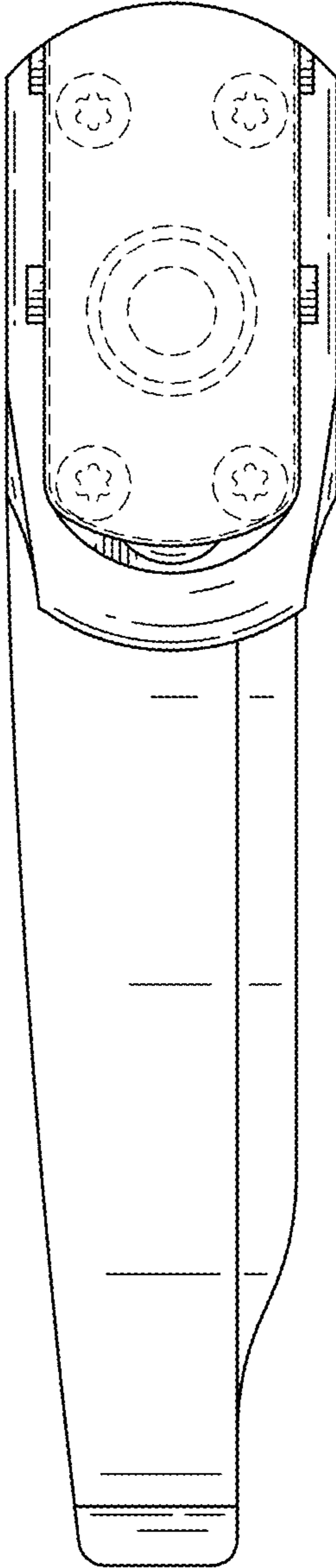


FIG.3

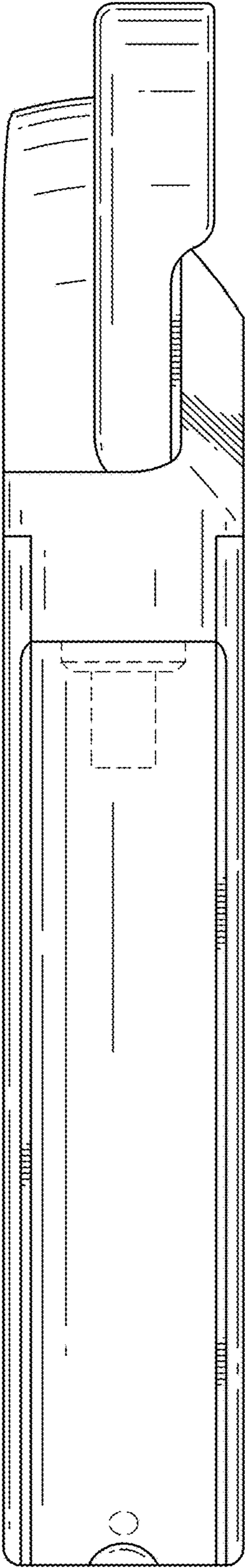


FIG.4

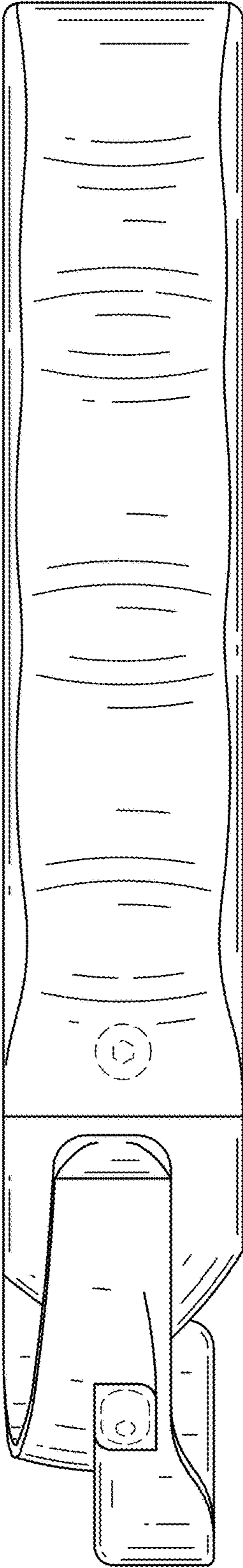


FIG.5

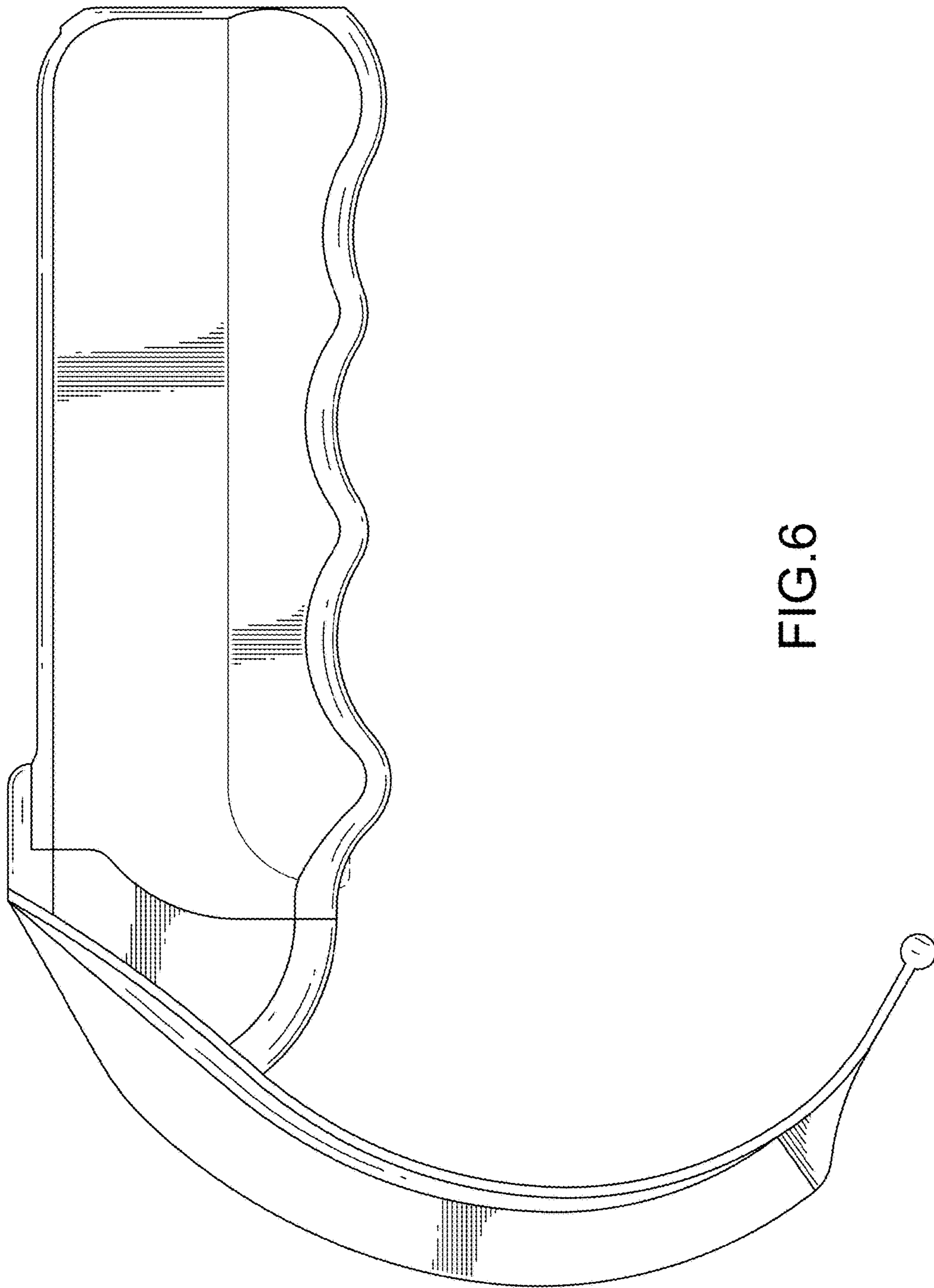


FIG.6

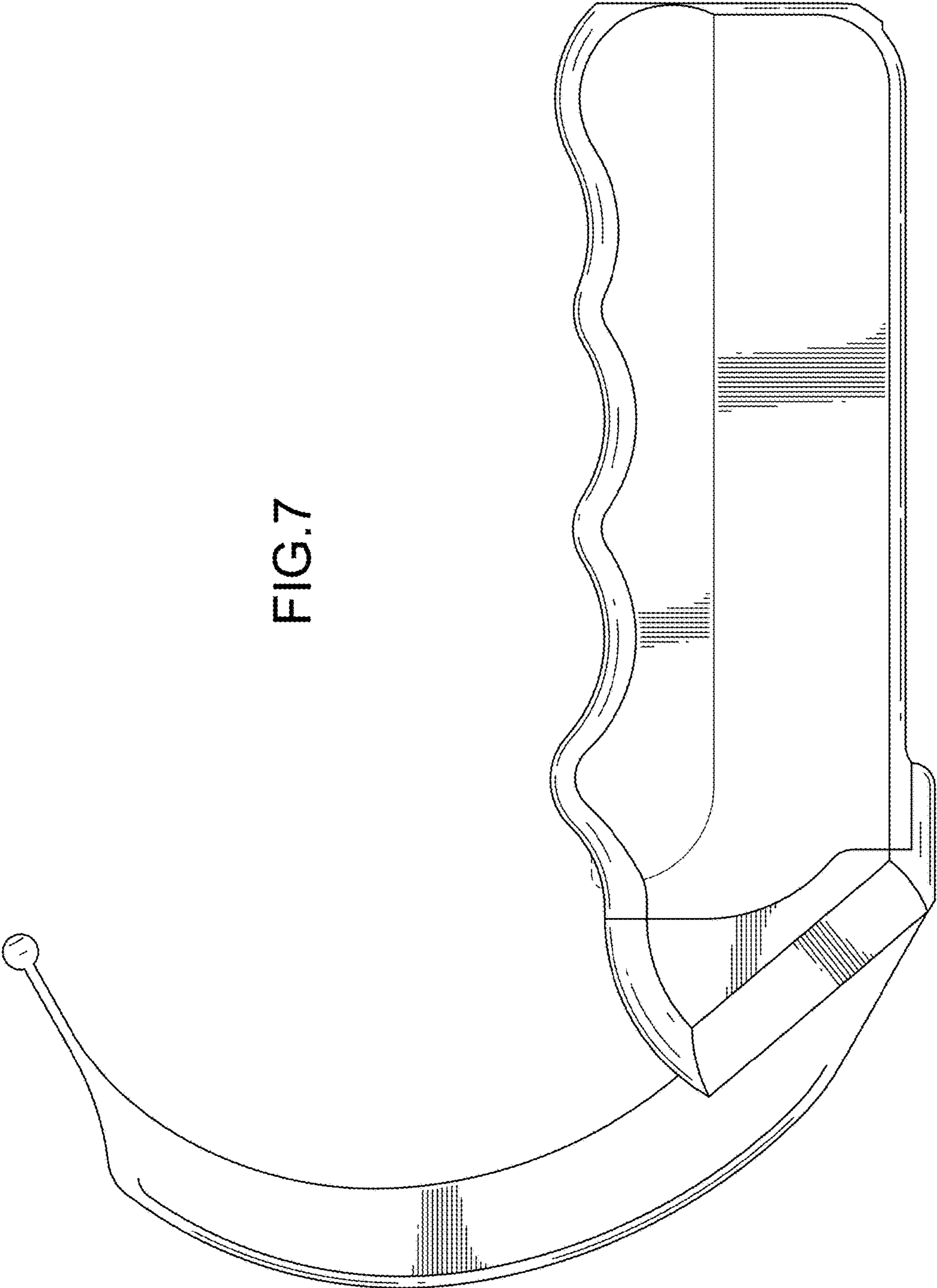


FIG. 7