



US00D816836S

(12) **United States Design Patent** (10) **Patent No.:** **US D816,836 S**  
**Mueller** (45) **Date of Patent:** **\*\* May 1, 2018**

(54) **SEALING DEVICE FOR A SURGICAL INSTRUMENT OR MEDICAL INSTRUMENT**

(71) Applicant: **KARL STORZ GmbH & Co. KG,**  
Tuttlingen (DE)

(72) Inventor: **Annika Mueller,** Geislingen (DE)

(73) Assignee: **KARL STORZ GmbH & Co. KG,**  
Tuttlingen (DE)

(\*\*) Term: **15 Years**

(21) Appl. No.: **29/530,825**

(22) Filed: **Jun. 19, 2015**

(30) **Foreign Application Priority Data**

Dec. 19, 2014 (EM) ..... 002601872-0001

(51) **LOC (11) Cl.** ..... **24-02**

(52) **U.S. Cl.**  
USPC ..... **D24/133**

(58) **Field of Classification Search**  
USPC ..... D24/137, 138, 121, 112, 194, 133;  
D6/300; D8/402, 403, 400; D9/759,  
D9/424, 432, 442

CPC ..... A61B 17/0057; A61B 2017/00659; A61B  
1/00137; A61B 1/018; A61B 2017/00637;  
A61B 2018/0063; A61B 17/3423; A61B  
17/3498; A61B 2017/3419; A61B  
2018/0666; A61M 16/20; A61F  
2250/0069

See application file for complete search history.

(56) **References Cited**

**U.S. PATENT DOCUMENTS**

D472,970 S \* 4/2003 Lund ..... D24/140  
D513,322 S \* 12/2005 Jackson, III ..... D24/176

8,864,659 B2 \* 10/2014 Davis ..... A61B 17/3423  
600/205  
9,247,956 B2 \* 2/2016 Kleyman ..... A61B 17/3423  
D755,374 S \* 5/2016 Oberlaender ..... D24/133  
2006/0161049 A1 \* 7/2006 Beane ..... A61B 42/10  
600/207  
2009/0093850 A1 \* 4/2009 Richard ..... A61B 17/3423  
606/300  
2010/0261975 A1 \* 10/2010 Huey ..... A61B 17/3423  
600/208  
2011/0166425 A1 \* 7/2011 Edelman ..... A61B 17/3421  
600/208  
2013/0303857 A1 \* 11/2013 Albrecht ..... A61B 17/0293  
600/206

**OTHER PUBLICATIONS**

CE Smith Roller Bunks posted by etrailer.com on Mar. 18, 2015  
found on Jun. 20, 2017 at <https://www.etrailer.com/Boat-Trailer-Parts/CE-Smith/CE27710.html>.\*

\* cited by examiner

*Primary Examiner* — Janice Hallmark

*Assistant Examiner* — Eliza Z Bennett-Hattan

(74) *Attorney, Agent, or Firm* — Muncy, Geissler, Olds &  
Lowe, P.C.

(57) **CLAIM**

The ornamental design for a sealing device for a surgical  
instrument or medical instrument, as shown and described.

**DESCRIPTION**

FIG. 1 is a front perspective view of an sealing device for a  
surgical instrument or medical instrument according to the  
present invention.

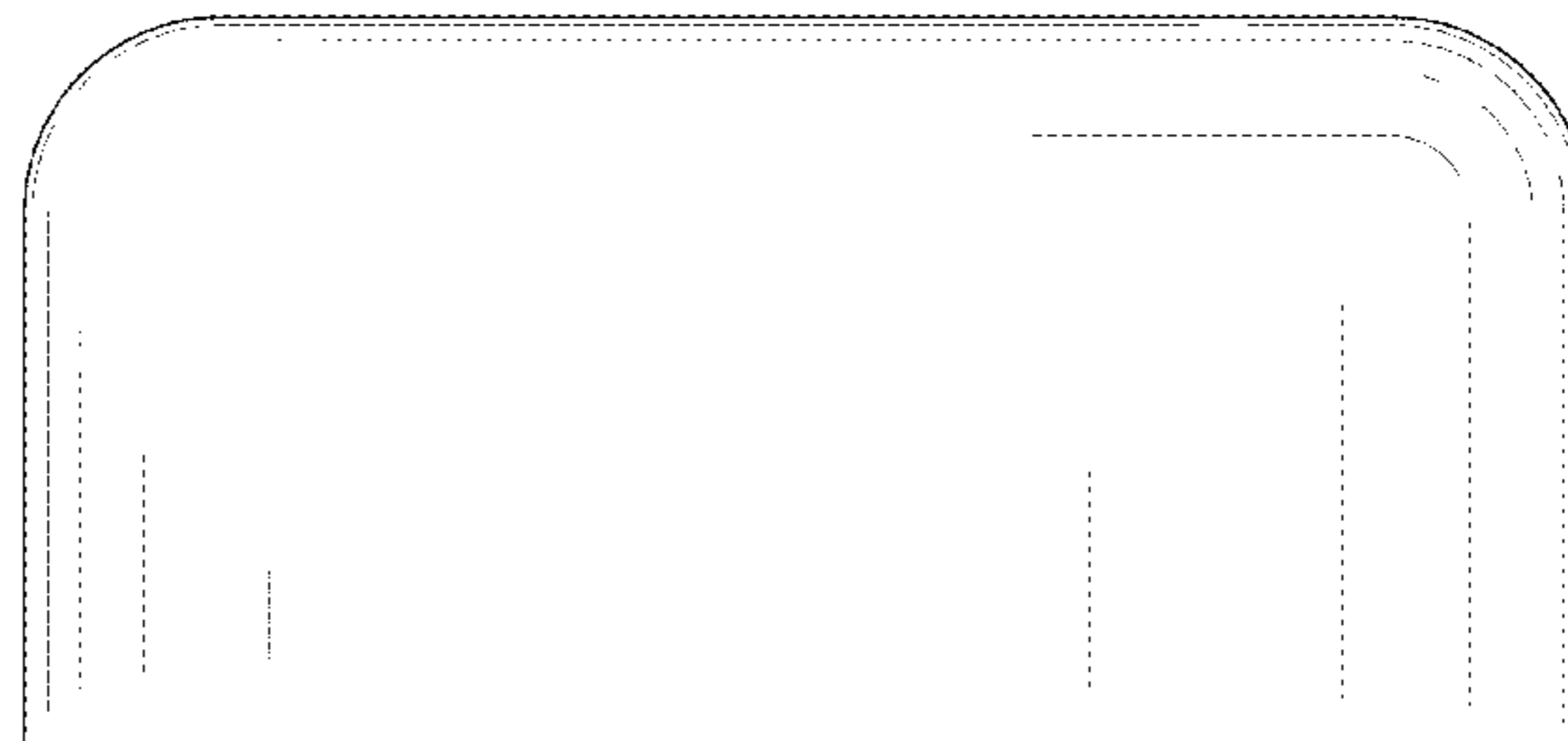
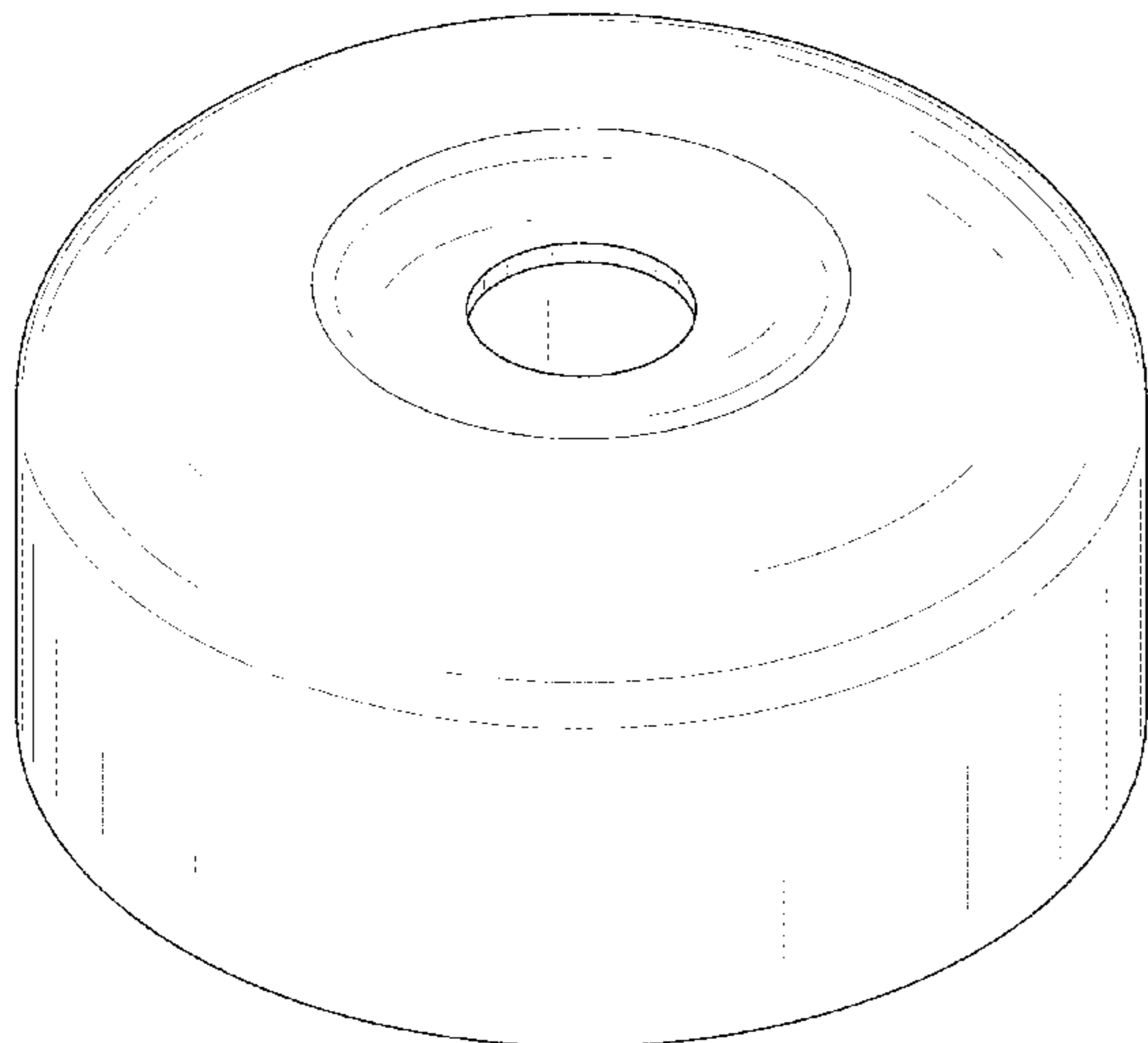
FIG. 2 is a side view thereof.

FIG. 3 is a top view thereof.

FIG. 4 is a bottom view thereof; and,

FIG. 5 is a bottom perspective view thereof.

**1 Claim, 5 Drawing Sheets**



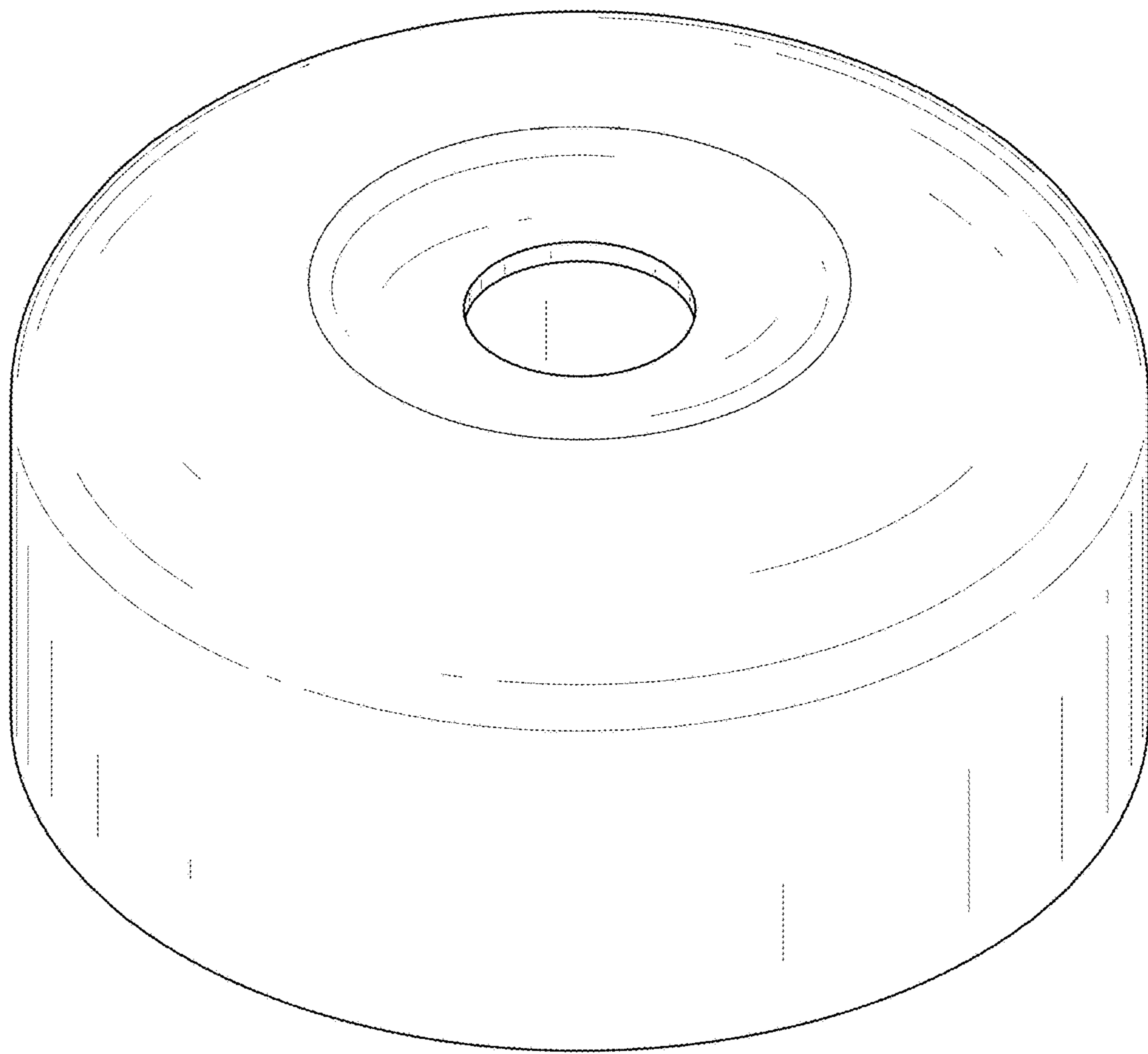


FIG.1

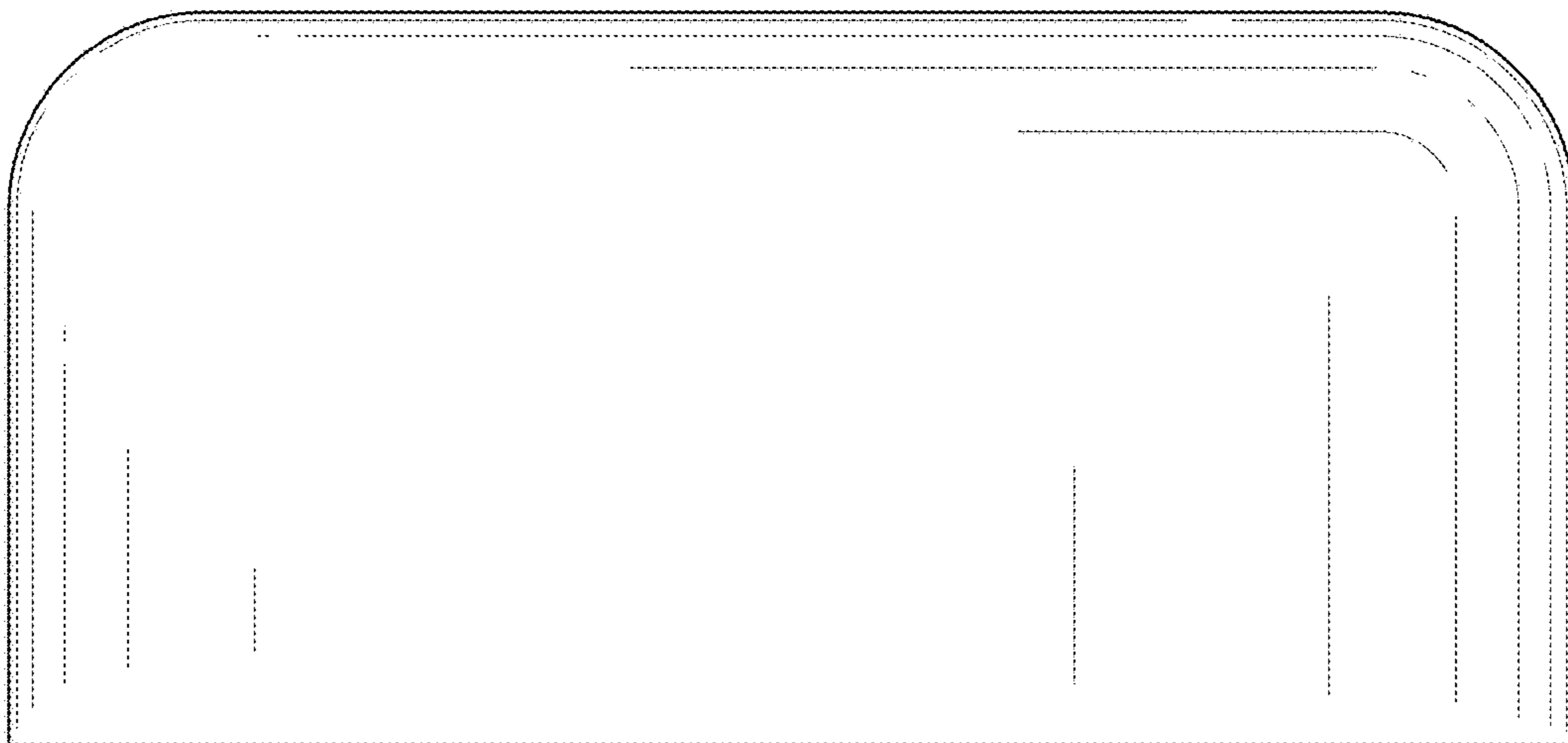


FIG.2

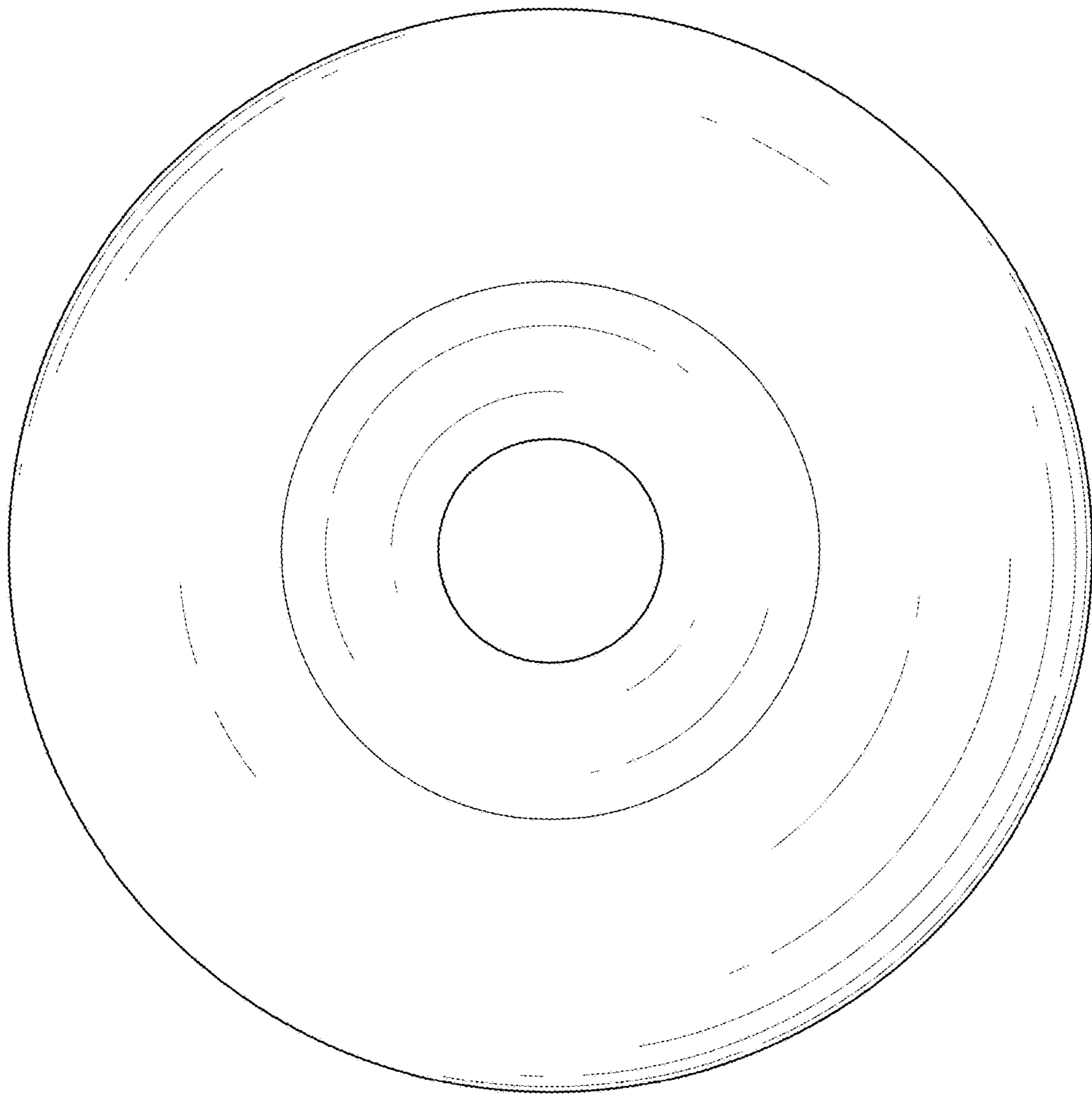


FIG. 3

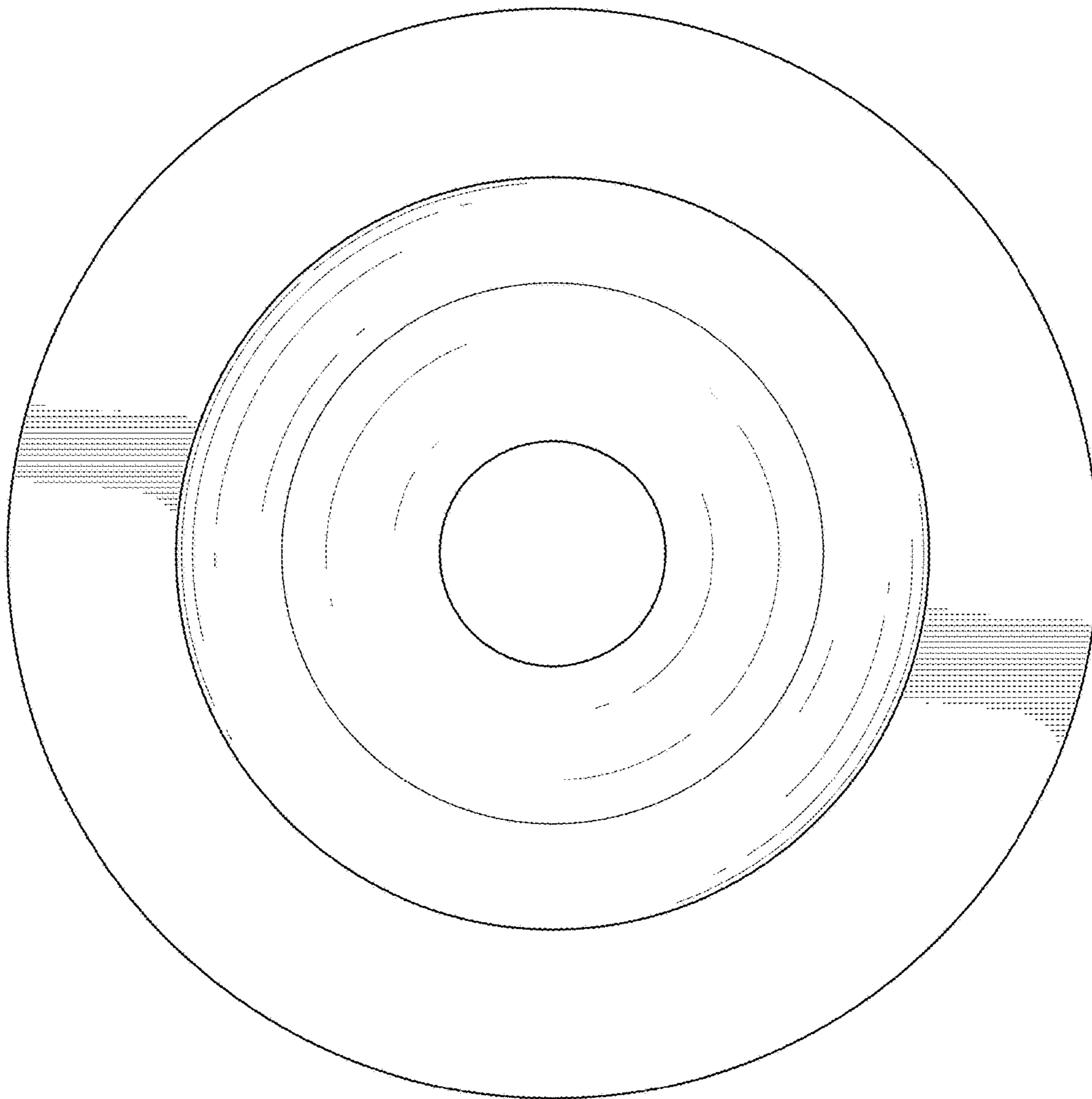


FIG.4

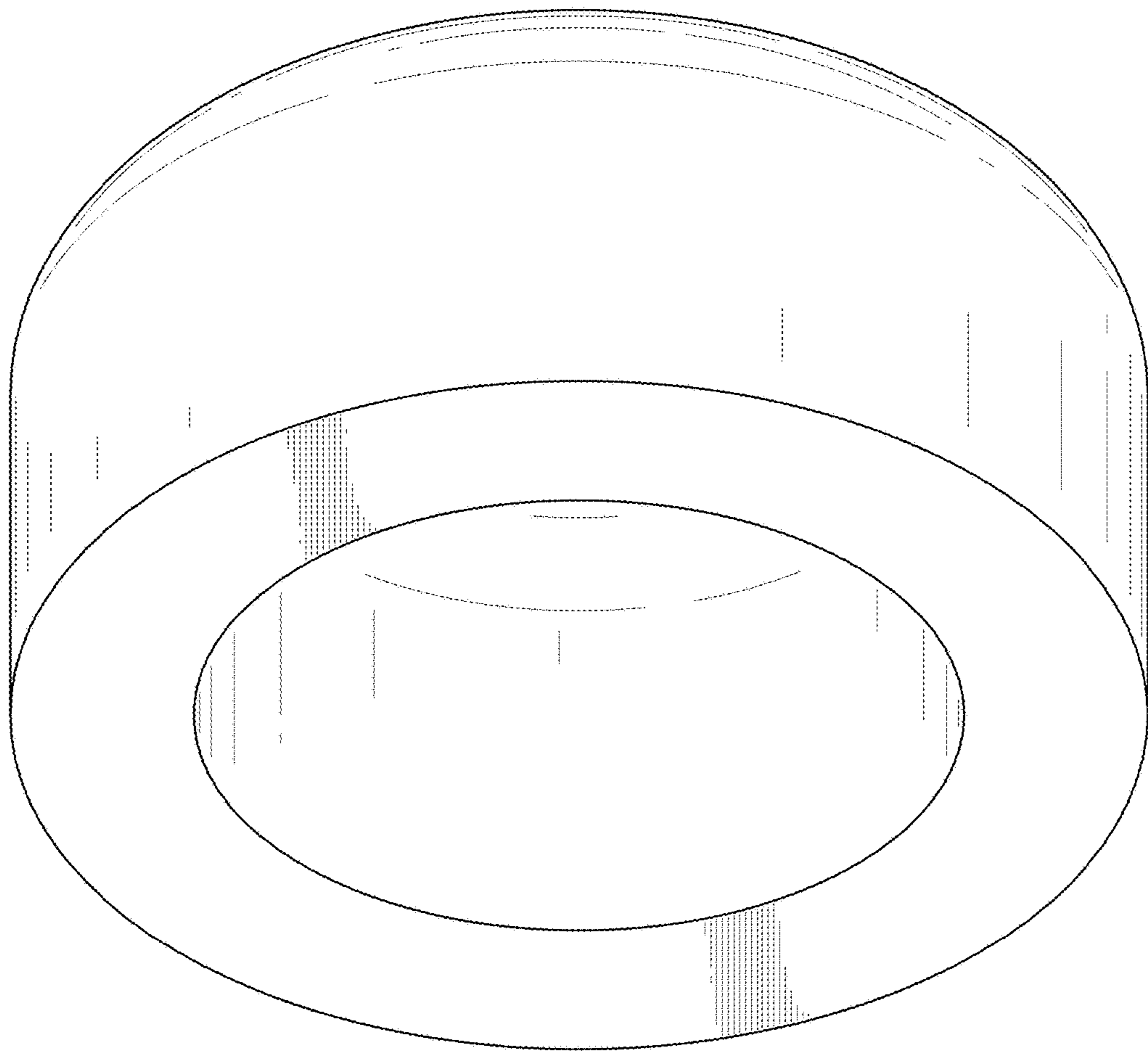


FIG.5