



US00D816834S

(12) **United States Design Patent** (10) **Patent No.:** **US D816,834 S**  
**Knight et al.** (45) **Date of Patent:** **\*\* May 1, 2018**

(54) **CAP FOR INJECTOR** 5,489,275 A \* 2/1996 Thompson ..... A61M 25/00  
604/111  
(71) Applicant: **UCB Biopharma SPRL**, Brussels (BE) 6,017,331 A \* 1/2000 Watts ..... A61M 5/24  
604/201  
(72) Inventors: **Barry Alan Knight**, Berkshire (GB); D431,864 S \* 10/2000 Jansen ..... D24/129  
**Marko Plevnik**, London (GB); D439,345 S \* 3/2001 Herchenbach ..... D24/224  
**Norihiko Inoue**, London (GB); **Jamie** D453,572 S \* 2/2002 Livecchi ..... D24/224  
**Buckley**, London (GB); **Lisa Hornsey**, D465,846 S \* 11/2002 Hwang ..... D24/130  
London (GB) D495,060 S \* 8/2004 Hellstrom ..... D24/224  
D529,603 S \* 10/2006 Knickerbocker ..... D24/110  
D565,732 S \* 4/2008 Pech ..... D24/130  
D589,612 S \* 3/2009 Sudo ..... D24/130  
(73) Assignee: **UCB BIOPHARMA SPRL**, Brussels D591,438 S \* 4/2009 Hama ..... D24/133  
(BE) D620,604 S \* 7/2010 Alford ..... D24/224  
D631,542 S \* 1/2011 DeGross ..... D24/129  
D641,088 S \* 7/2011 Giraud ..... D24/224  
D641,467 S \* 7/2011 Amann ..... D24/129  
D652,917 S \* 1/2012 Hill ..... D24/129  
(\*\*) Term: **15 Years**

(21) Appl. No.: **29/602,191**

(22) Filed: **Apr. 28, 2017**

(51) **LOC (11) Cl.** ..... **24-02**

(52) **U.S. Cl.**  
USPC ..... **D24/130**

(58) **Field of Classification Search**  
USPC ..... D24/130, 129, 112-114, 127, 104, 133,  
D24/186, 108; 606/181, 185; 604/264,  
604/272, 115, 164.01-164.09, 533, 232,  
604/187, 168.01, 192, 19, 48, 93.01, 523,  
604/524, 526; 600/101, 139, 143;  
128/200.24, 207.14, 207.15; 601/67  
CPC ..... A61M 5/5086; A61M 2005/3104; A61M  
39/045; A61M 2005/312; A61M 5/50  
See application file for complete search history.

(56) **References Cited**

**U.S. PATENT DOCUMENTS**

D304,972 S \* 12/1989 Baxter ..... D24/224  
D335,349 S \* 5/1993 Lyon ..... D24/151  
D337,259 S \* 7/1993 Curtis ..... D24/110  
D345,420 S \* 3/1994 Stewart, Sr. .... D15/7  
5,466,020 A \* 11/1995 Page ..... F16L 37/252  
215/332

(Continued)  
*Primary Examiner* — David G Muller  
*Assistant Examiner* — Nathan M Johnston  
(74) *Attorney, Agent, or Firm* — Muncy, Geissler, Olds & Lowe, P.C.

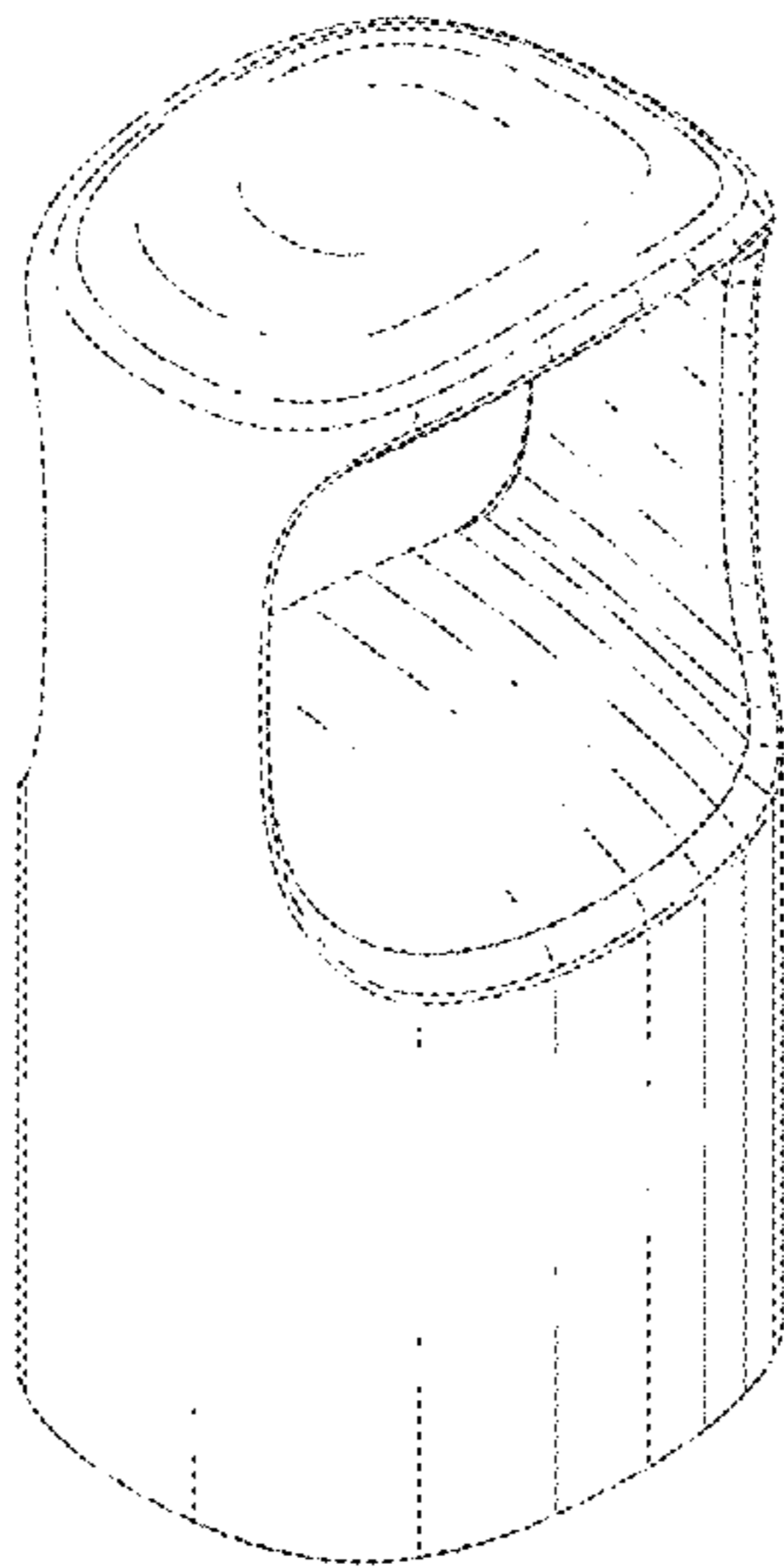
(57) **CLAIM**

The ornamental design for a cap for injector, as shown and described.

**DESCRIPTION**

FIG. 1 is a front, right perspective view of the cap for injector showing our new design, the front, left perspective view being a mirror image thereof; FIG. 2 is a front elevation view thereof; FIG. 3 is a rear elevation view thereof; FIG. 4 is a left side elevation view thereof; FIG. 5 is a right side elevation view thereof; FIG. 6 is a top plan view thereof; and, FIG. 7 is a bottom plan view thereof. The broken line showing is for the purpose of illustrating environmental structure, and forms no part of the claimed design.

**1 Claim, 7 Drawing Sheets**



(56)

**References Cited**

U.S. PATENT DOCUMENTS

D655,001	S *	2/2012	Becker .....	D24/130
D659,819	S *	5/2012	Edwards .....	D24/110
D660,417	S *	5/2012	Eury .....	D24/129
8,323,212	B2 *	12/2012	Sakata .....	A61L 35/150572
				600/573
D695,416	S *	12/2013	Saliaris .....	D24/224
D726,323	S *	4/2015	Peuker .....	D24/176
D746,447	S *	12/2015	Wheeler .....	D24/129
D759,836	S *	6/2016	Wainwright .....	D24/216
D760,385	S *	6/2016	McKee .....	D24/128
D765,835	S *	9/2016	Kammer .....	D24/121
D782,694	S *	3/2017	Wainwright .....	D24/224
D784,524	S *	4/2017	Corbin .....	D24/127
D790,054	S *	6/2017	Prentice .....	D24/110
D799,028	S *	10/2017	Giancursio, II .....	D24/122
D800,587	S *	10/2017	Cho .....	D10/74
D802,760	S *	11/2017	Neby .....	D24/130
2002/0092521	A1 *	7/2002	Sullivan .....	A61M 15/0028
				128/200.24
2009/0229601	A1 *	9/2009	Aguilar .....	A61M 16/0488
				128/200.26

\* cited by examiner

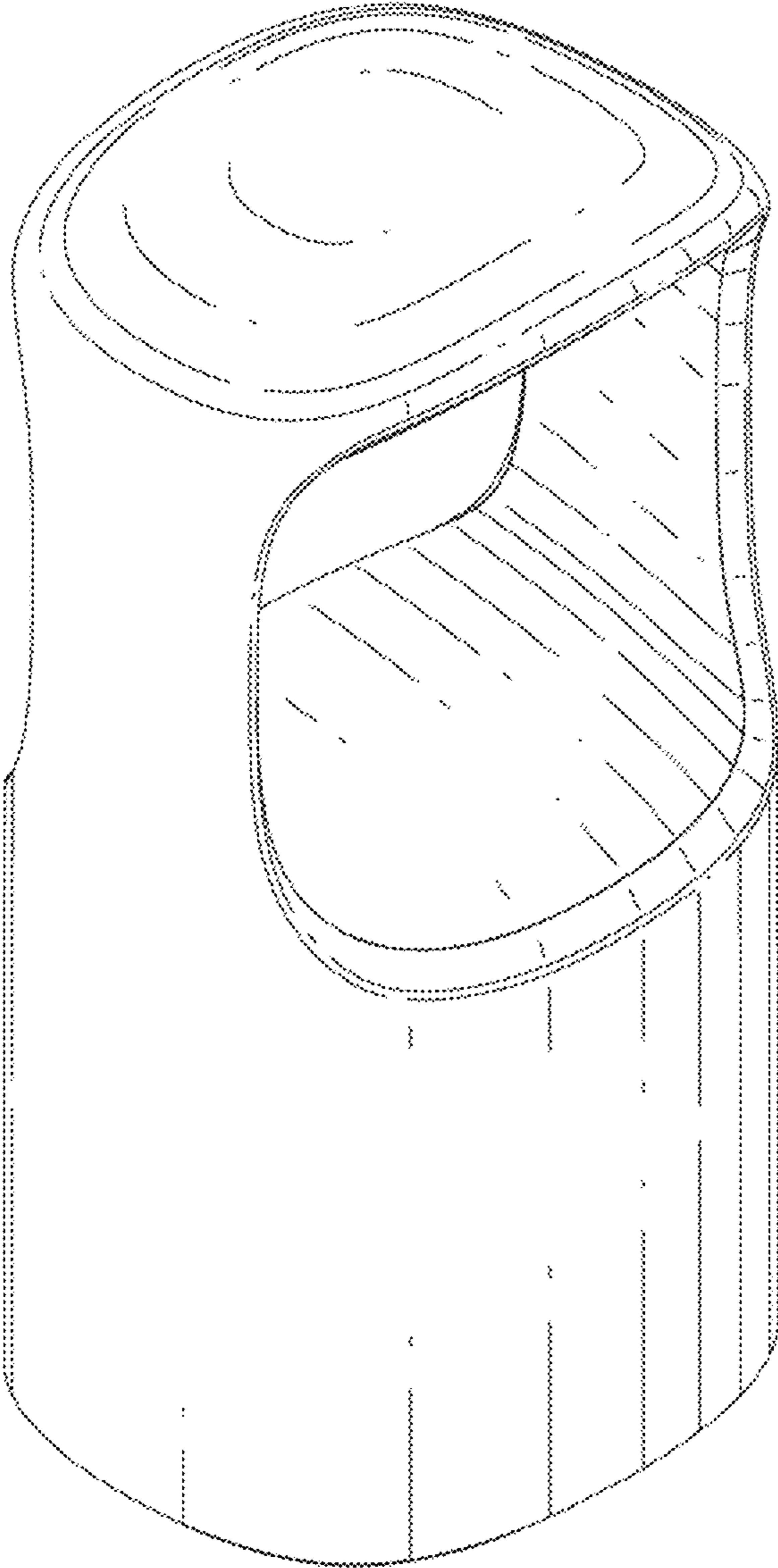


FIG. 1

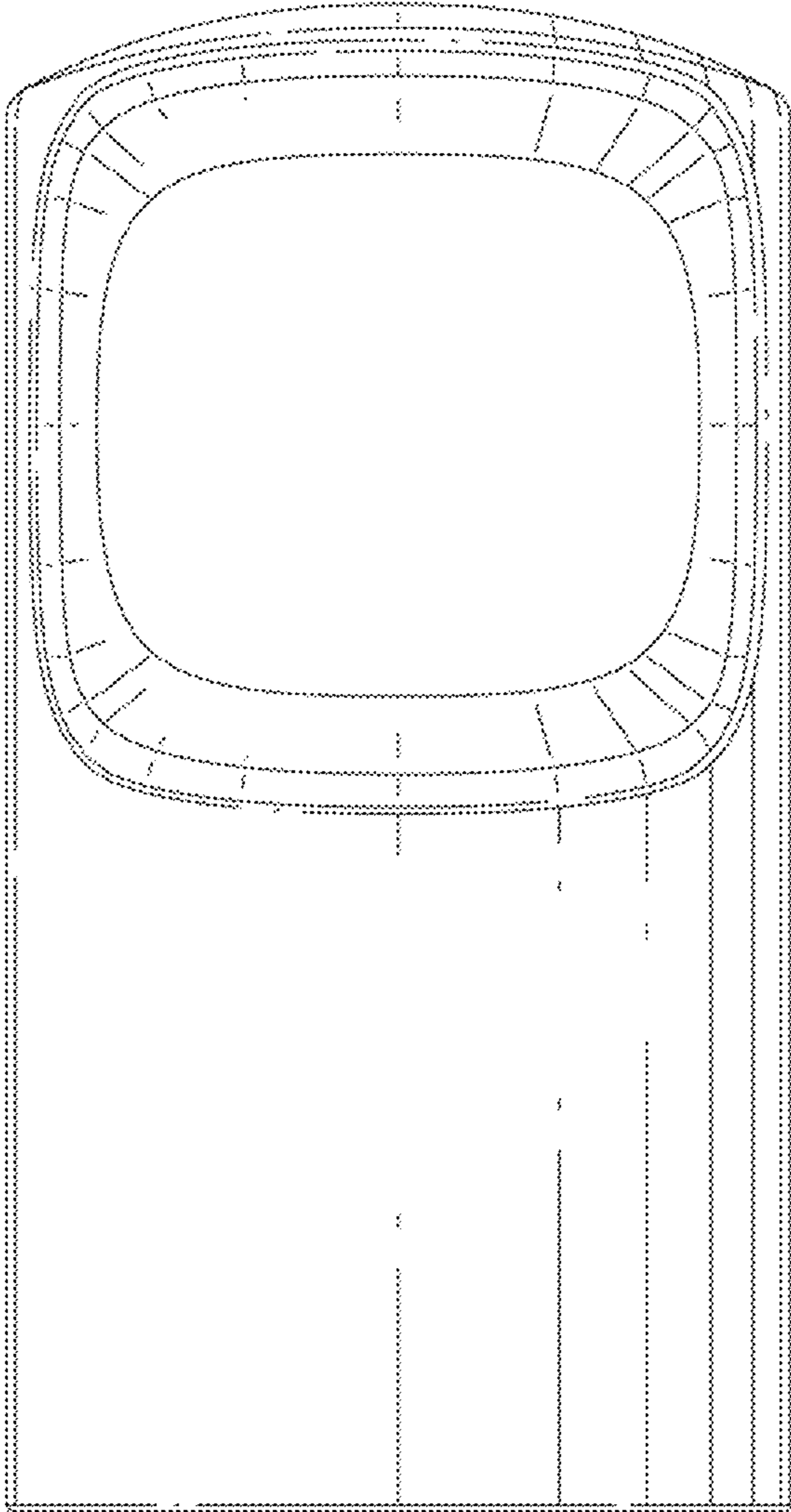


FIG. 2

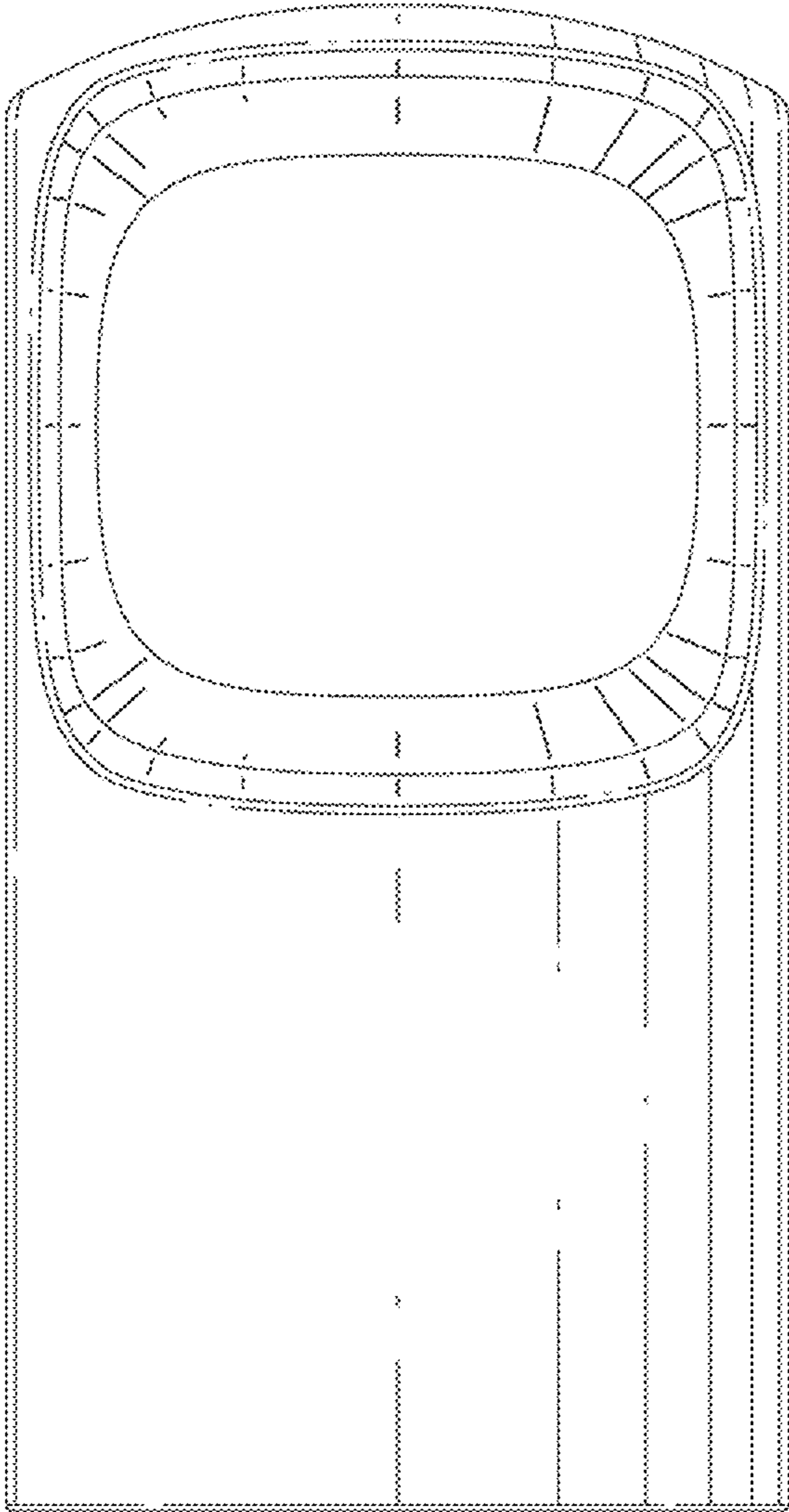


FIG. 3

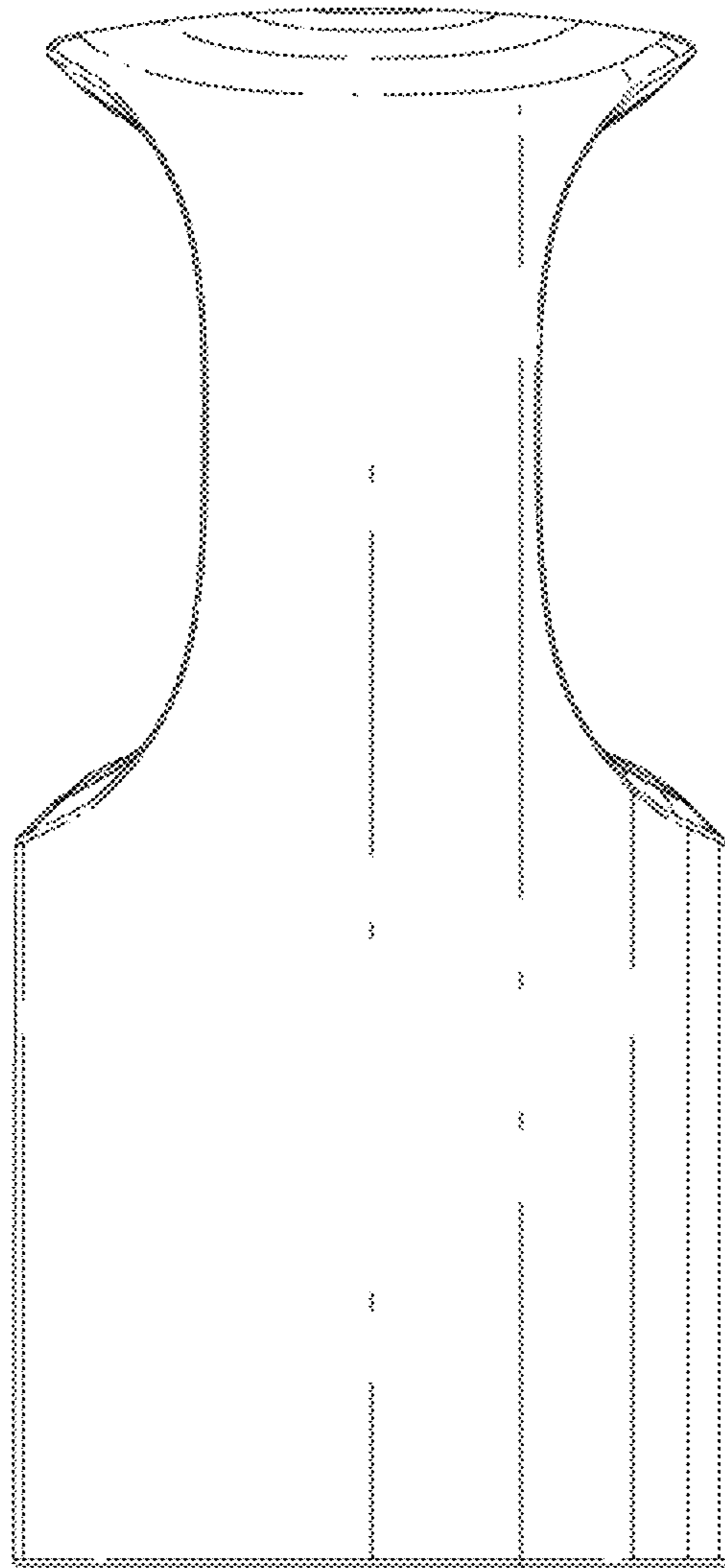


FIG. 4

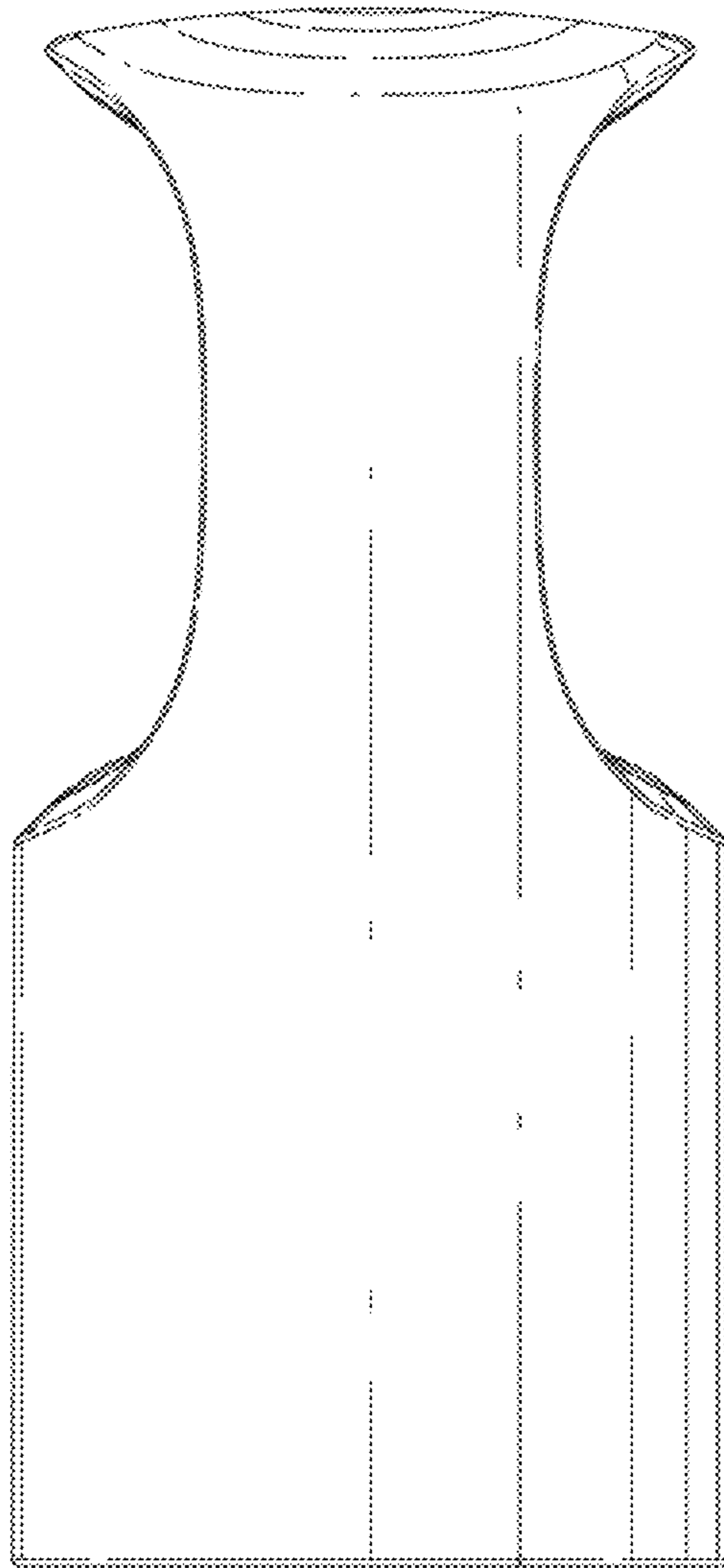
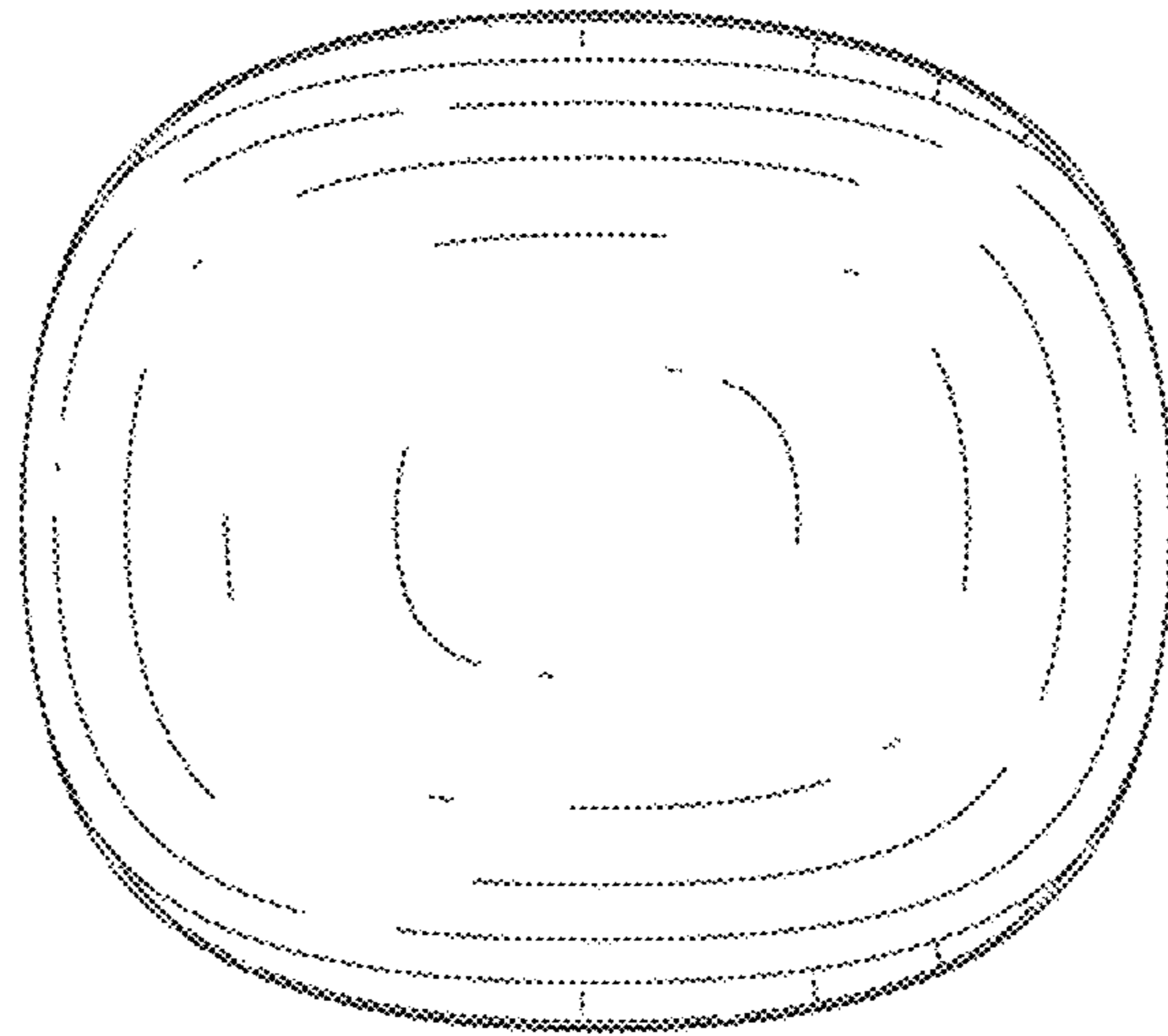
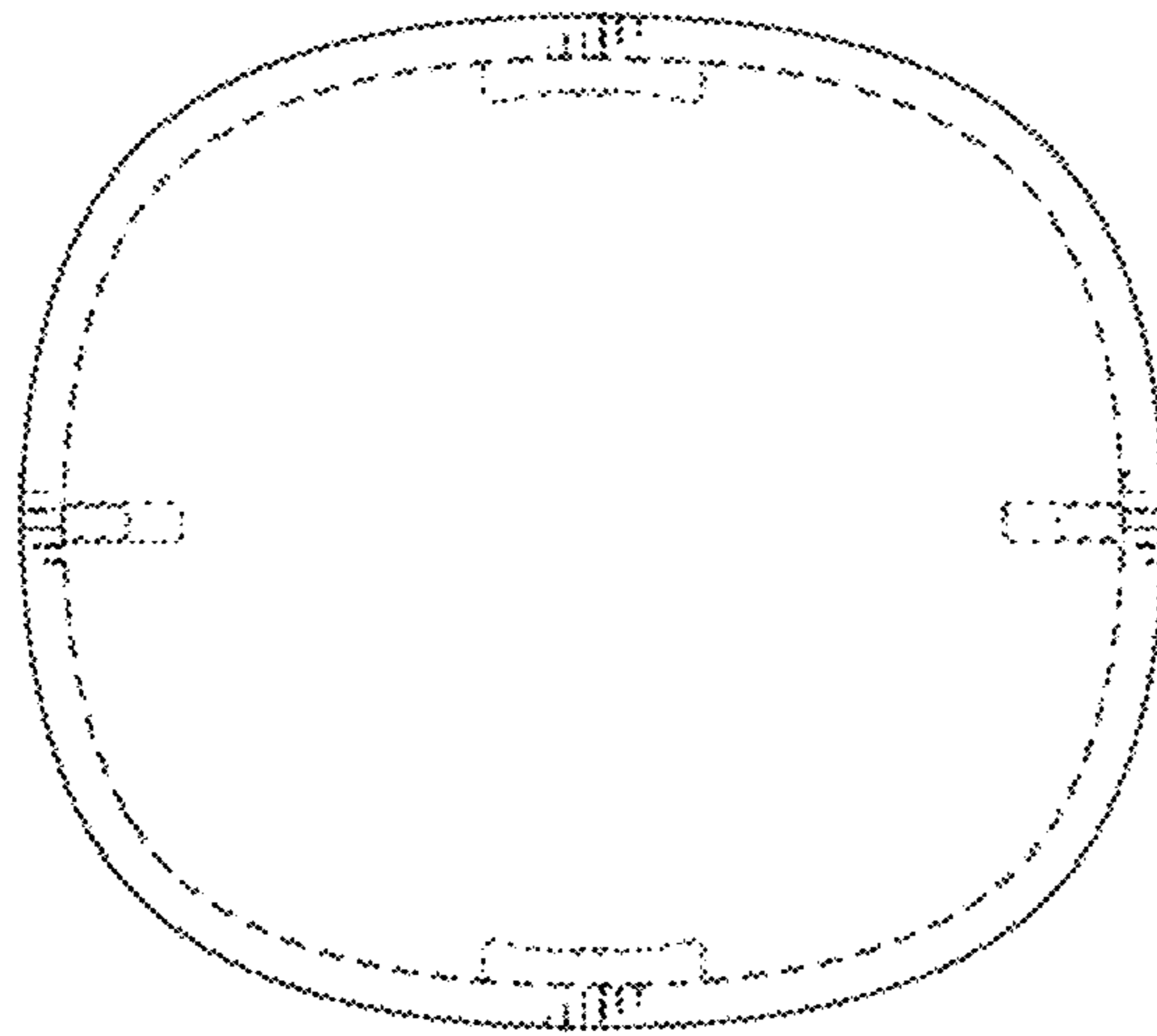


FIG. 5



*FIG. 6*





**FIG. 7**