



US00D816832S

(12) **United States Design Patent** (10) **Patent No.:** **US D816,832 S**  
**Ho et al.** (45) **Date of Patent:** **\*\* May 1, 2018**

(54) **STABILIZER**

(71) Applicant: **Evalve, Inc.**, Menlo Park, CA (US)

(72) Inventors: **Patricia H. Ho**, Redwood City, CA (US); **Christopher T. Strahm**, Deforest, WI (US); **Travis R. Marsot**, Mountain View, CA (US); **Randall S. Koplín**, Middleton, WI (US); **Justen D. England**, San Francisco, CA (US)

(73) Assignee: **EVALVE, INC.**, Menlo Park, CA (US)

(\*\*) Term: **15 Years**

(21) Appl. No.: **29/542,027**

(22) Filed: **Oct. 9, 2015**

(51) **LOC (11) Cl.** ..... **24-02**

(52) **U.S. Cl.**  
USPC ..... **D24/128**

(58) **Field of Classification Search**  
USPC ..... D24/127-131, 112-114, 133, 186;  
606/181, 185; 605/264, 523-528, 272,  
605/187, 158, 164.01-164.11, 181, 184,  
605/227; 600/101, 139, 143;  
128/200.24, 207.14, 207.15  
CPC .. A61M 25/065; A61M 5/42; A61M 25/0612;  
A61B 90/11

See application file for complete search history.

(56) **References Cited**

**U.S. PATENT DOCUMENTS**

D406,337 S \* 3/1999 Baust ..... D24/133  
D460,174 S \* 7/2002 Gallagher ..... D24/113  
D481,128 S \* 10/2003 Koros ..... D24/133  
D509,587 S \* 9/2005 McMinn ..... D24/133  
7,938,810 B2 \* 5/2011 Spranza ..... A61B 90/11  
604/264  
8,079,444 B1 12/2011 Rands et al.  
D666,711 S \* 9/2012 Baid ..... D24/128  
8,357,175 B2 \* 1/2013 Mark ..... A61B 1/313  
606/170

D702,833 S \* 4/2014 Cecchi ..... D24/128  
8,986,246 B2 3/2015 Foley et al.  
9,132,873 B1 9/2015 Laurence et al.  
D750,224 S \* 2/2016 Miyano ..... D24/113  
D750,773 S \* 3/2016 Eaton ..... D24/128  
D762,300 S \* 7/2016 Breitweiser ..... D24/128  
9,687,209 B2 \* 6/2017 Lee ..... A61B 8/0841  
9,782,224 B2 \* 10/2017 Piccin ..... A61B 90/11

(Continued)

**FOREIGN PATENT DOCUMENTS**

EP 1356773 10/2003  
WO WO 9309738 5/1993

**OTHER PUBLICATIONS**

U.S. Appl. No. 14/879,674, filed Oct. 9, 2015, Ho et al.  
U.S. Appl. No. 14/879,674, filed Oct. 25, 2017, Office Action.

*Primary Examiner* — David Muller  
(74) *Attorney, Agent, or Firm* — Workman Nydegger,  
Ron Devore

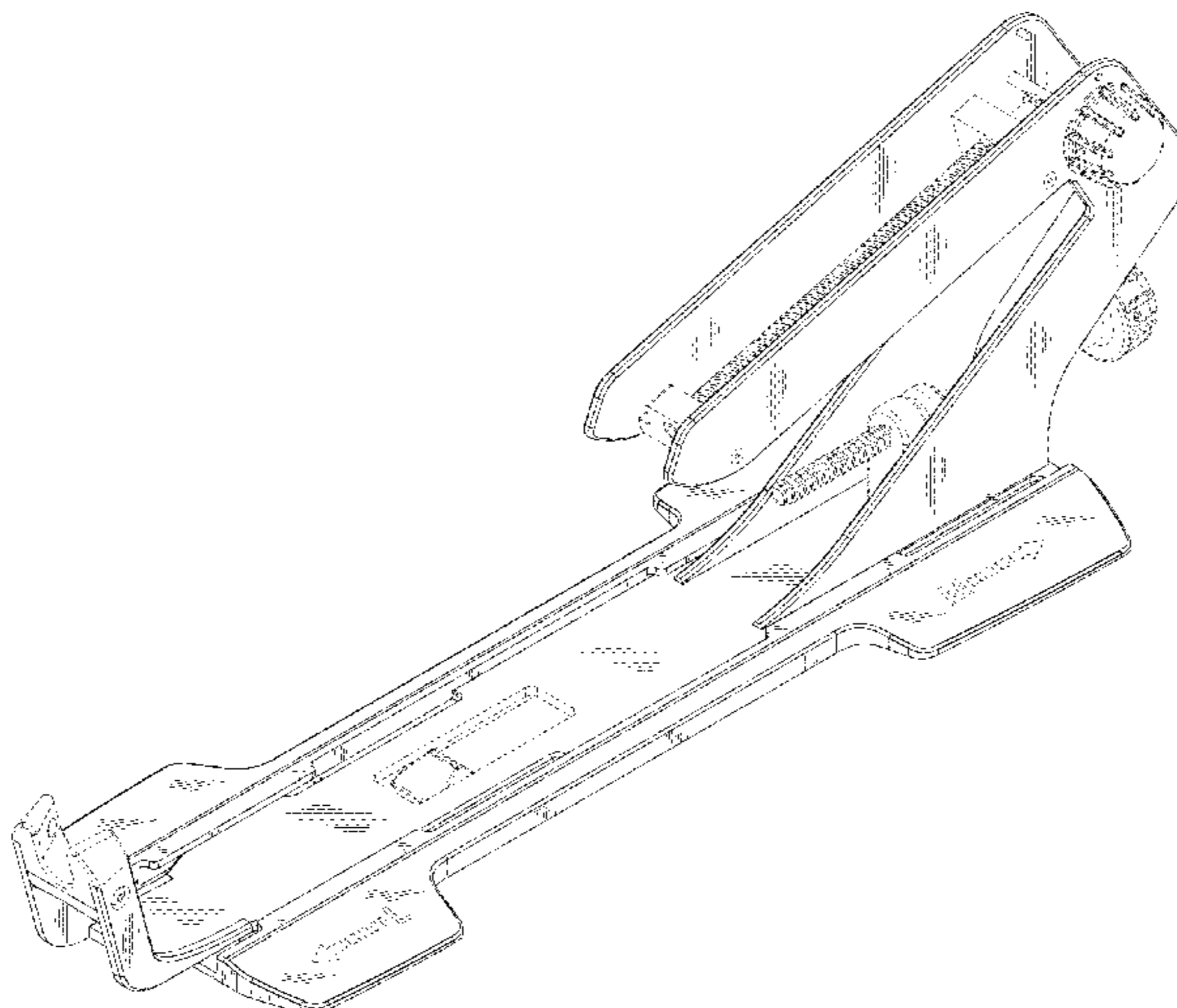
(57) **CLAIM**

The ornamental design for a stabilizer, as shown and described.

**DESCRIPTION**

FIG. 1 is a perspective view of a stabilizer showing the new design;  
FIG. 2 is a bottom perspective view thereof;  
FIG. 3 is a top plan view thereof;  
FIG. 4 is a right side elevation thereof;  
FIG. 5 is a left side elevation thereof;  
FIG. 6 is a bottom plan view thereof;  
FIG. 7 is a front elevational view thereof; and,  
FIG. 8 is a rear elevational view thereof.  
The broken lines depicted in the Figures illustrate portions of the stabilizer that form no part of the claimed design.

**1 Claim, 5 Drawing Sheets**



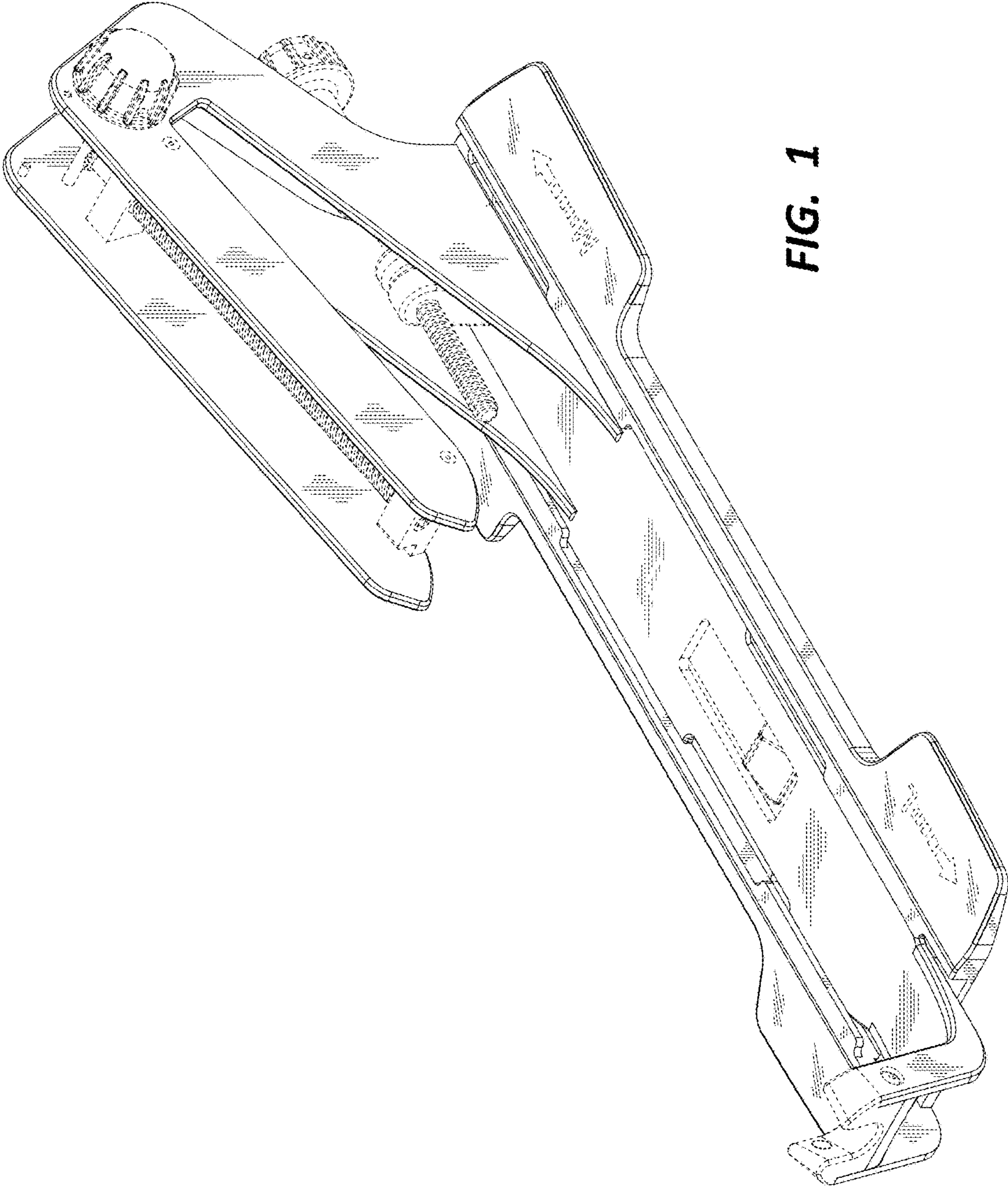
(56)

**References Cited**

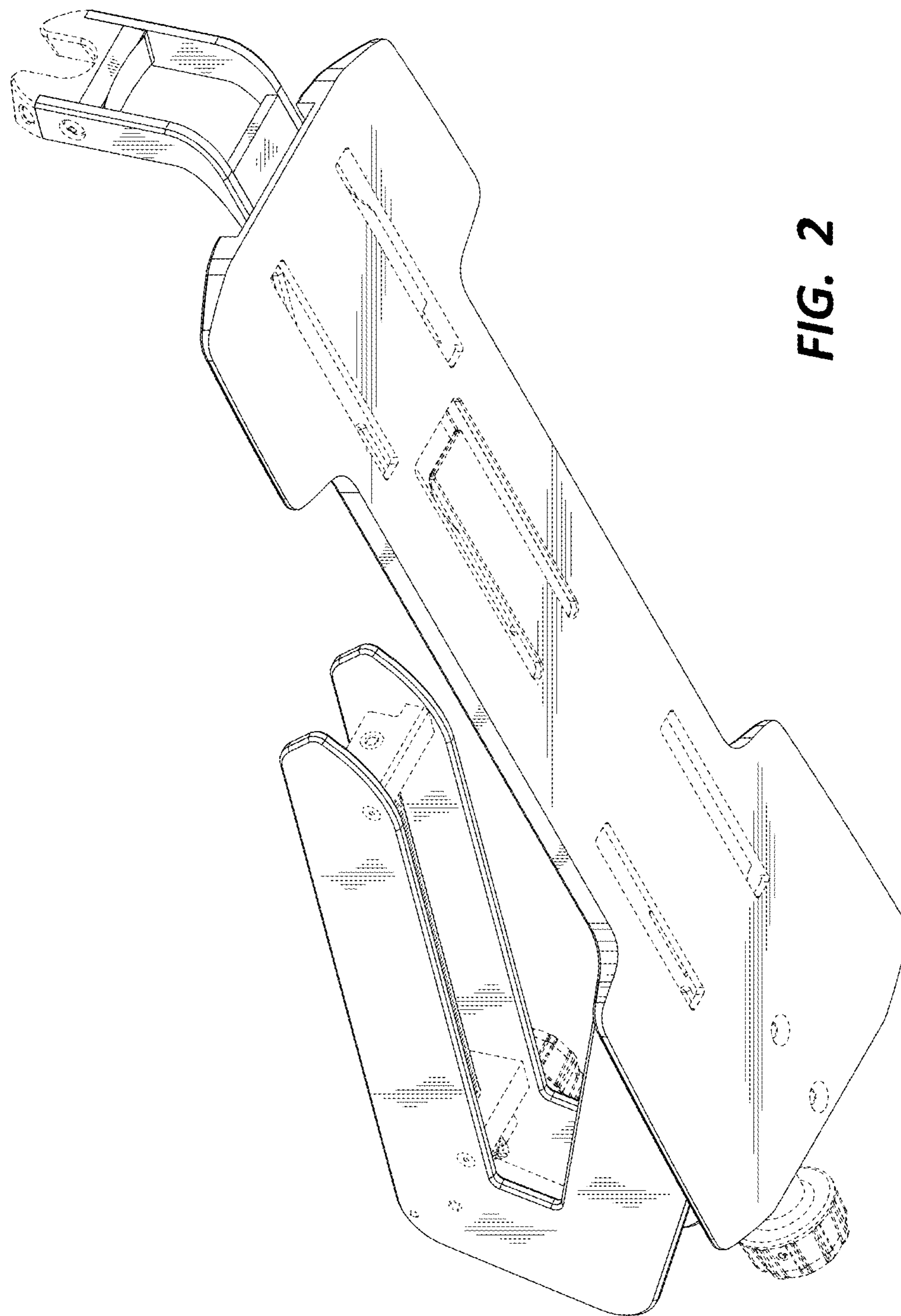
U.S. PATENT DOCUMENTS

2004/0054355 A1 3/2004 Gerbi et al.  
2009/0247859 A1 10/2009 Daum et al.  
2010/0160825 A1 6/2010 Parihar et al.  
2012/0182134 A1 7/2012 Doyle  
2012/0184955 A1 7/2012 Pivotto et al.  
2014/0236198 A1 8/2014 Goldfarb et al.  
2014/0316369 A1 10/2014 Centeno et al.

\* cited by examiner



**FIG. 1**



**FIG. 2**



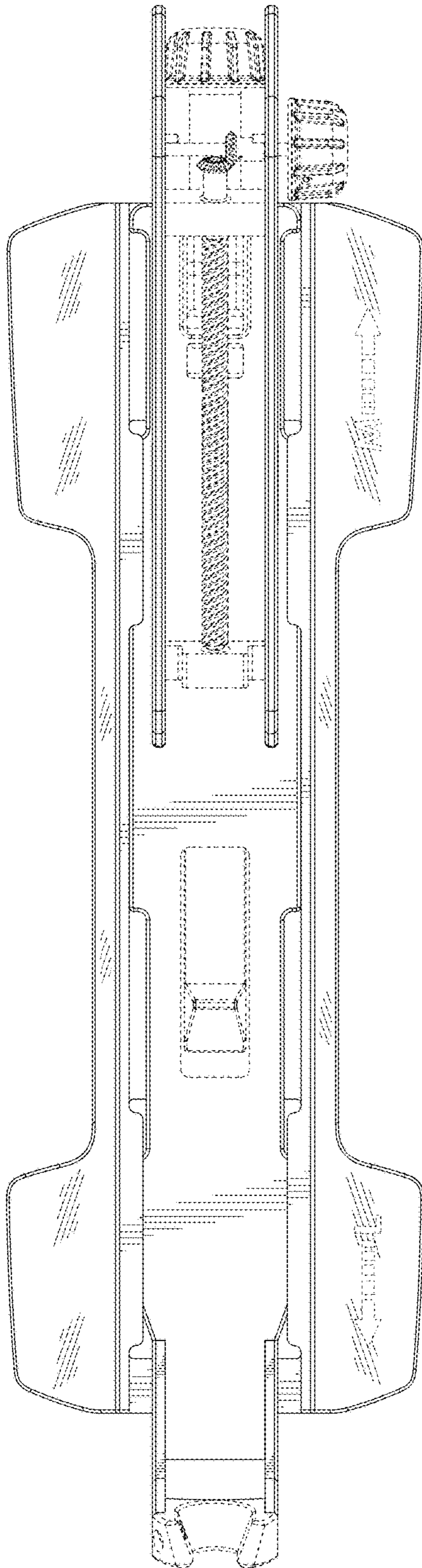


FIG. 3

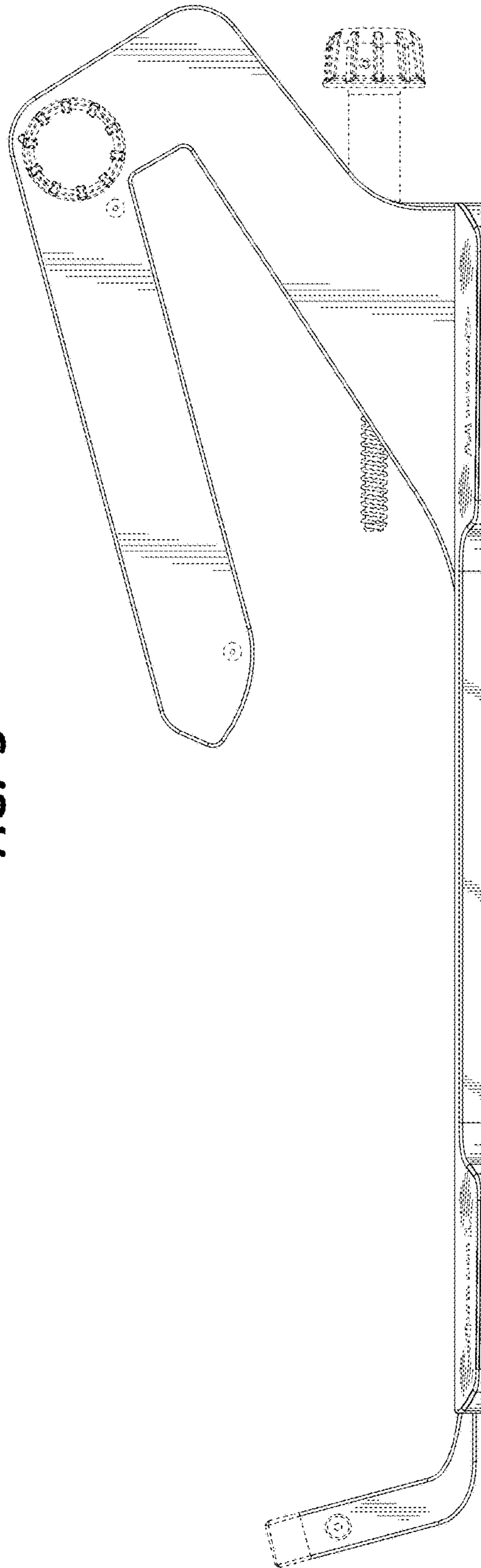


FIG. 4

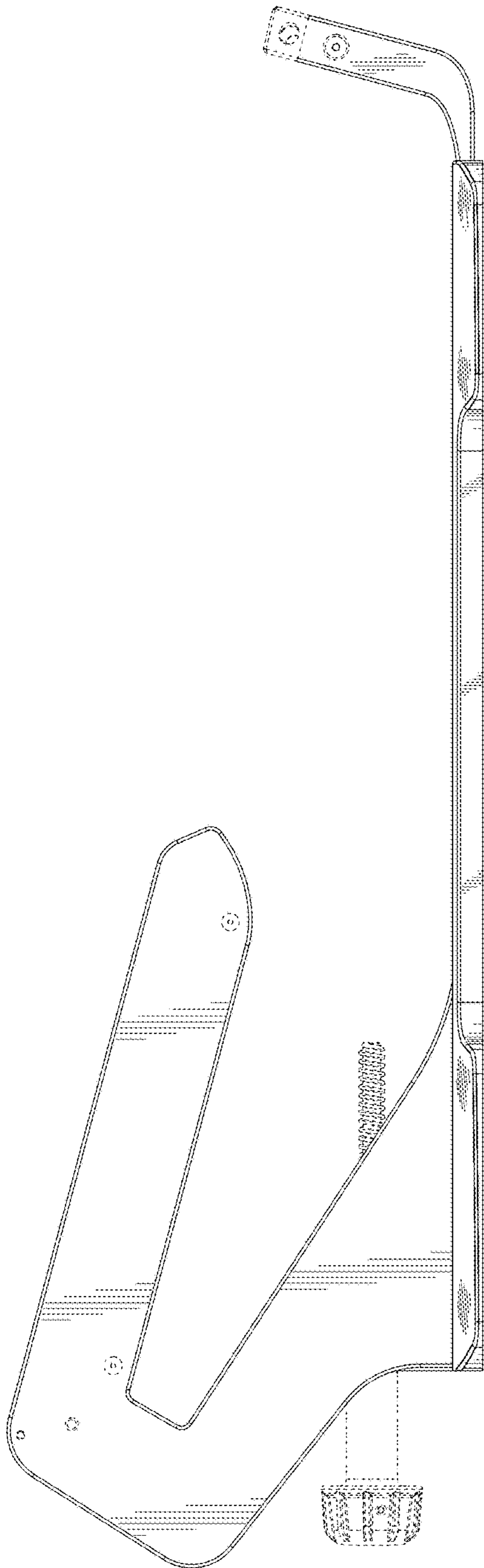


FIG. 5

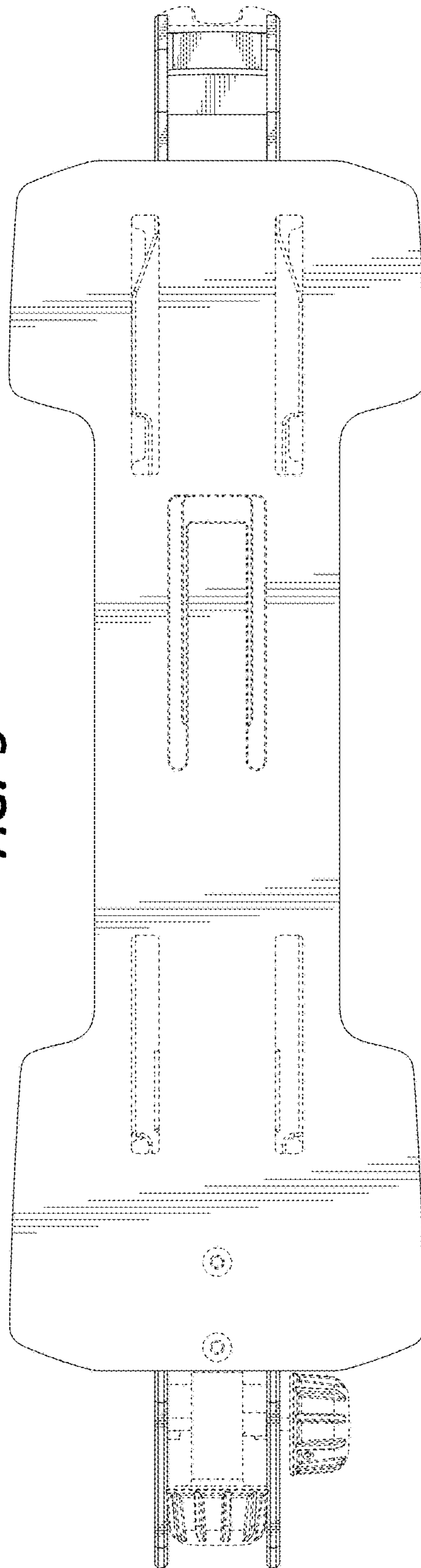
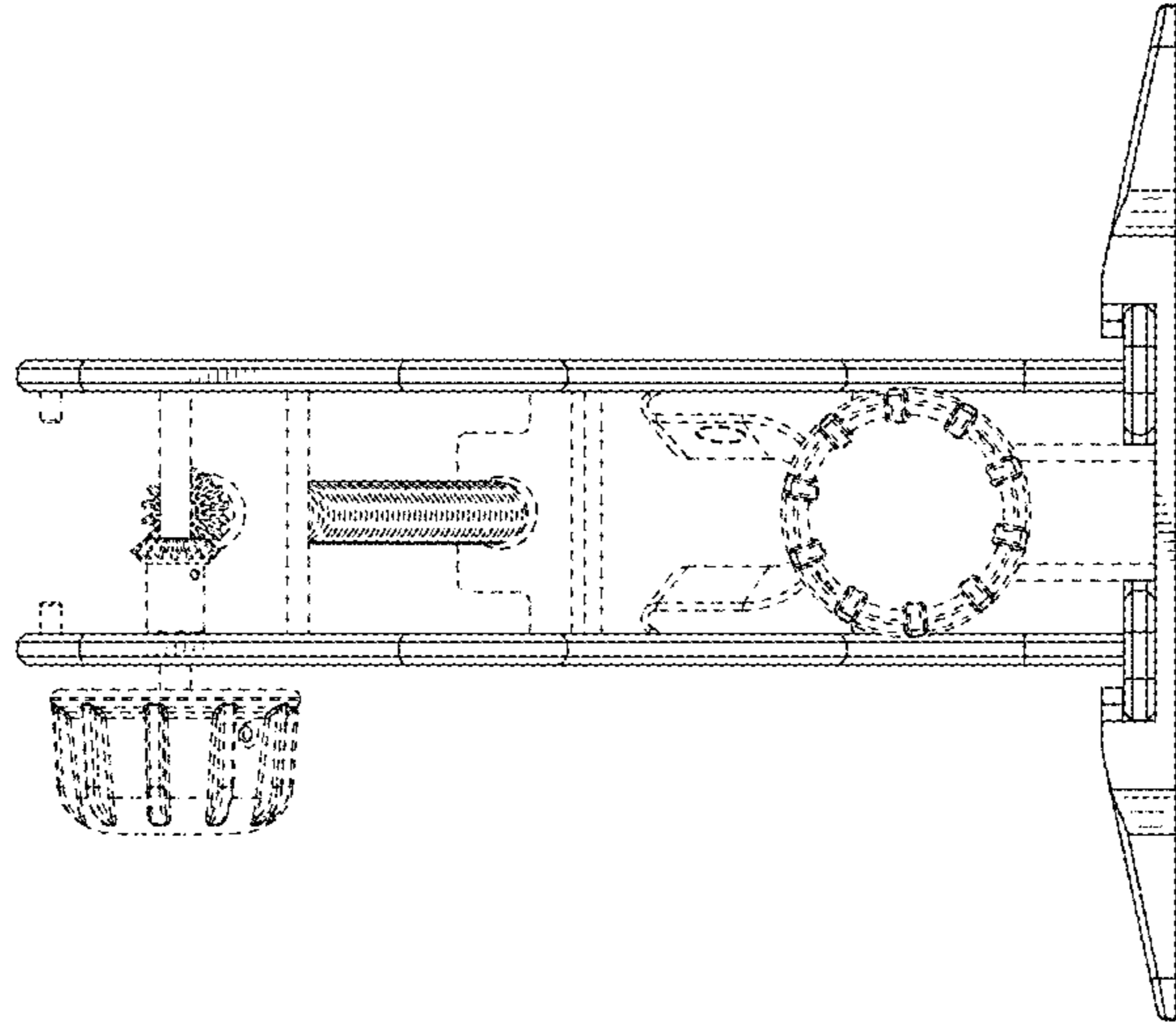
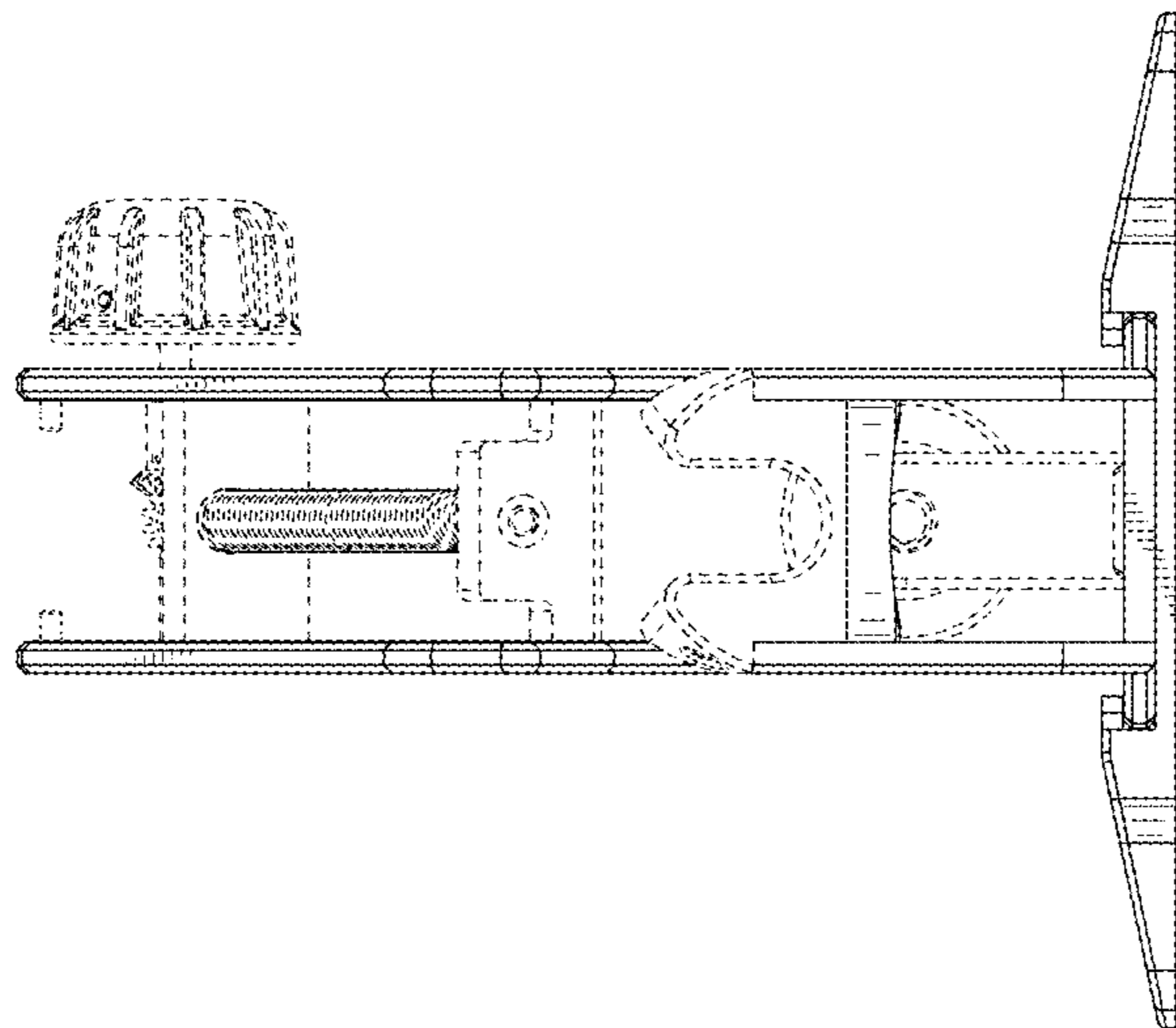


FIG. 6



**FIG. 7**



**FIG. 8**