



US00D816830S

(12) **United States Design Patent**  
**Dziak et al.**

(10) **Patent No.:** **US D816,830 S**  
(45) **Date of Patent:** **\*\* May 1, 2018**

- (54) **CATHETER TUBE**
- (71) Applicant: **Avent, Inc.**, Alpharetta, GA (US)
- (72) Inventors: **Katherine L. Dziak**, Alpharetta, GA (US); **Donald J. McMichael**, Roswell, GA (US); **Michael A. Schmidt**, Alpharetta, GA (US)
- (73) Assignee: **Avent, Inc.**, Alpharetta, GA (US)
- (\*\*) Term: **15 Years**
- (21) Appl. No.: **29/572,697**
- (22) Filed: **Jul. 29, 2016**

- 4,995,865 A 2/1991 Gahara et al.
- D340,111 S 10/1993 Yoshikawa
- 5,261,879 A 11/1993 Brill
- 5,335,647 A \* 8/1994 Brustad ..... A61B 1/00165  
385/117
- 5,437,637 A \* 8/1995 Lieber ..... A61B 5/028  
600/486
- 5,554,136 A \* 9/1996 Luther ..... A61M 25/003  
604/247
- 5,879,324 A \* 3/1999 von Hoffmann ... A61M 25/104  
604/500
- 5,954,652 A \* 9/1999 Heyman ..... A61M 25/00  
600/249
- 6,019,746 A 2/2000 Picha et al.  
(Continued)

**Related U.S. Application Data**

- (62) Division of application No. 14/089,038, filed on Nov. 25, 2013, now Pat. No. 9,427,378.
- (51) **LOC (11) Cl.** ..... **24-02**
- (52) **U.S. Cl.**  
USPC ..... **D24/127**
- (58) **Field of Classification Search**  
USPC ..... D24/127-131, 112-114, 133, 186;  
606/181, 185; 604/264, 523-528, 272,  
604/187, 158, 164.01-164.11, 181, 184,  
604/227; 600/101, 139, 143;  
128/200.24, 207.14, 207.15  
CPC ..... A61M 25/00; A61M 39/00; A61M 27/00;  
A61M 25/0043; A61M 25/0067; A61M  
25/0097; A61F 2/958  
See application file for complete search history.

(56) **References Cited**

**U.S. PATENT DOCUMENTS**

- D254,444 S 3/1980 Levine
- 4,567,882 A \* 2/1986 Heller ..... A61M 25/01  
128/200.26

**FOREIGN PATENT DOCUMENTS**

- EP 2 486 911 A2 8/2012
- JP H0576451 U 10/1993

*Primary Examiner* — David Muller

(74) *Attorney, Agent, or Firm* — Dority & Manning, P.A.

(57) **CLAIM**

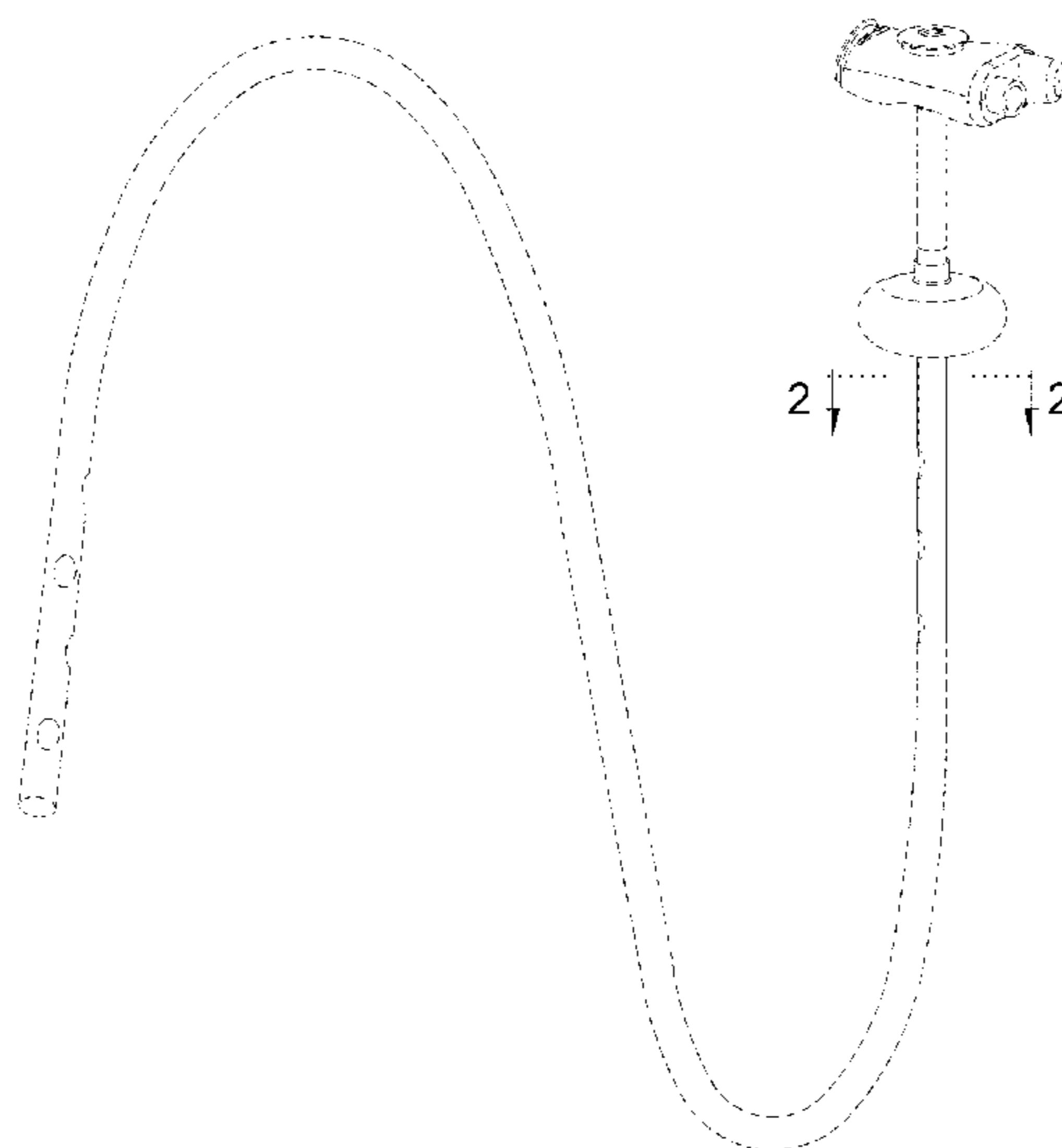
The ornamental design for a catheter tube, as shown and described.

**DESCRIPTION**

FIG. 1 is a perspective view of one embodiment of a device incorporating a catheter tube according to the present design; and,

FIG. 2 is a cross-section view of the catheter tube, taken along the line 2-2 of FIG. 1, according to the present design. Elements shown in the drawings in the form of broken lines form no part of the claimed invention. For instance, the broken lines illustrating features of the device shown in FIG. 1 are merely provided for illustrating the environment in which the catheter tube is used and thereby represent unclaimed environmental subject matter illustrating the design in use and forming no part of the claim.

**1 Claim, 2 Drawing Sheets**



(56)

References Cited

U.S. PATENT DOCUMENTS

6,146,354 A *	11/2000	Beil .....	A61M 25/0032	8,057,428 B2	11/2011	Ricci	
			604/28	D663,415 S	7/2012	Tamura et al.	
D449,378 S	10/2001	Rogone et al.		8,216,294 B2 *	7/2012	Johnson .....	A61F 2/856
6,371,935 B1 *	4/2002	Macoviak .....	A61B 17/12036				606/108
			604/43	8,556,924 B2	10/2013	Liu et al.	
6,979,318 B1	12/2005	McDonald et al.		8,603,049 B2	12/2013	Morris et al.	
7,137,965 B2	11/2006	Fischer et al.		8,609,033 B2	12/2013	Hooper et al.	
7,150,735 B2	12/2006	Hickle		8,641,675 B2	2/2014	Stout et al.	
7,666,172 B2	2/2010	Atil		8,808,235 B2 *	8/2014	Von Oepen .....	A61M 25/003
7,722,548 B2	5/2010	Cervi					604/164.12
7,794,448 B2 *	9/2010	Grandt .....	A61M 25/0009	9,682,219 B2 *	6/2017	Venturelli .....	A61M 25/104
			604/524	2002/0072705 A1	6/2002	Vrba et al.	
7,879,021 B2 *	2/2011	Drewes, Jr. ....	A61M 25/0043	2003/0225369 A1	12/2003	McMichael et al.	
			604/523	2006/0184097 A1	8/2006	Quinn	
7,892,207 B2	2/2011	Simonton		2008/0097350 A1	4/2008	Bell et al.	
7,993,310 B2	8/2011	Rosiello		2009/0270801 A1	10/2009	Shimada et al.	
8,048,099 B2	11/2011	Maliglowka et al.		2011/0098660 A1	4/2011	Porreca, Jr.	
				2012/0089128 A1	4/2012	Rotealla et al.	
				2012/0203171 A1	8/2012	Williams et al.	
				2014/0323966 A1	10/2014	Dziak et al.	

\* cited by examiner

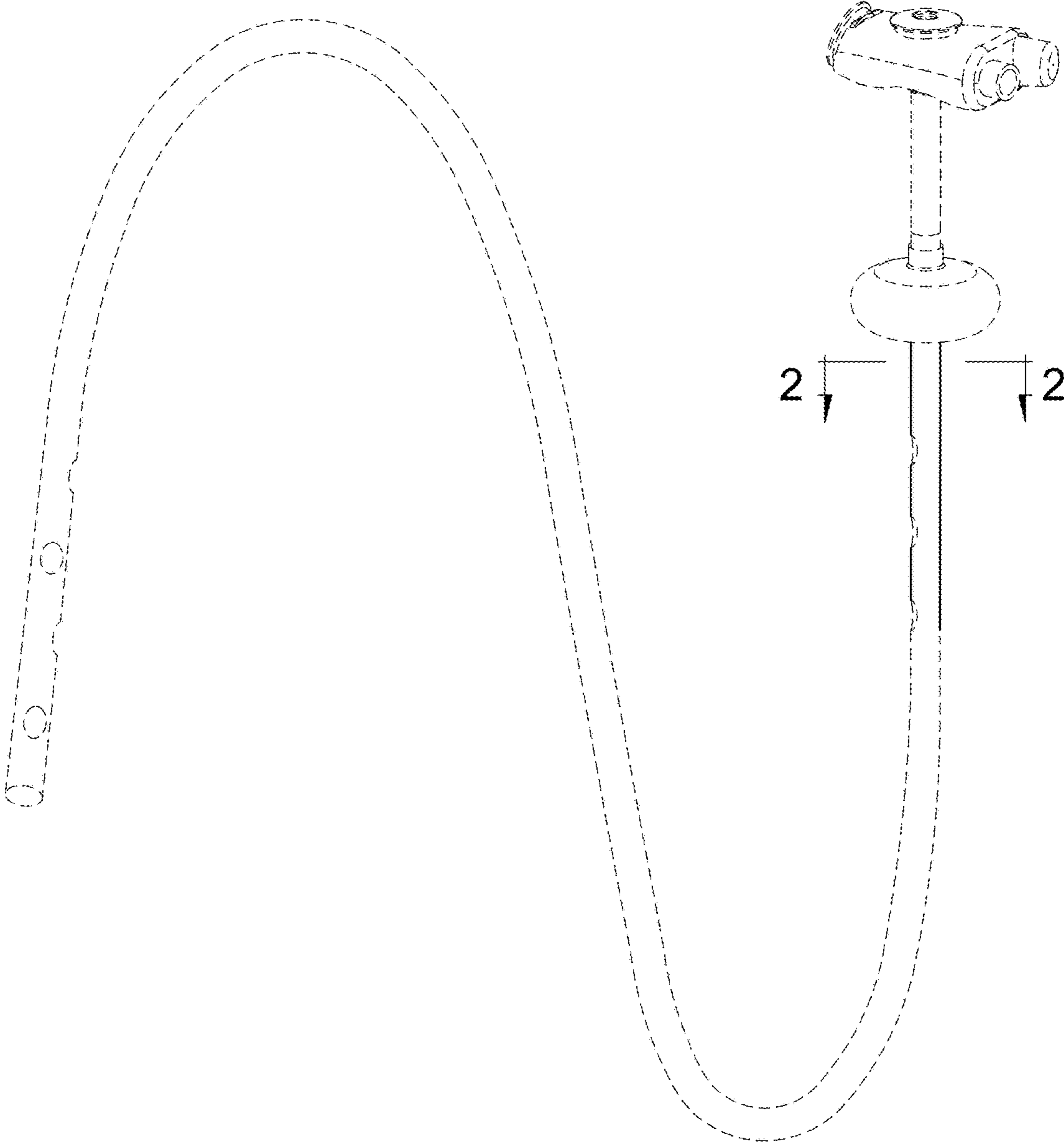


FIG. 1

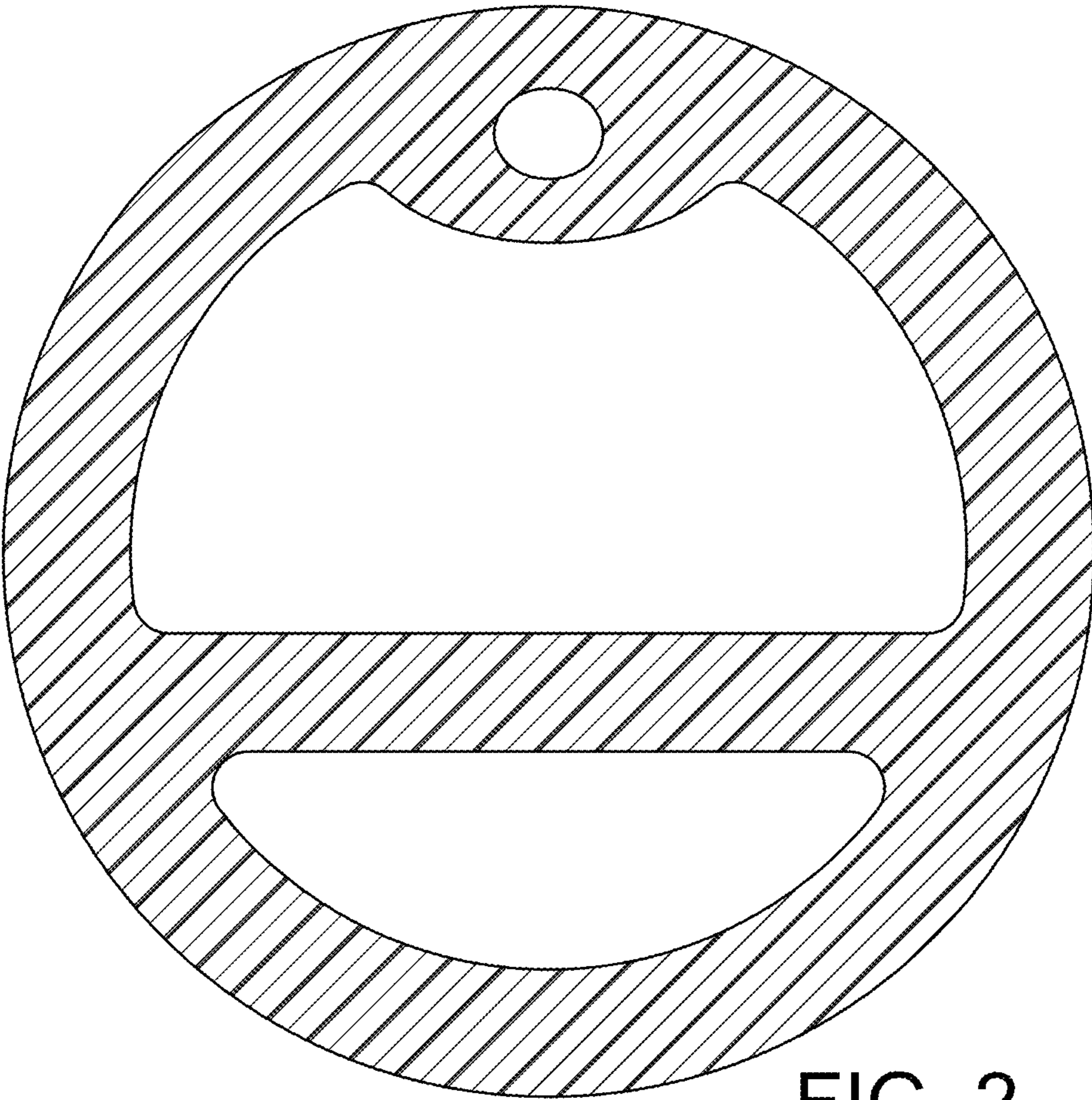


FIG. 2

UNITED STATES PATENT AND TRADEMARK OFFICE  
**CERTIFICATE OF CORRECTION**

PATENT NO. : D816,830 S  
APPLICATION NO. : 29/572697  
DATED : May 1, 2018  
INVENTOR(S) : Dziak et al.

Page 1 of 1

It is certified that error appears in the above-identified patent and that said Letters Patent is hereby corrected as shown below:

On the Title Page

Item (62) Under Related U.S. Application Data "Division of application No. 14/089,038, filed on Nov. 25, 2013, now Pat. No. 9,427,378." should read --Division of application No. 14/089,038, filed on Nov. 25, 2013, now Pat. No. 9,427,378, which claims priority to provisional application No. 61/817,549, filed on April 30, 2013.--

Signed and Sealed this  
Seventh Day of December, 2021



Drew Hirshfeld  
*Performing the Functions and Duties of the  
Under Secretary of Commerce for Intellectual Property and  
Director of the United States Patent and Trademark Office*