



US00D816827S

(12) **United States Design Patent**  
**Copparstad**

(10) **Patent No.:** **US D816,827 S**

(45) **Date of Patent:** **\*\* May 1, 2018**

(54) **AIR CONDITIONER DUET**

(71) Applicant: **Electrolux Appliances Aktiebolag**,  
Stockholm (SE)

(72) Inventor: **Emme Copparstad**, Stockholm (SE)

(73) Assignee: **Electrolux Appliances Aktiebolag**,  
Stockholm (SE)

(\*\*) Term: **15 Years**

(21) Appl. No.: **29/591,921**

(22) Filed: **Jan. 25, 2017**

(30) **Foreign Application Priority Data**

Jul. 25, 2016 (CN) ..... 2016 3 0343043

(51) **LOC (11) Cl.** ..... **23-03**

(52) **U.S. Cl.**  
USPC ..... **D23/393**

(58) **Field of Classification Search**  
USPC ..... D23/393, 499, 386-389, 314, 392;  
296/208; 138/157, 138, 155, 128, 158,  
138/167, 168

CPC .. B60H 1/00564; F24F 13/02; F24F 13/0245;  
F24F 13/20; F16L 9/003

See application file for complete search history.

(56) **References Cited**

**U.S. PATENT DOCUMENTS**

4,183,379 A \* 1/1980 Marquette ..... F16L 9/003  
138/149  
D297,158 S \* 8/1988 Marton ..... D23/387

D328,345 S \* 7/1992 Ganse ..... D23/393  
6,957,670 B1 \* 10/2005 Kajino ..... F16L 9/003  
138/119  
D569,962 S \* 5/2008 Nishio ..... D23/393  
D576,721 S \* 9/2008 Nishio ..... D23/393  
D576,722 S \* 9/2008 Nishio ..... D23/393  
D586,454 S \* 2/2009 Nishio ..... D23/393

\* cited by examiner

*Primary Examiner* — Cynthia Ramirez

*Assistant Examiner* — Gino Colan

(74) *Attorney, Agent, or Firm* — Banner & Witcoff, Ltd.

(57) **CLAIM**

The ornamental design for an air conditioner duct, as shown and described.

**DESCRIPTION**

FIG. 1 is a front perspective view of an air conditioner duct showing my new design;

FIG. 2 is a front elevation view thereof;

FIG. 3 is a rear elevation view thereof;

FIG. 4 is a left side elevation view thereof;

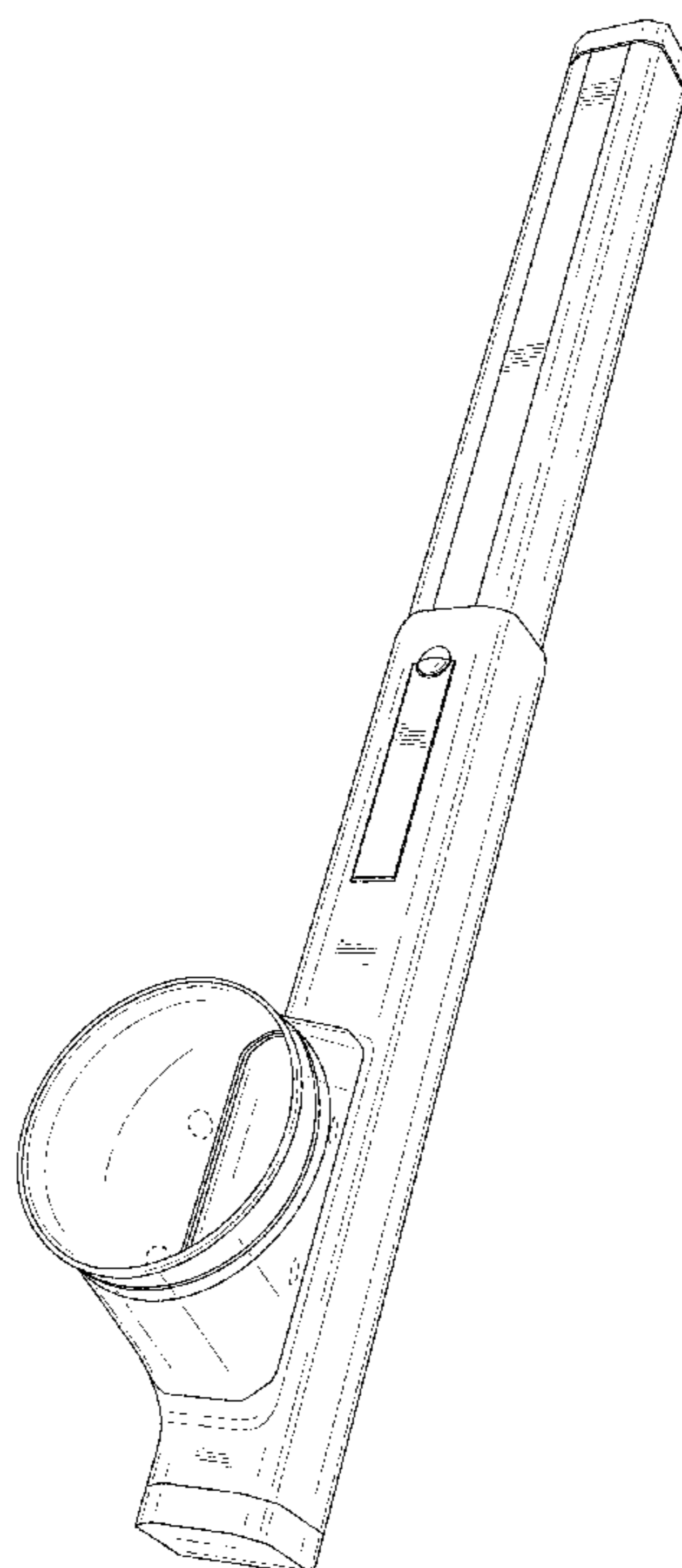
FIG. 5 is a right side elevation view thereof;

FIG. 6 is a top plan view thereof; and,

FIG. 7 is a bottom plan view thereof.

The broken lines shown in the figures are included for the purpose of illustrating portions of the air conditioner duct and form no part of the claimed design.

**1 Claim, 6 Drawing Sheets**



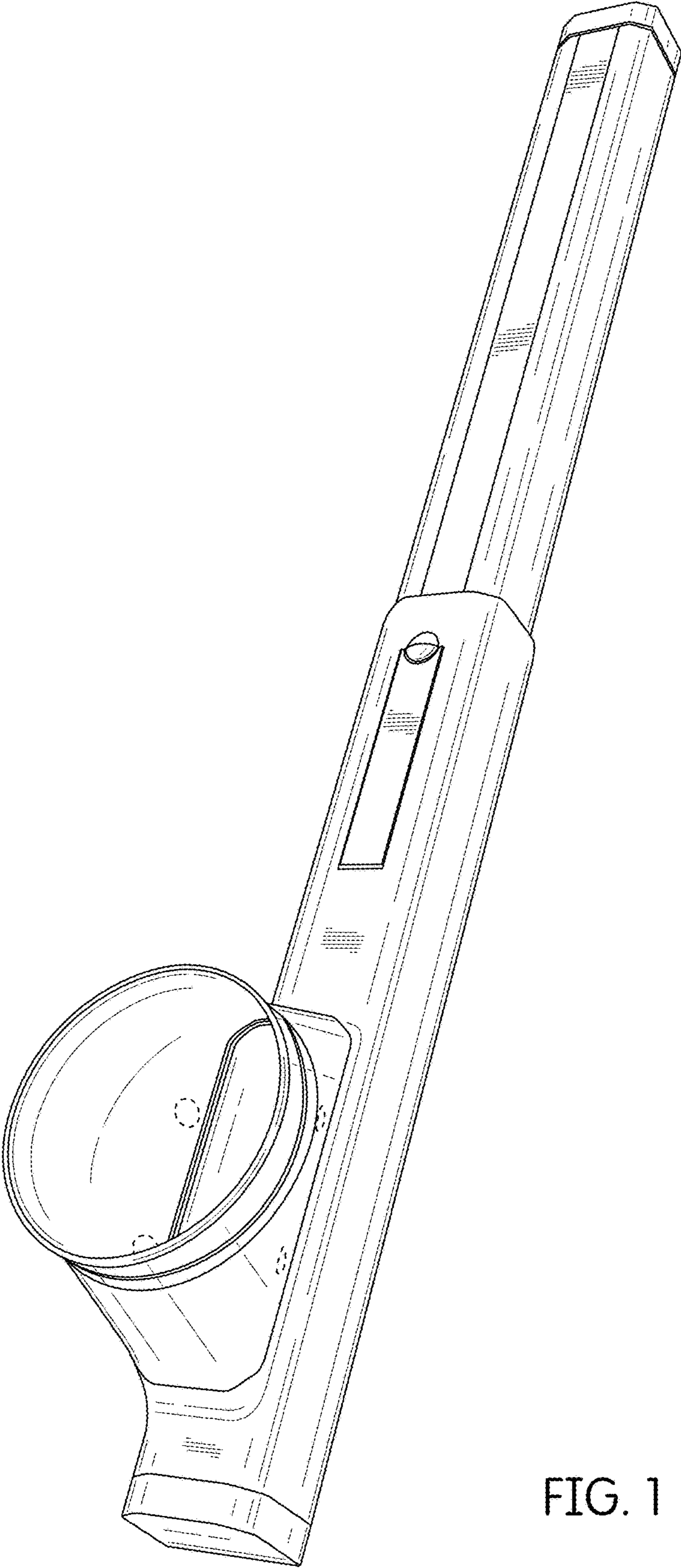


FIG. 1

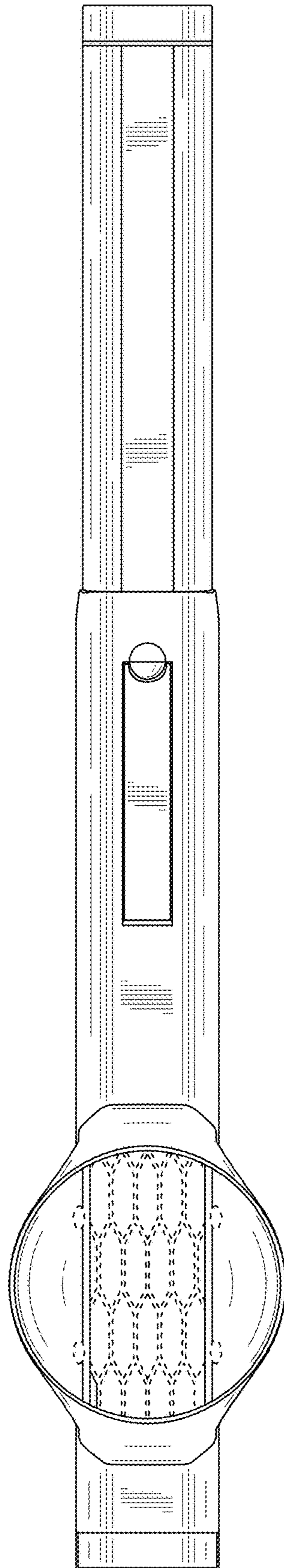


FIG. 2

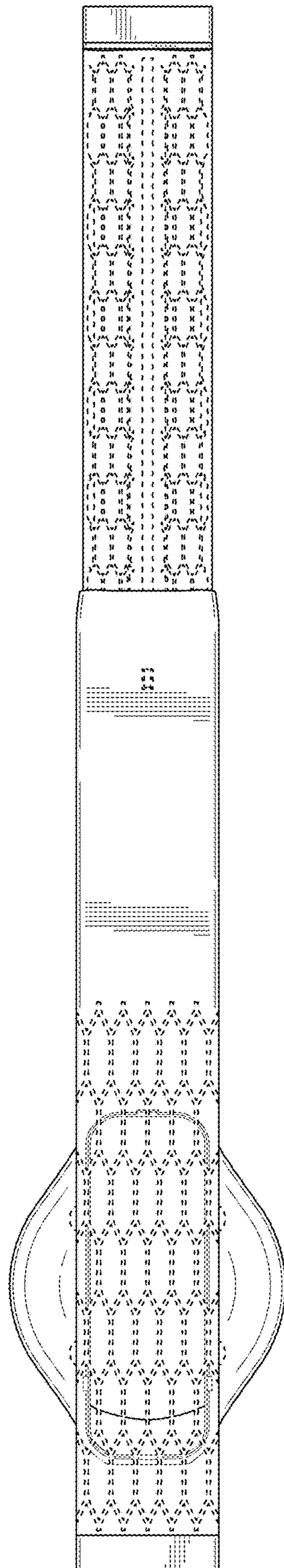


FIG. 3

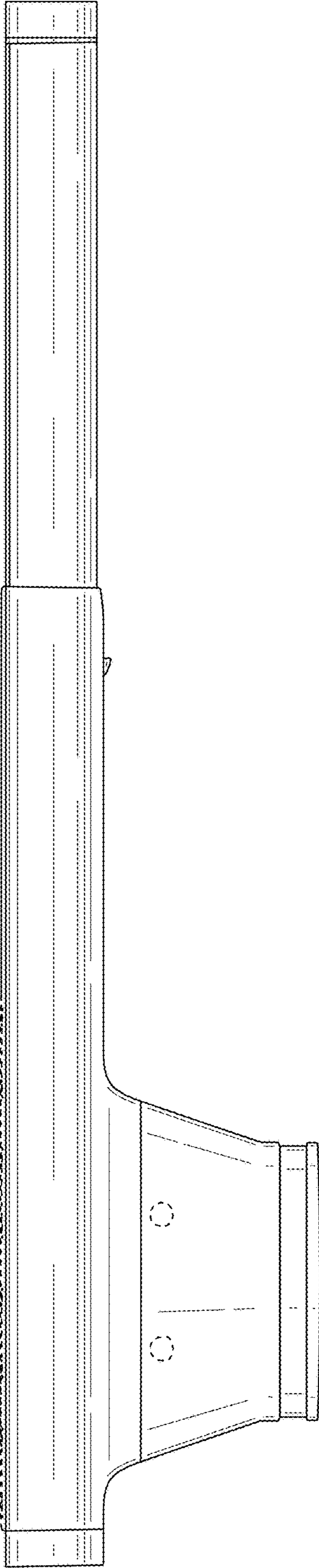


FIG. 4

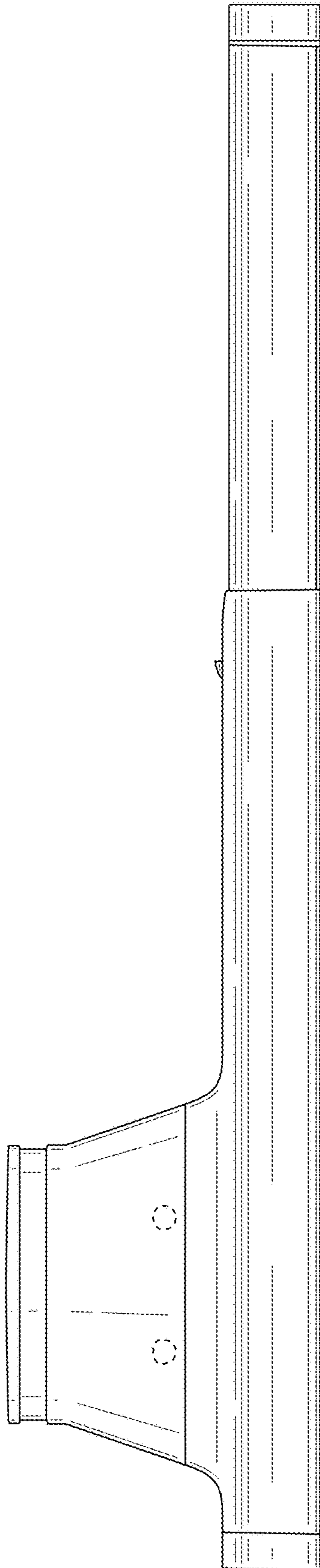


FIG. 5

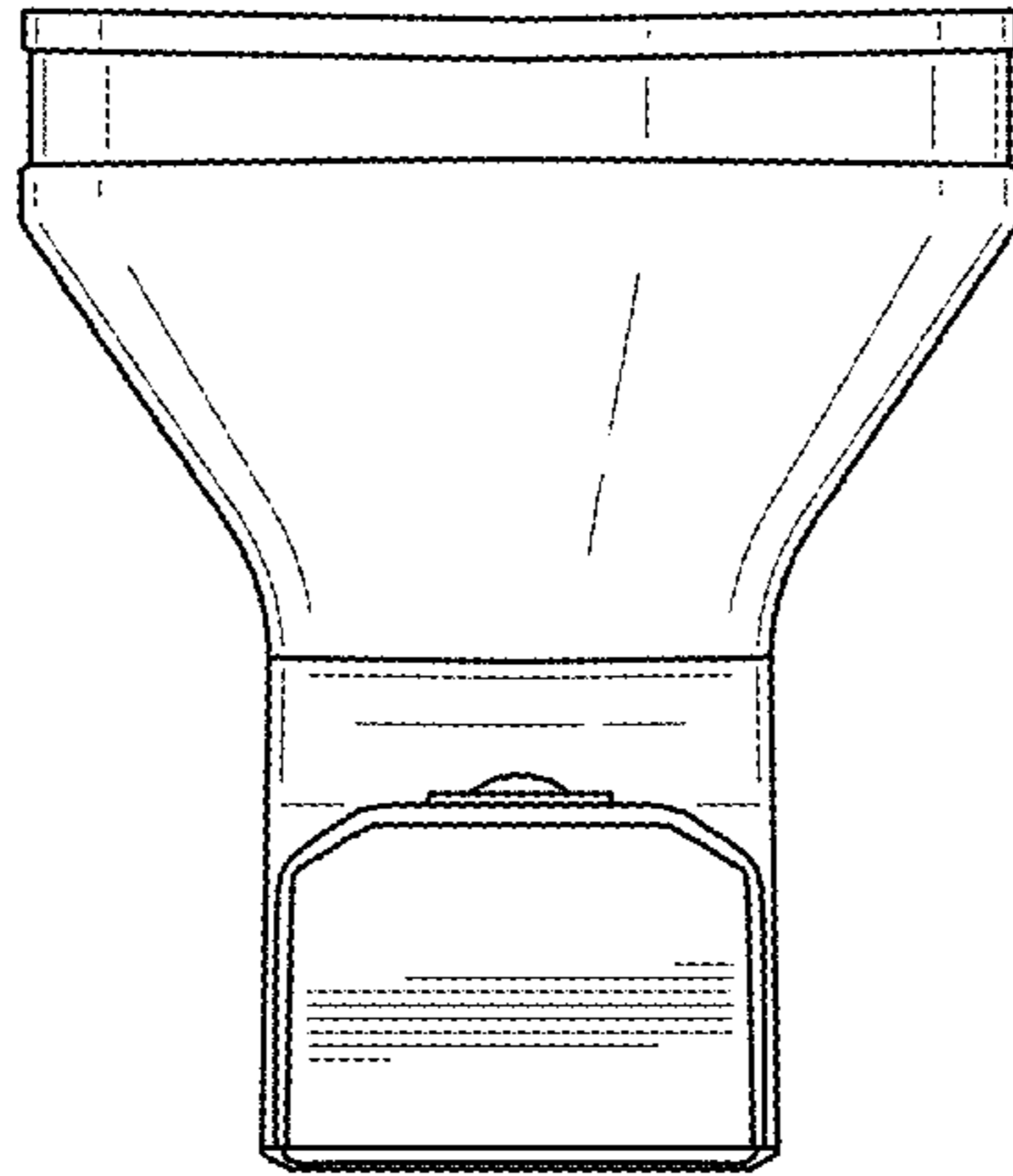


FIG. 6

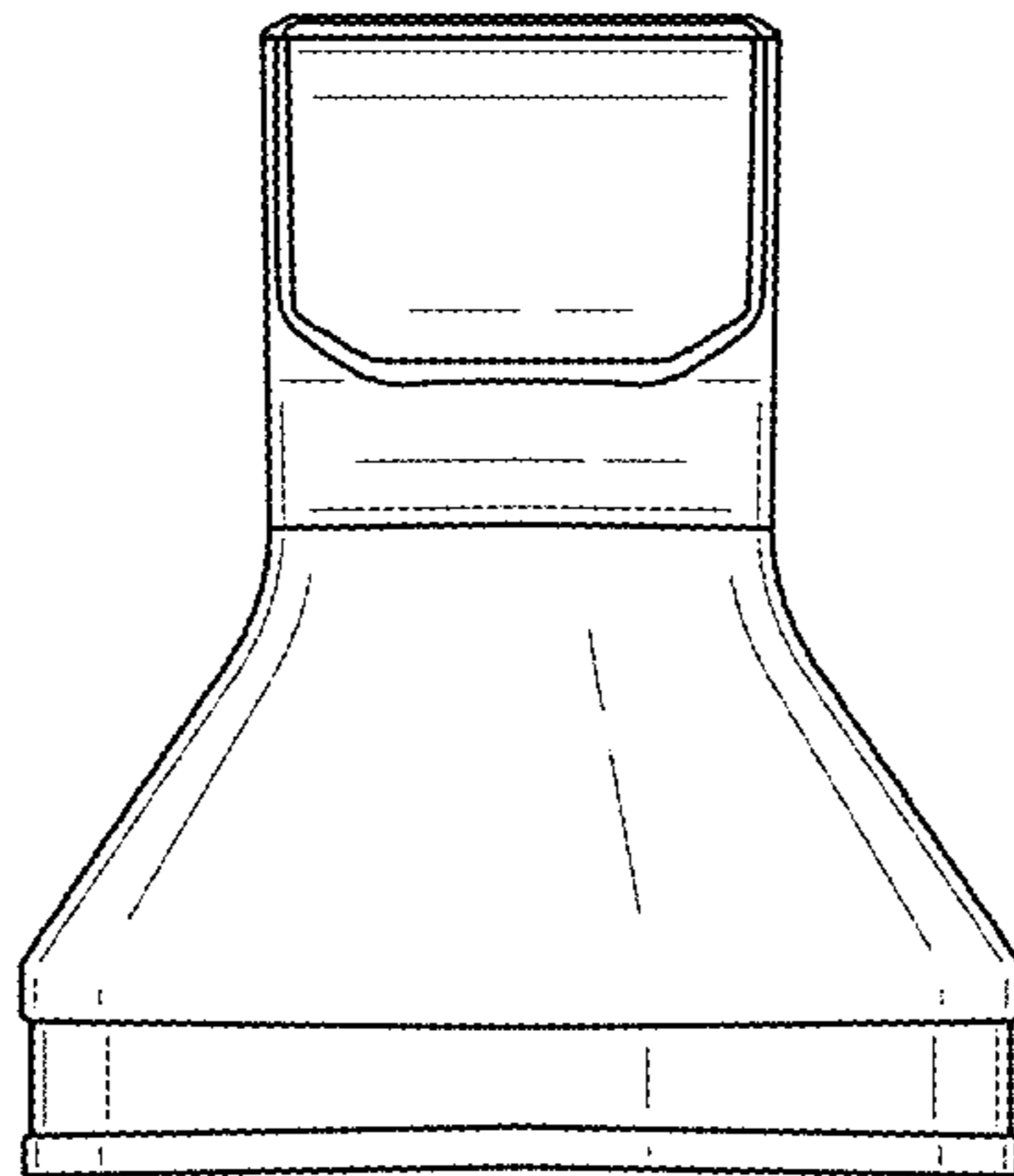


FIG. 7